



TREKHAKEN • ATTELAGES • ANHÄNGERVORRICHTUNGEN • TOWBARS • ENHANCES • ANHÆNGERTRÆK

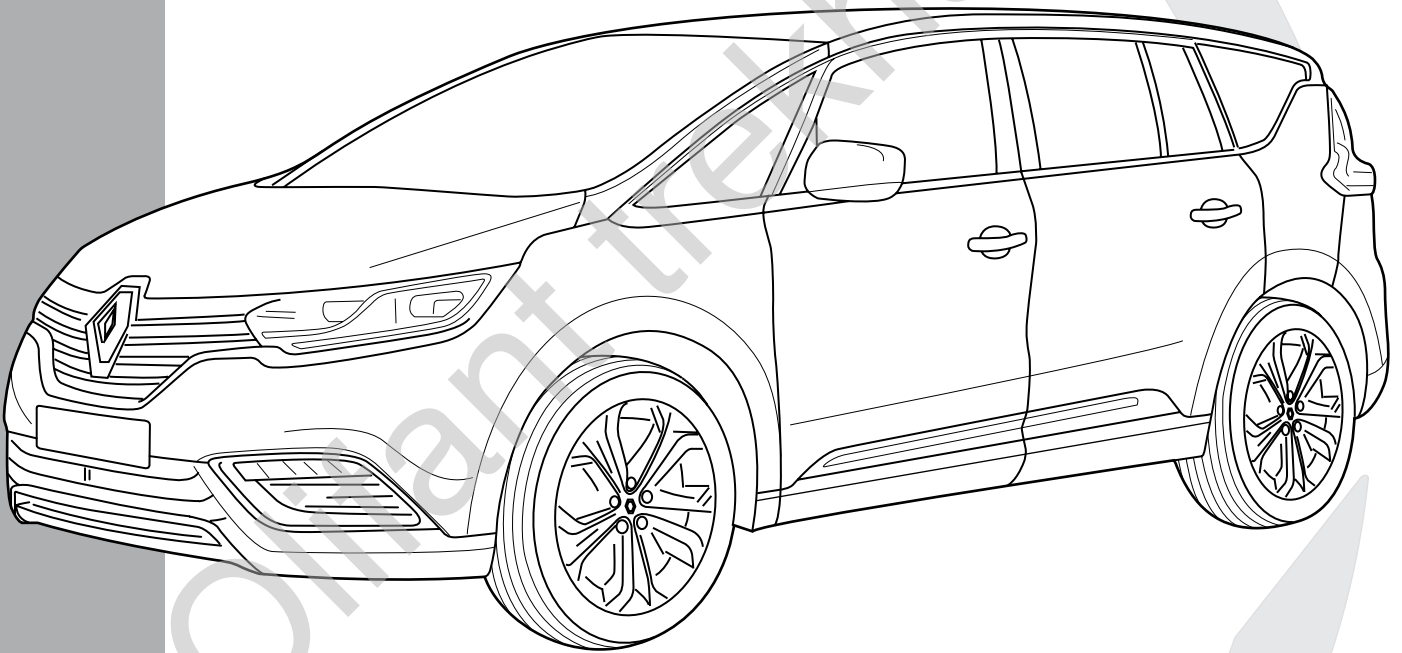
Montagehandleiding | instructions de montage | Einbauanleitung | Mounting instruction  
Instrucciones de montaje | monteringsvejledning




# Renault Espace V

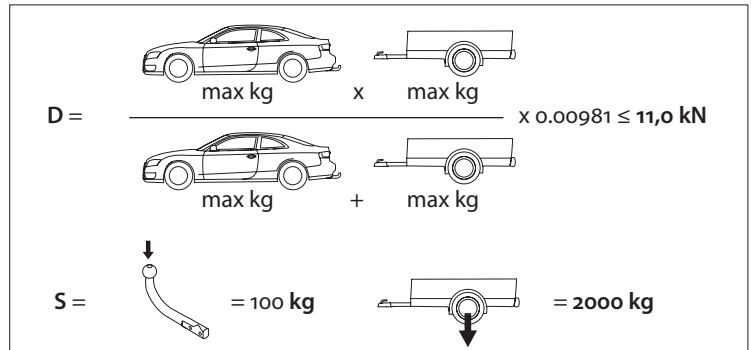
04/'15-

- ✓ STANDARD
- ✓ AD BLUE
- ✓ 'HANDSFREE TAILGATE'

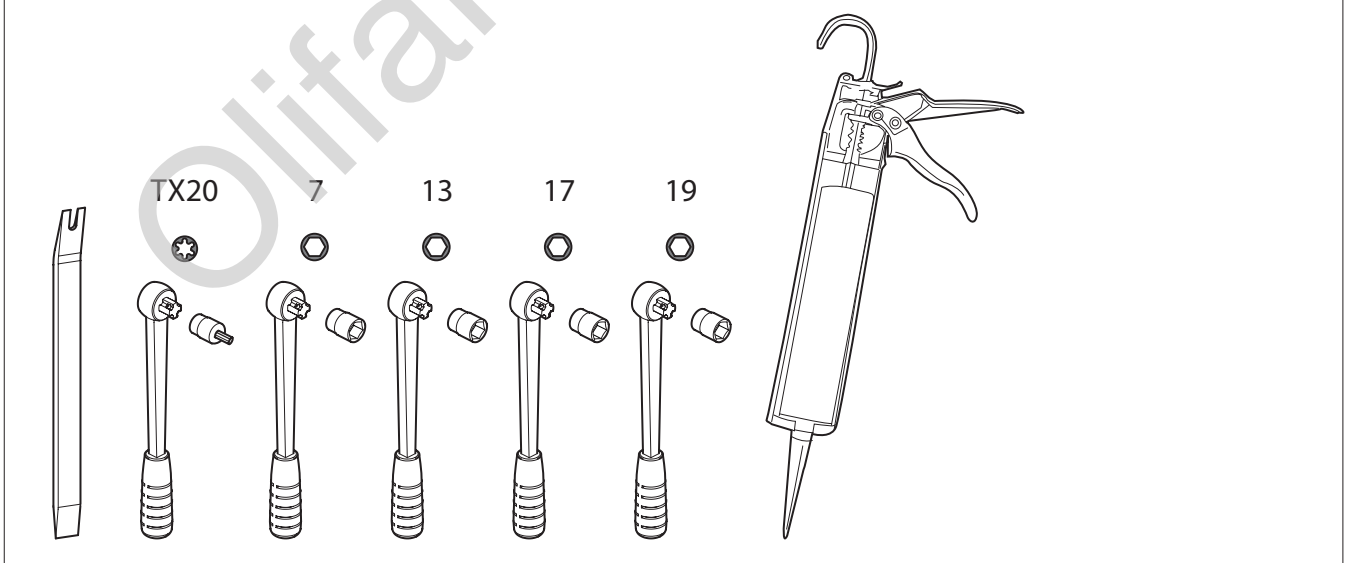
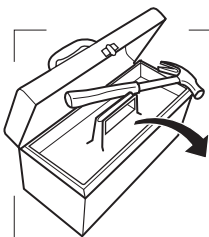


See the Certificate Of Conformity (COC) of your vehicle or contact your dealer to verify the max. trailer weight of your car!

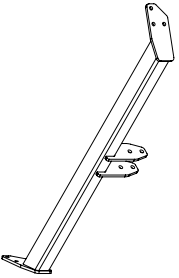
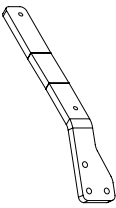
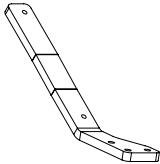
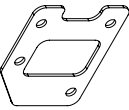






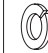

MADE BY	D11,0	F	E6
	EC APPROVAL N°		
BELGIUM	S 100	55R-011271	
REF N°	SERIE N°		
2094T60			
OMSCHRIJVING			
Renault Espace V 04/'15-			

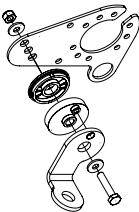

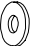


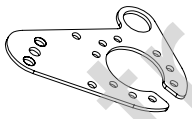

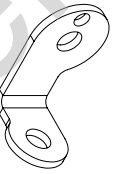


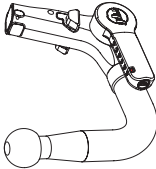

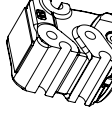


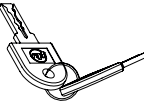

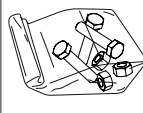




	M 6	M 8	M 10		M 12			M 14		M 16
	1	1,25	1,5	(1,25)	1,75	(1,5)	(1,25)	1,75	(1,5)	2
<b>8.8</b>	11,3 Nm	27,3 Nm	54,0 Nm	57,0 Nm	93,0 Nm	97,0 Nm	101,0 Nm	148,0 Nm	159,0 Nm	230,0 Nm
<b>10.9</b>	16,5 Nm	40,1 Nm	79,0 Nm	83,0 Nm	137,0 Nm	143,0 Nm	149,0 Nm	218,0 Nm	234,0 Nm	320,0 Nm
<b>12.9</b>	19,3 Nm	46,9 Nm	93,0 Nm	98,0 Nm	160,0 Nm	167,0 Nm	174,0 Nm	255,0 Nm	274,0 Nm	395,0 Nm



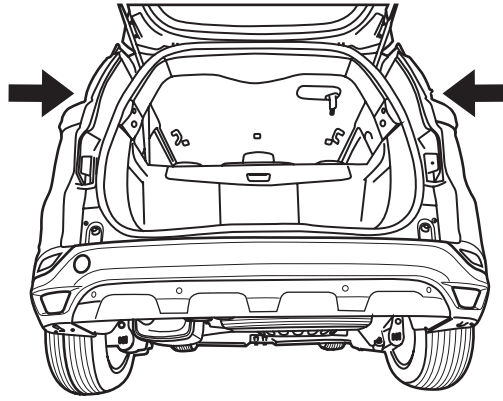


1		X1	GDW REF. 2094T60
2		X1	GDW REF. 2
3		X1	GDW REF. 3
4		X2	GDW REF. 4
5		X4	DIN933-M12X30
6		X4	DIN9021-M12-ELVZ
7		X6	DIN125-A10-140HV- ELVZ
8		X6	DIN128A-M10
9		X6	DIN933-M10X40
10		X6	DIN934-M10
11		X4	DIN128A-M12
-5		X1	GDW REF. 900.053

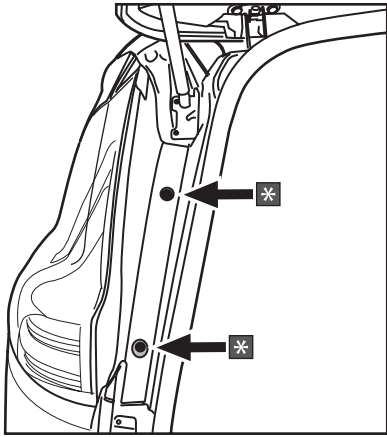
P		X1	GDW REF. P41
└		X1	DIN985-M6
└		X2	6,2 X 15,4 X 1,6 (NYLON)
└		X1	GDW REF. 718.16.002
└		X1	GDW REF. 718.16.003
└		X1	GDW REF. 908.094
└		X1	DIN933-M6 X 30
└		X1	GDW REF. 908.097

<p>Geleverd met - Livré avec - Delivered with          Geliiefert mit - Elementos adjuntos-Leveres med</p>		X1	GDW REF. 960.V0808	
	└		X1	GDW REF. 740.200
			X1	GDW REF. 912.003
	└		X1	GDW REF. 740.112
	└		X1	GDW REF. 740.111
			X1	GDW REF. 740.114
			X1	GDW REF. 718.15.001
			X1	GDW REF. SYST60-200
	└		X2	DIN933-M12 X 25
	└		X2	DIN933-M12 X 20
	└		X4	Ø 14 X 24 X 1
└		X4	DIN128A-M12	

1

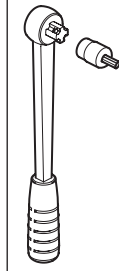


1

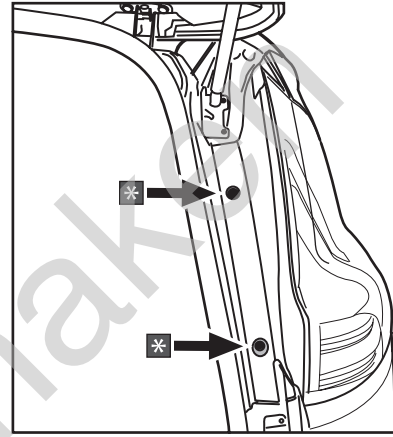


\*

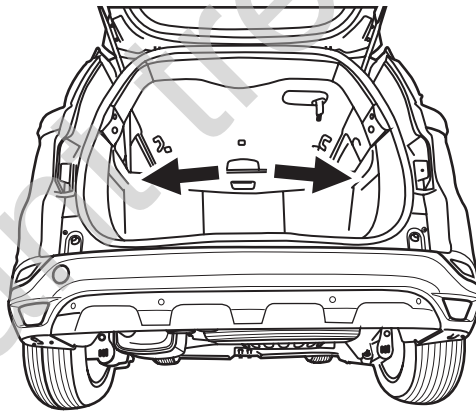
TX20



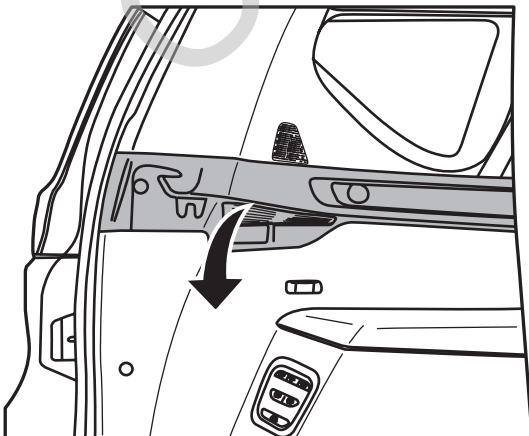
2



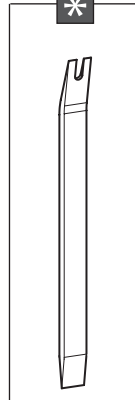
2



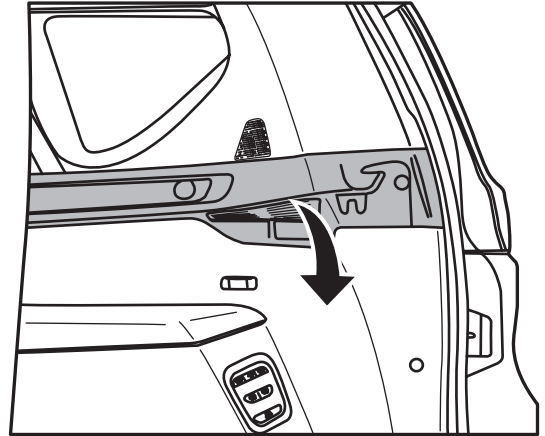
1



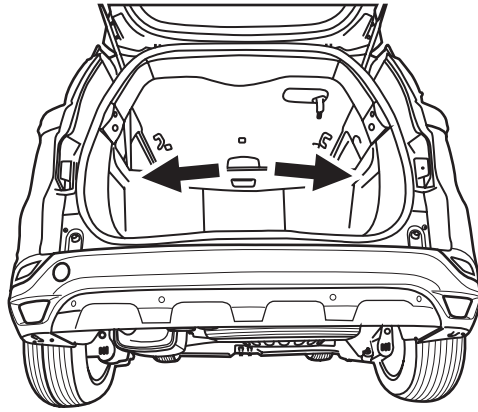
\*



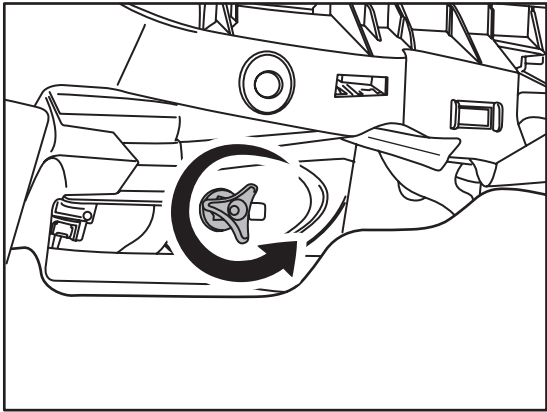
2



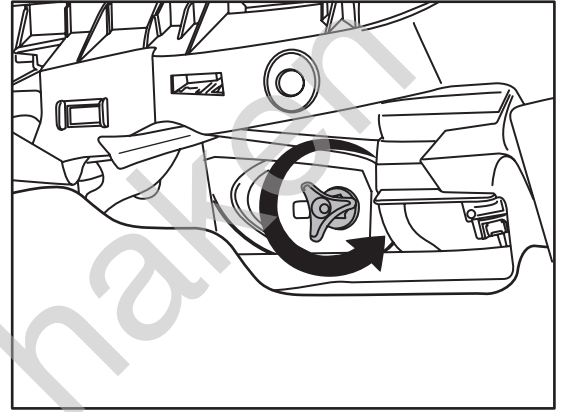
3



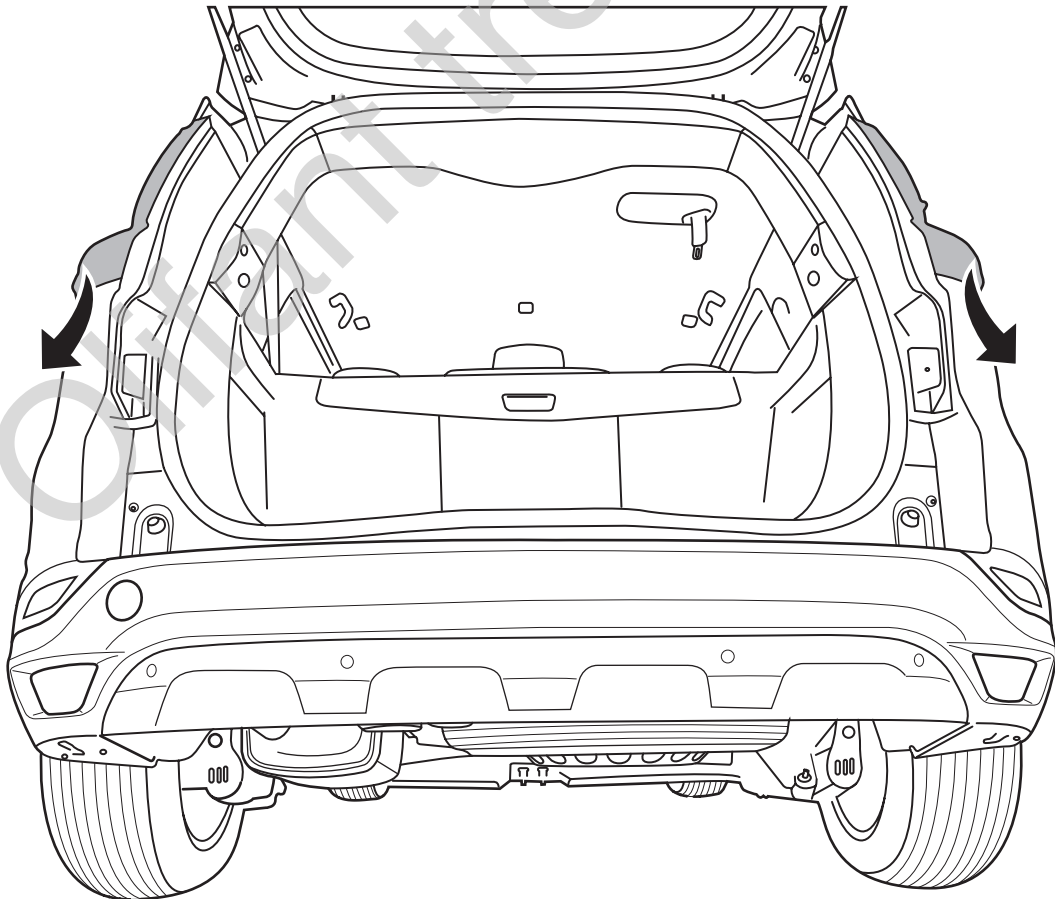
1



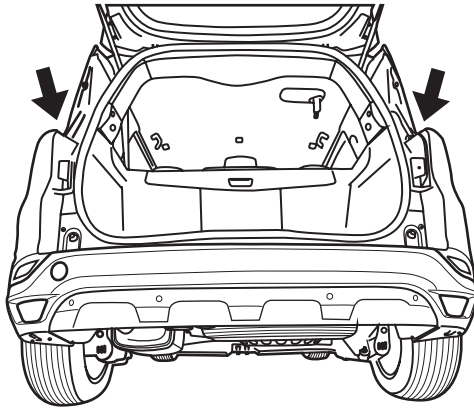
2



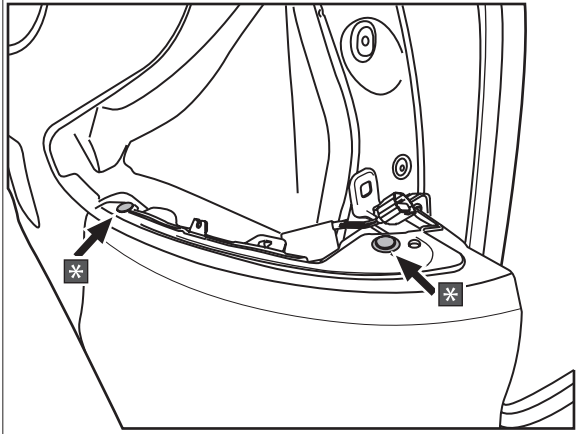
4



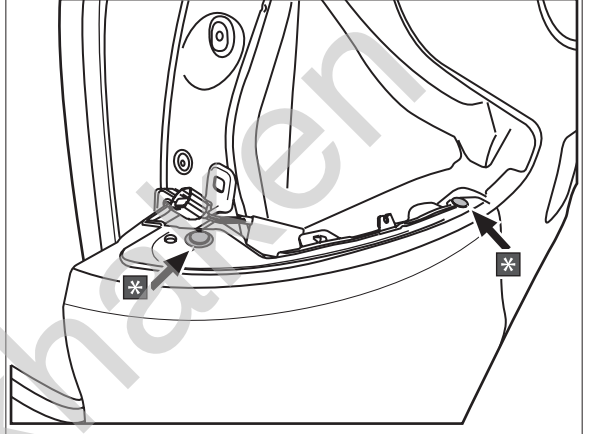
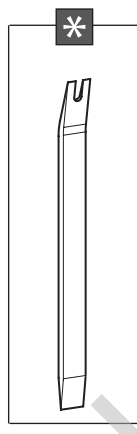
5



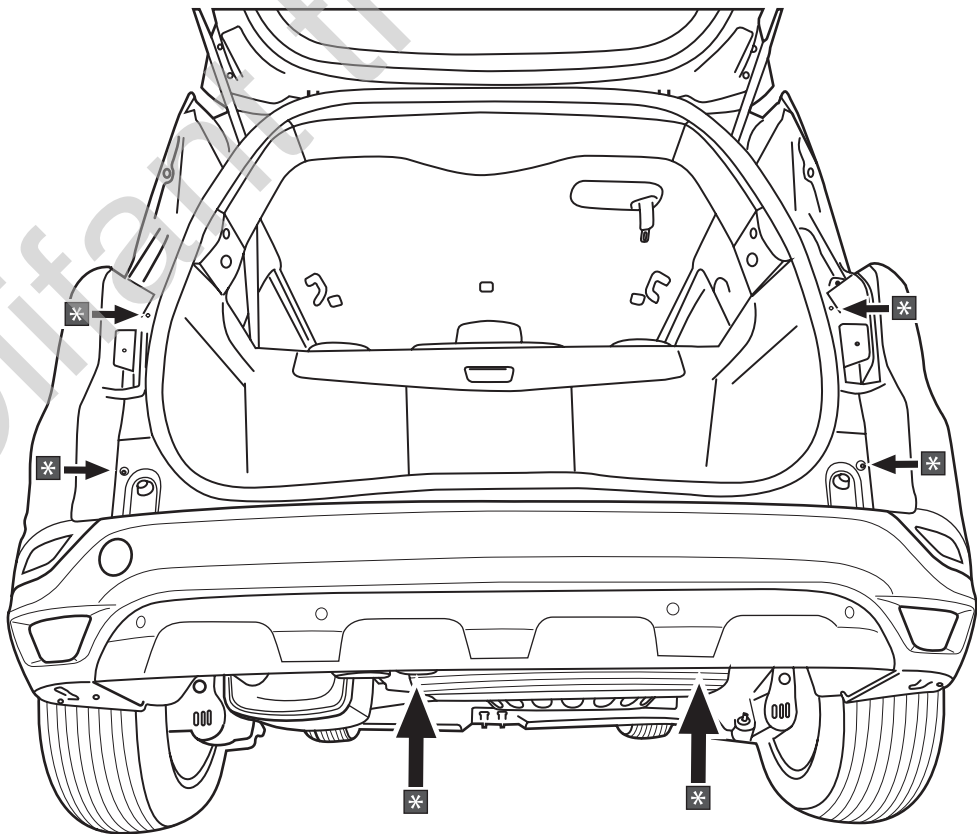
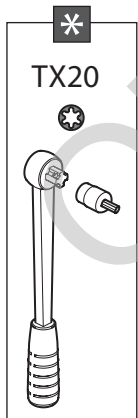
1



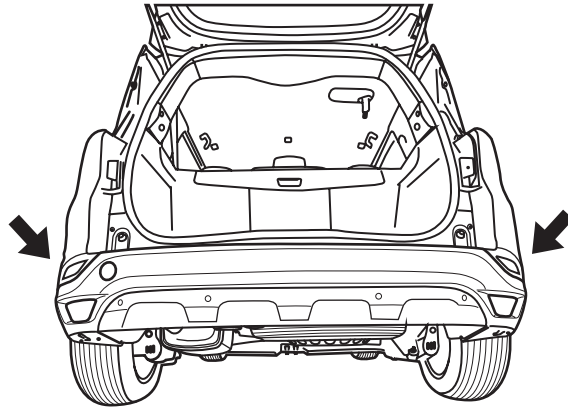
2



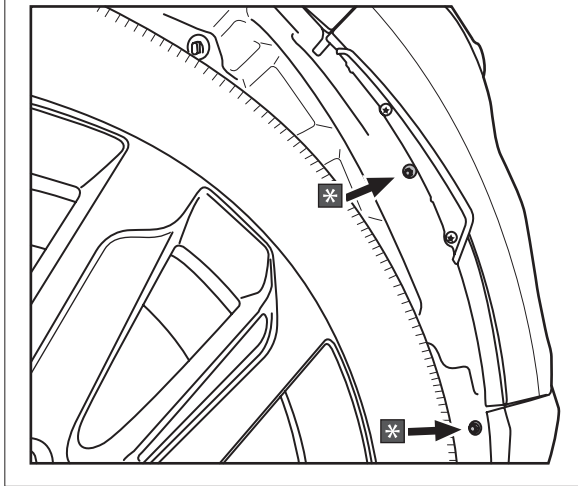
6



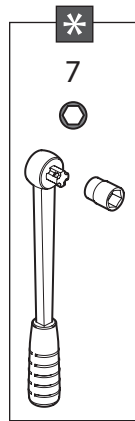
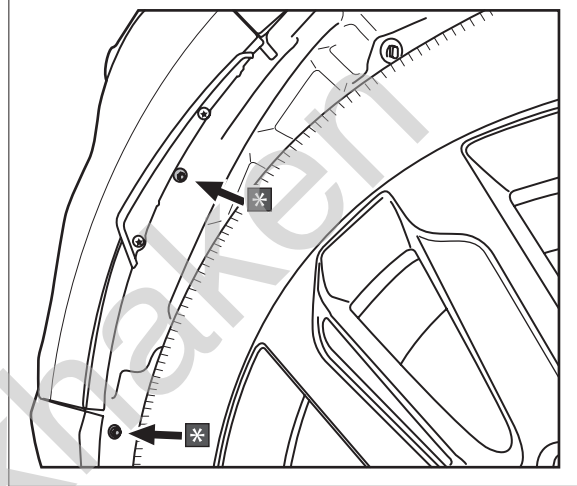
7



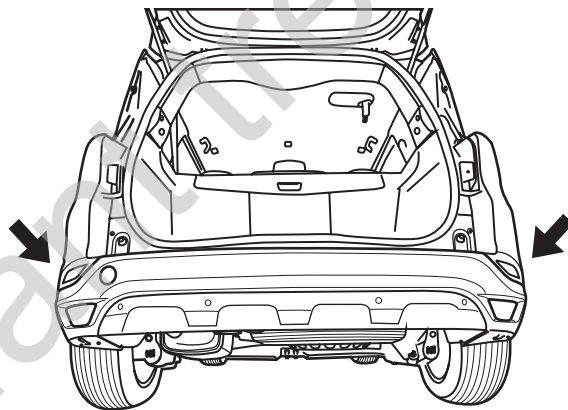
1



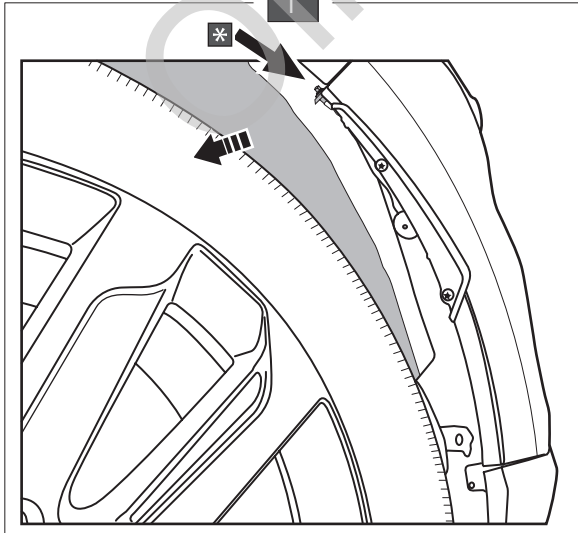
2



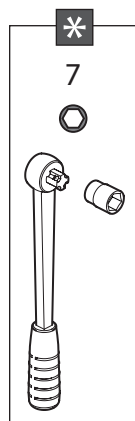
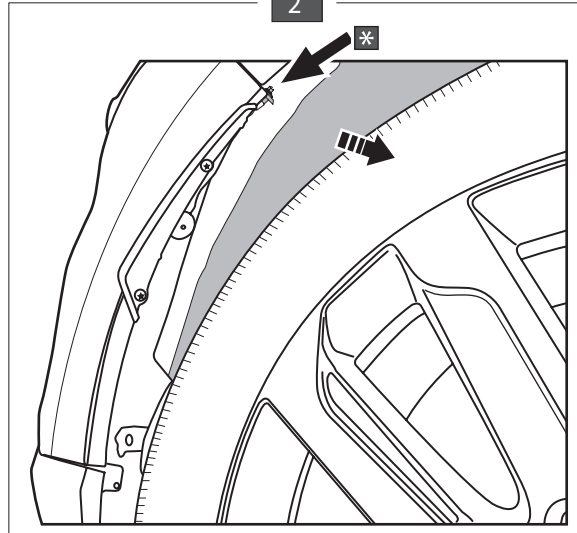
8



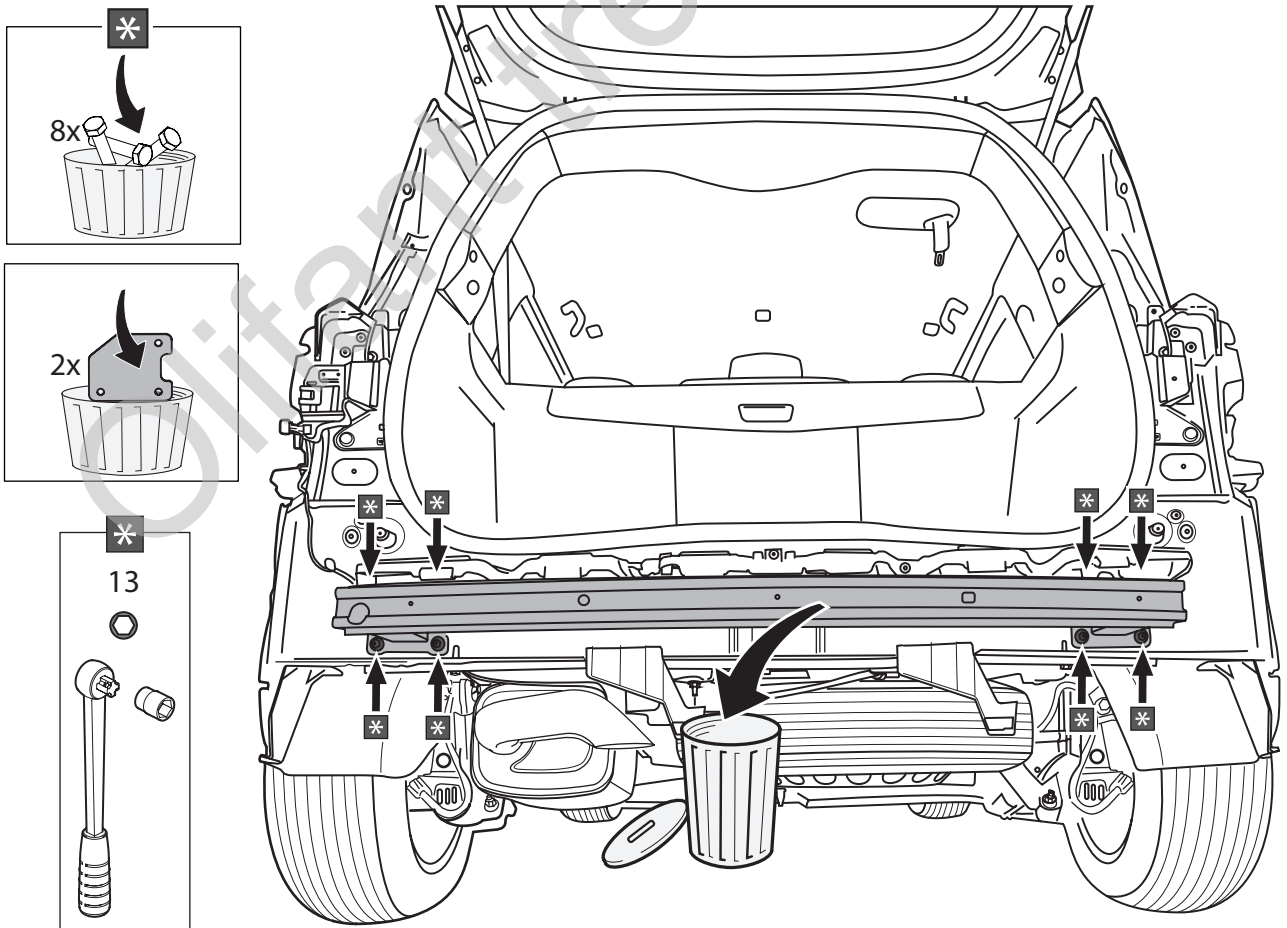
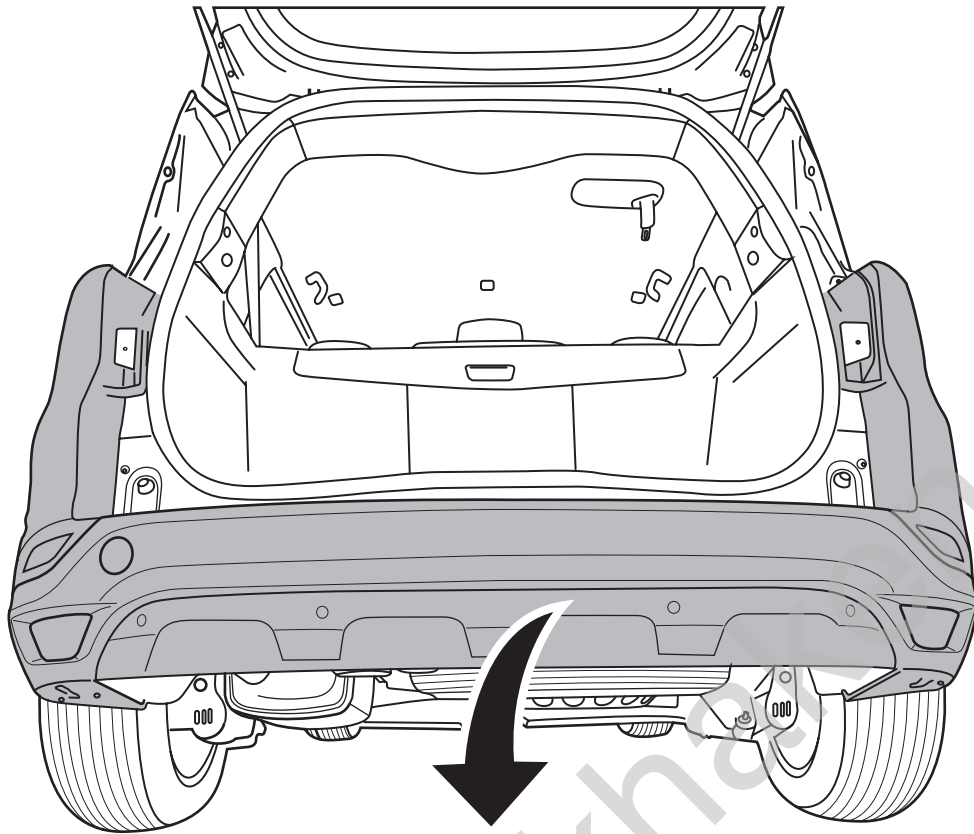
1

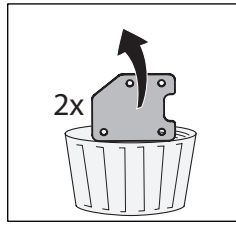


2



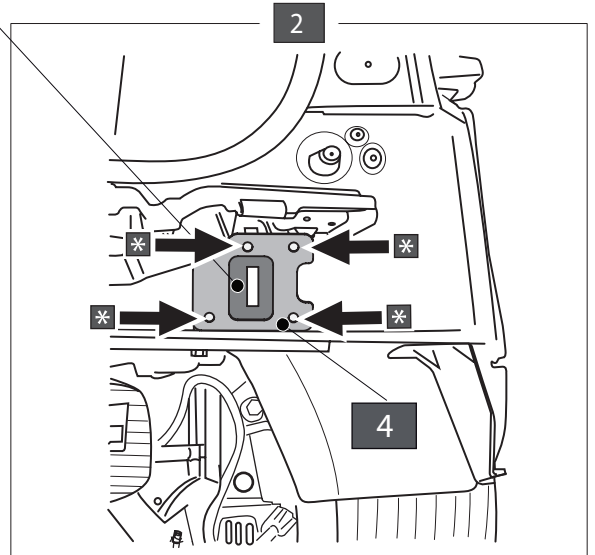
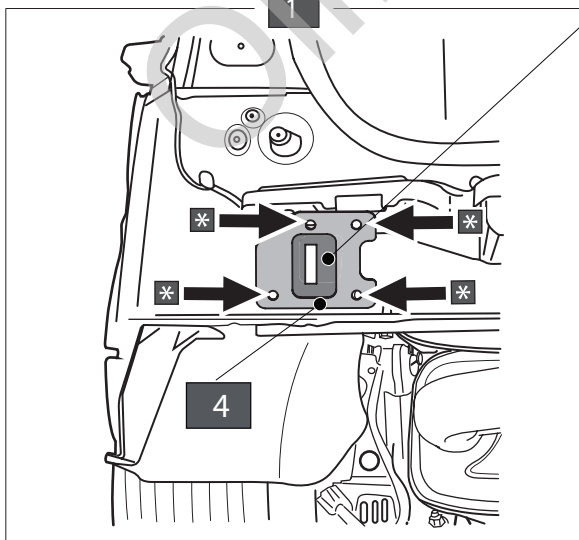
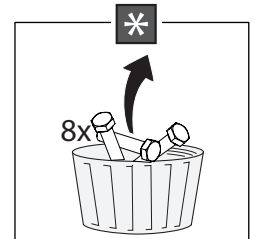
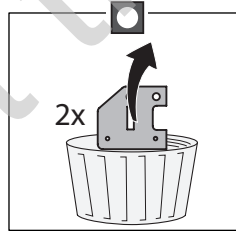
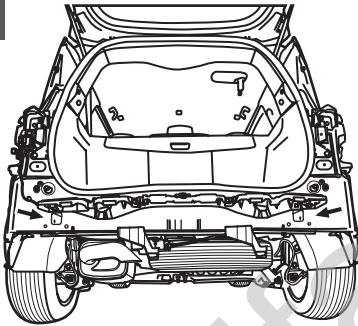
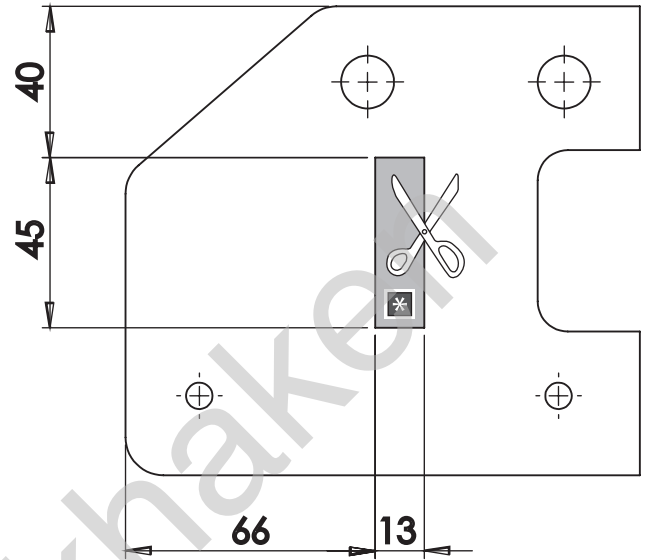
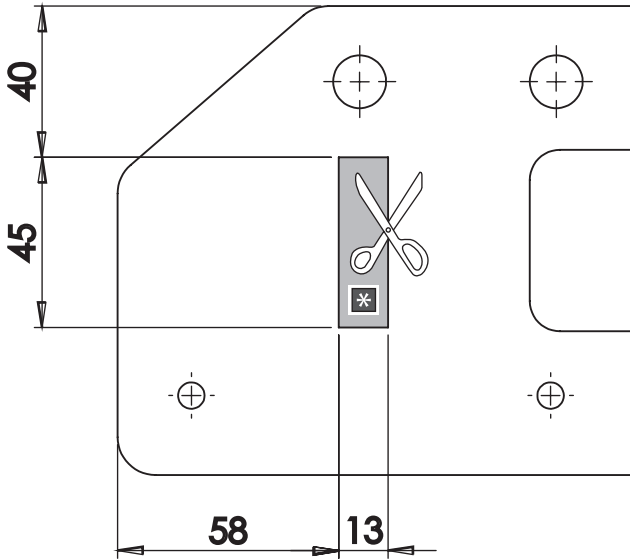


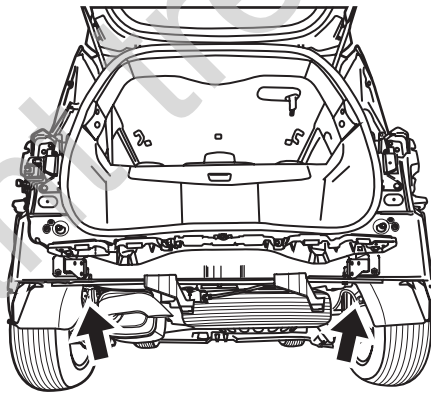
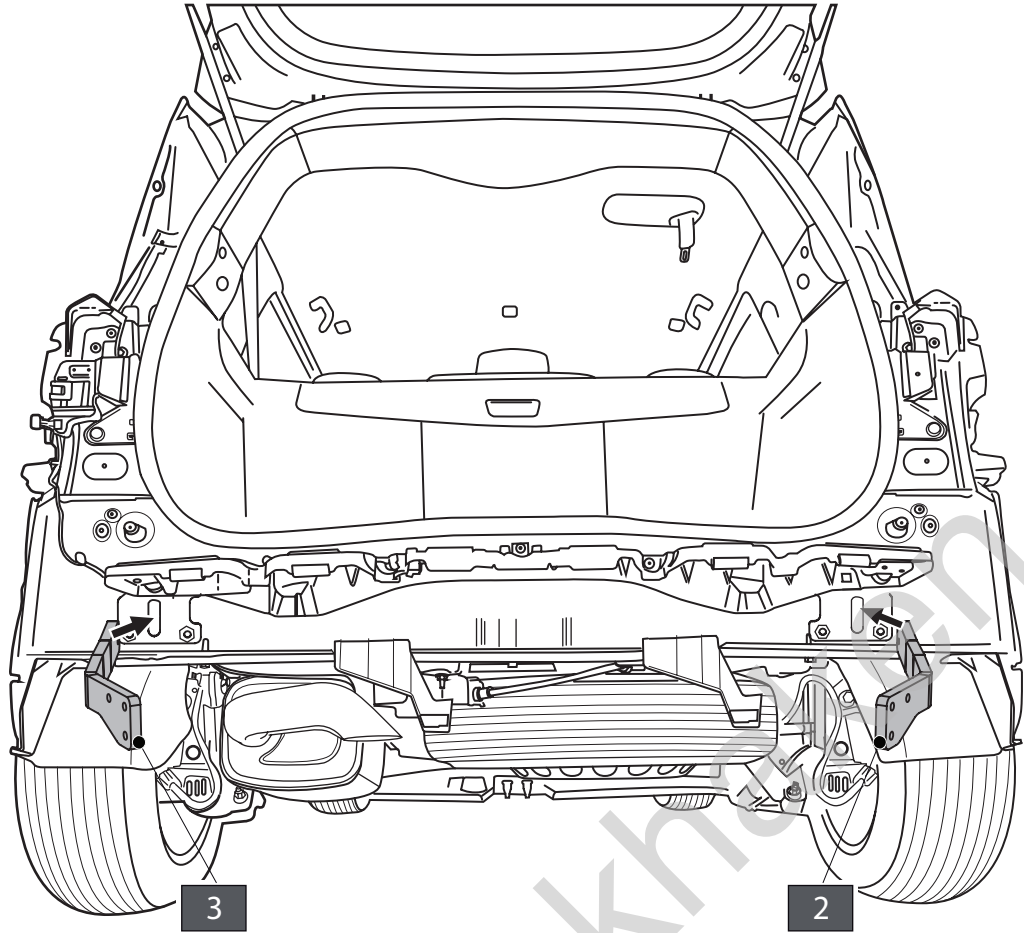




L

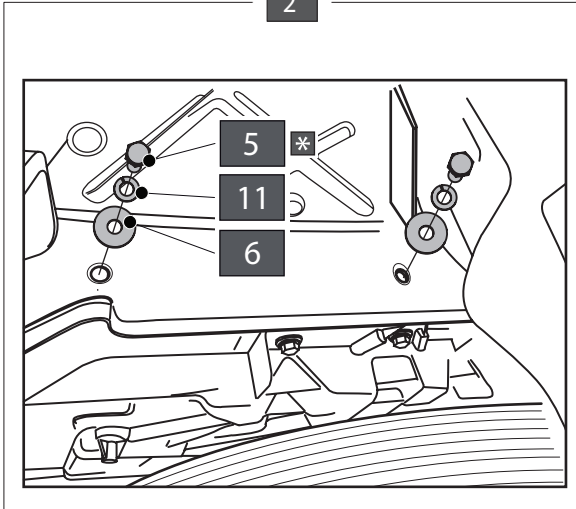
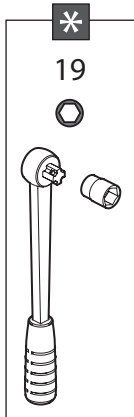
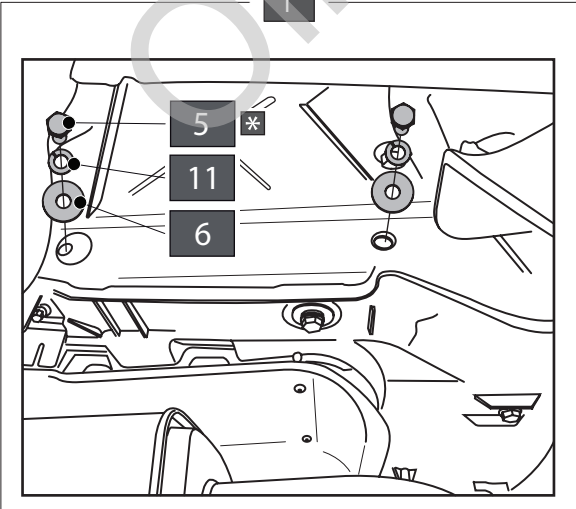
R

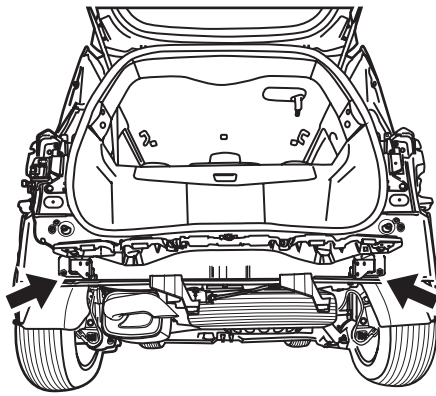




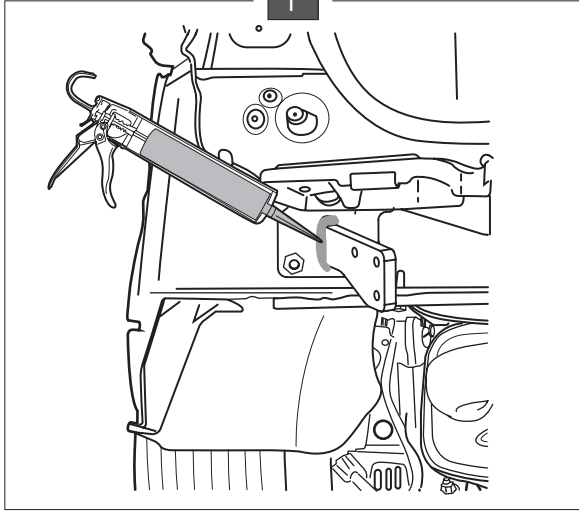
1

2

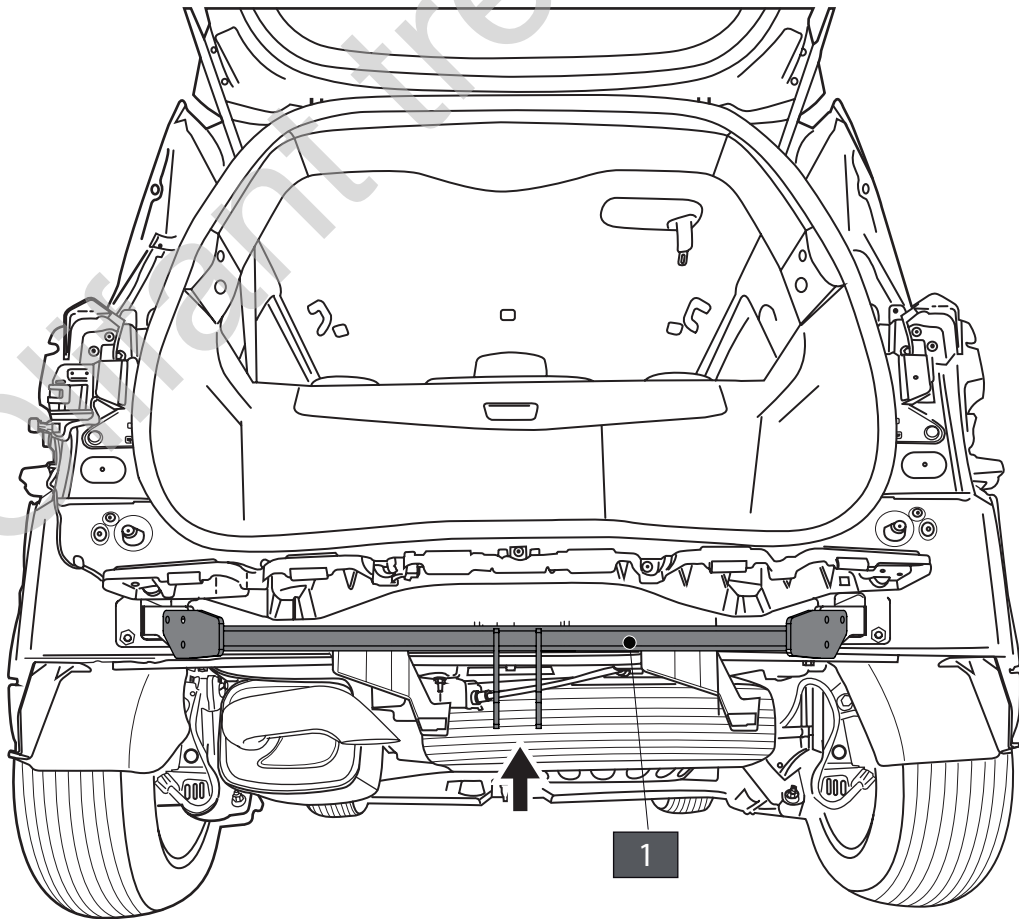
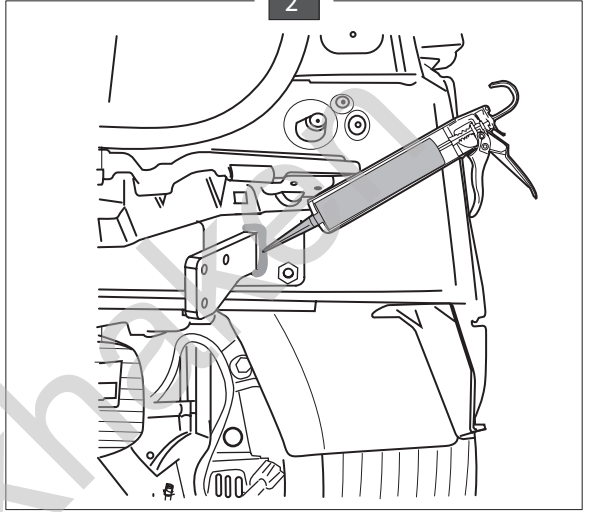




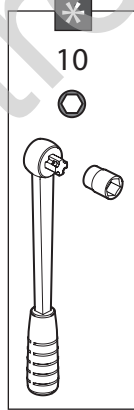
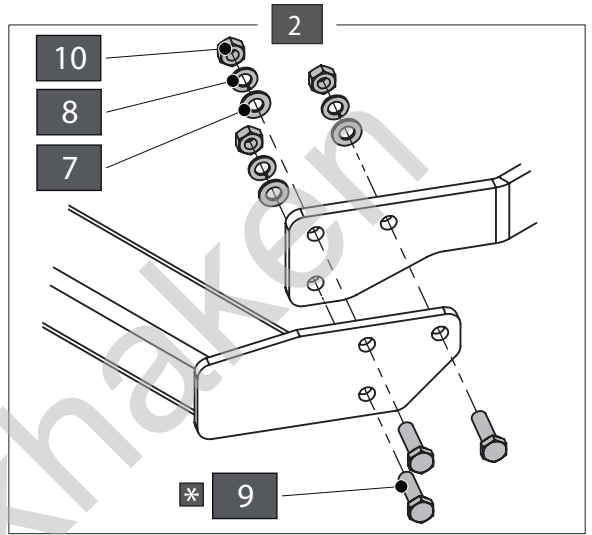
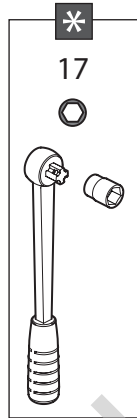
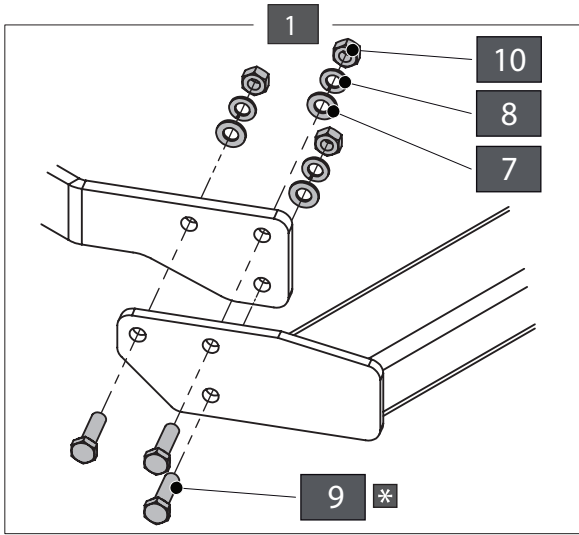
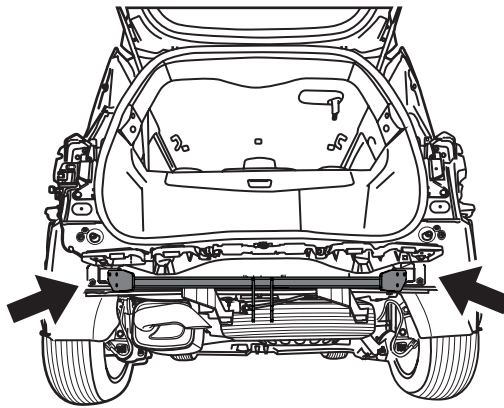
1







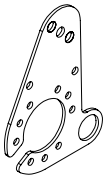
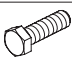
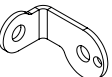
2

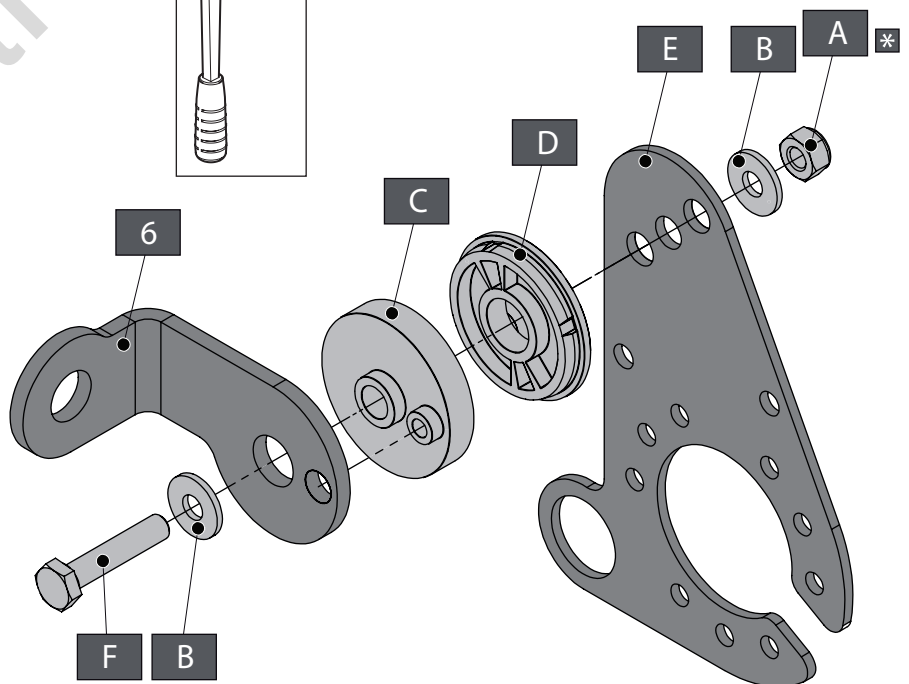


1

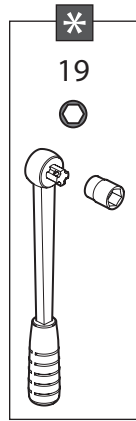
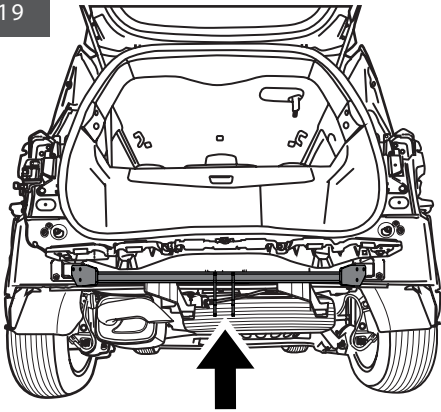


 2,0 Nm

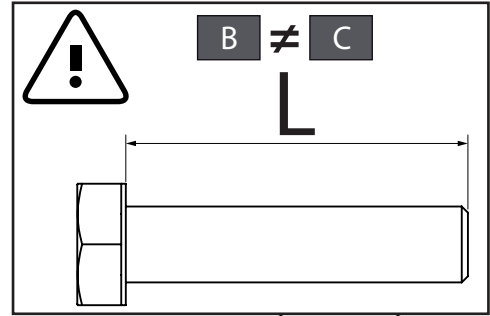
A		X1	DIN985-M6
B		X2	6,2 X 15,4 X 1,6 (NYLON)
C		X1	GDW REF. 718.16.002
D		X1	GDW REF. 718.16.003
E		X1	GDW REF. 908.094
F		X1	DIN933-M6 X 30
6		X1	GDW REF. 908.097



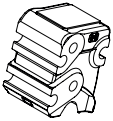
19



85,0 Nm



A X1 T60



B X2 DIN933-M12 X 25



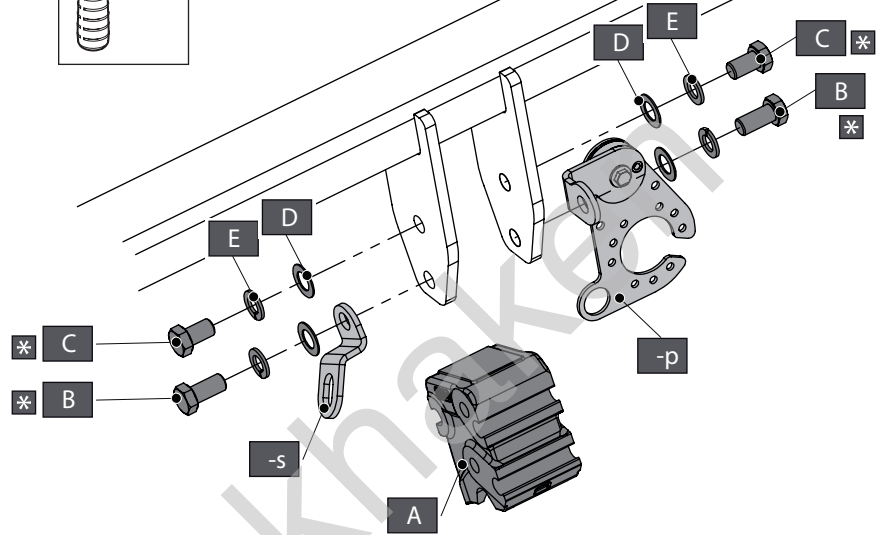
C X2 DIN933-M12 X 20



D X4 Ø 14 X 24 X 1



E X4 DIN128A-M12



20

