



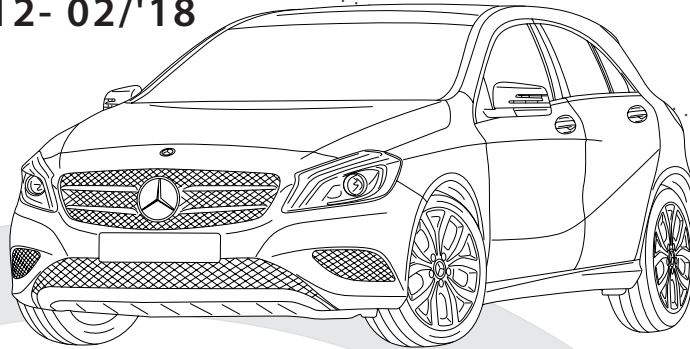
TREKHAKEN • ATTELAGES • ANHÄNGERVORRICHTUNGEN • TOWBARS • ENHANCES • ANHÆNGERTRÆK
Montagehandleiding | instructions de montage | Einbauanleitung | Mounting instruction
Instrucciones de montaje | monteringsvejledning

Mercedes A-klasse W176

10/'12- 02/'18



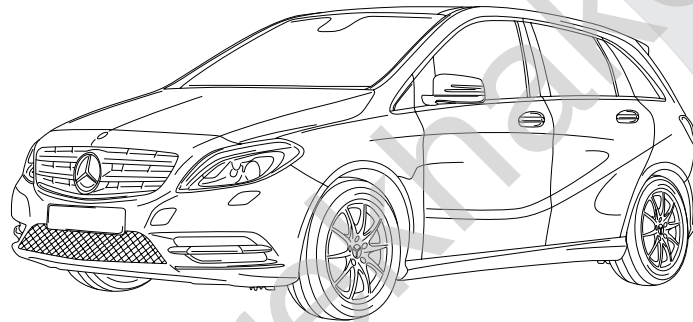
- Basic
- Style-line
- Urban-line
- AMG-line



Mercedes B-klasse W246

11/'11- 12/'18

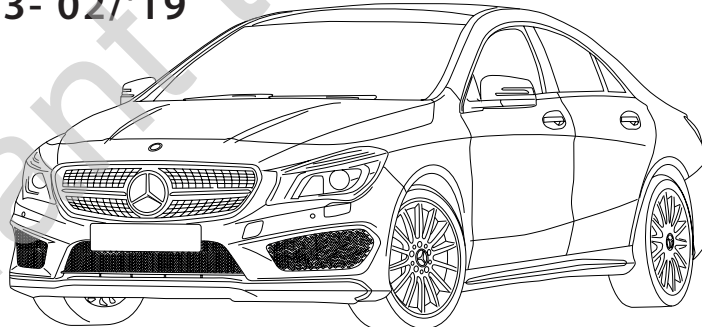
- Basic
- Style-line
- Urban-line
- AMG-line



Mercedes CLA C117

04/'13- 02/'19

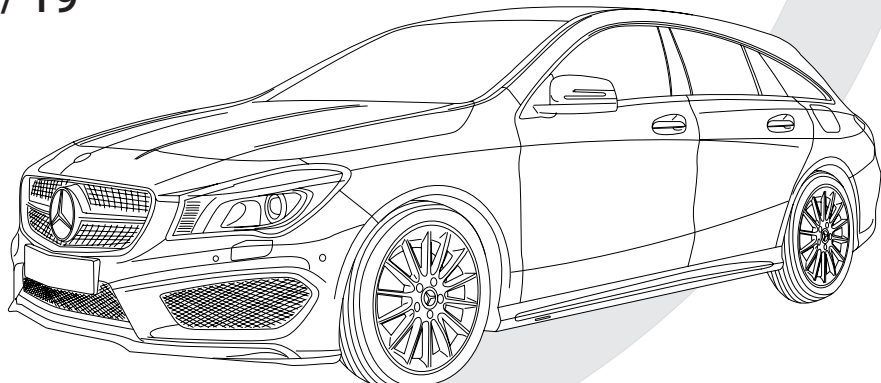
- Basic
- Urban-line
- AMG-line




Mercedes CLA - Shooting Brake X117

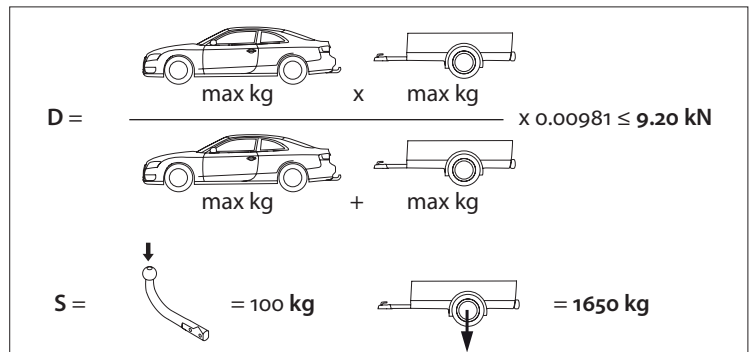

01/'15- 05/'19

- Basic
- Urban-line
- AMG-line

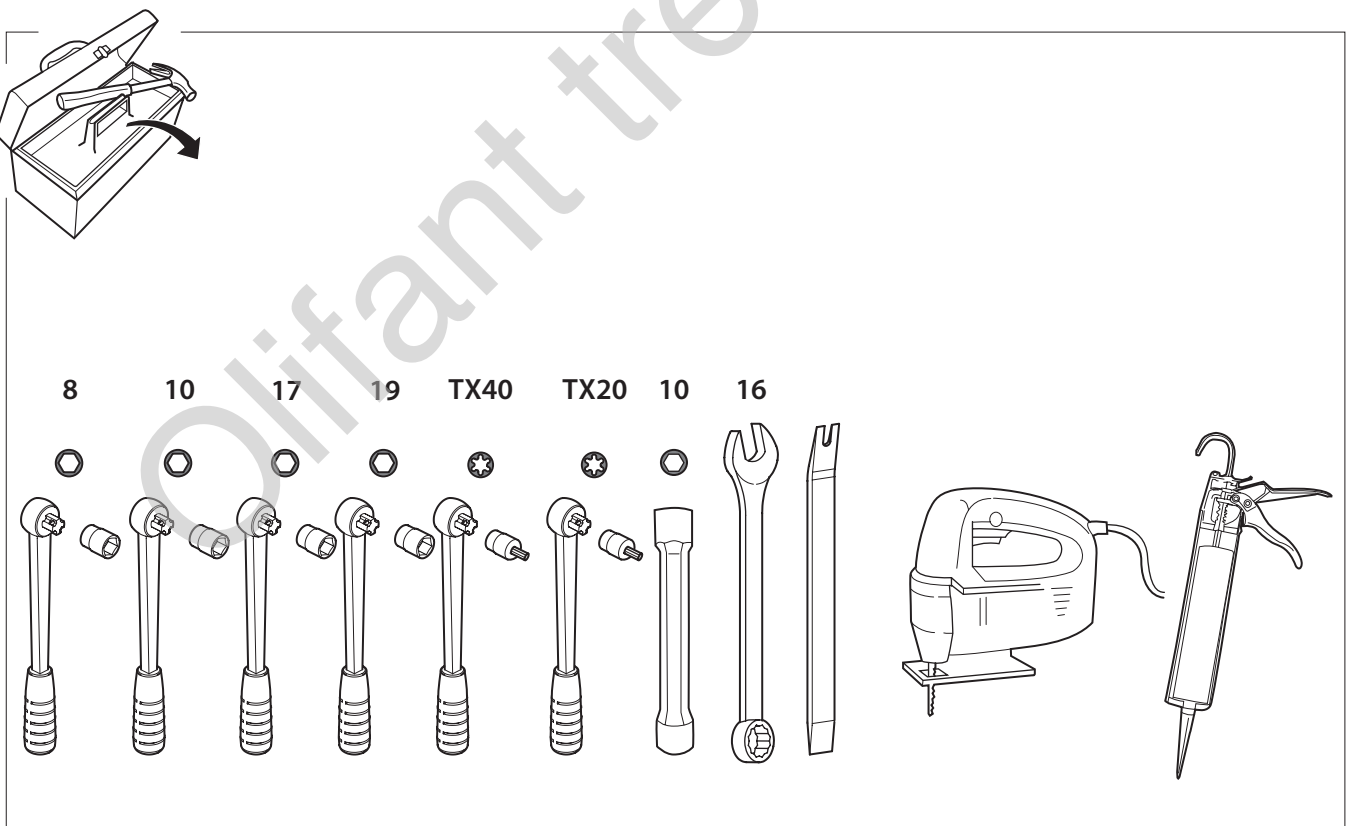


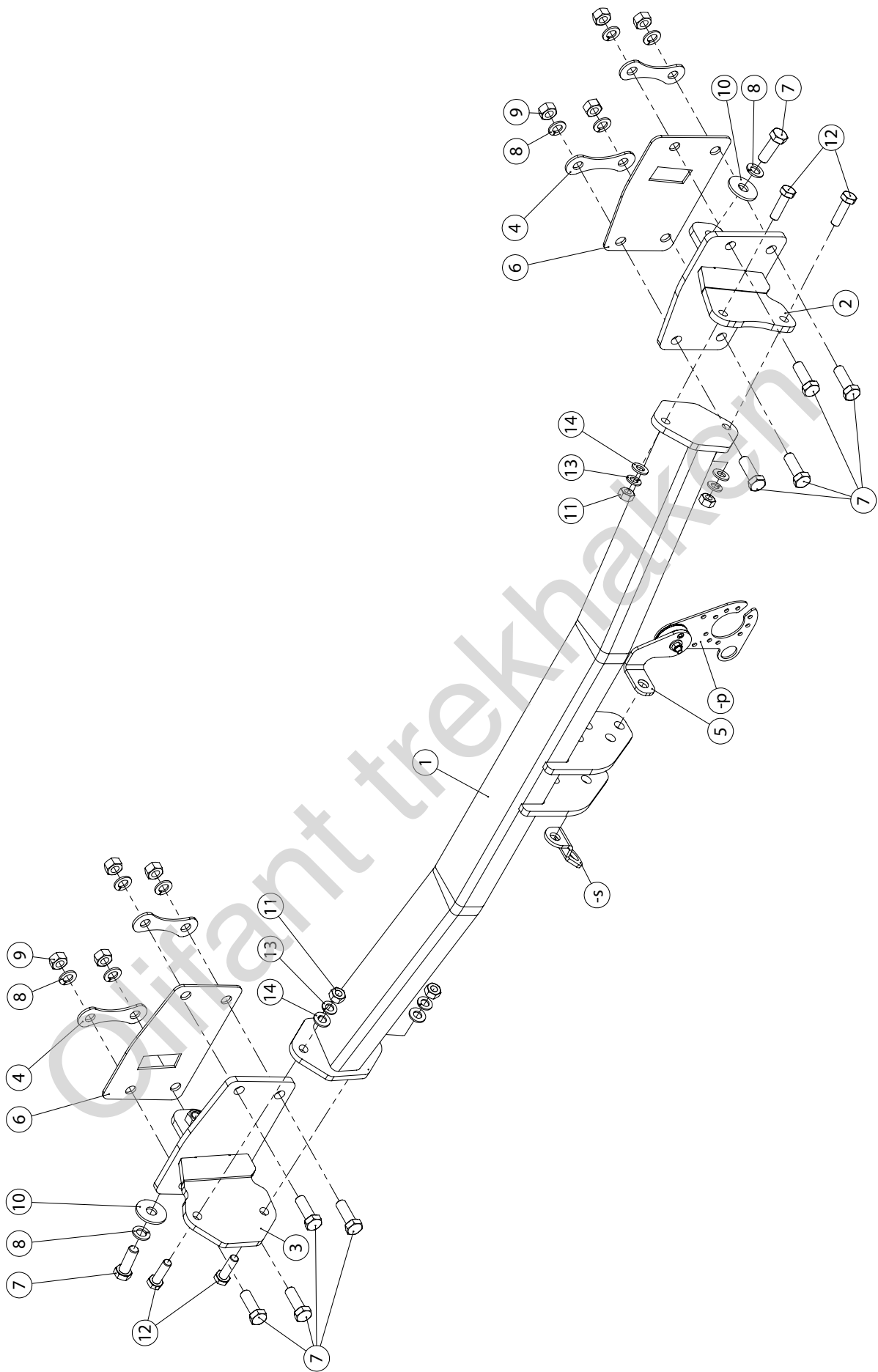
See the Certificate Of Conformity (COC) of your vehicle or contact your dealer to verify the max. trailer weight of your car!

MADE BY	D 9,20	F	E6
			
BELGIUM	S 100	EC APPROVAL N°	
		55R-011306	
REF N°	SERIE N°		
2090T60			
OMSCHRIJVING			
Mercedes B W246 / A W176/ CLA C117/CLA X117			

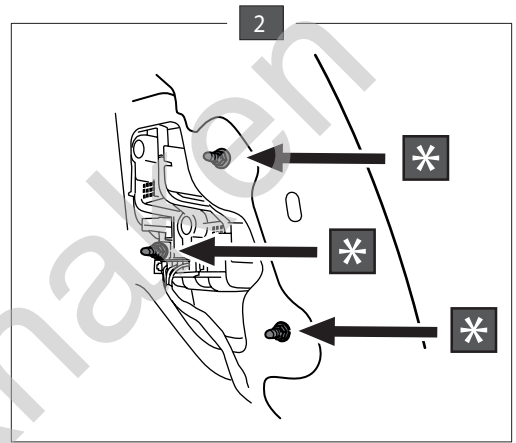
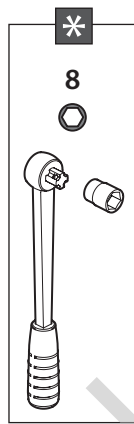
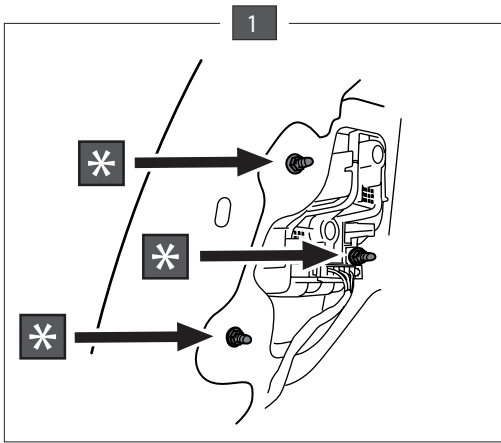
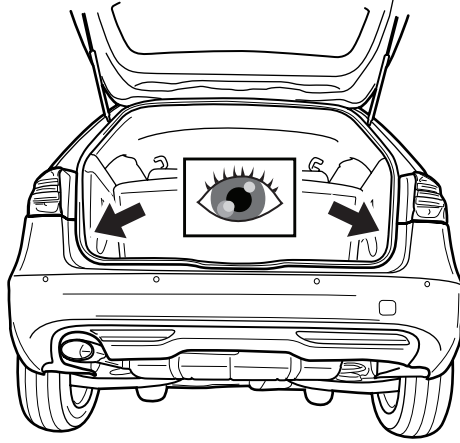
	M 6	M 8	M10		M12			M14		M16
	1	1,25	1,5	(1,25)	1,75	(1,5)	(1,25)	1,75	(1,5)	2
8.8	11,3 Nm	27,3 Nm	54,0 Nm	57,0 Nm	93,0 Nm	97,0 Nm	101,0 Nm	148,0 Nm	159,0 Nm	230,0 Nm
10.9	16,5 Nm	40,1 Nm	79,0 Nm	83,0 Nm	137,0 Nm	143,0 Nm	149,0 Nm	218,0 Nm	234,0 Nm	320,0 Nm
12.9	19,3 Nm	46,9 Nm	93,0 Nm	98,0 Nm	160,0 Nm	167,0 Nm	174,0 Nm	255,0 Nm	274,0 Nm	395,0 Nm





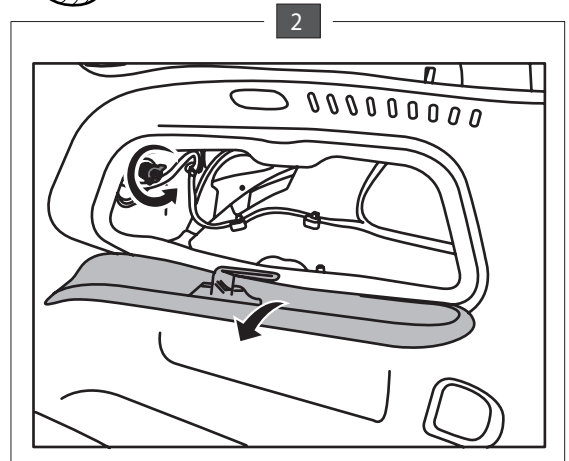
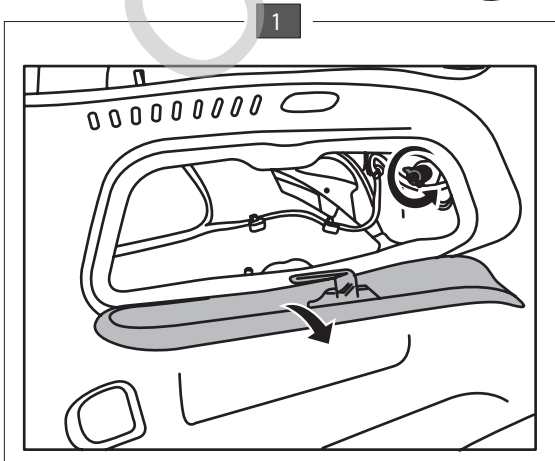
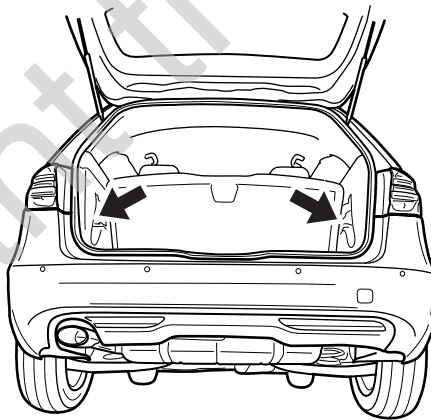
1

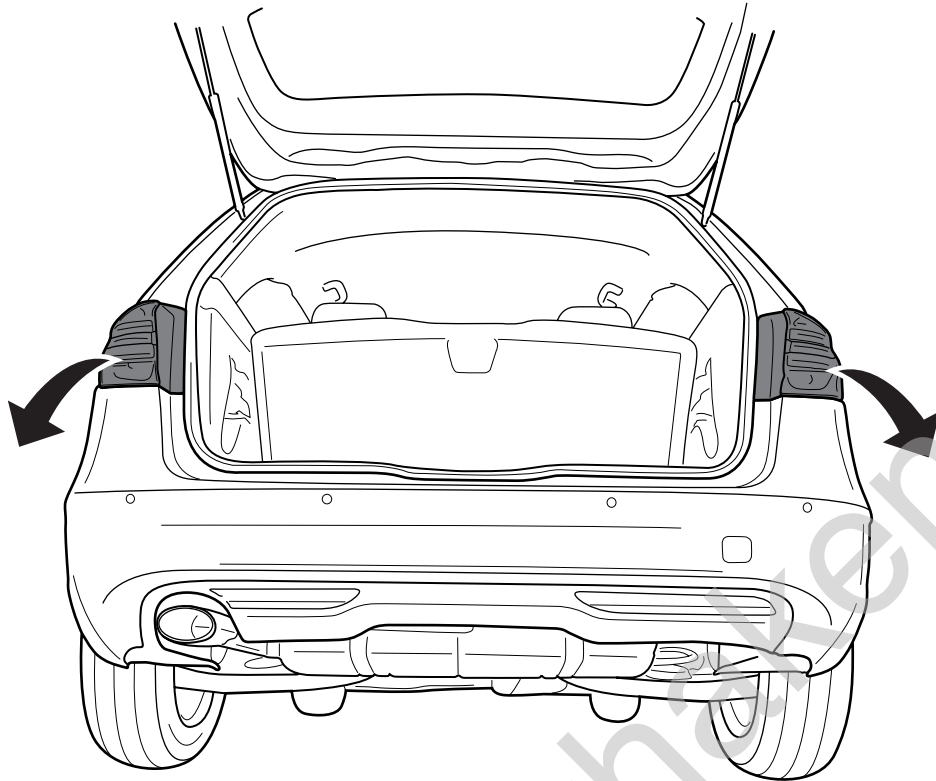
A-Klasse W176 & CLA C117/X117



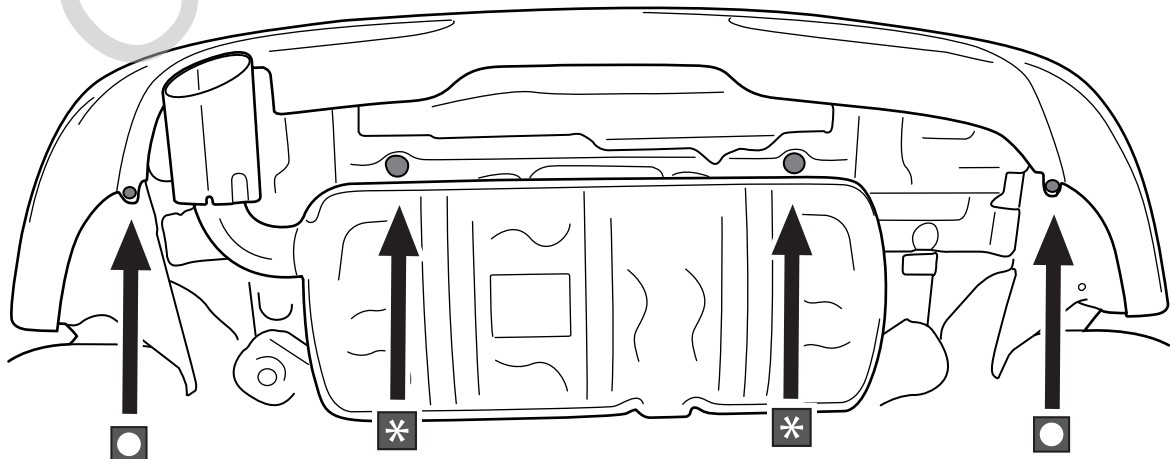
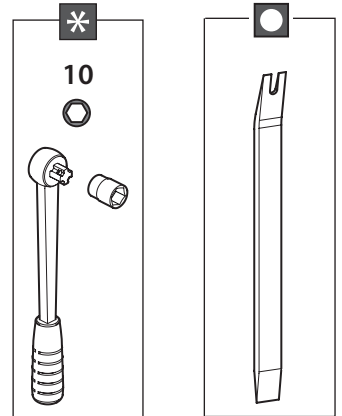
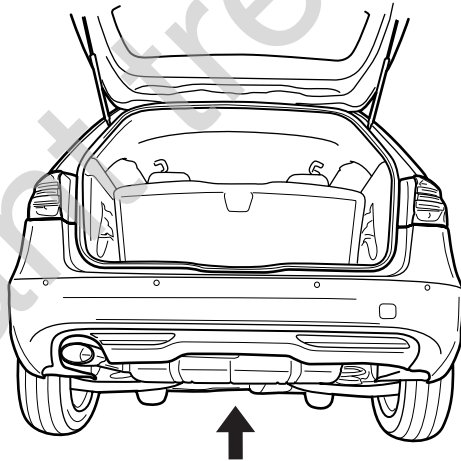
2

B-Klasse W246



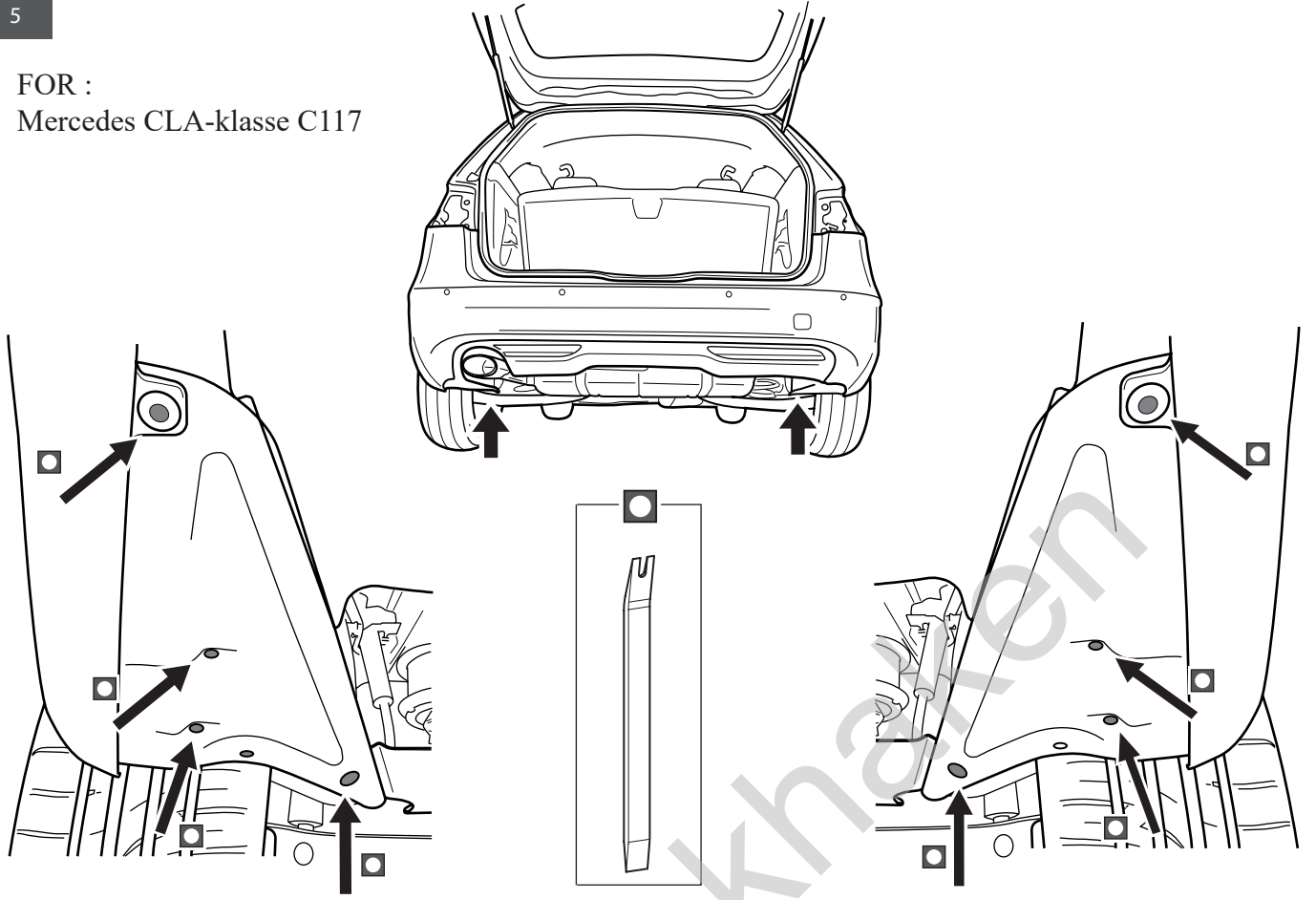


FOR :
Mercedes B-klasse W246
Mercedes A-klasse W176



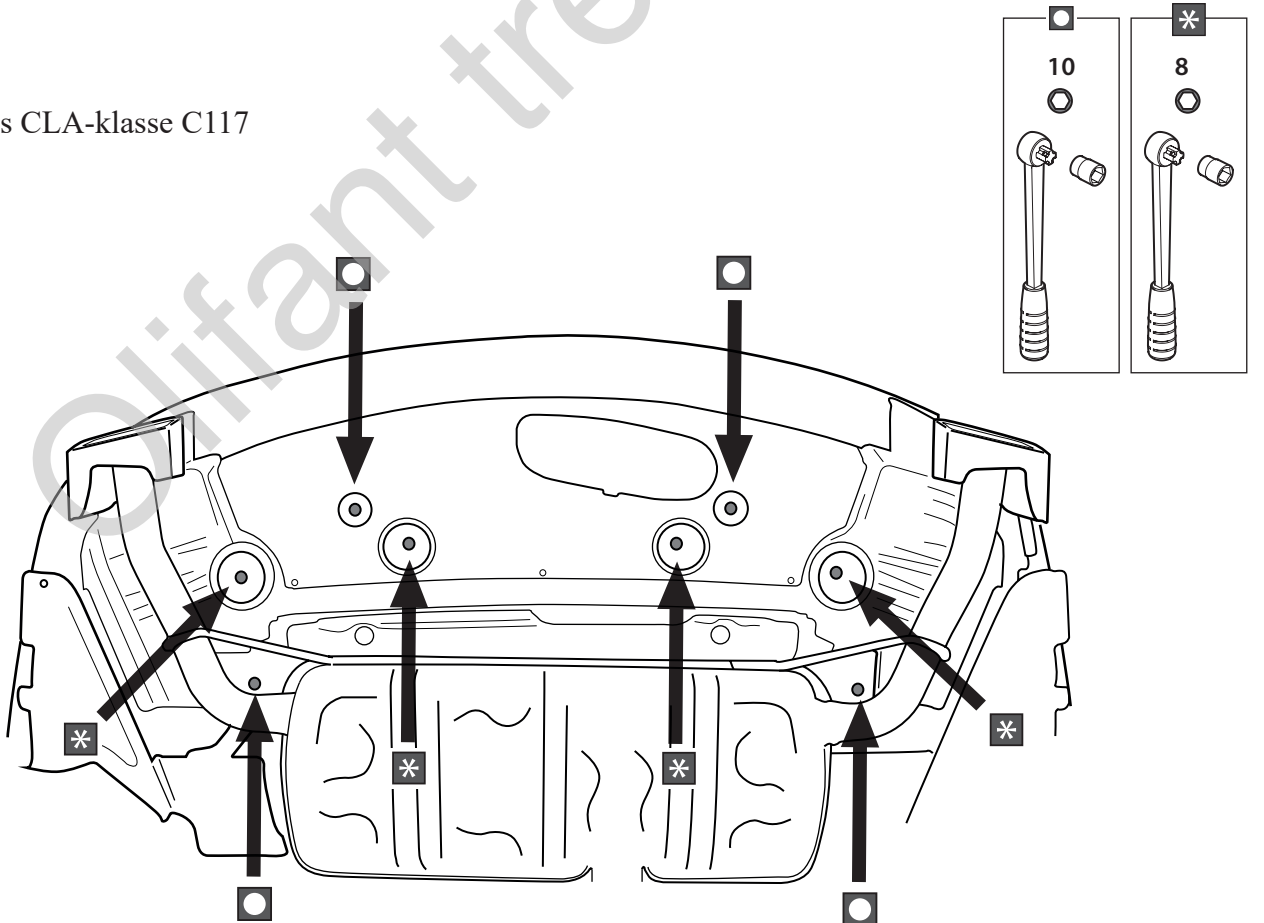
5

FOR :
Mercedes CLA-klasse C117

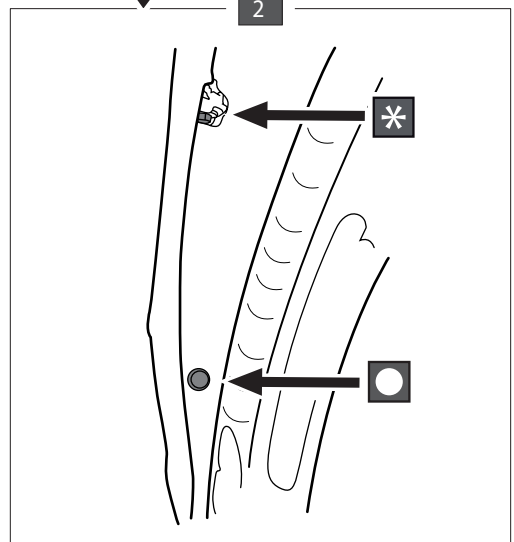
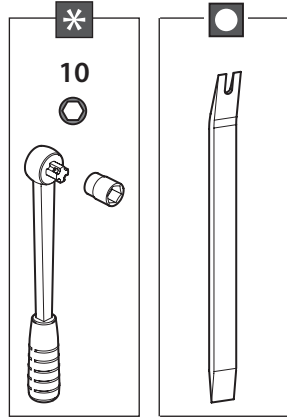
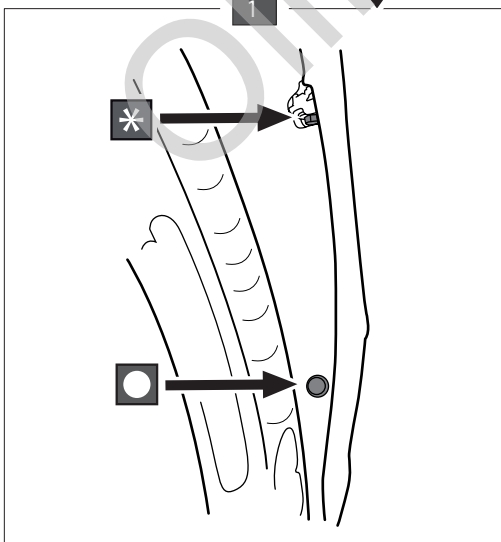
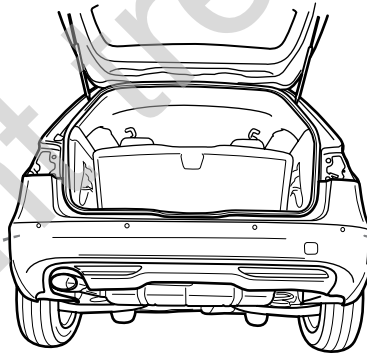
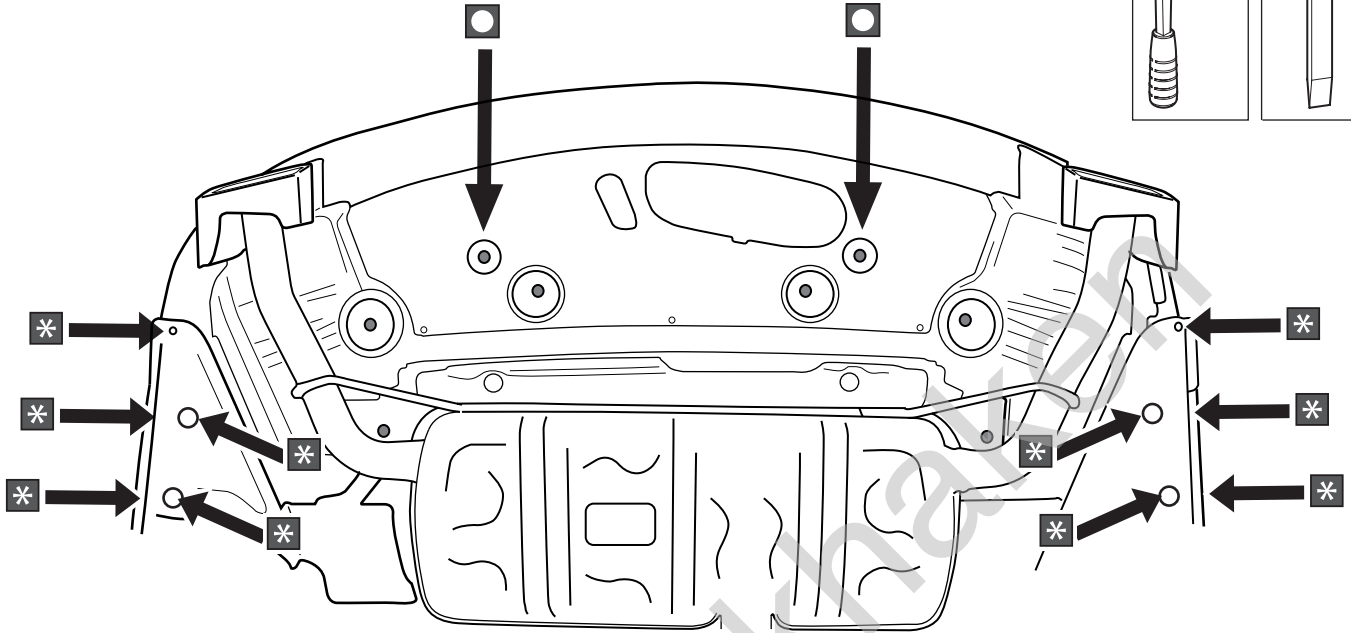
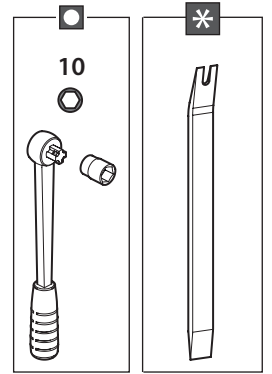


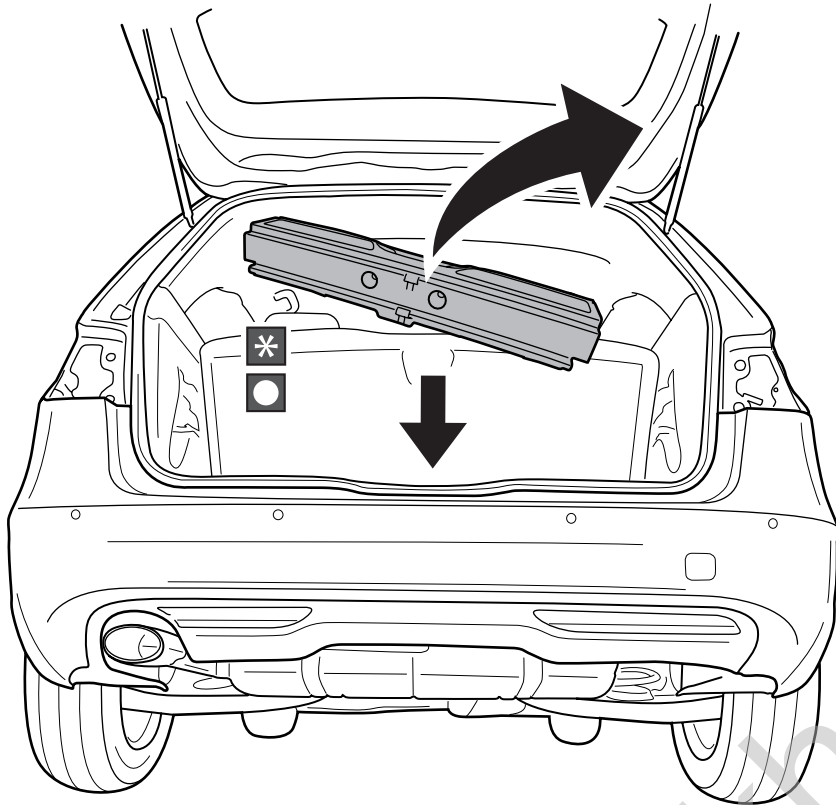
6

FOR :
Mercedes CLA-klasse C117

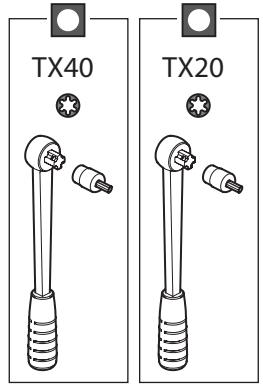


FOR :
Mercedes CLA Shooting Brake

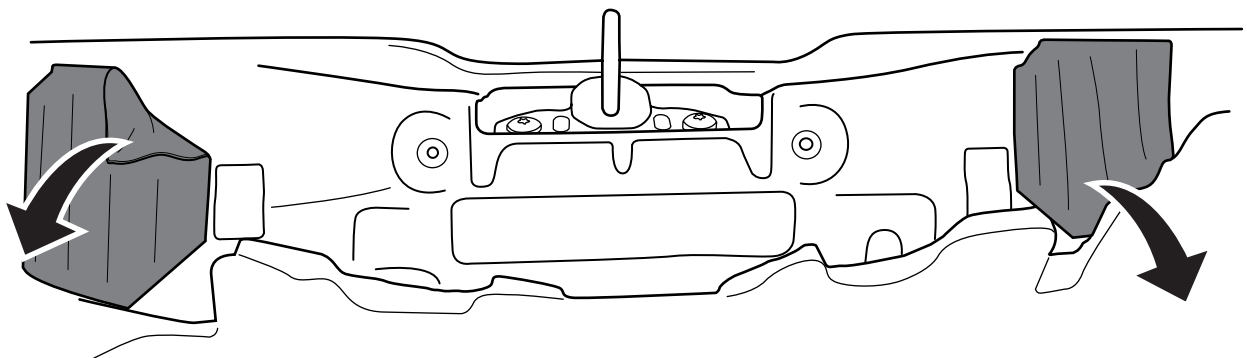
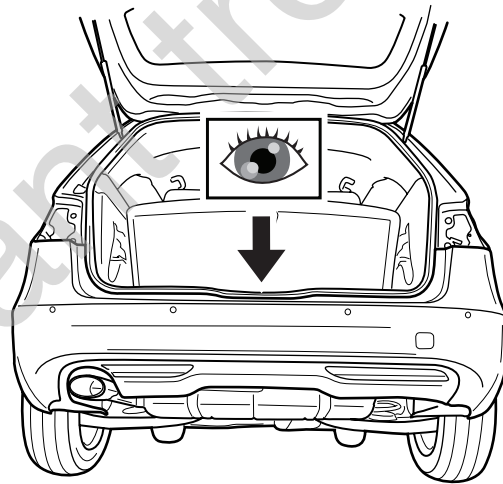
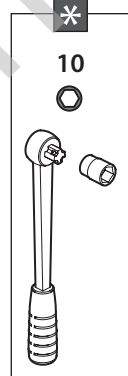


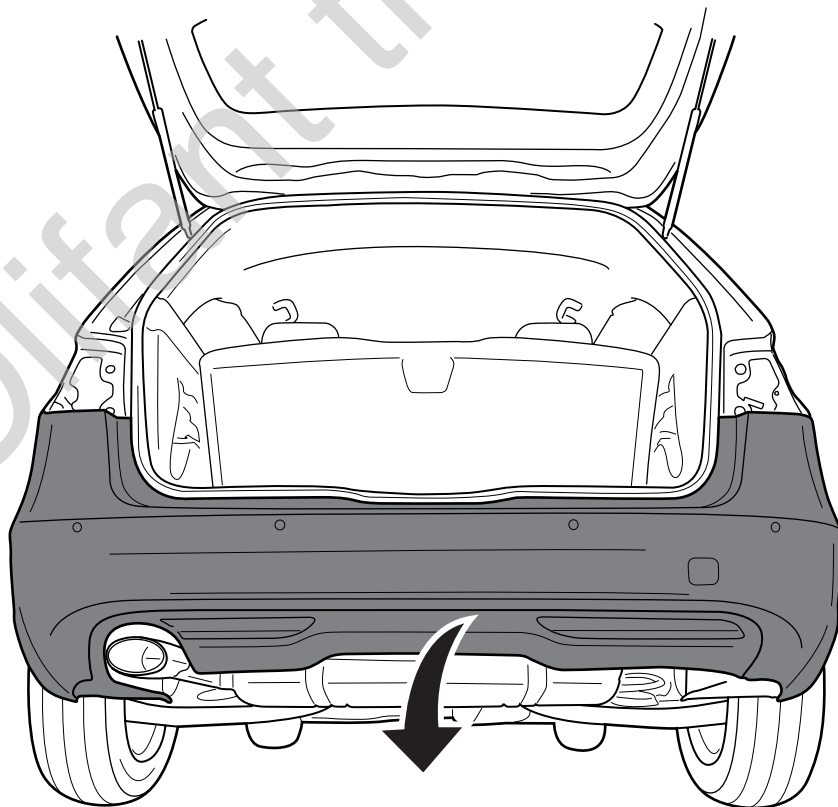
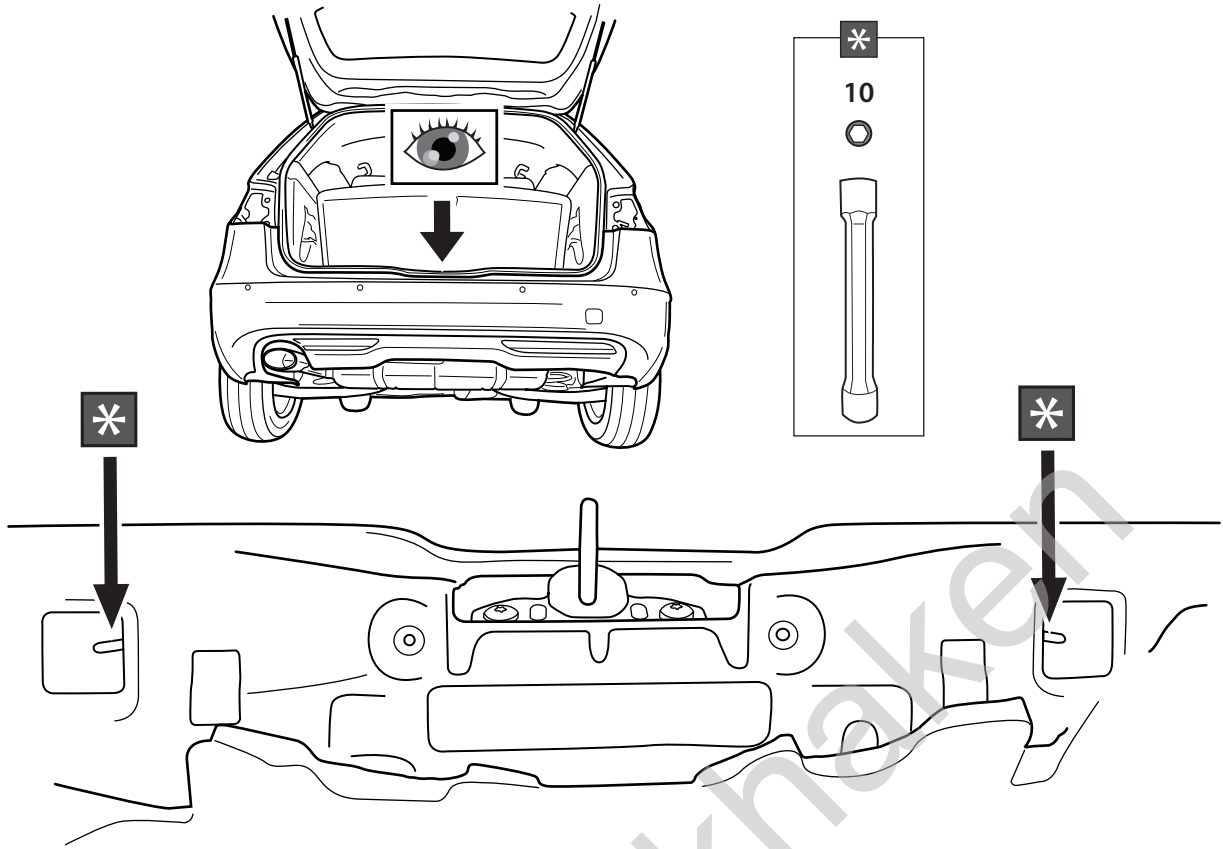


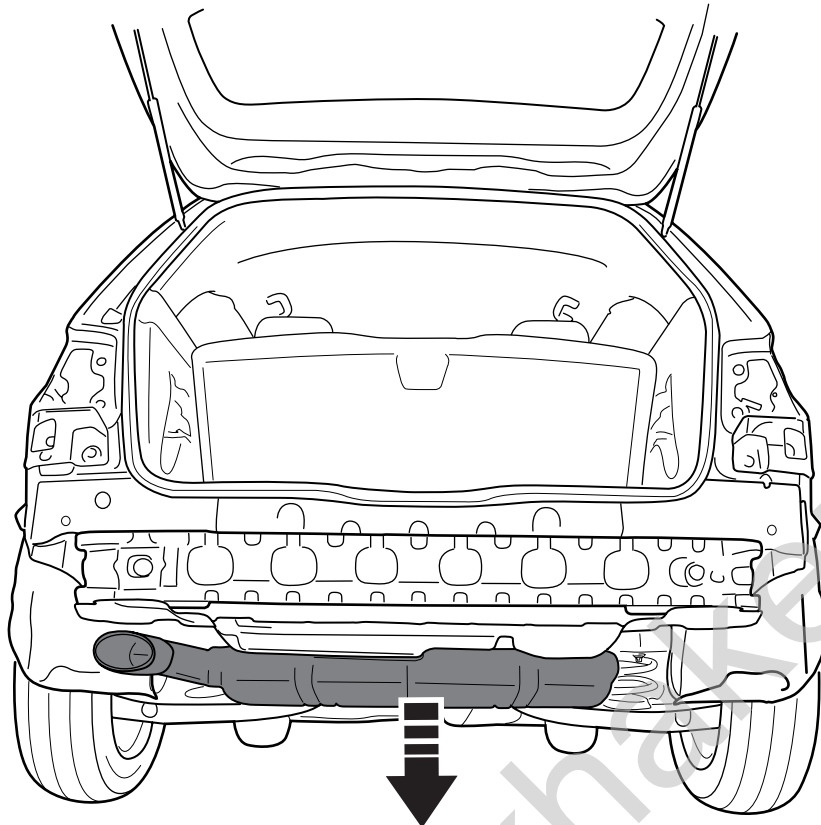
Mercedes CLA & CLA Shooting Brake



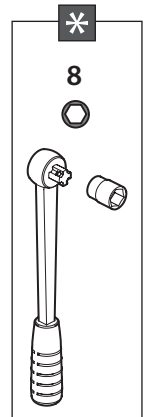
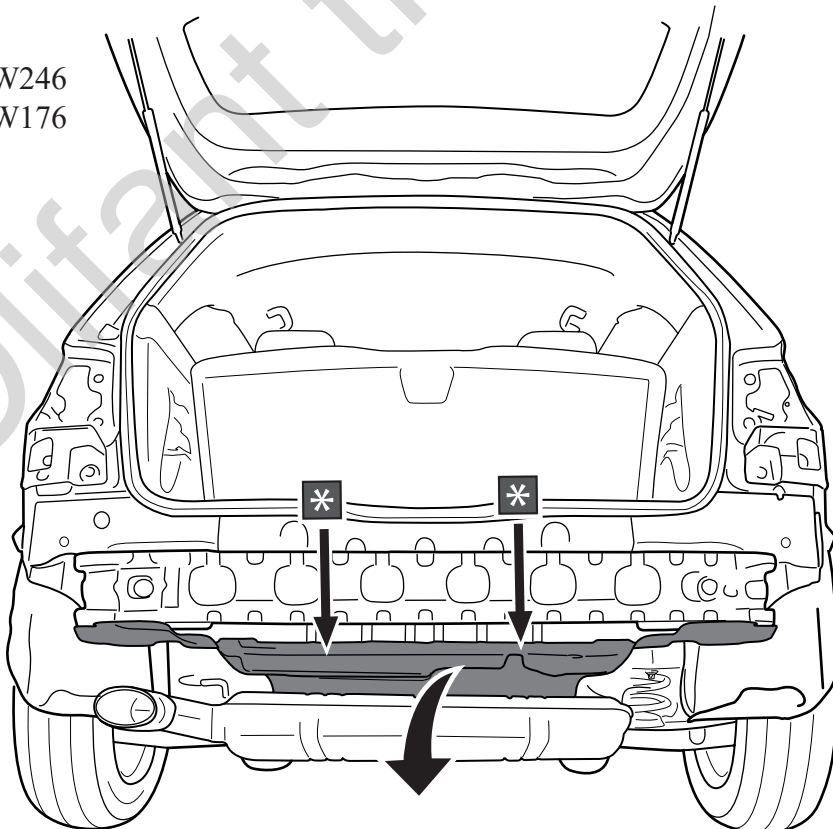
Mercedes A-Klasse & B-Klasse

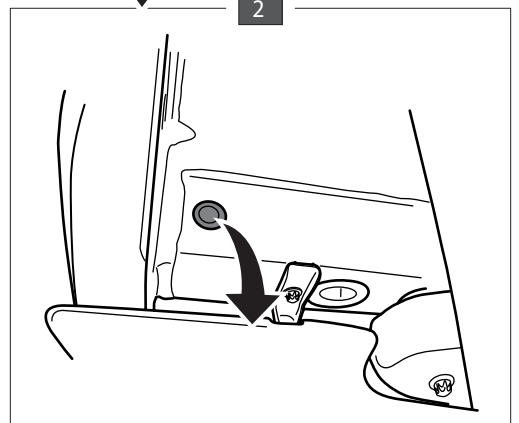
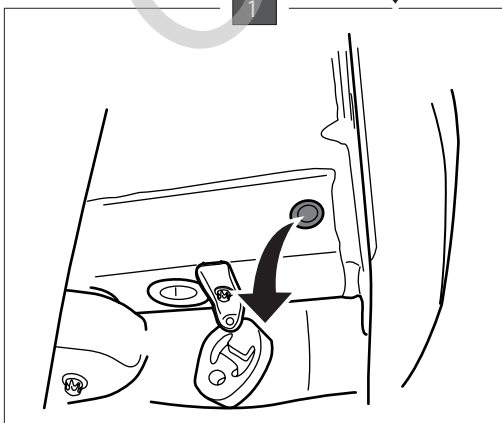
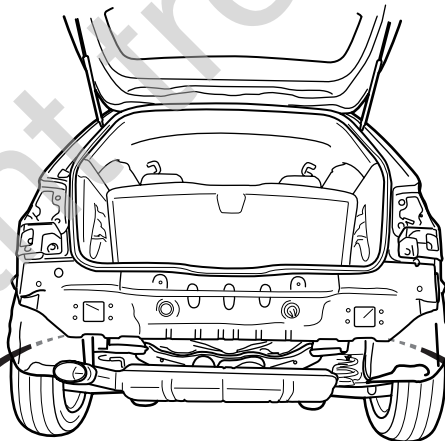
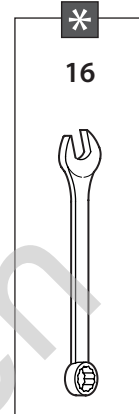
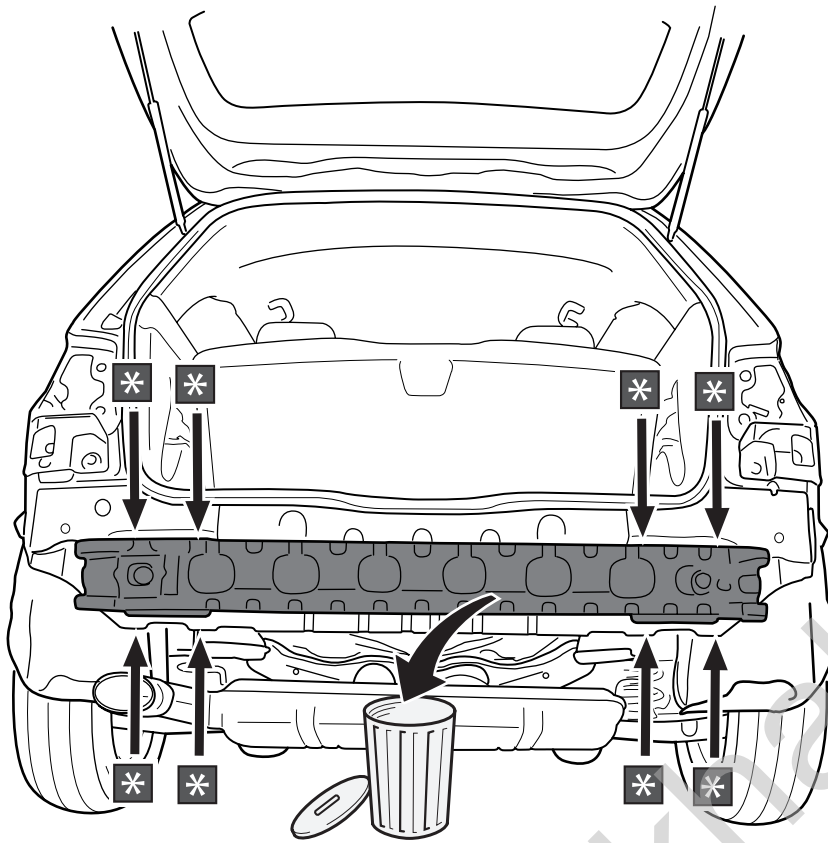


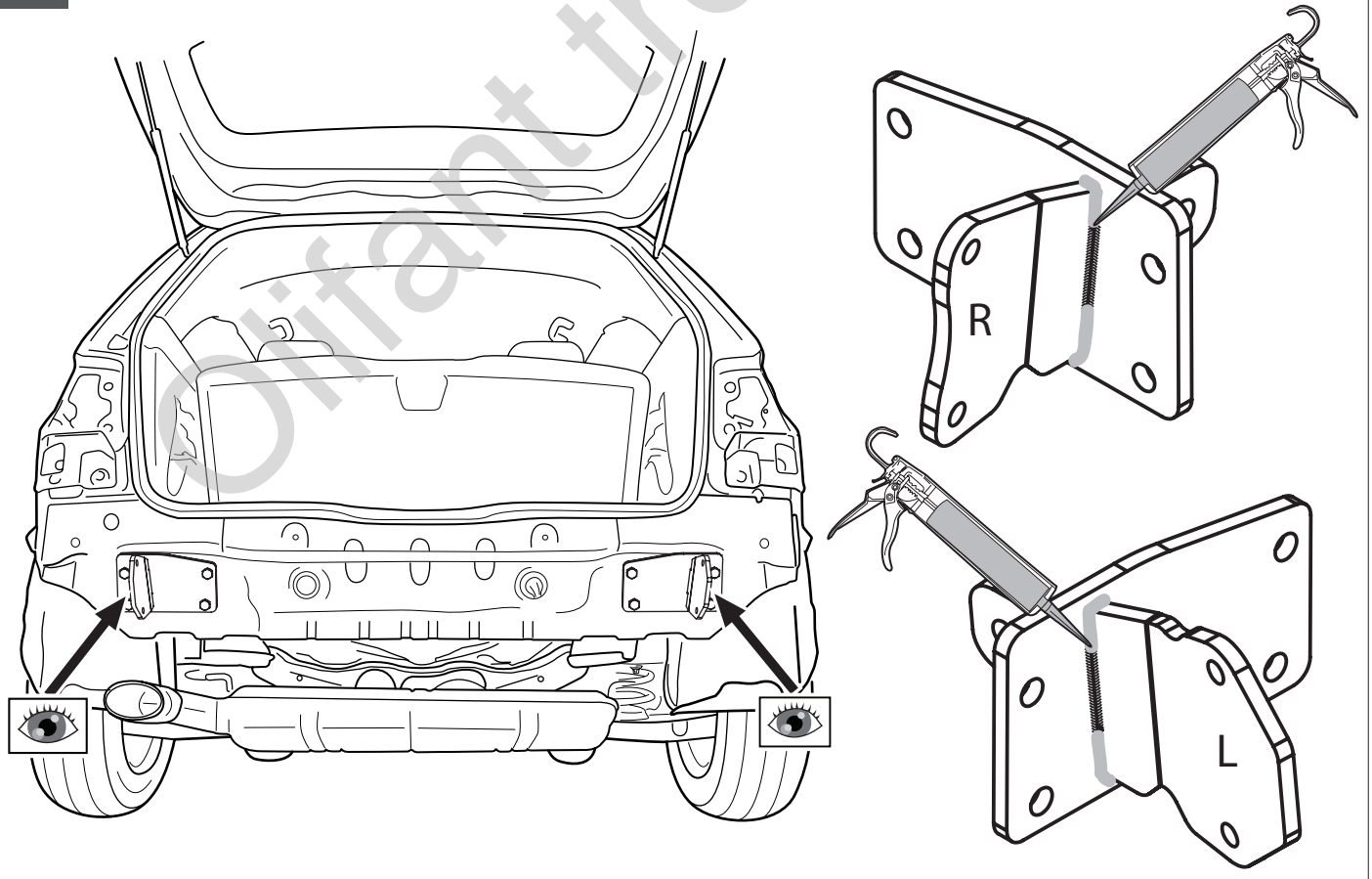
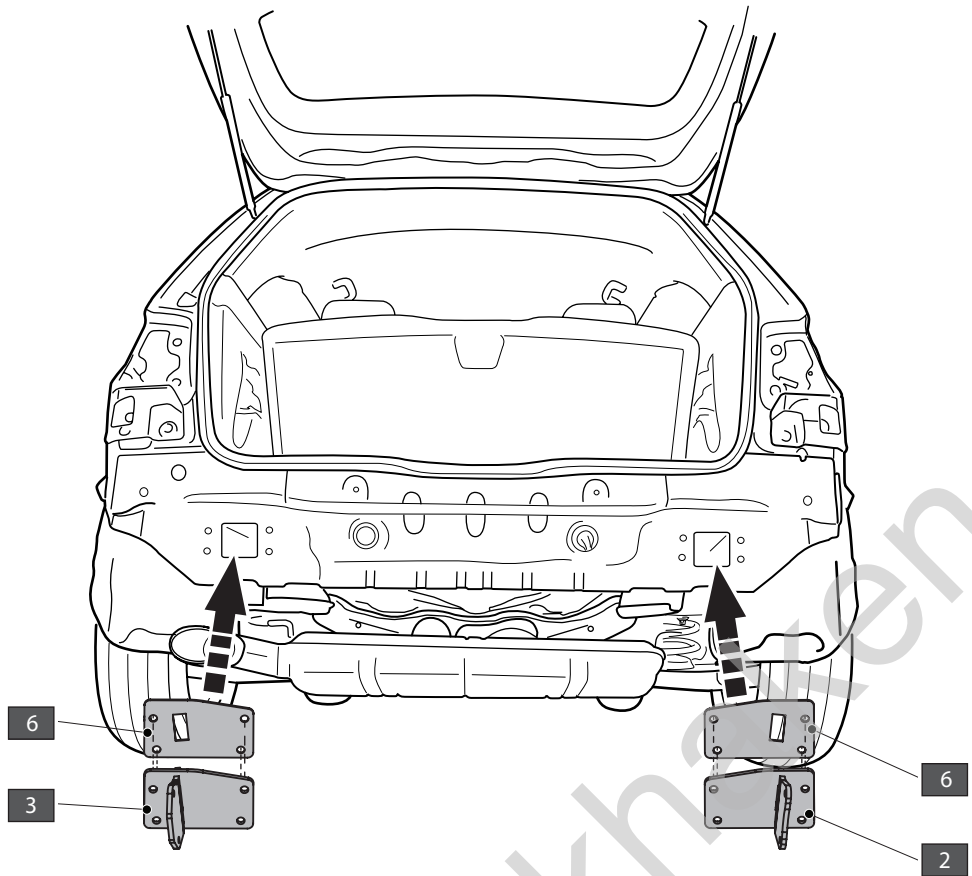


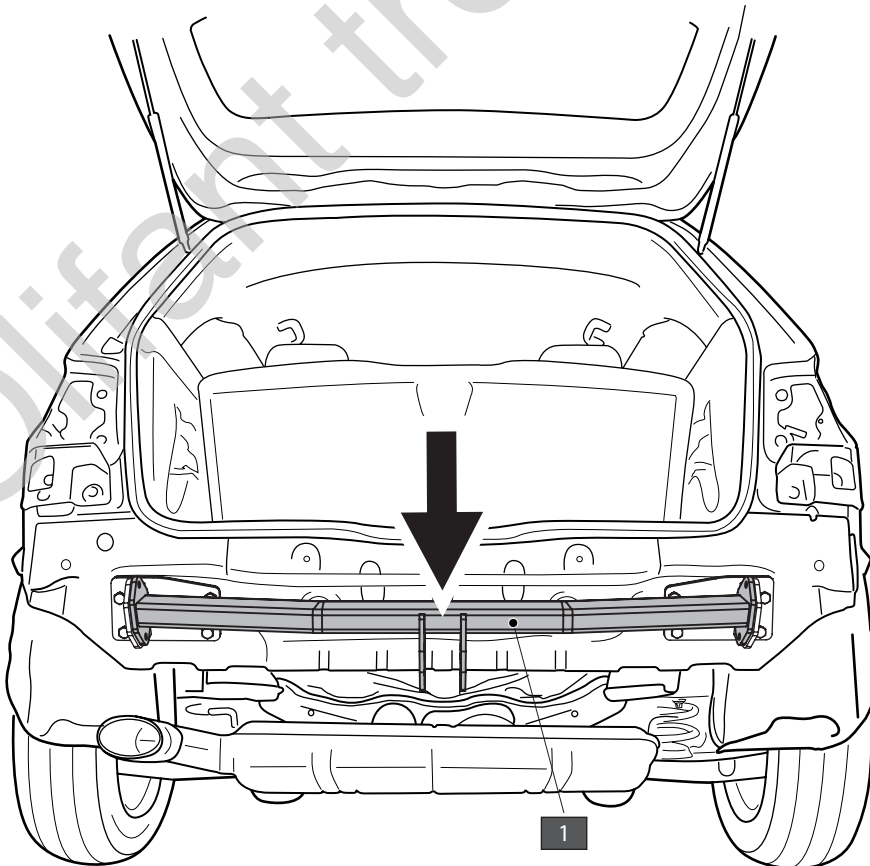
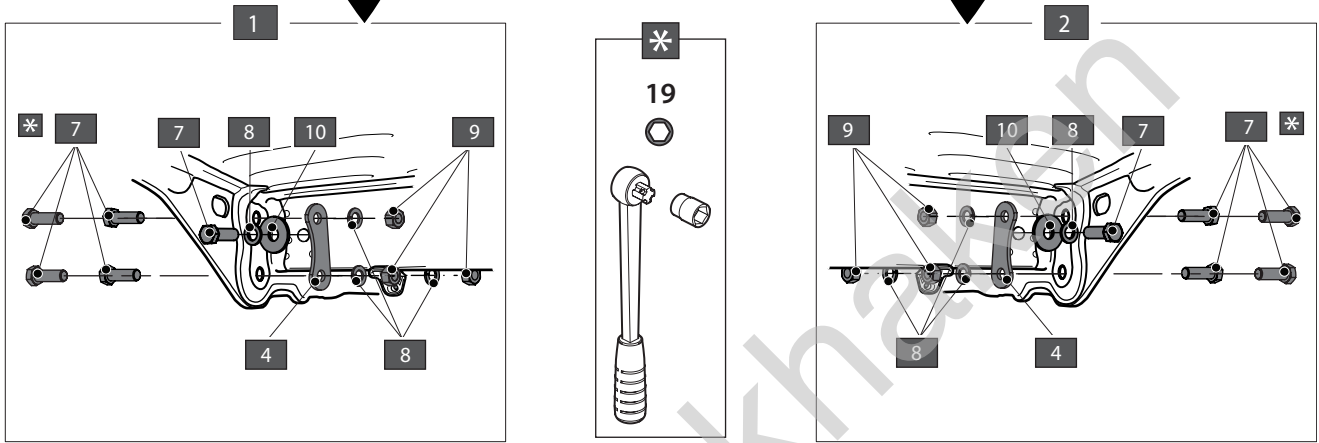
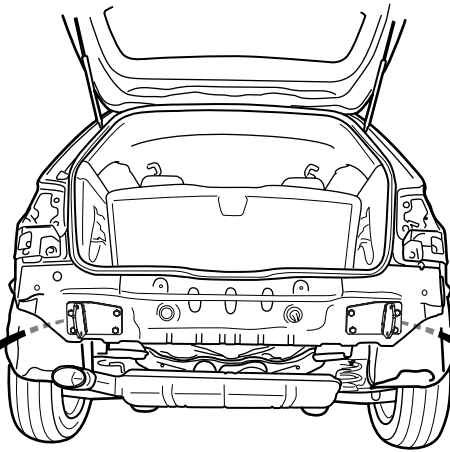


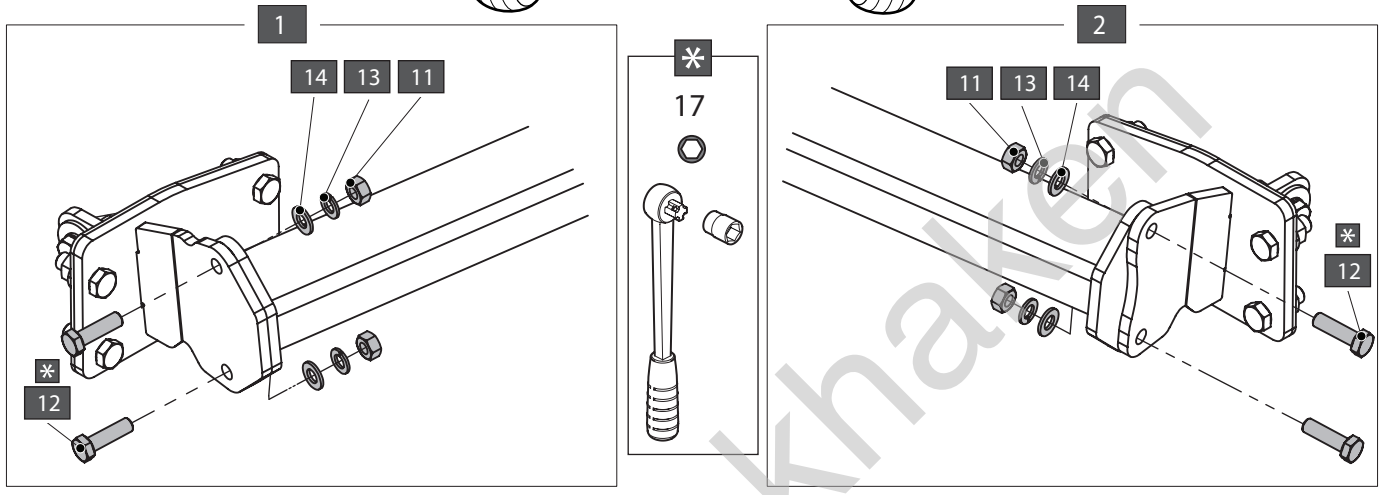
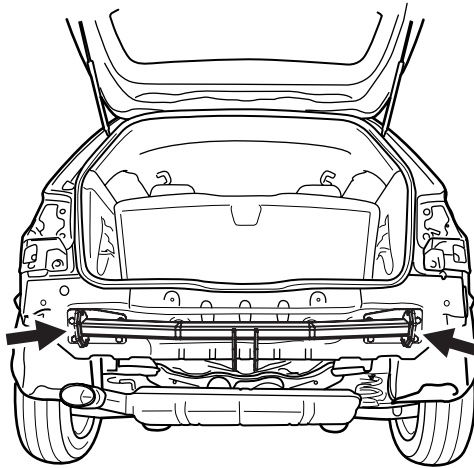
FOR :
Mercedes B-klasse W246
Mercedes A-klasse W176



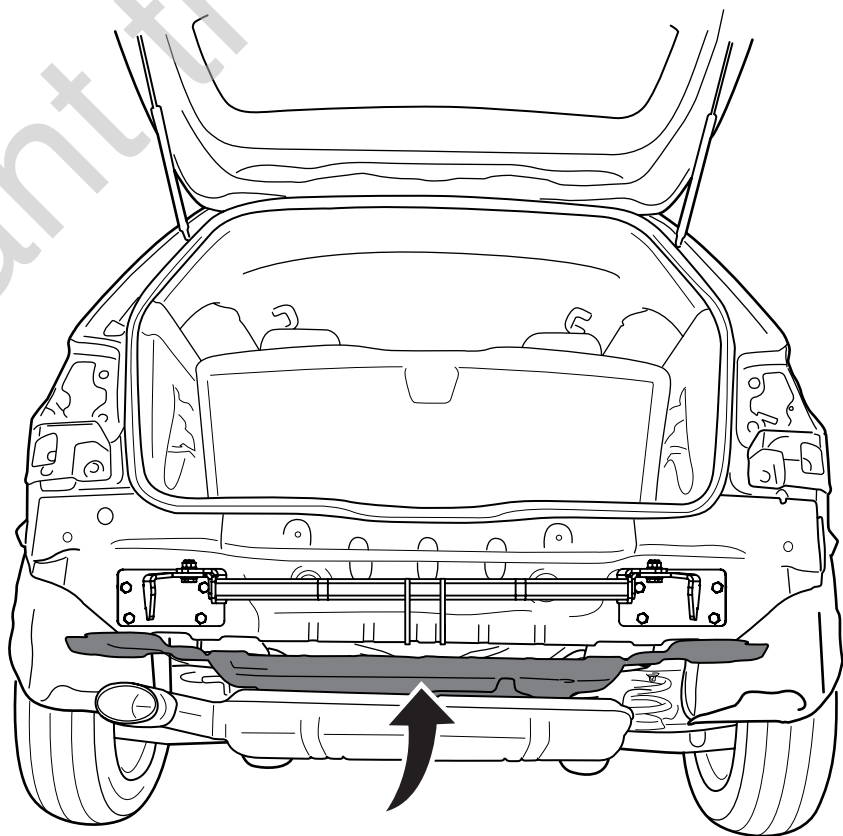


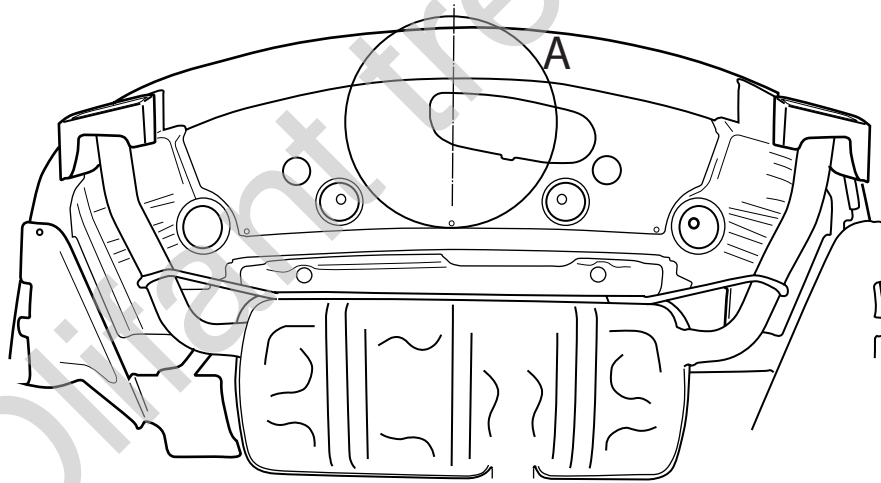
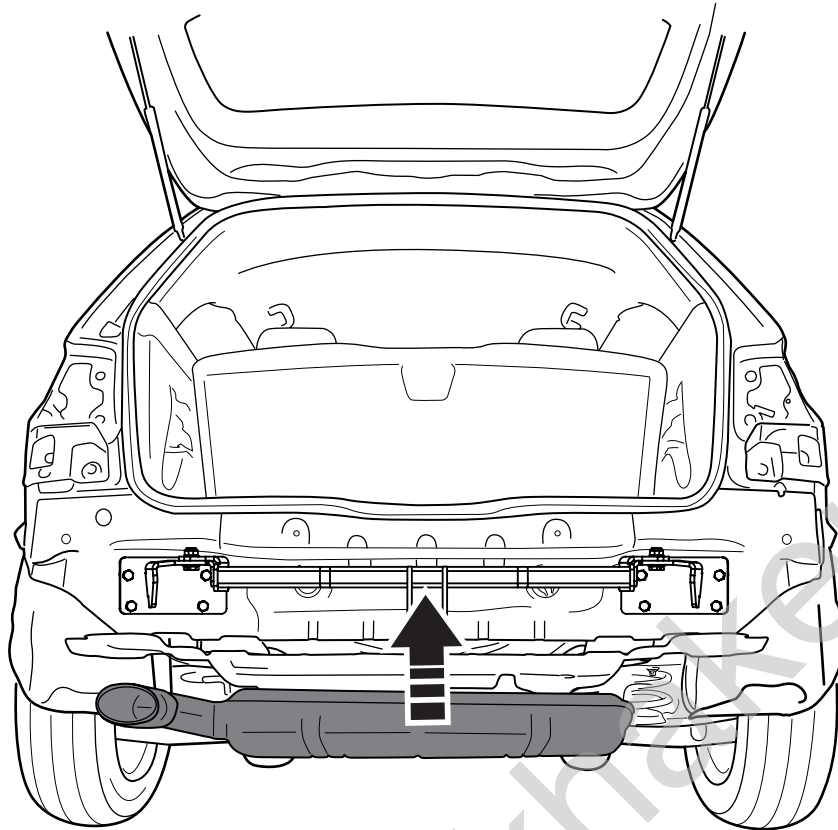




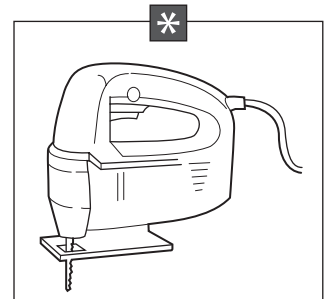
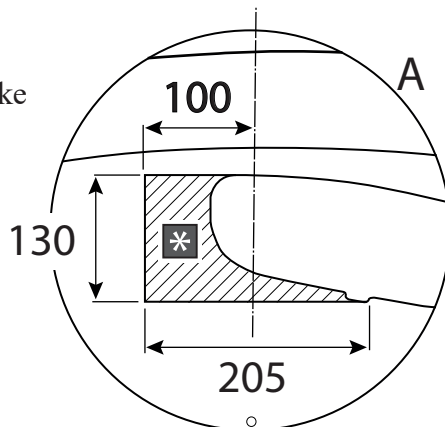







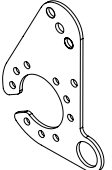
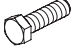
FOR :
 Mercedes B-klasse W246
 Mercedes A-klasse W176

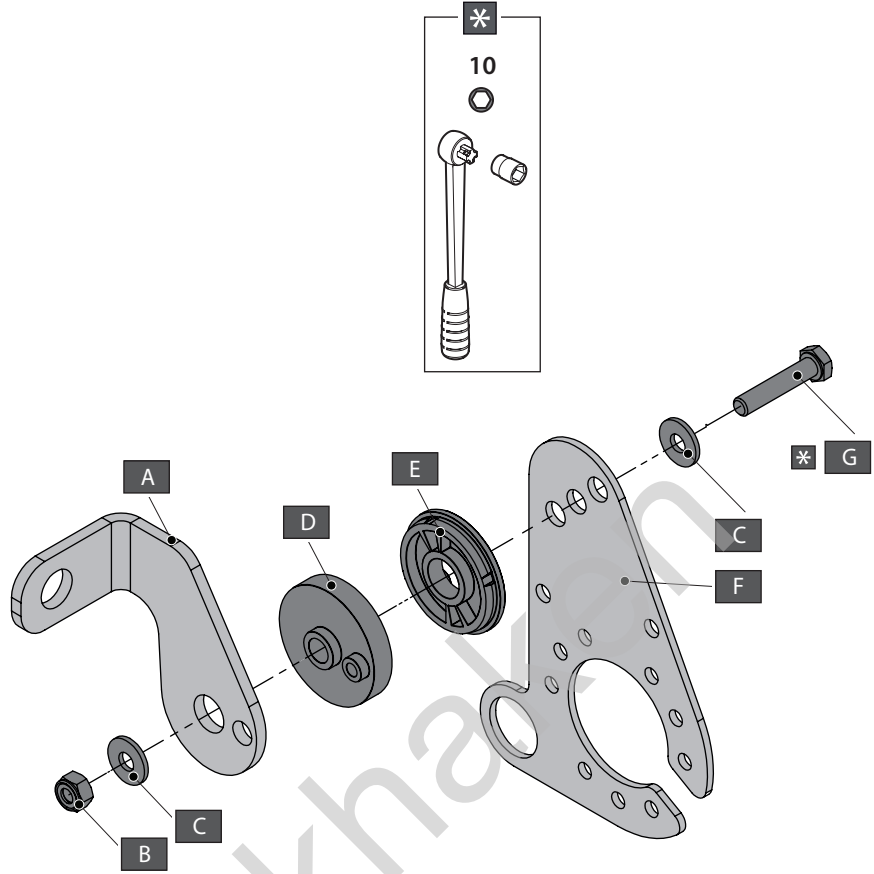




FOR:
Mercedes CLA-Klasse
Mercedes CLA-Shooting Brake

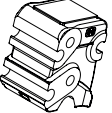

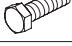




A		X1	GDW REF. 5
B		X1	DIN985-M6
C		X2	6,2 X 15,4 X 1,6 (NYLON)
D		X1	GDW REF. 718.16.002
E		X1	GDW REF. 718.16.003
F		X1	GDW REF. 908.094
G		X1	DIN933-M6 X 30



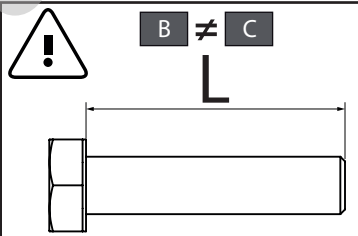
1 Mercedes CLA-klasse
Mercedes CLA-Shooting Brake
Mercedes B-klasse W246


2 Mercedes A-klasse W176

A		X1	912.003
B		X2	DIN933-M12 X 25
C		X2	DIN933-M12 X 20
D		X4	Ø 14 X 24 X 1
E		X4	DIN128A-M12

B ≠ C

L





85,0 Nm

