



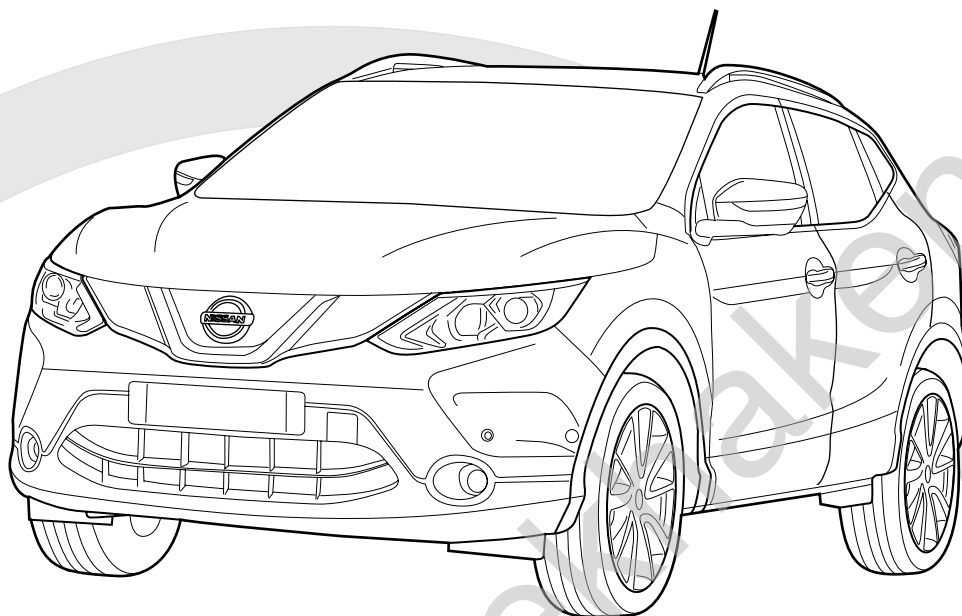
TREKHAKEN • ATTELAGES • ANHÄNGERVORRICHTUNGEN • TOWBARS • ENHANCES • ANHÆNGERTRÆK • GANCI DI TRAINO

Montagehandleiding | instructions de montage | Einbauanleitung | Mounting instruction
Instrucciones de montaje | monteringsvejledning | istruzioni di montaggio



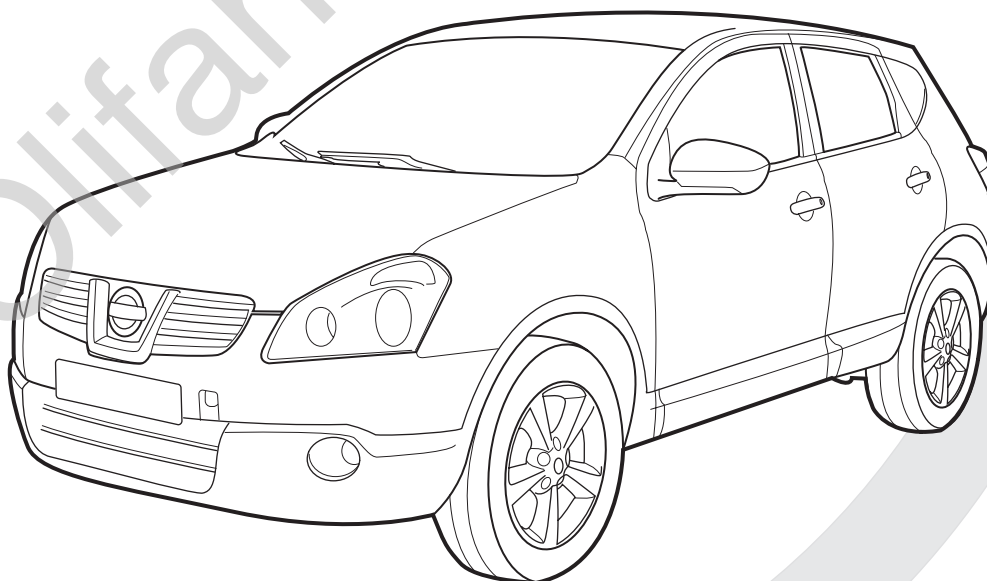
Nissan Qashqai type J11

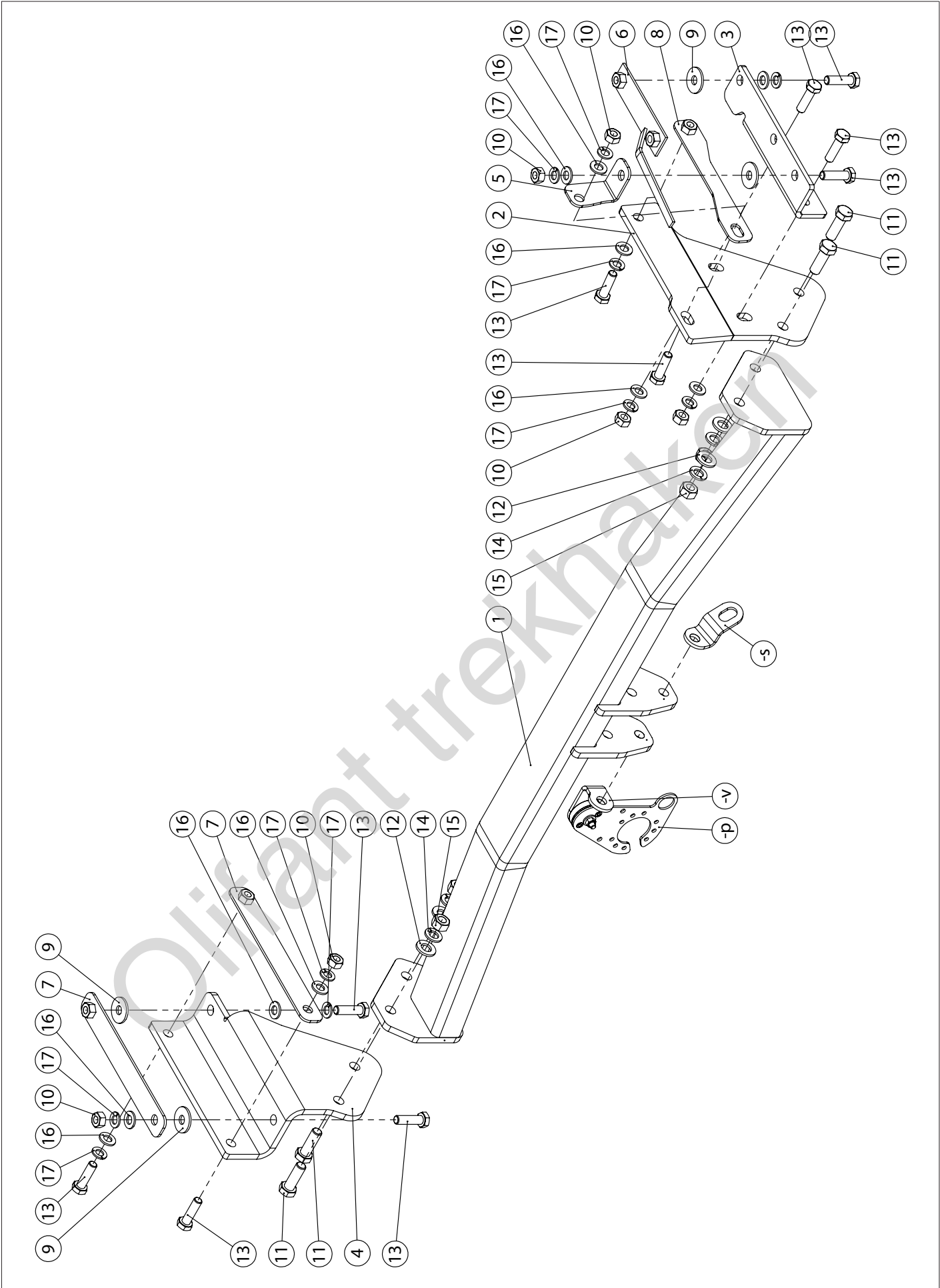
01/'14-

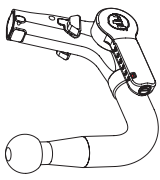

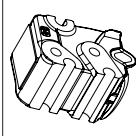


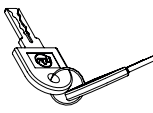
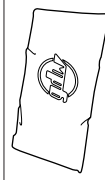
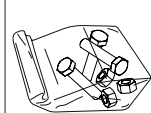








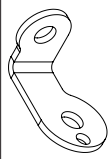
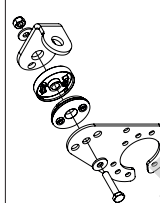




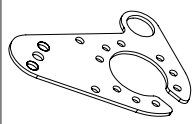

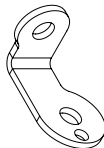
Nissan Qashqai & Qashqai +2 type J10

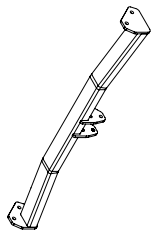
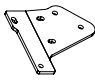
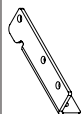
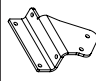



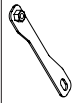

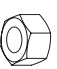



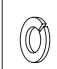



02/'07 - 12/'13



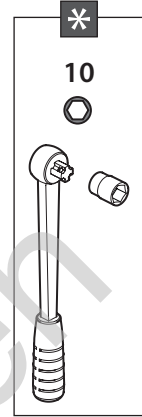
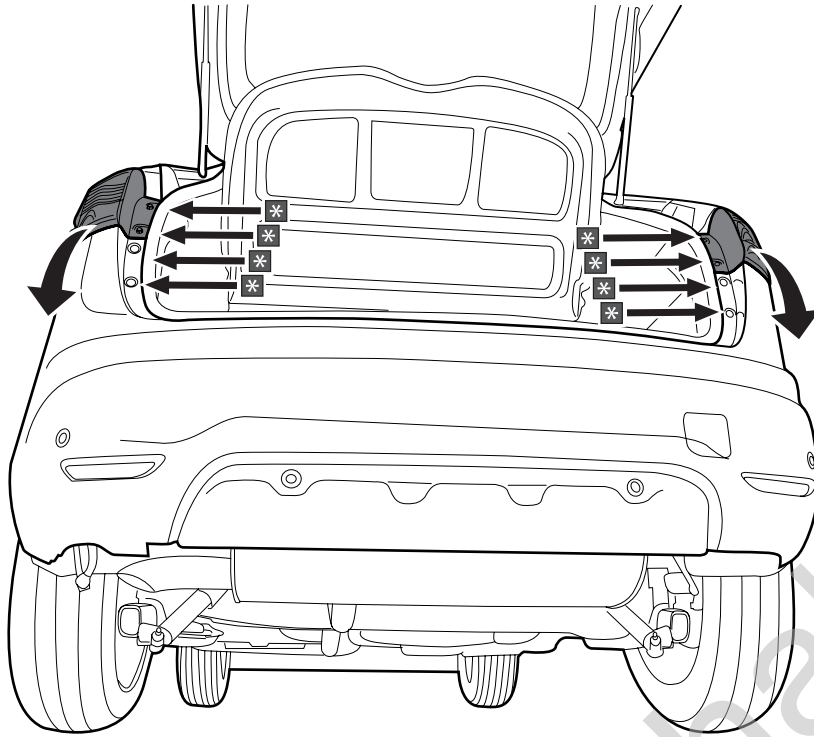


Geleverd met - Livré avec - Delivered with Geliefert mit - Elementos adjuntos-Leveres med		X1	GDW REF. 960.VT210
		X1	GDW REF. 740.200
		X1	GDW REF. 912.003
		X1	GDW REF. 740.112
		X1	GDW REF. 740.111
		X1	GDW REF. 740.114
		X1	GDW REF. 718.15.001
		X1	GDW REF. SYST60-100
		X2	DIN933-M12 X 25
		X2	DIN933-M12 X 20
	X4	Ø 14 X 24 X 1	
	X4	DIN128A-M12	

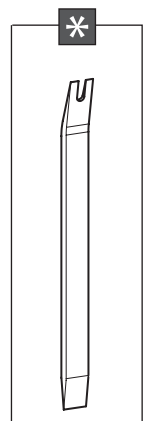
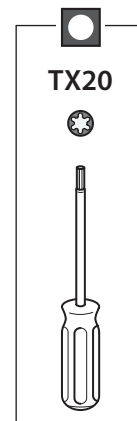
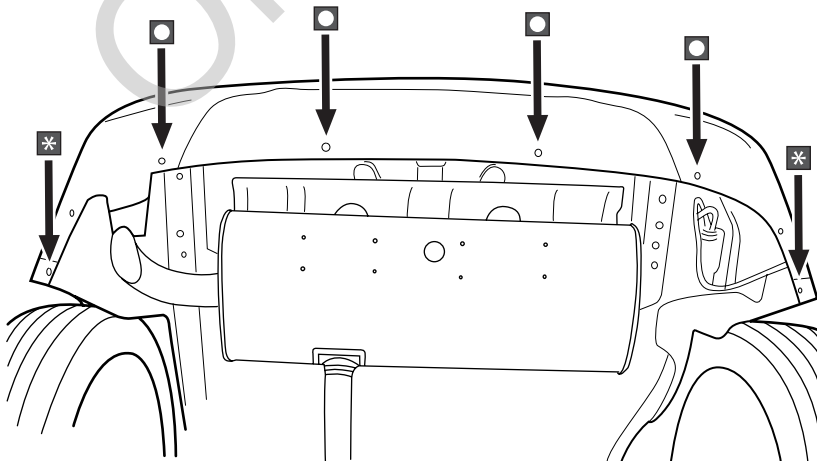
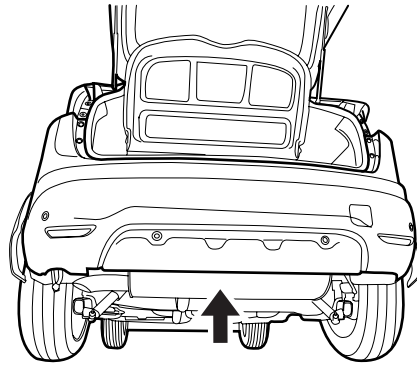
17		X10	DIN128A-M10
-S		X1	900.053
-V		X1	GDW REF. 908.098
-P		X1	GDW REF. P42
↳		X1	DIN985-M6
↳		X2	6,2 X 15,4 X 1,6 (NYLON)
↳		X1	GDW REF. 718.16.002
↳		X1	GDW REF. 718.16.003
↳		X1	GDW REF. 908.094
↳		X1	DIN933-M6 X 30
↳		X1	GDW REF. 908.098

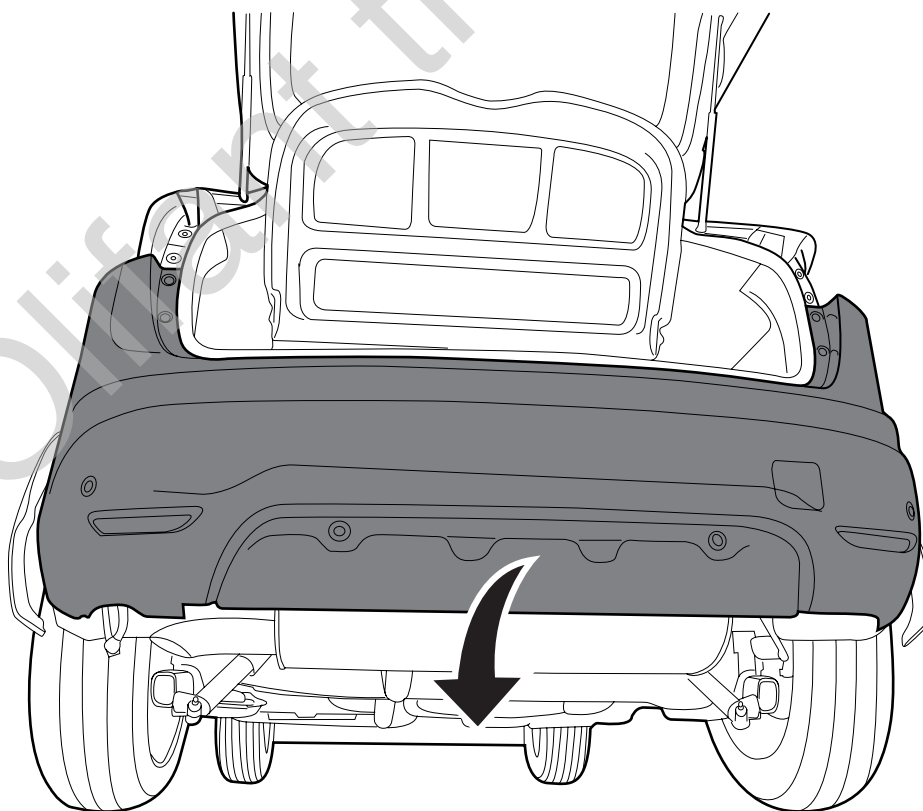
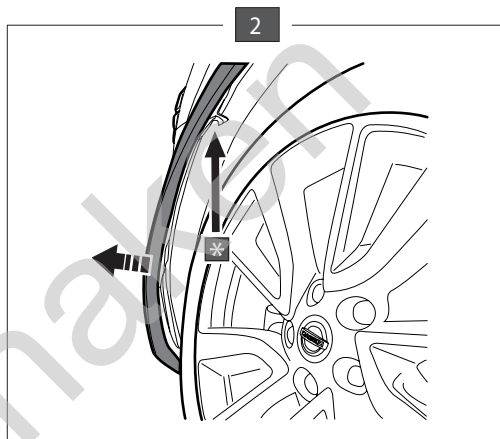
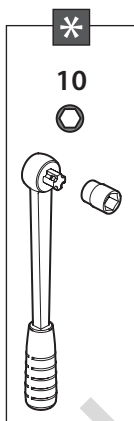
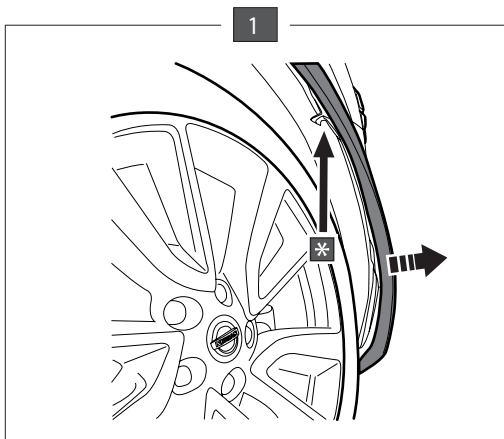
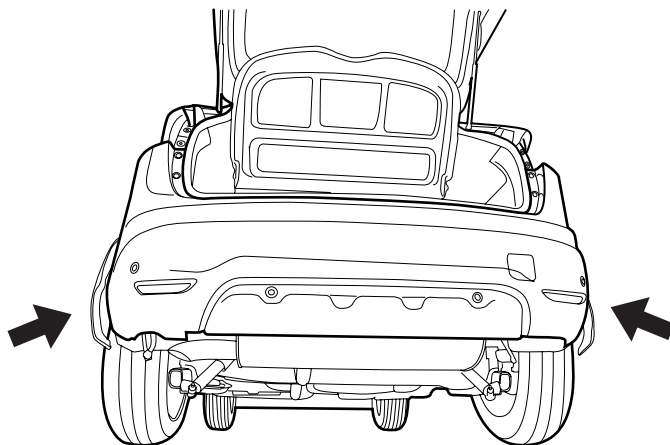
1		X1	GDW REF. 2022T60
2		X1	GDW REF. 2
3		X1	GDW REF. 3
4		X1	GDW REF. 4
5		X1	GDW REF. 5
6		X1	GDW REF. 6
7		X2	GDW REF. 7
8		X1	GDW REF. 8
9		X4	DIN9021-M10 Ø 10,5 X 30 X 3
10		X6	DIN934-M10
11		X4	DIN933-M12X35
12		X4	DIN125A-M12-ELVZ
13		+1	QASHQAI +2 ONLY
14		X10	DIN933-M10X35
15		X4	DIN128A-M12
16		X4	DIN934-M12
17		X10	DIN125A-M10-ELVZ

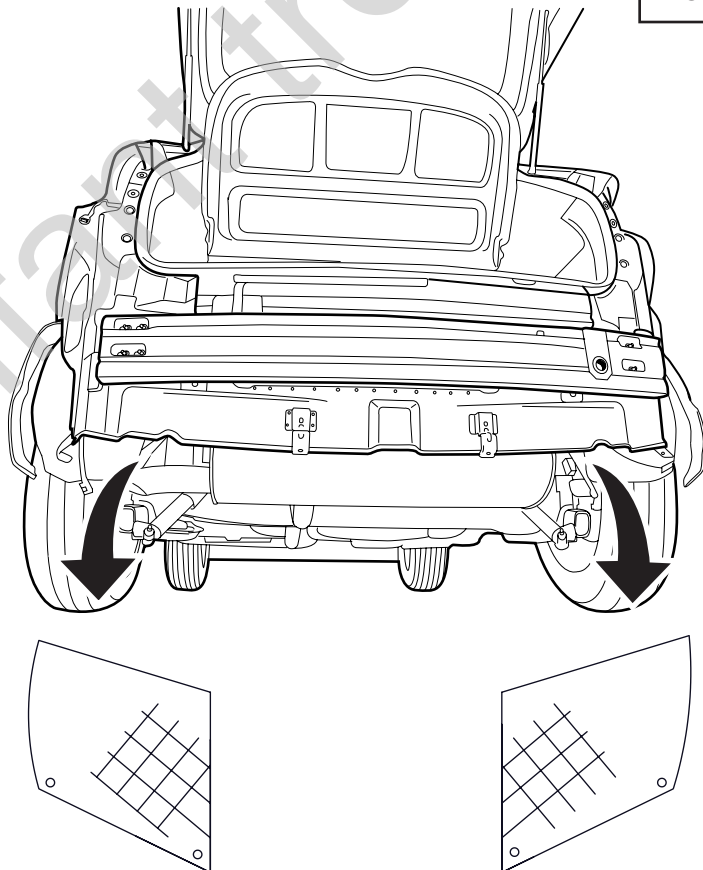
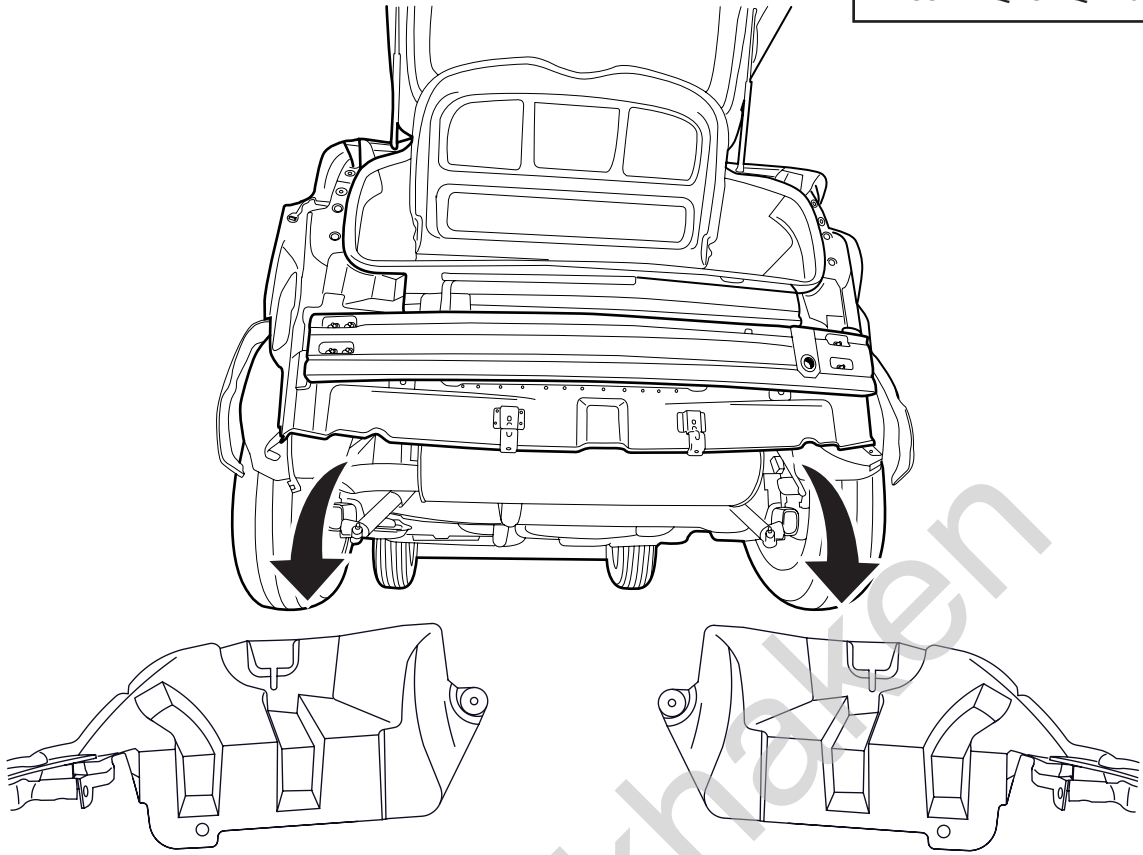
1



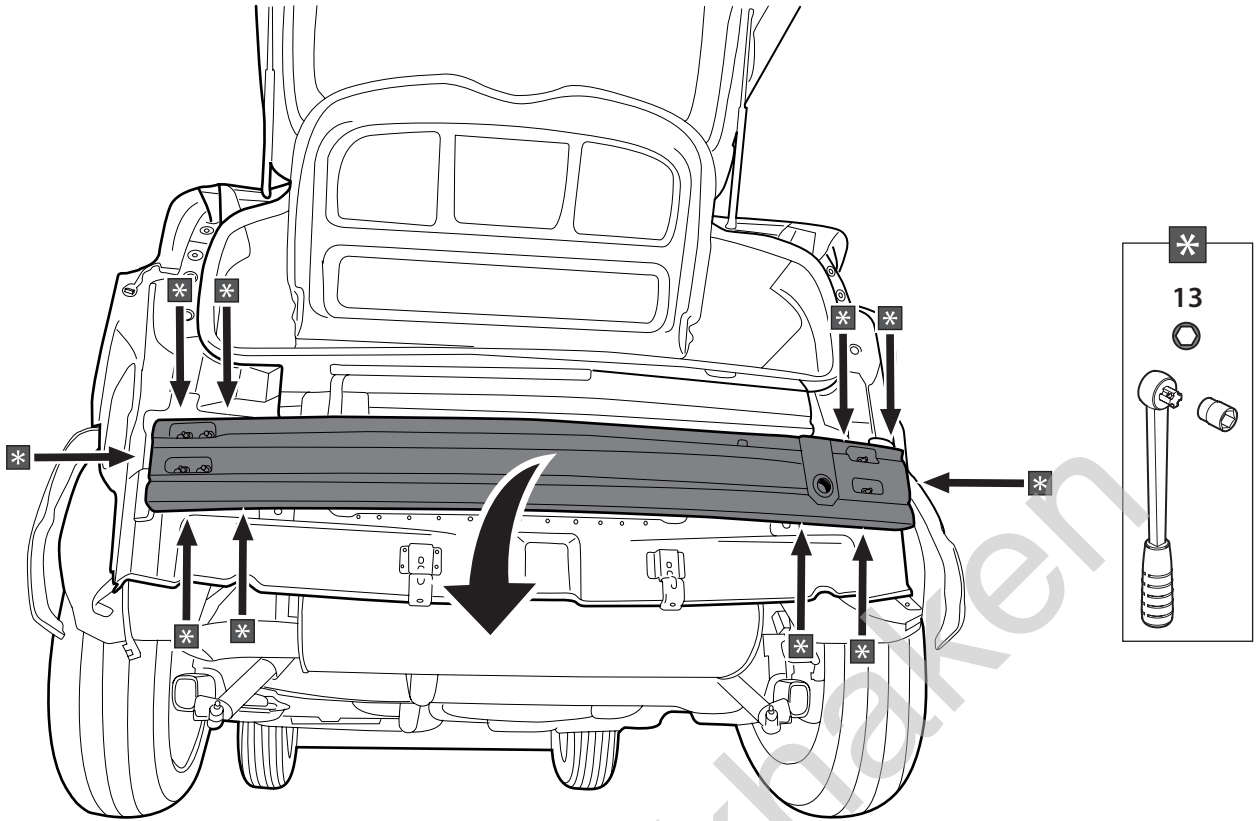
2



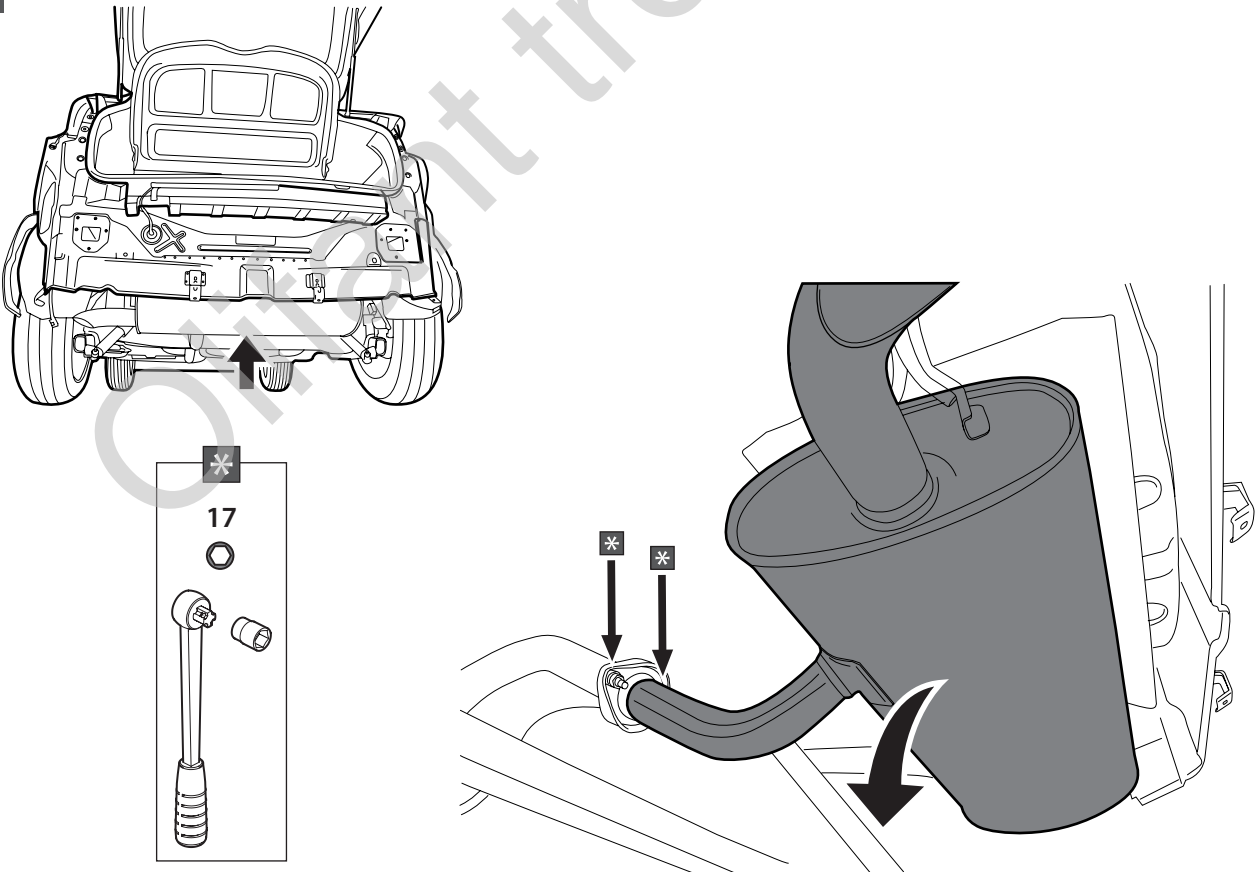


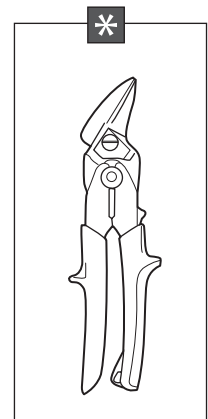
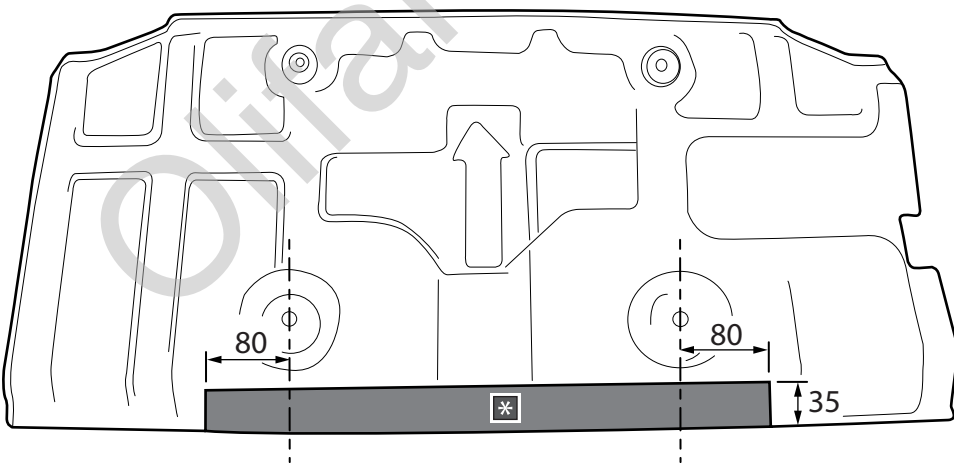
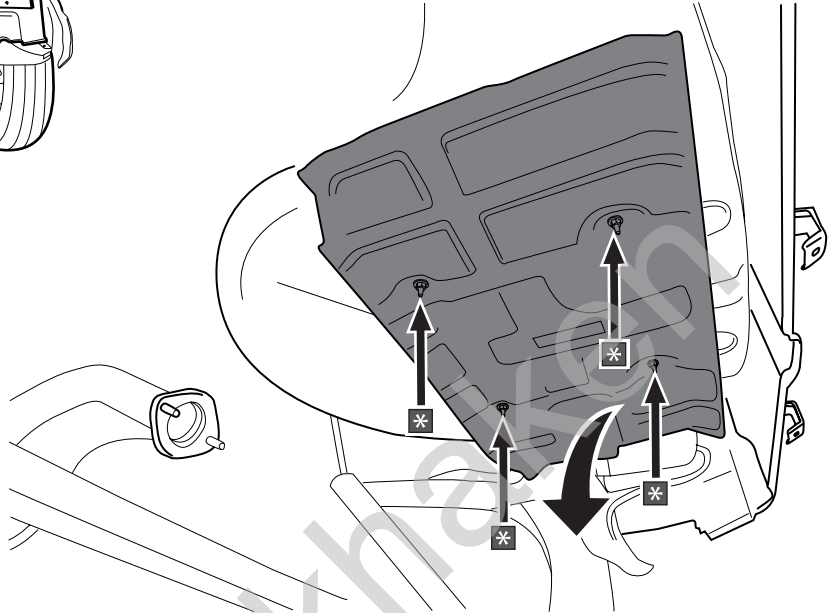
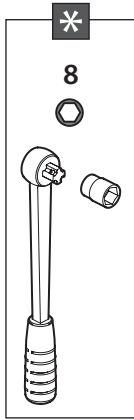
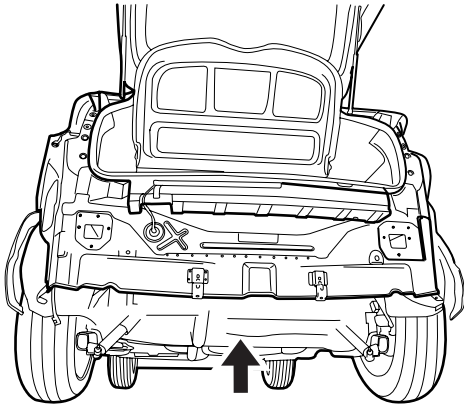


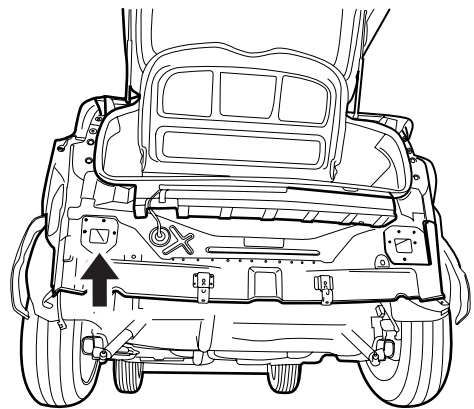
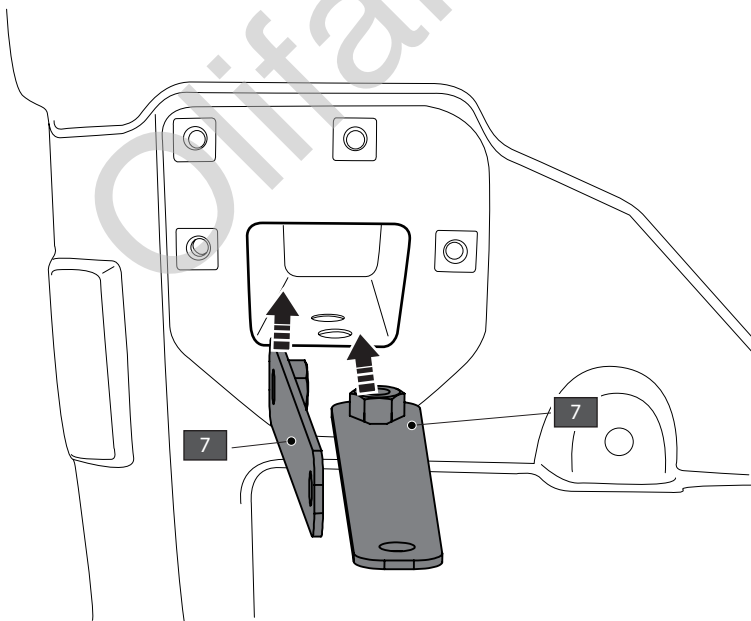
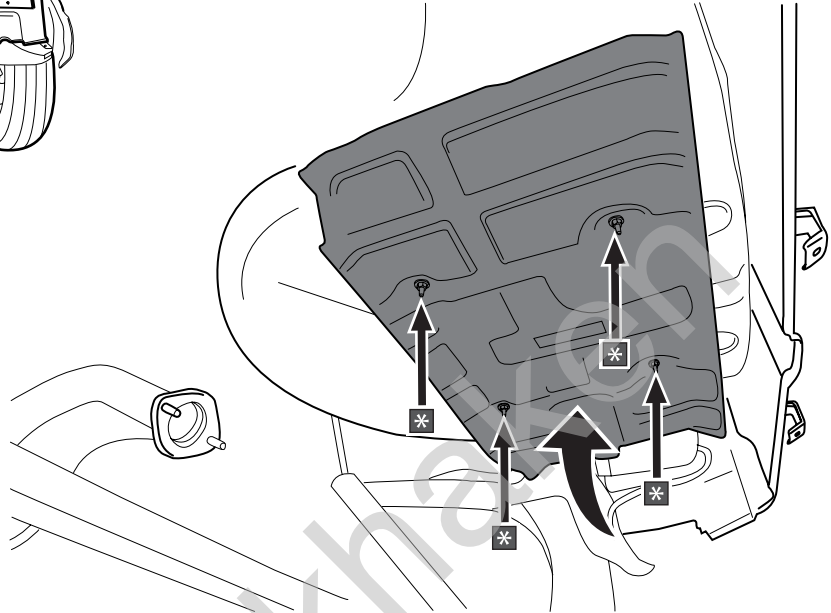
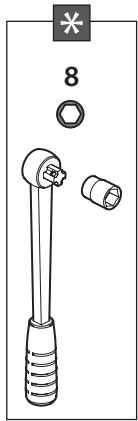
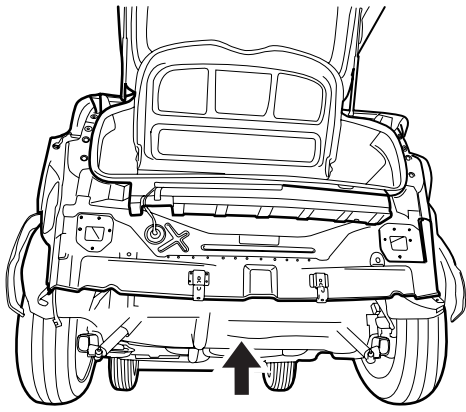
7

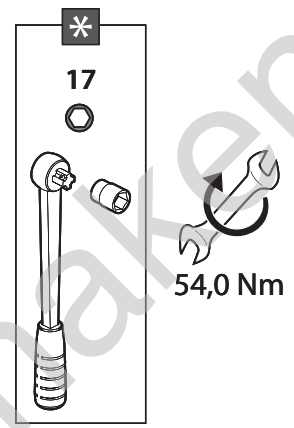
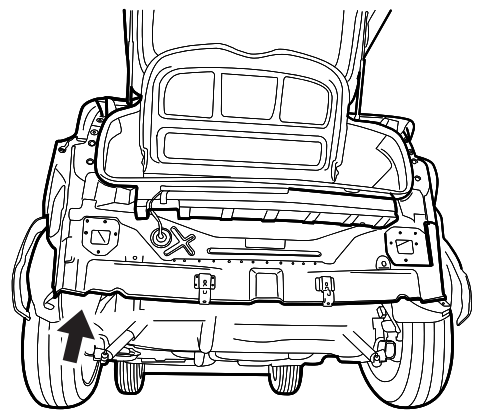
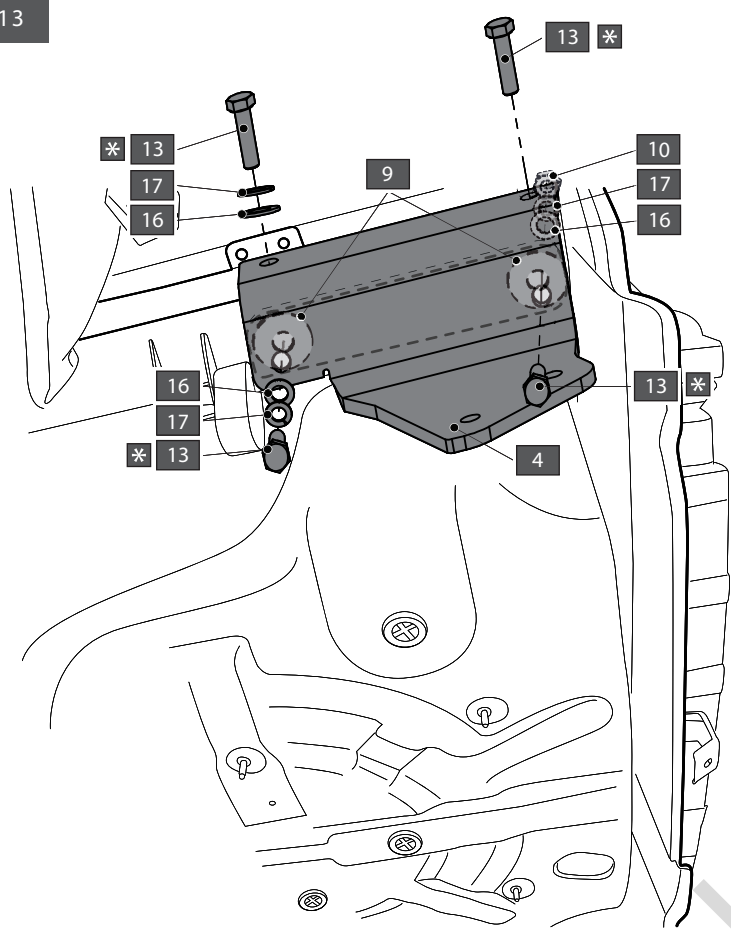


8

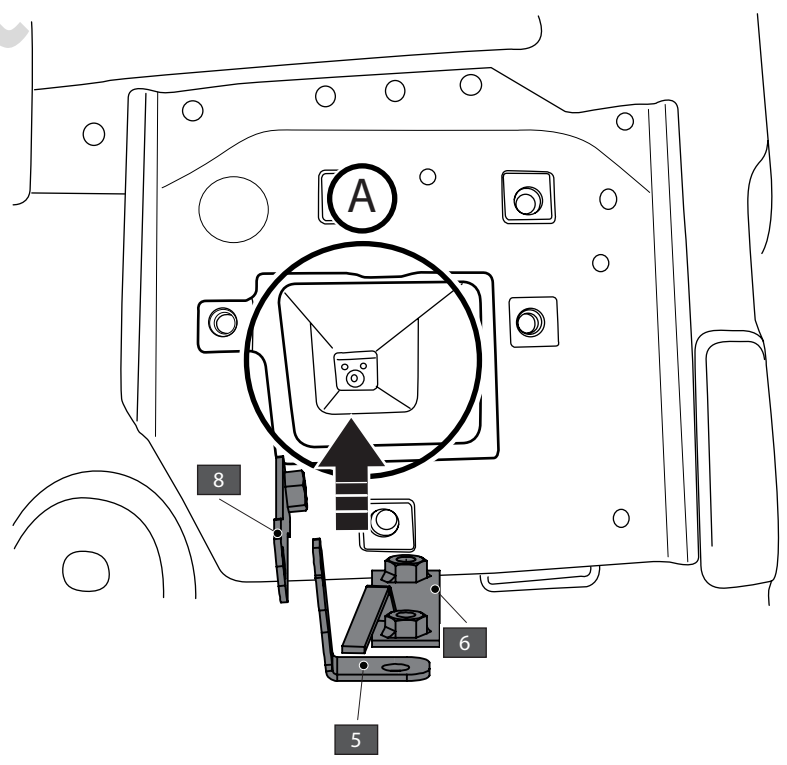
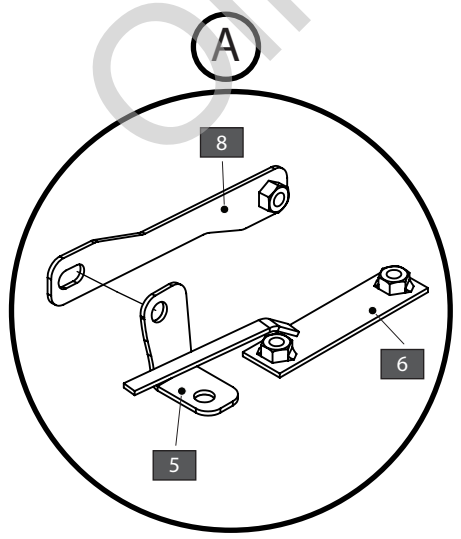
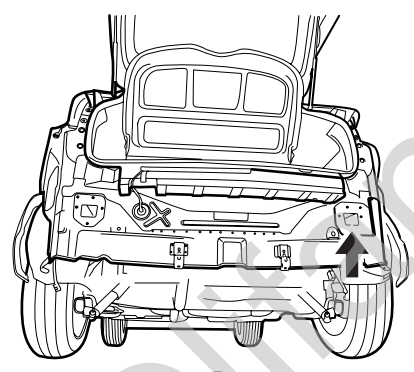




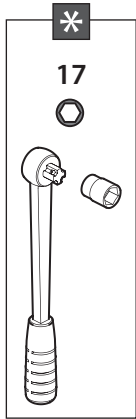
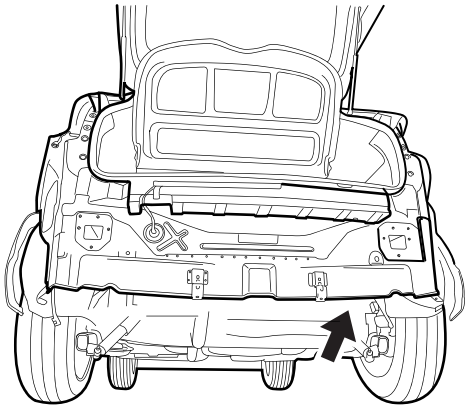




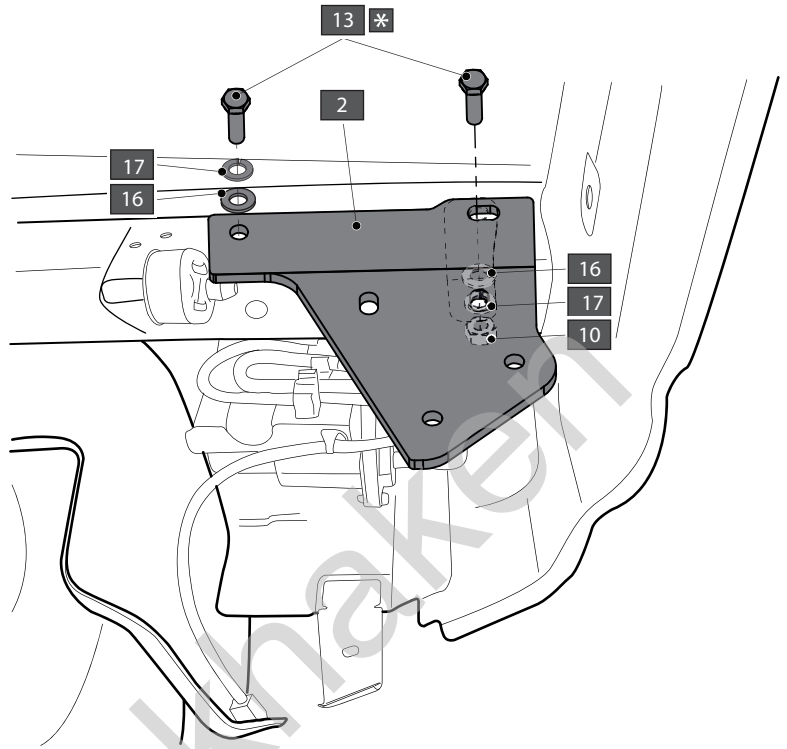
NISSAN QASHQAI '14-



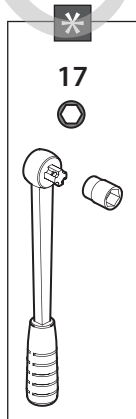
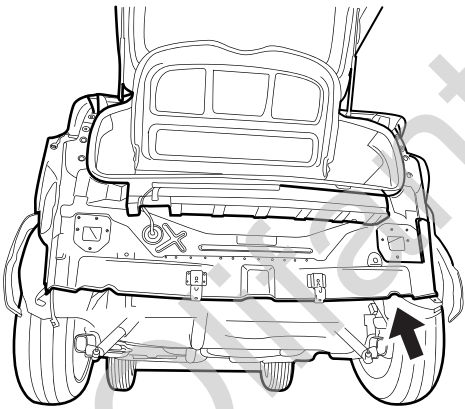
NISSAN QASHQAI '14-



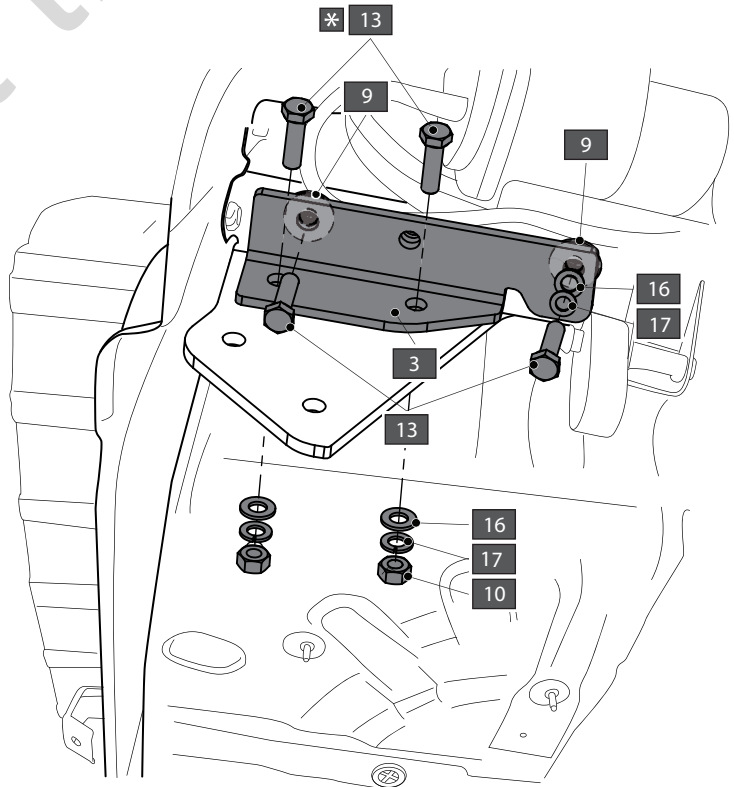
54,0 Nm

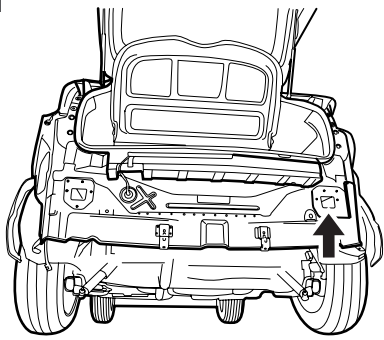


NISSAN QASHQAI '14-

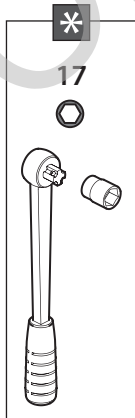
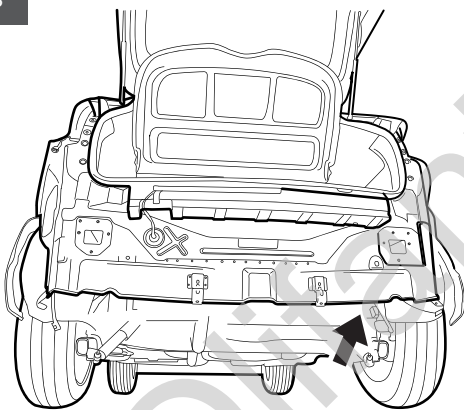
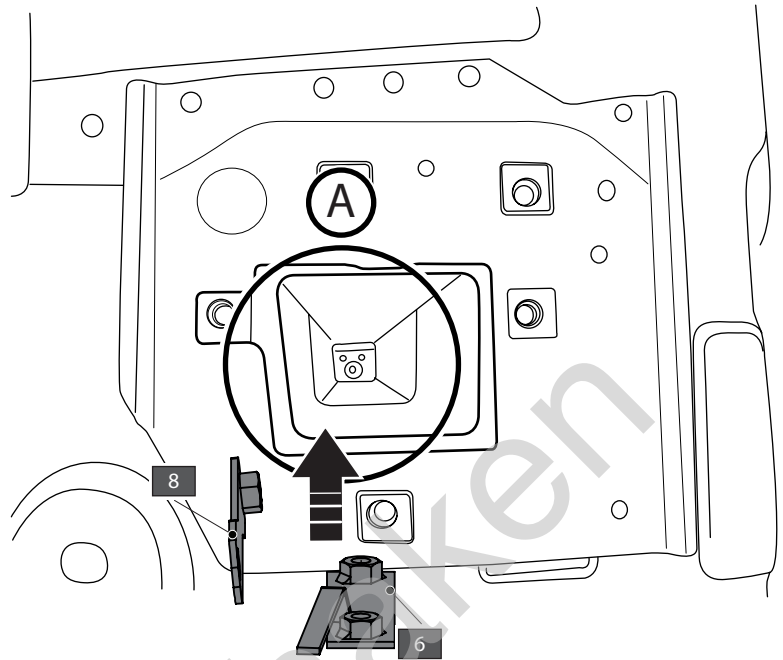
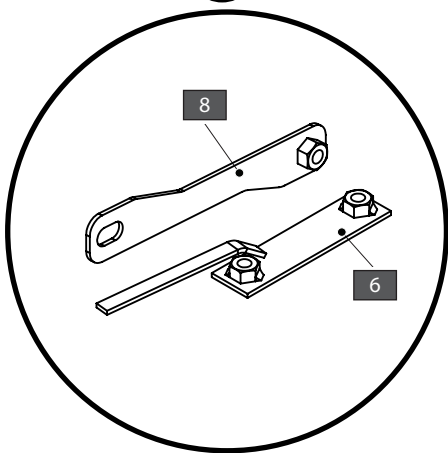


54,0 Nm

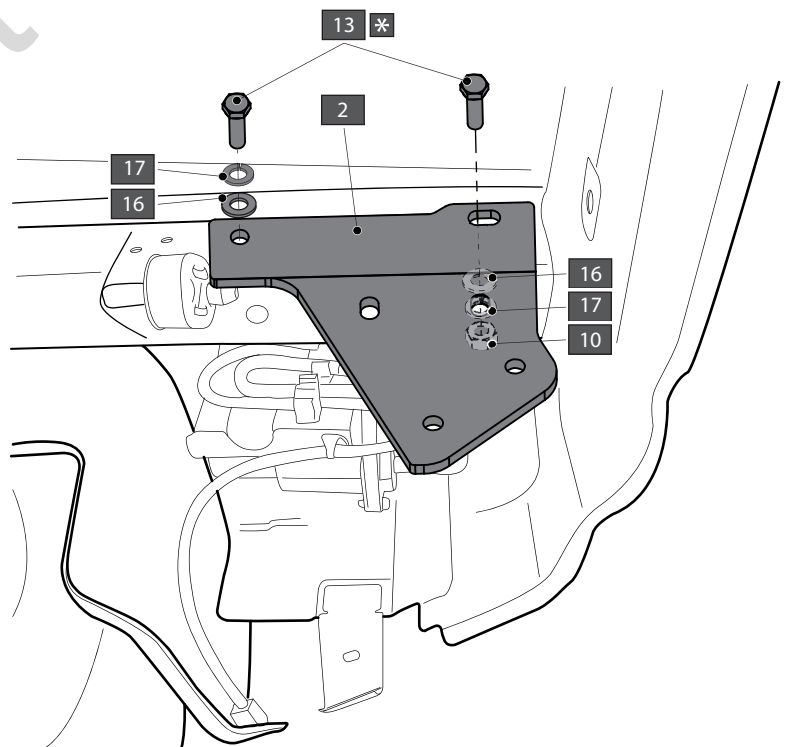


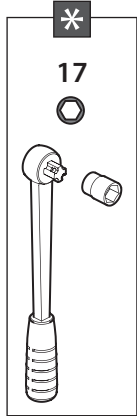
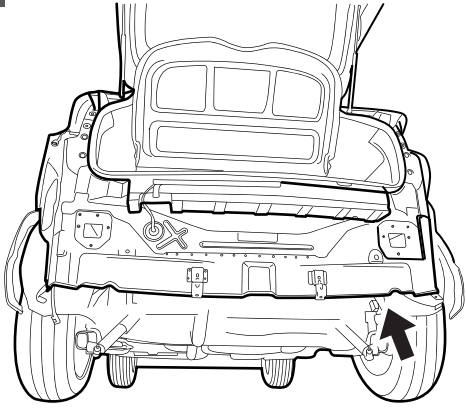


A

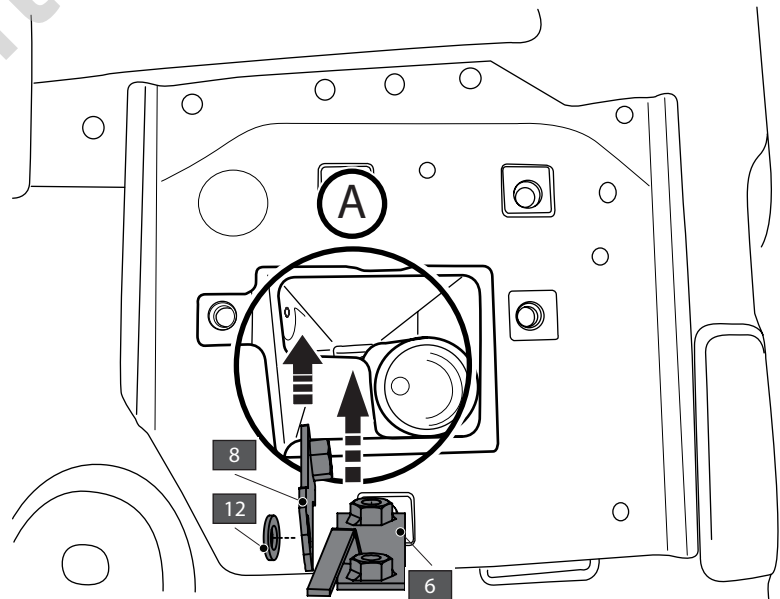
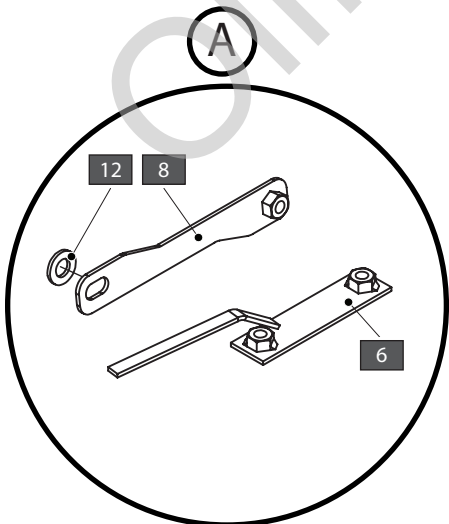
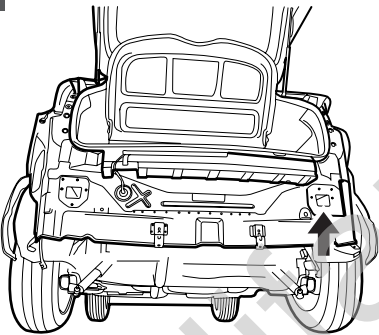
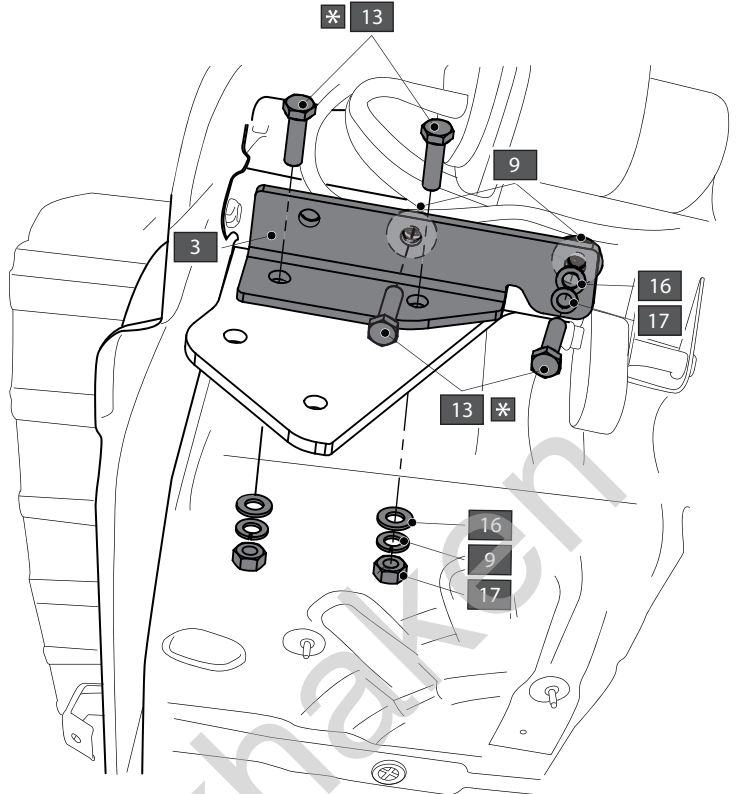


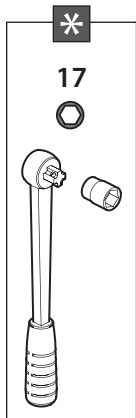
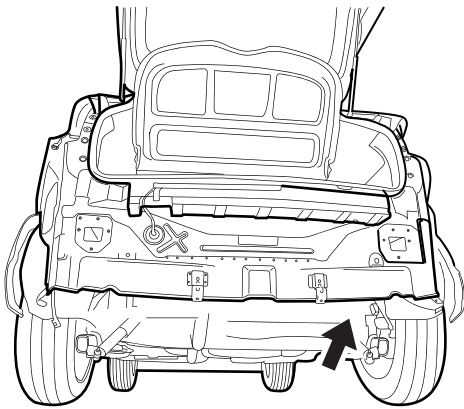
54,0 Nm



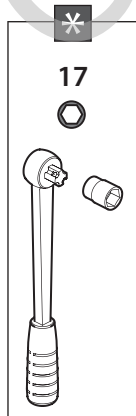
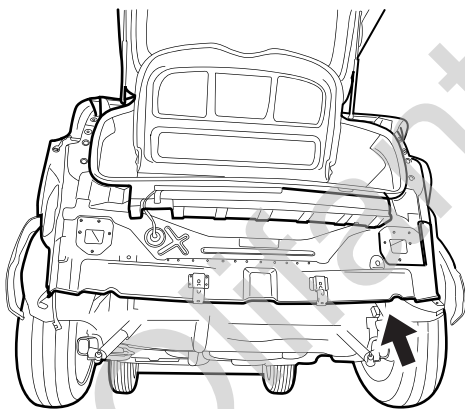
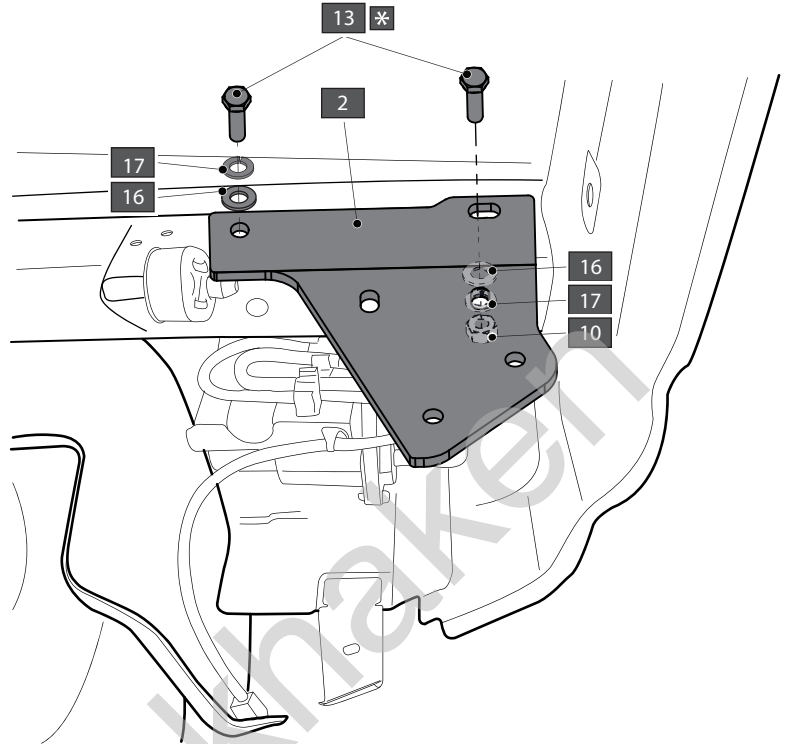


54,0 Nm

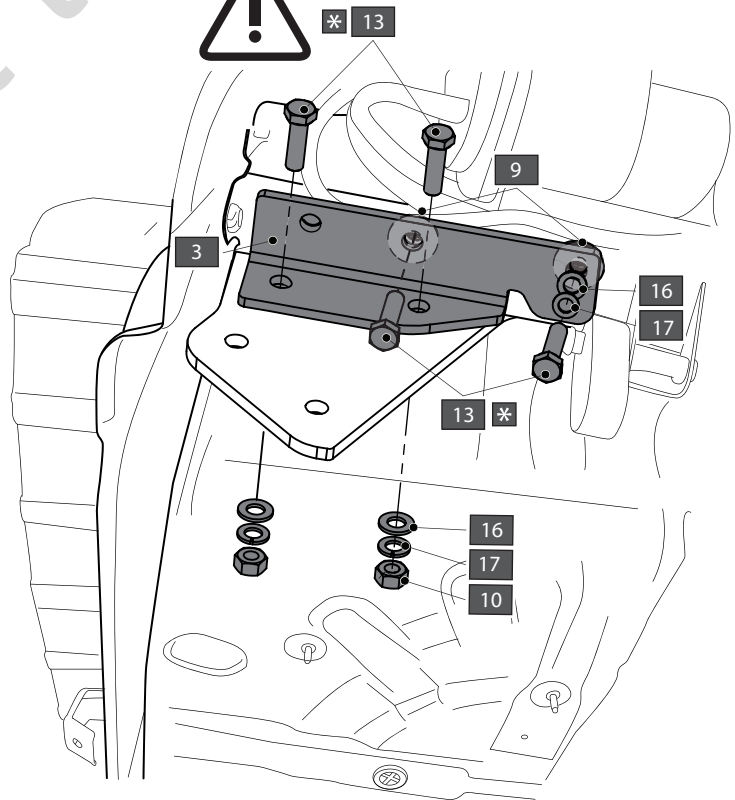


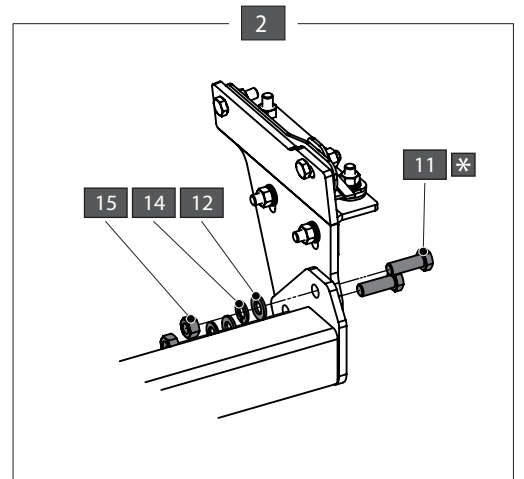
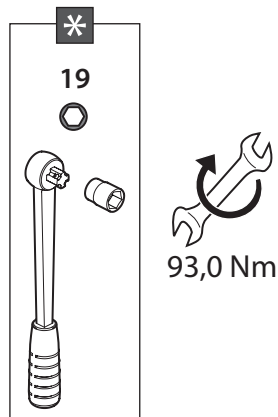
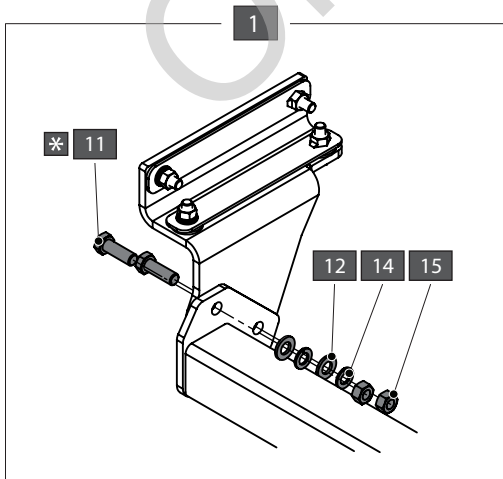
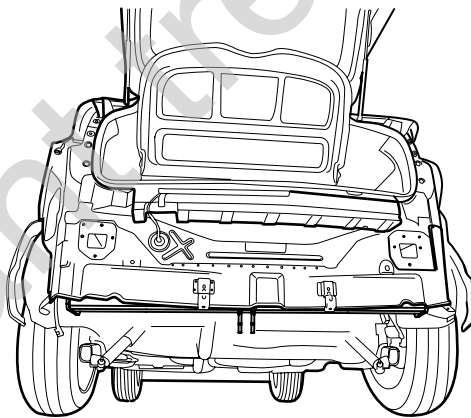
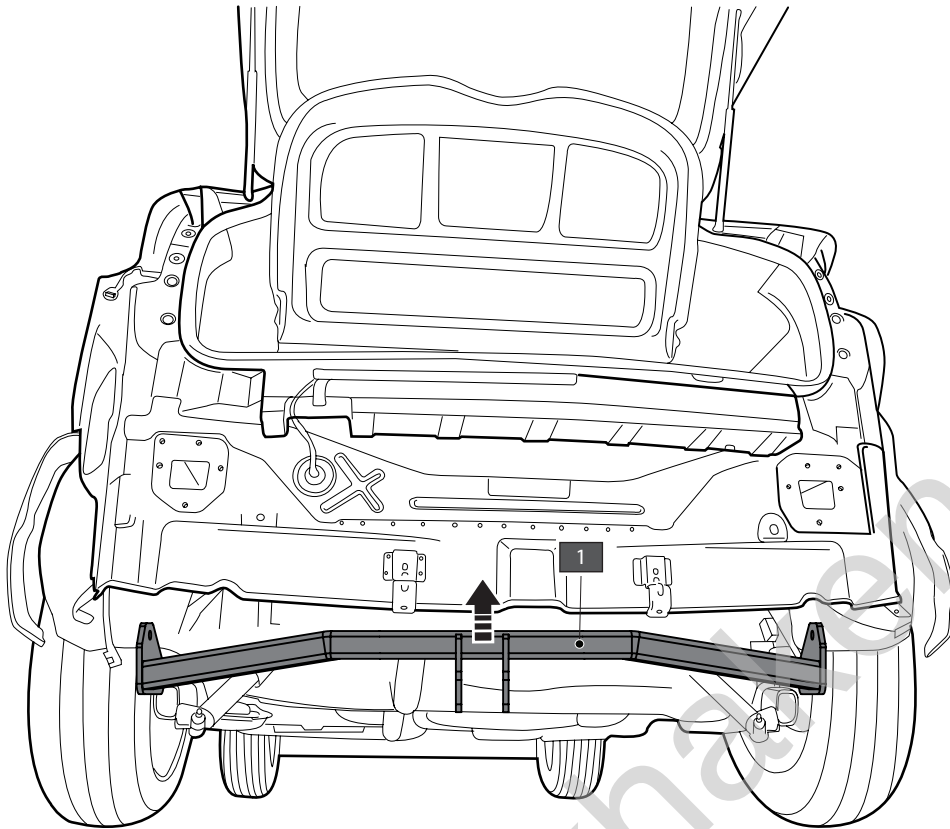


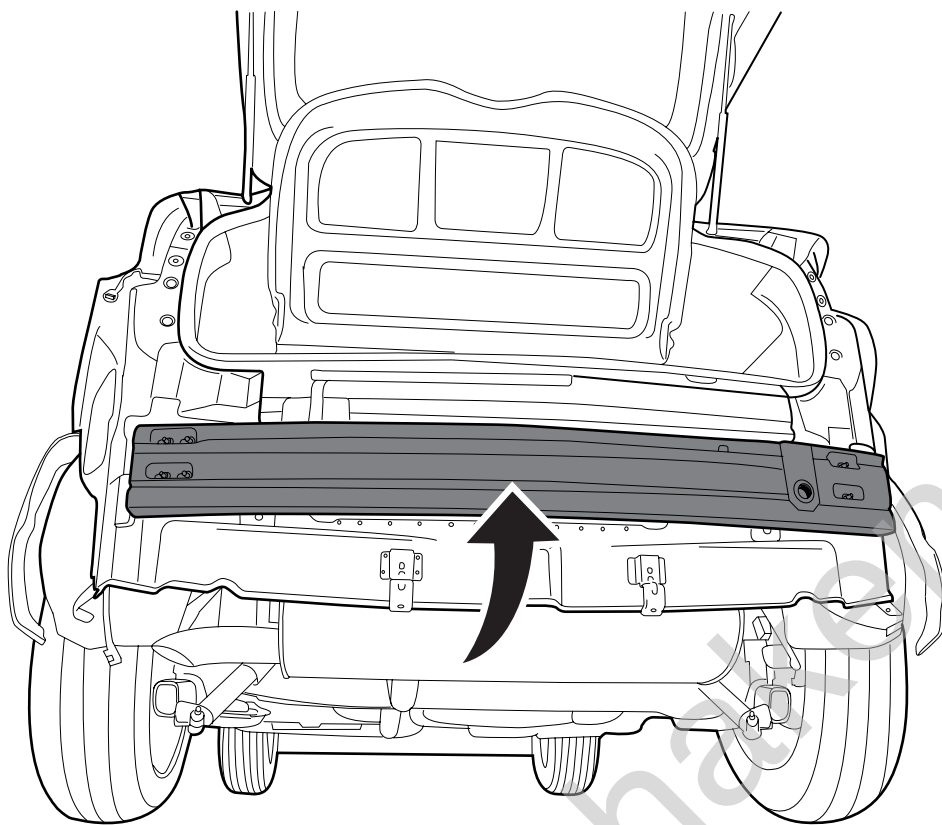
54,0 Nm



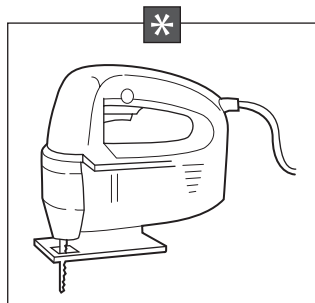
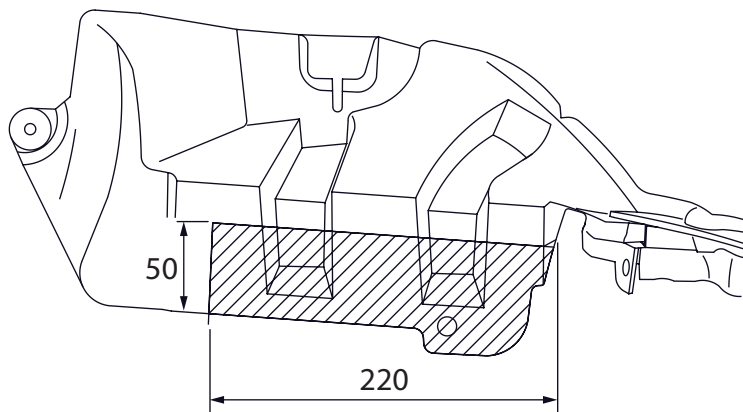
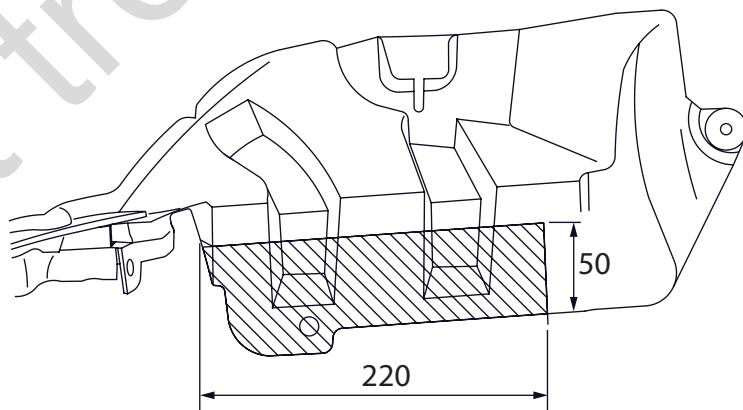
54,0 Nm



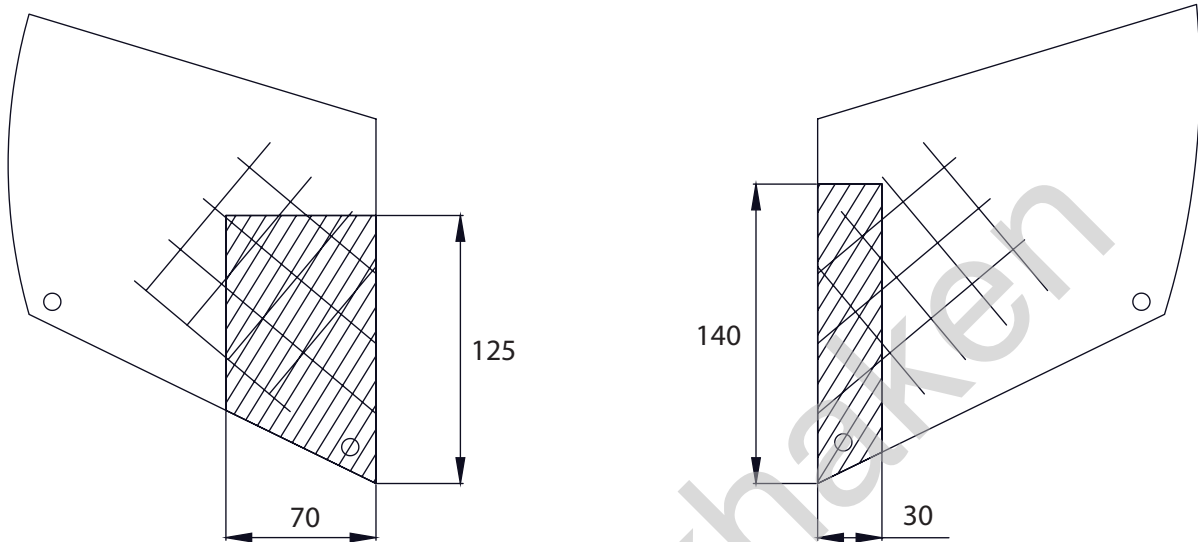
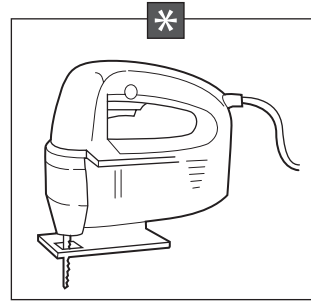




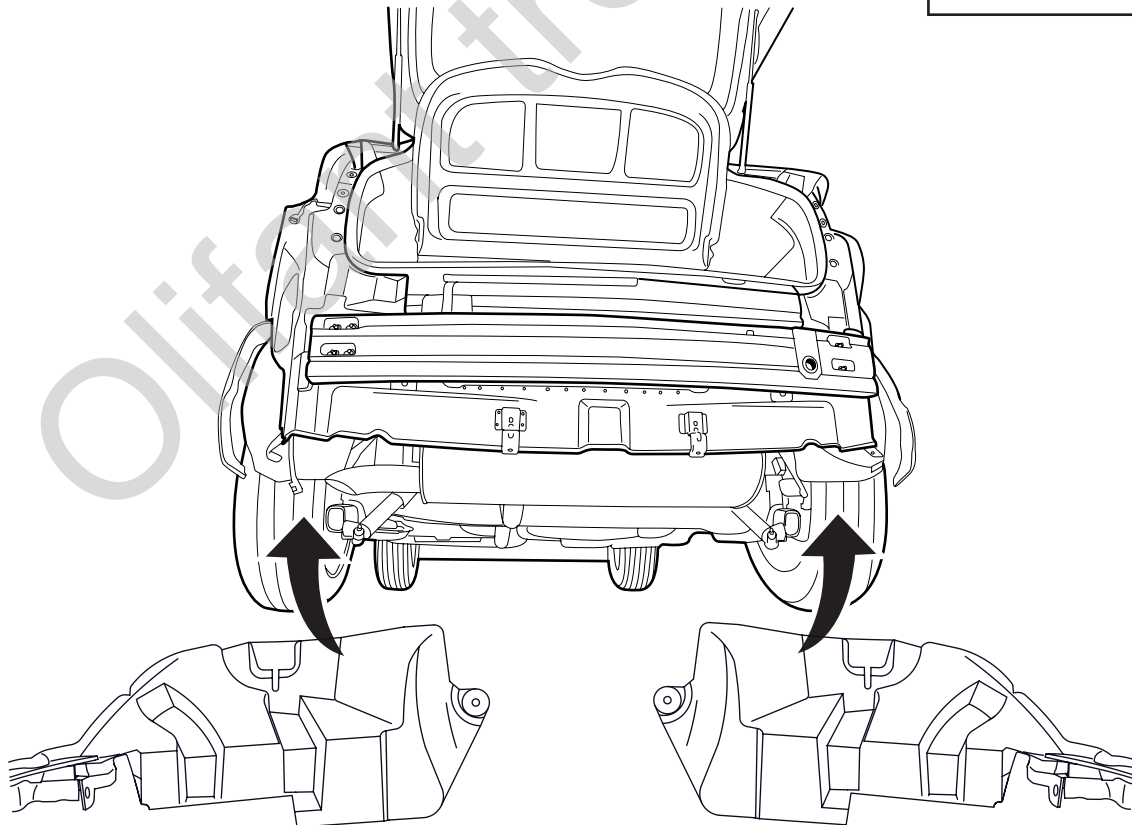
NISSAN QASHQAI '07-'14

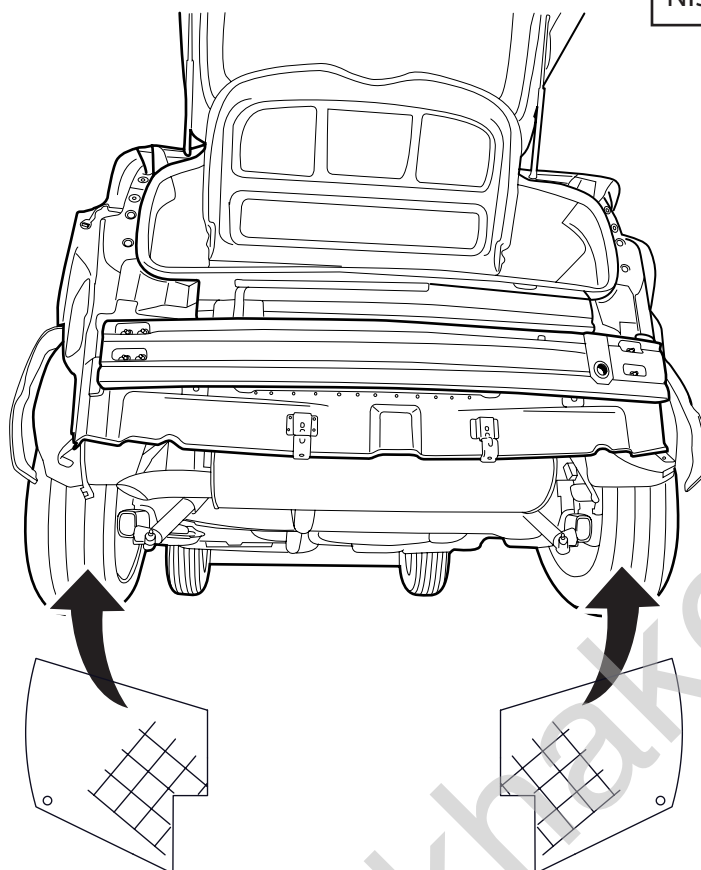


NISSAN QASHQAI +2'07-'14



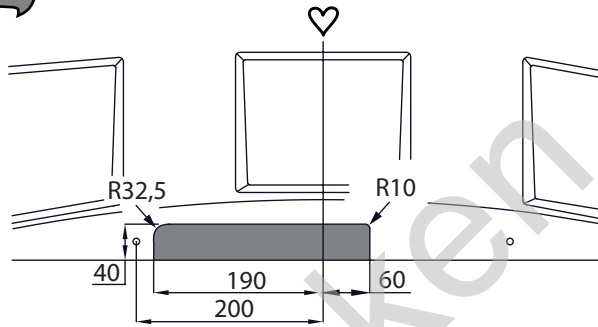
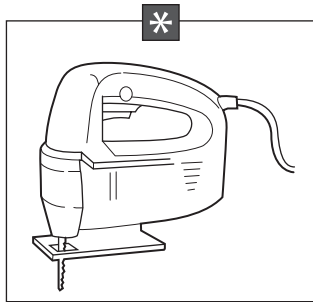
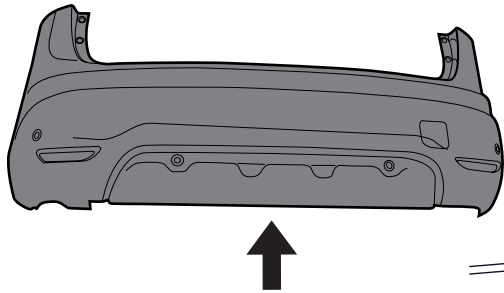
NISSAN QASHQAI '07-'14



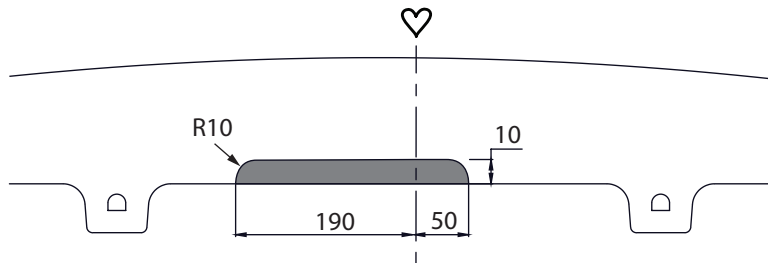
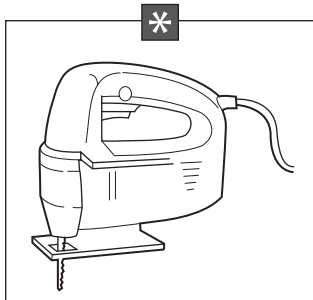
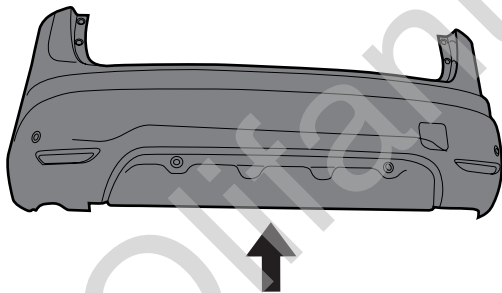


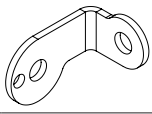


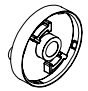

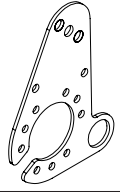

NISSAN QASHQAI	02/'07 => 10/'13	31	+	33	-	36
NISSAN QASHQAI +2	02/'07 => 10/'13	32	-	36		
NISSAN QASHQAI	11/'13 =>	33	-	36		

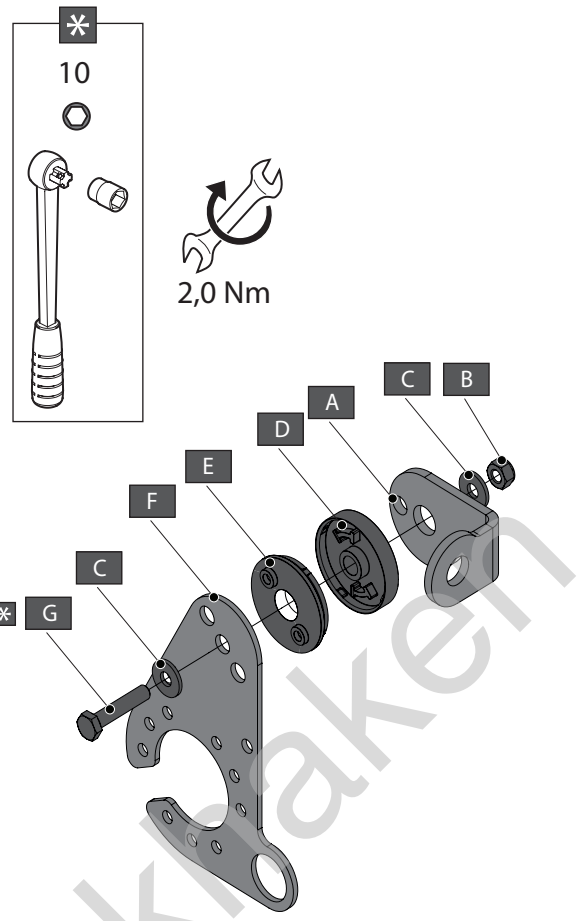
NISSAN QASHQAI 02/'07 - 10/'13









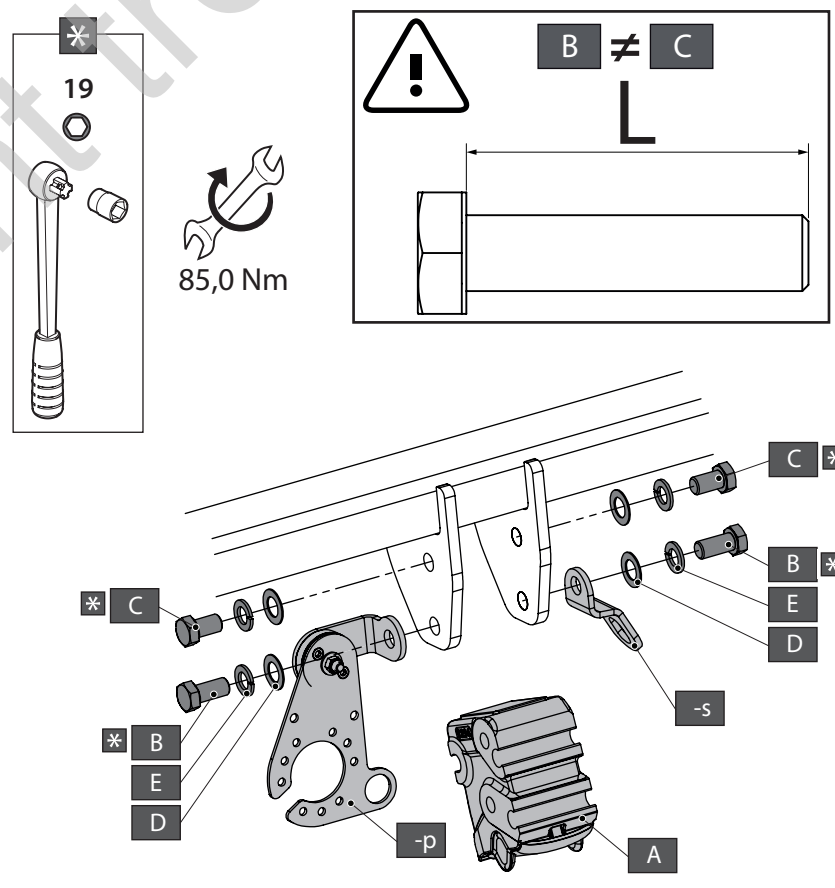
NISSAN QASHQAI +2 02/'07 - 10/'13

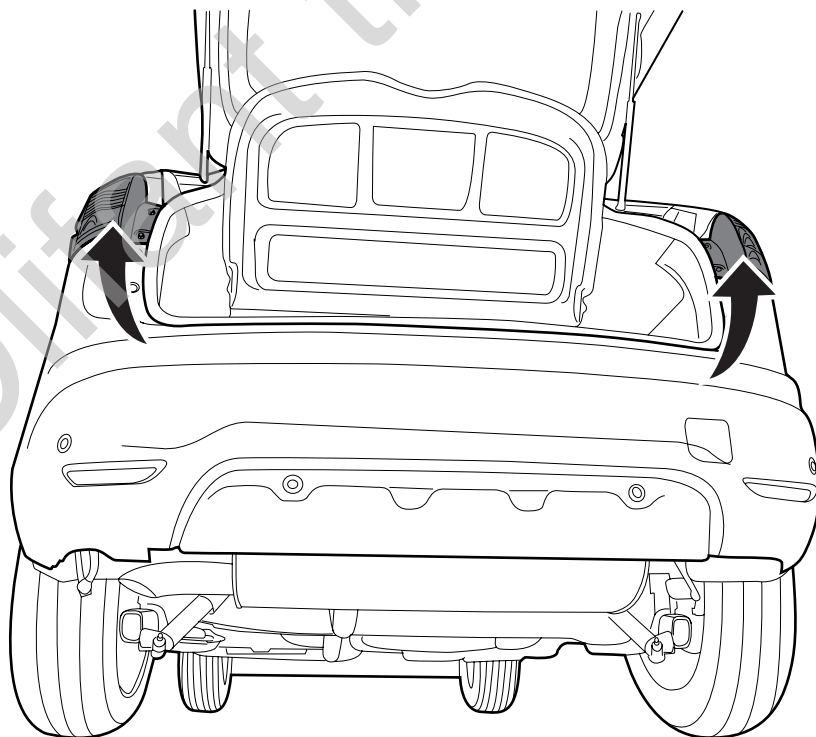
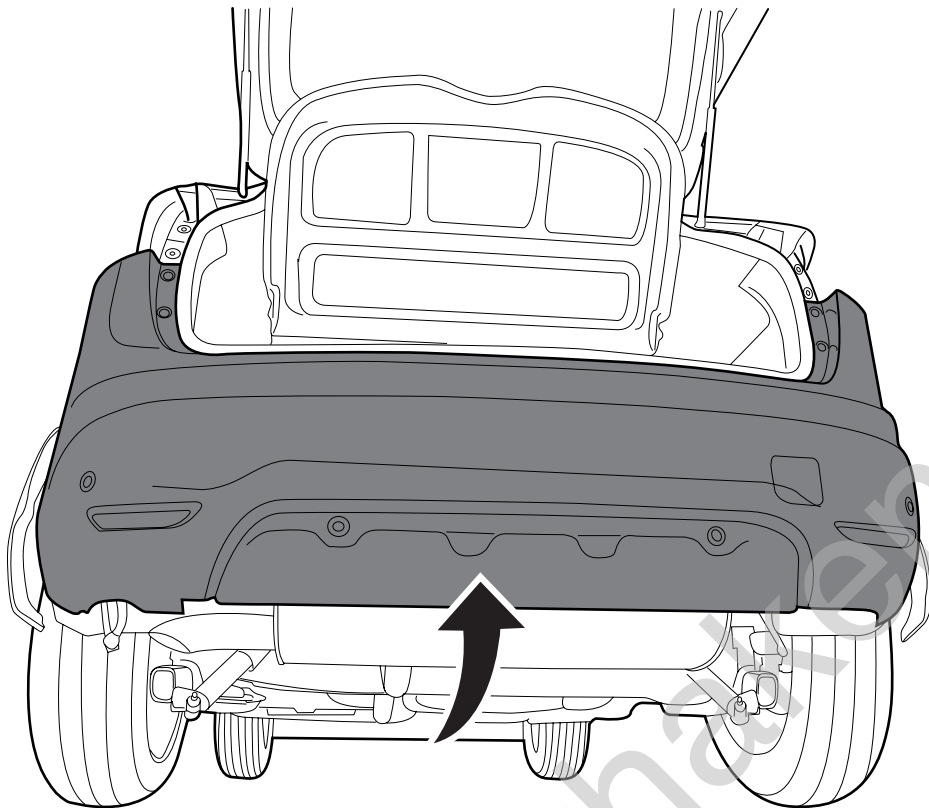


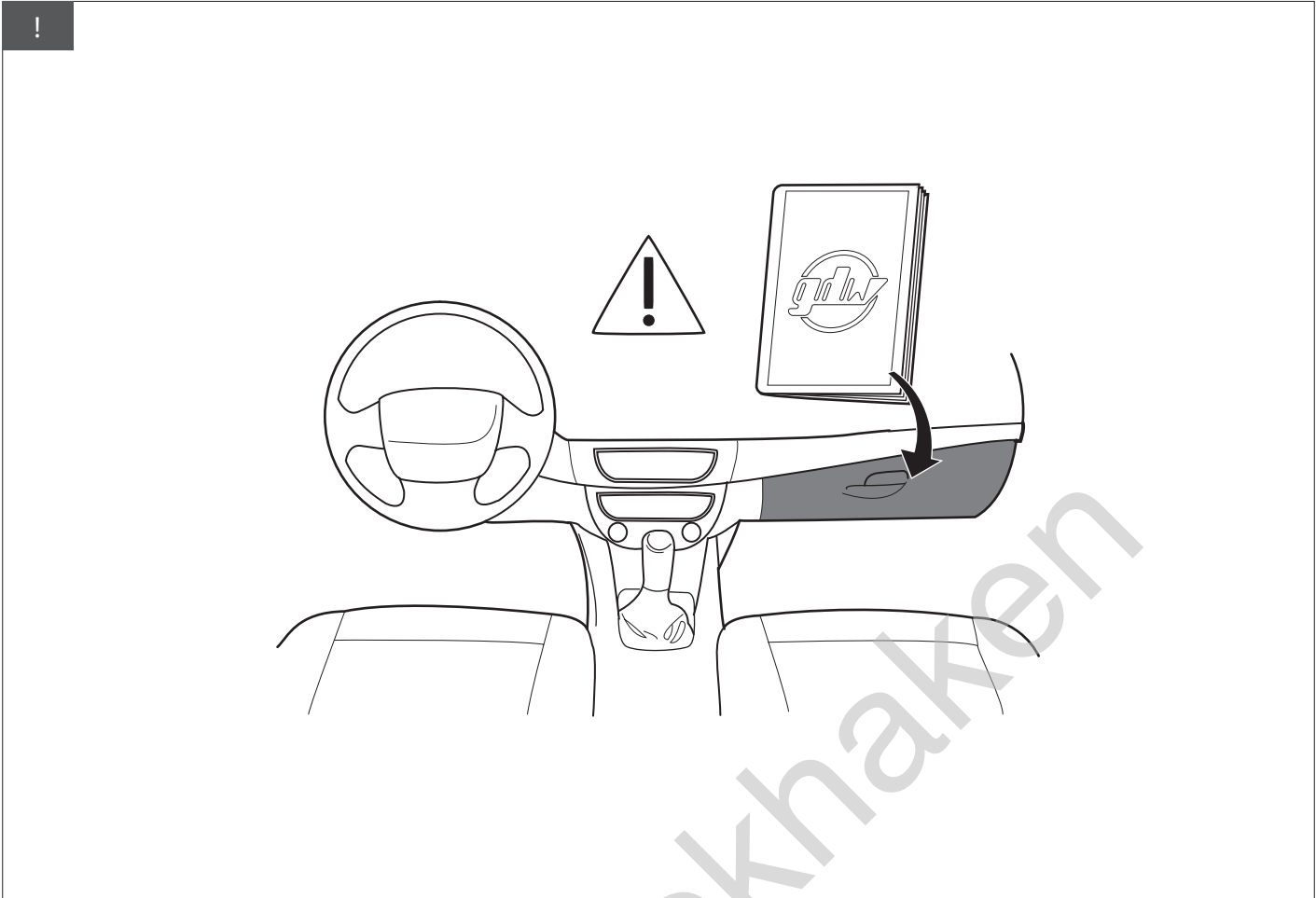
A		X1	908.098
B		X1	DIN985-M6
C		X2	6,2 X 15,4 X 1,6 (NYLON)
D		X1	GDW REF. 718.16.002
E		X1	GDW REF. 718.16.003
F		X1	GDW REF. 908.094
G		X1	DIN933-M6 X 30



A		X1	912.003
B		X2	DIN933-M12 X 25
C		X2	DIN933-M12 X 20
D		X4	Ø 14 X 24 X 1
E		X4	DIN128A-M12
-S		X1	GDW REF. 900.053







Olifant trekhaken