



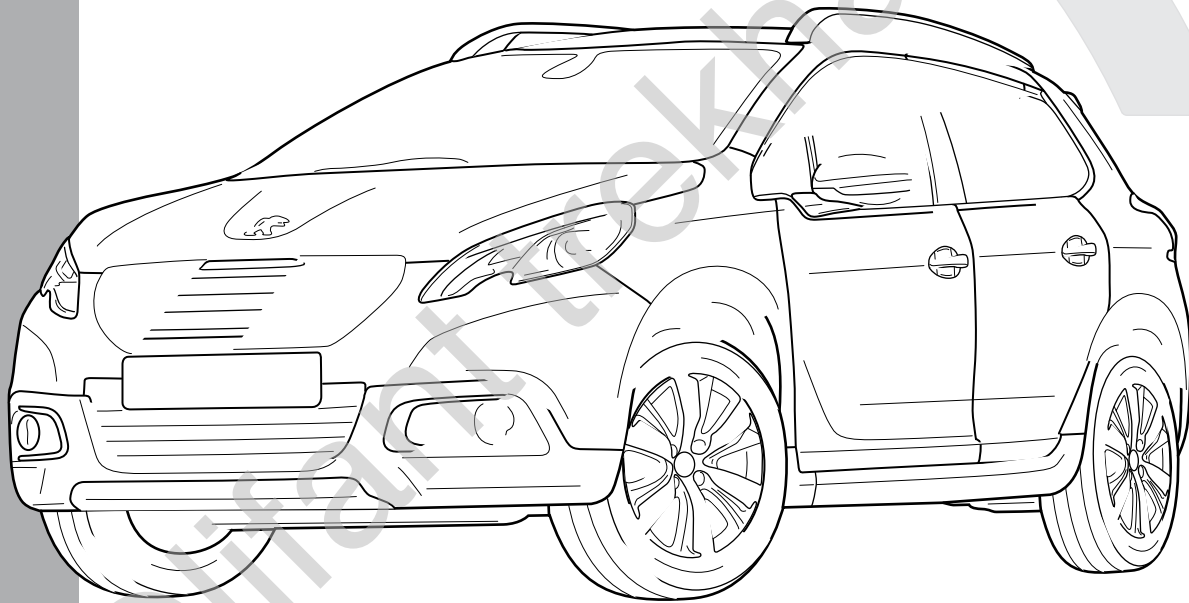
TREKHAKEN • ATTELAGES • ANHÄNGERVORRICHTUNGEN • TOWBARS • ENHANCES • ANHÆNGERTRÆK

Montagehandleiding | instructions de montage | Einbauanleitung | Mounting instruction  
Instrucciones de montaje | monteringsvejledning




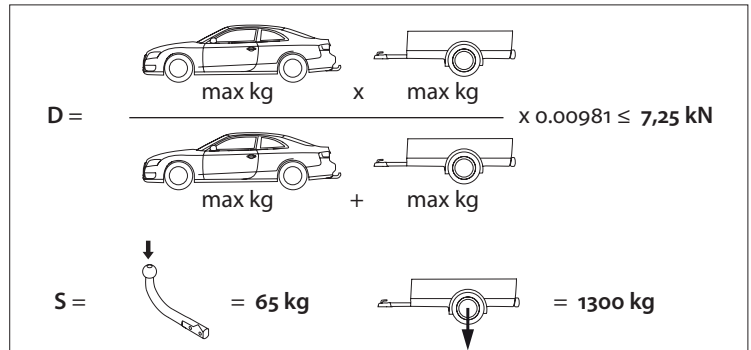
# Peugeot 2008

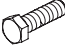
06/'13-

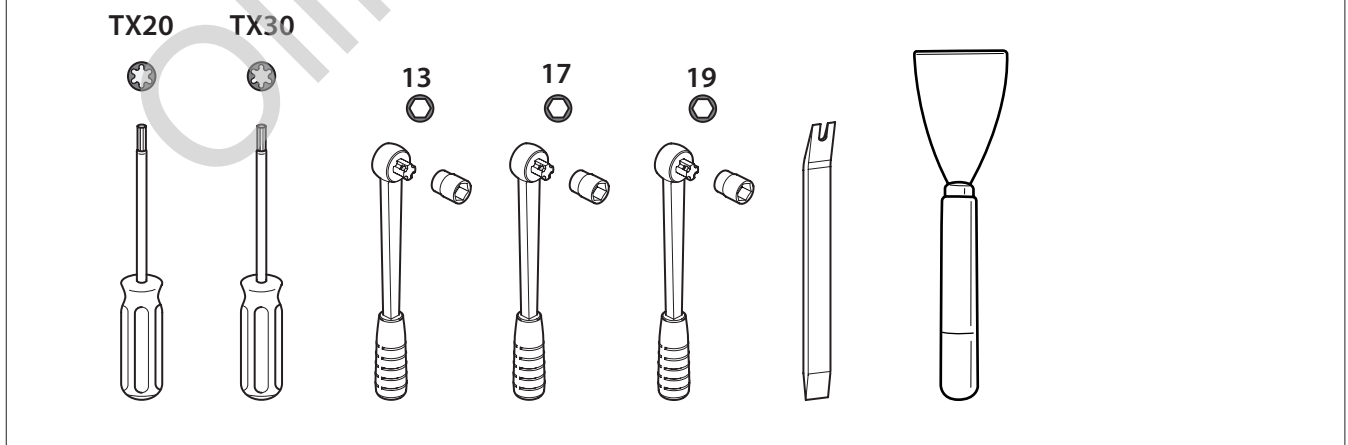
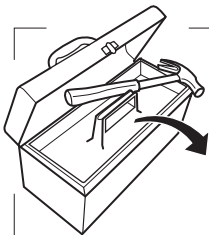


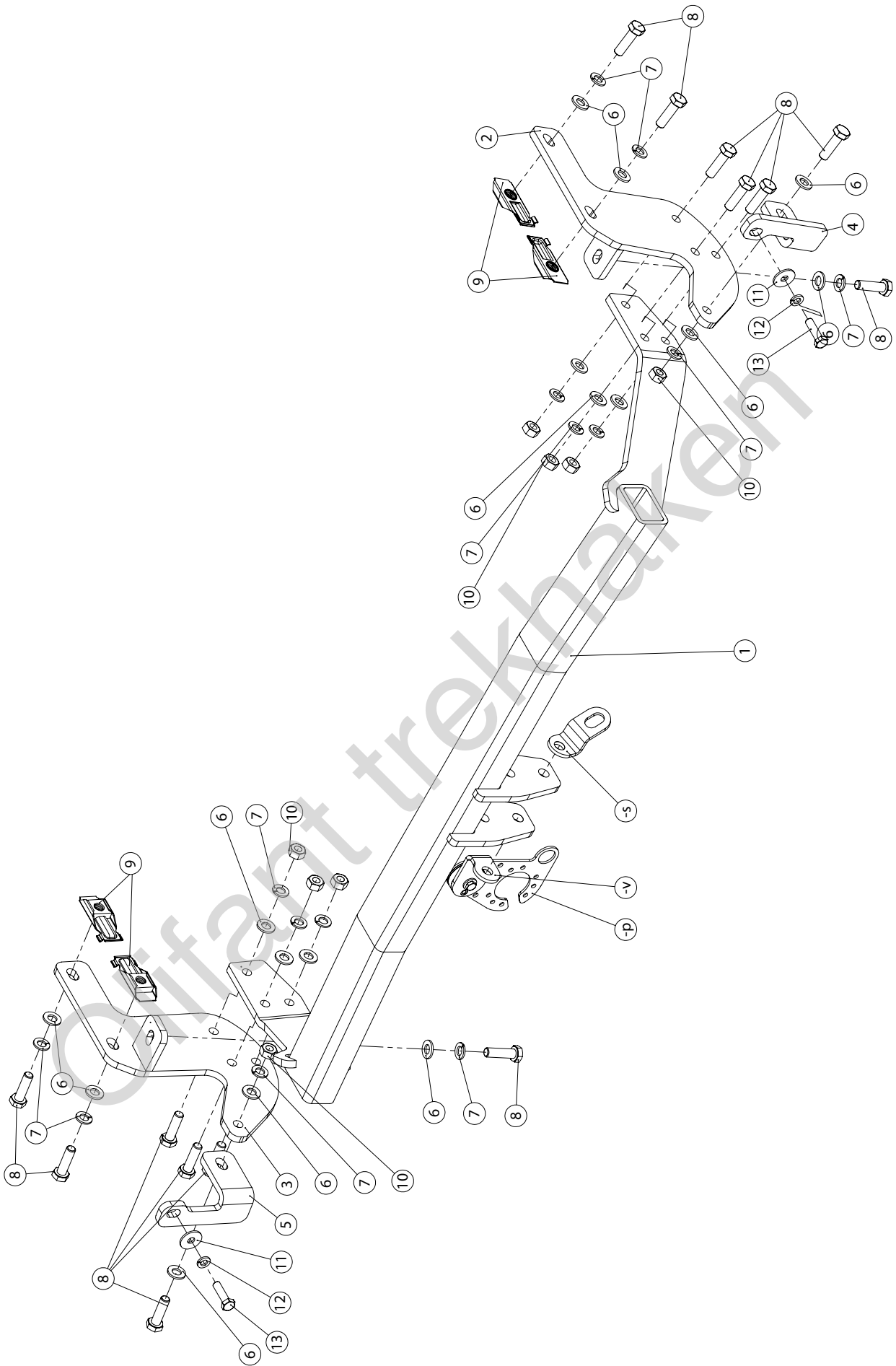
See the Certificate Of Conformity (COC) of your vehicle or contact your dealer to verify the max. trailer weight of your car!

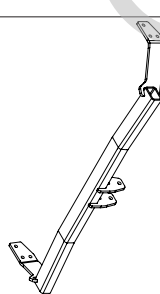
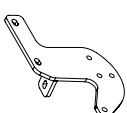
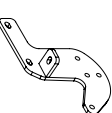






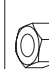

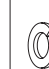
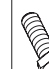
MADE BY	<b>D 7,25</b>	<b>F</b>	<b>E6</b>
		EC APPROVAL N°	
BELGIUM	<b>S 65</b>	55R-011060	
REF N°	SERIE N°		
1987T60			
OMSCHRIJVING			
Peugeot 2008 06-'13-			

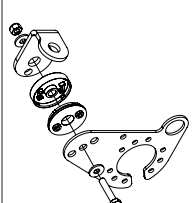




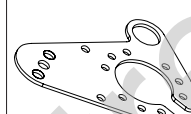

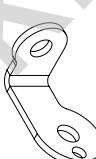


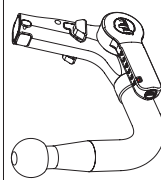

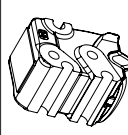


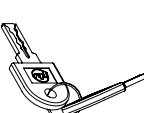

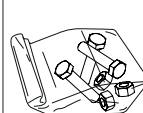




	M 6	M 8	M 10	M 12	M 14	M 16
8.8	10,4 Nm	25,0 Nm	51,0 Nm	87,0 Nm	140,0 Nm	215,0 Nm
10.9	15,5 Nm	37,0 Nm	75,0 Nm	130,0 Nm	205,0 Nm	310, Nm
12.9	18,0 Nm	43,0 Nm	87,0 Nm	150,0 Nm	240,0 Nm	370,0 Nm



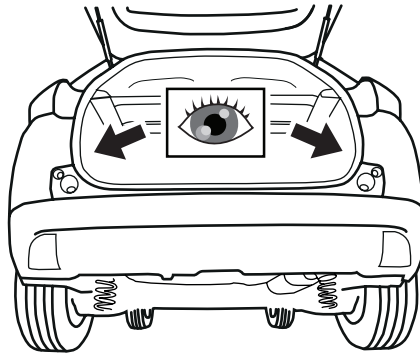


1		X1	GDW REF. 1987T60
2		X1	GDW REF. 2
3		X1	GDW REF. 3
4		X1	GDW REF. 4
5		X1	GDW REF. 5
6		X16	DIN125A-M10-ELVZ
7		X14	DIN128A-M10
8		X14	DIN933-M10X35
9		4X	M10-CL4870-1-150
10		X8	DIN934-M10
11		X2	DIN9021 Ø 8,4 x 25 x 2
12		X2	DIN128A-M8
13		X2	DIN933-M8X30

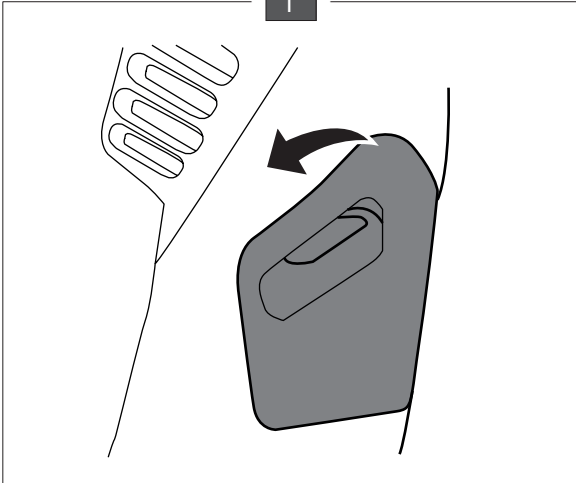
-P		X1	GDW REF. P42
↳		X1	DIN985-M6
↳		X2	6,2 x 15,4 x 1,6 (NYLON)
↳		X1	GDW REF. 718.16.002
↳		X1	GDW REF. 718.16.003
↳		X1	GDW REF. 908.094
↳		X1	DIN933-M6 X 30
↳		X1	GDW REF. 908.098

Geleverd met - Livré avec - Delivered with Geflefert mit - Elementos adjuntos-Leveres med		X1	GDW REF. 960.V1008
↳		X1	GDW REF. 740.200
↳		X1	GDW REF. 912.003
↳		X1	GDW REF. 740.112
↳		X1	GDW REF. 740.111
↳		X1	GDW REF. 740.114
↳		X1	GDW REF. 718.15.001
↳		X1	GDW REF. SYST60-100
↳		X2	DIN933-M12 X 25
↳		X2	DIN933-M12 X 20
↳		X4	Ø 14 x 24 x 1
↳		X4	DIN128A-M12

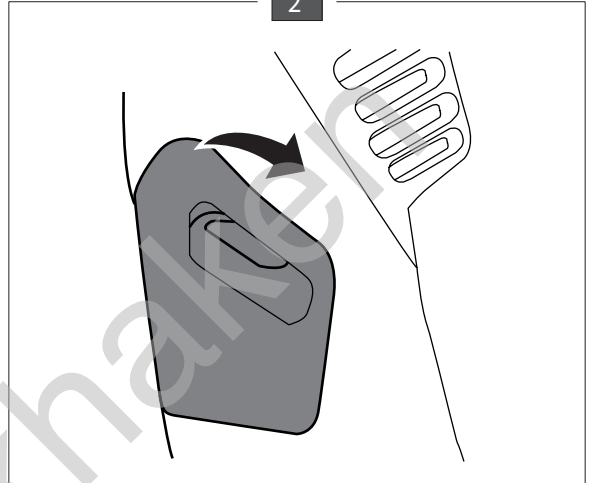
1



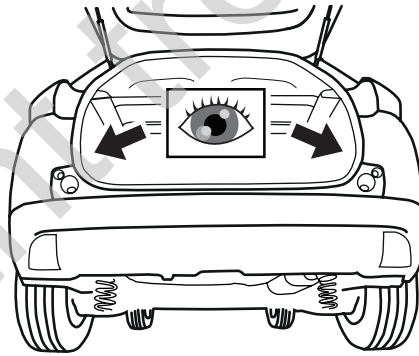
1



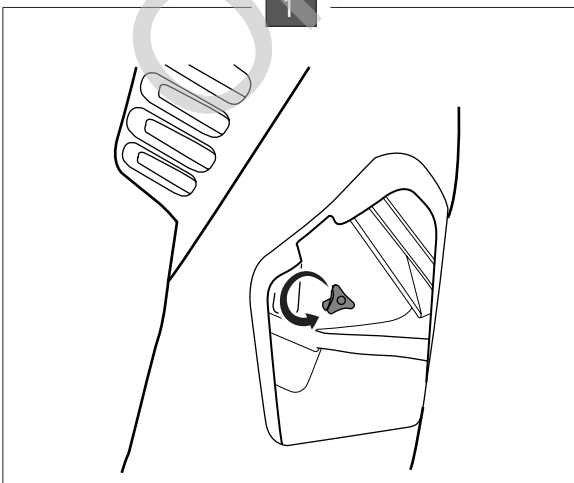
2



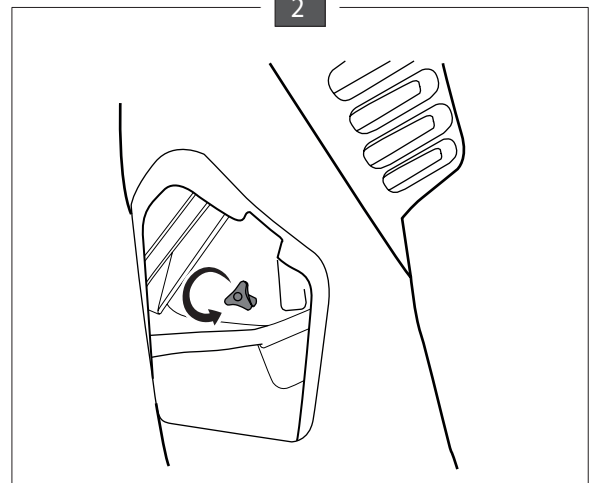
2

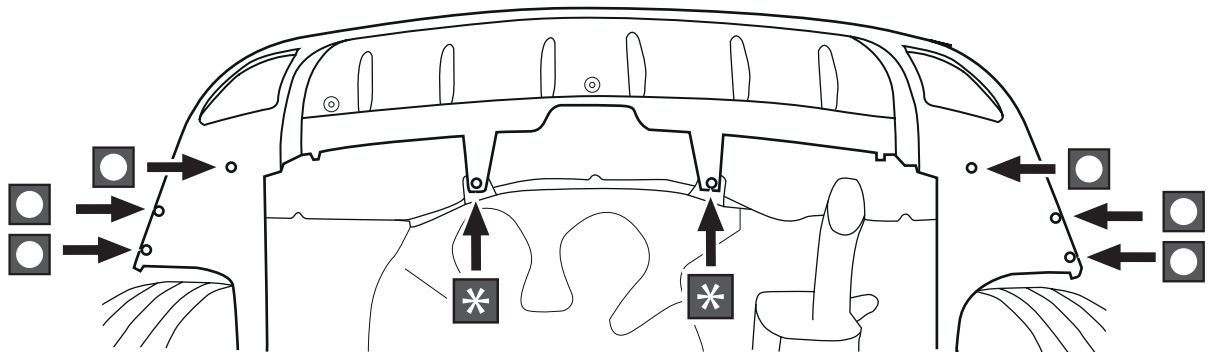
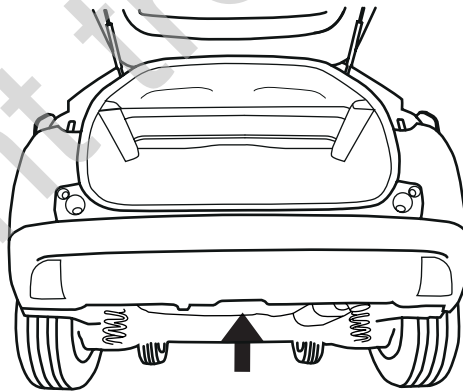
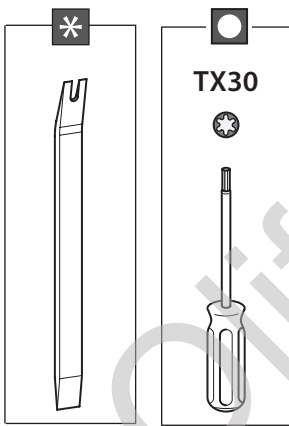
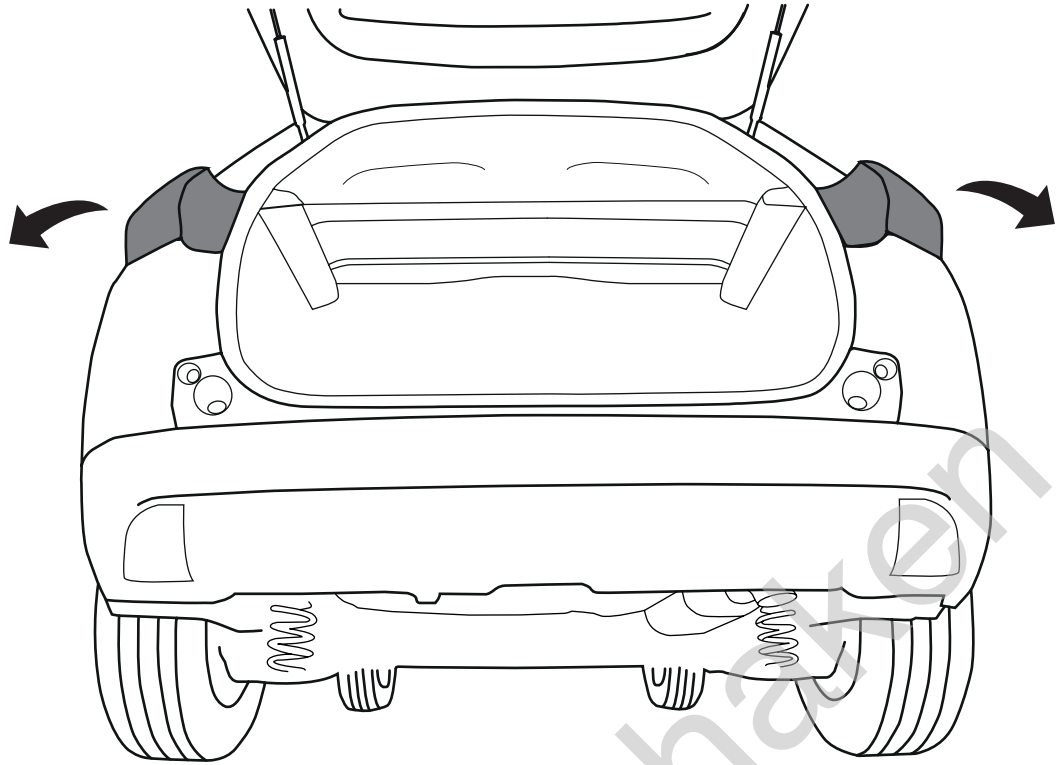


1

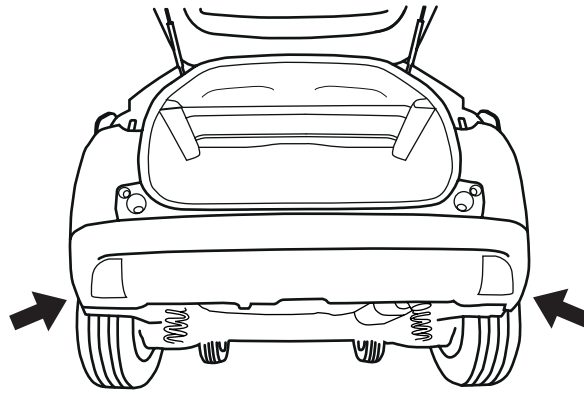


2

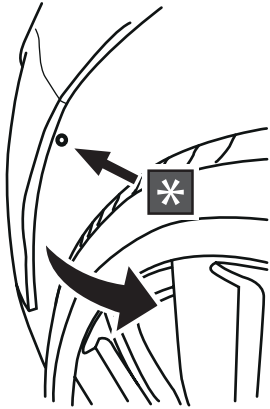




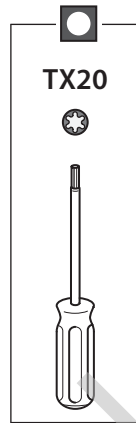
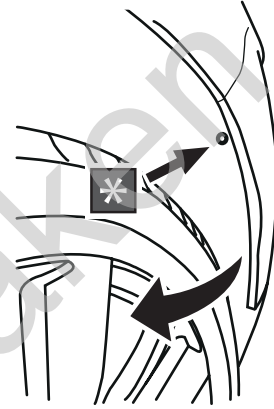
5



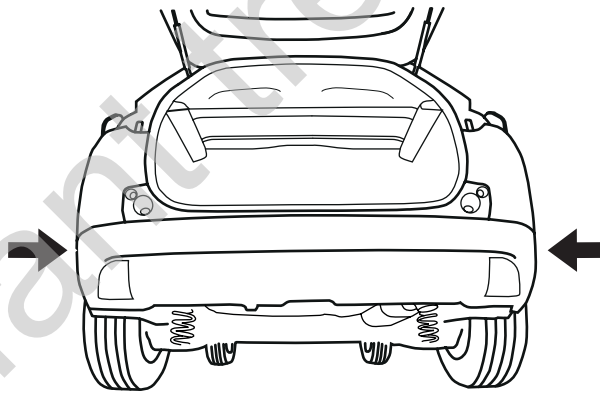
1



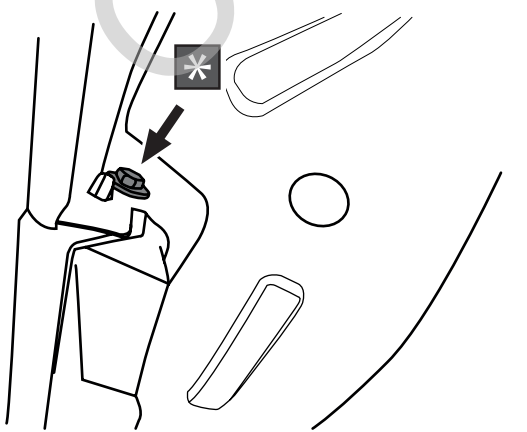
2



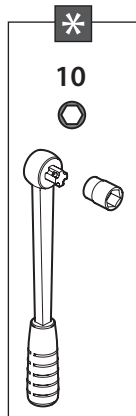
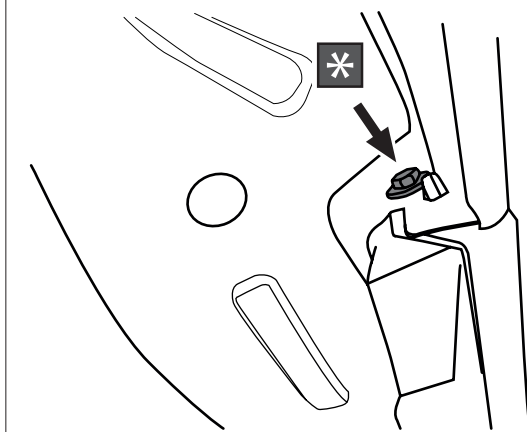
6

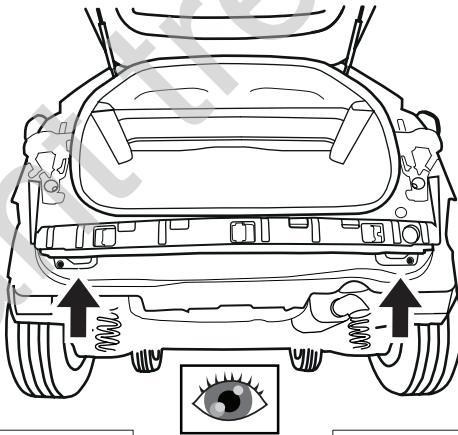
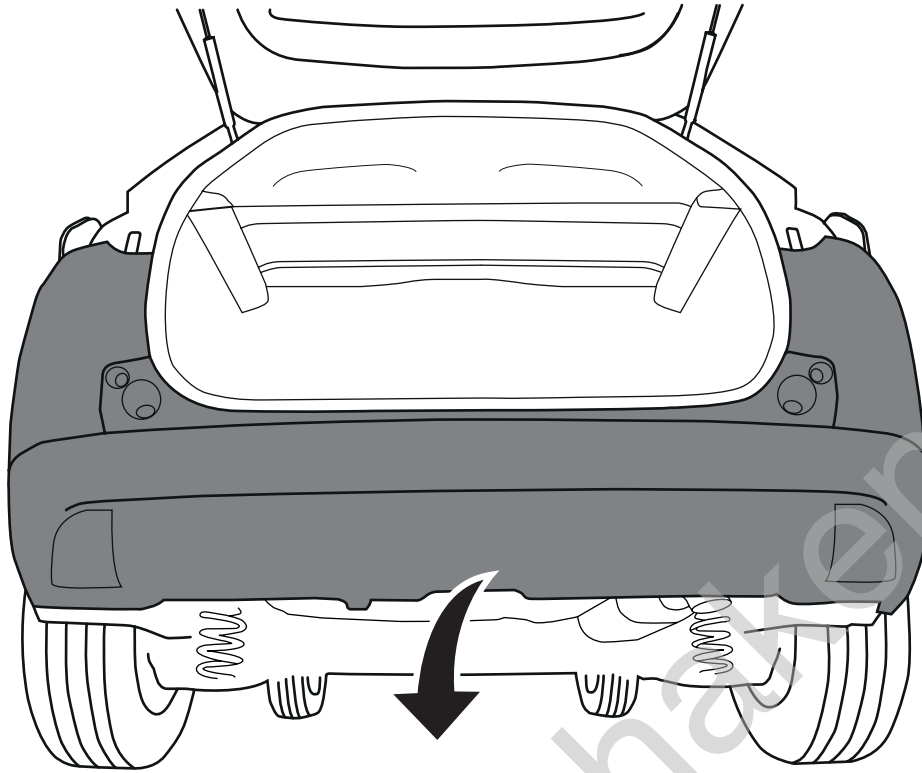


1

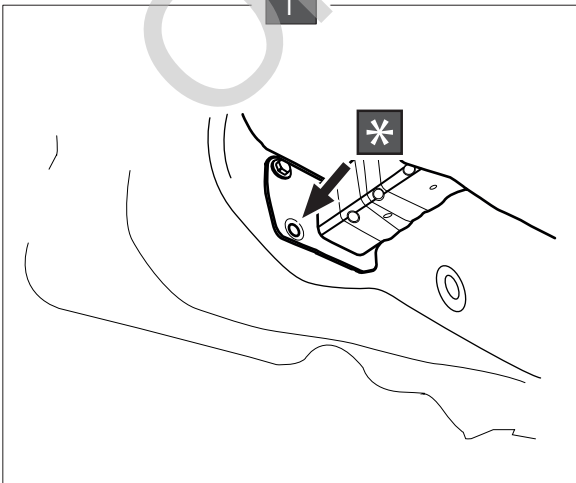


2



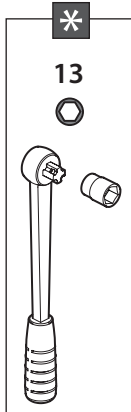


1

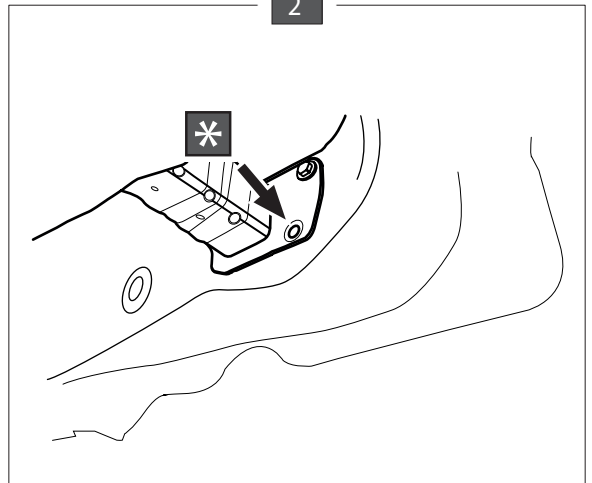


\*

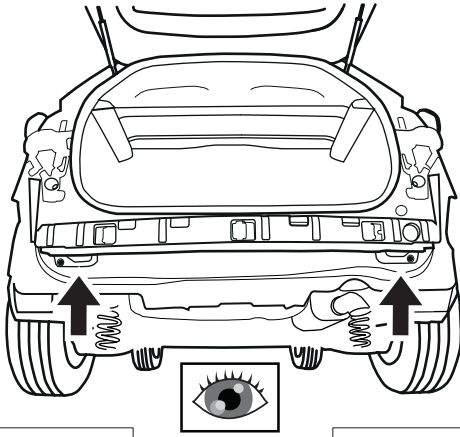
13



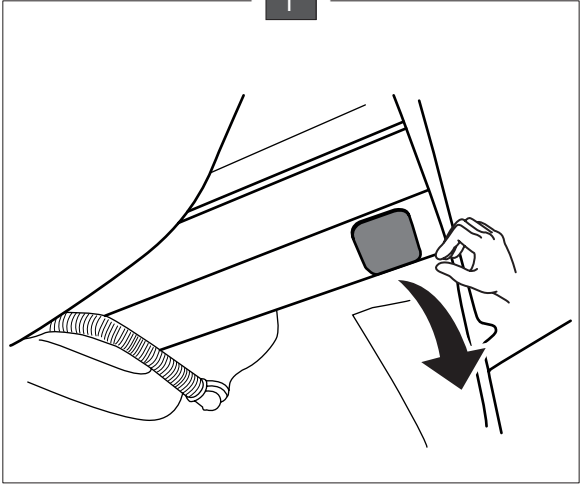
2



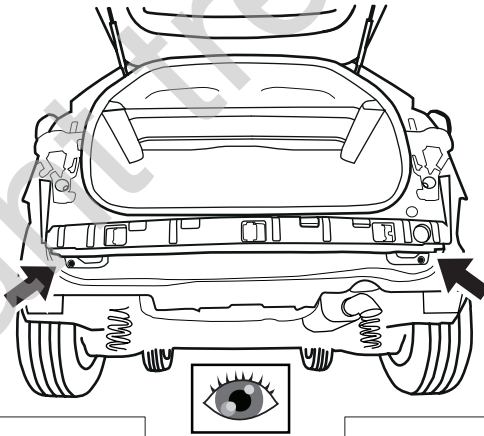
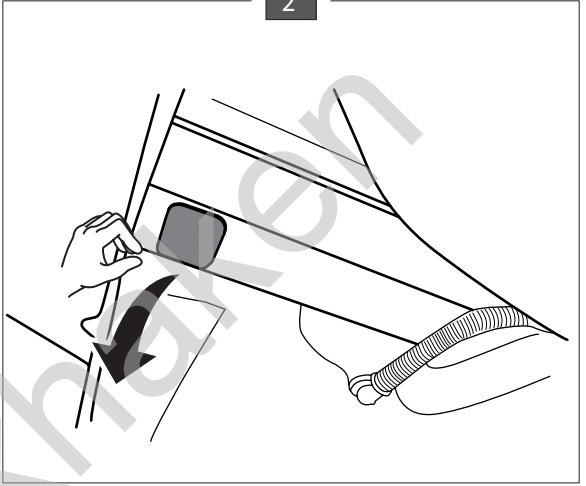




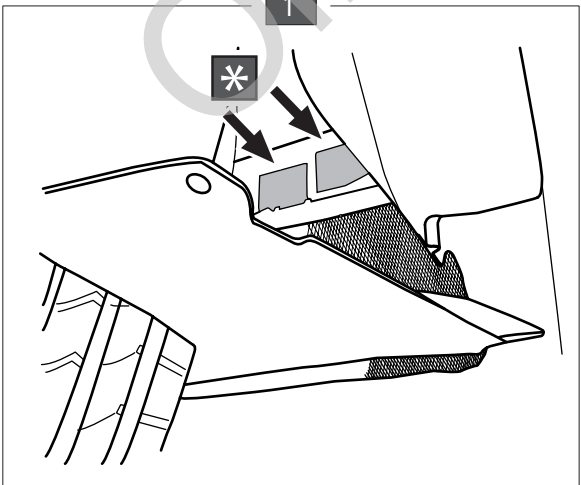
1



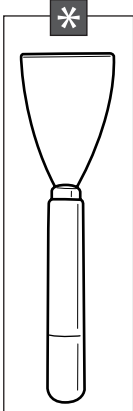
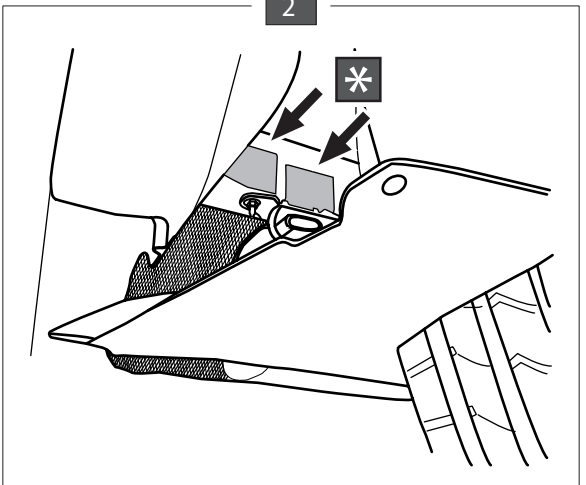
2



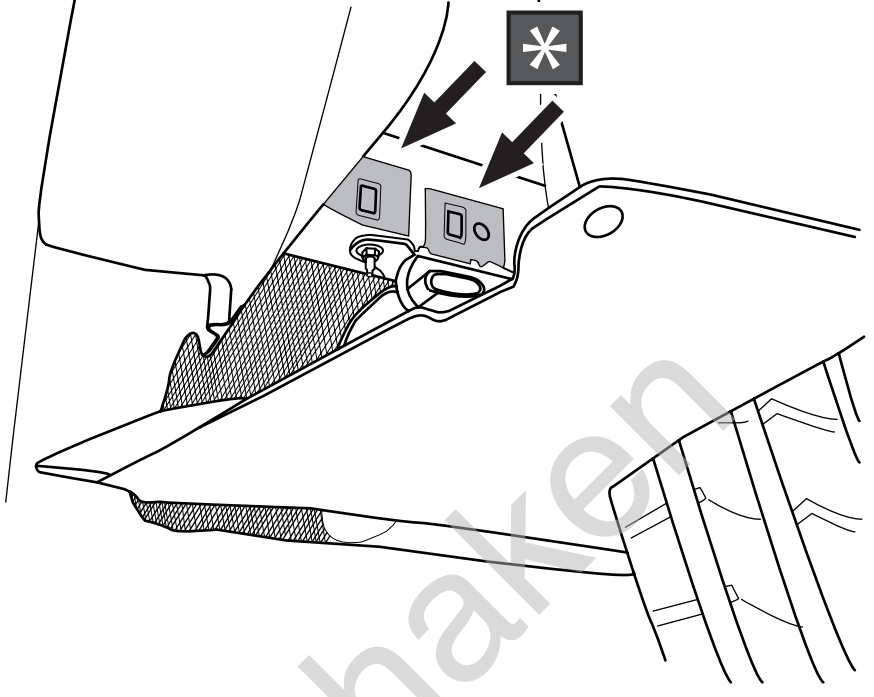
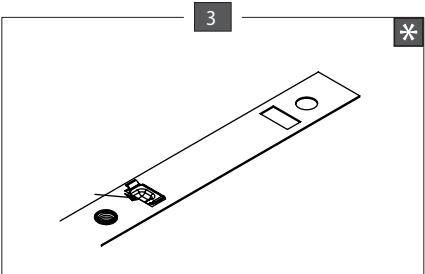
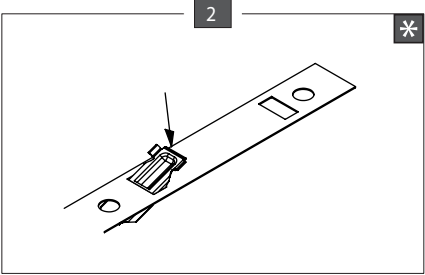
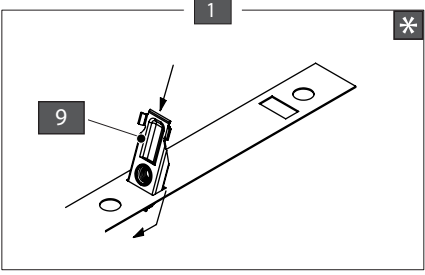
1



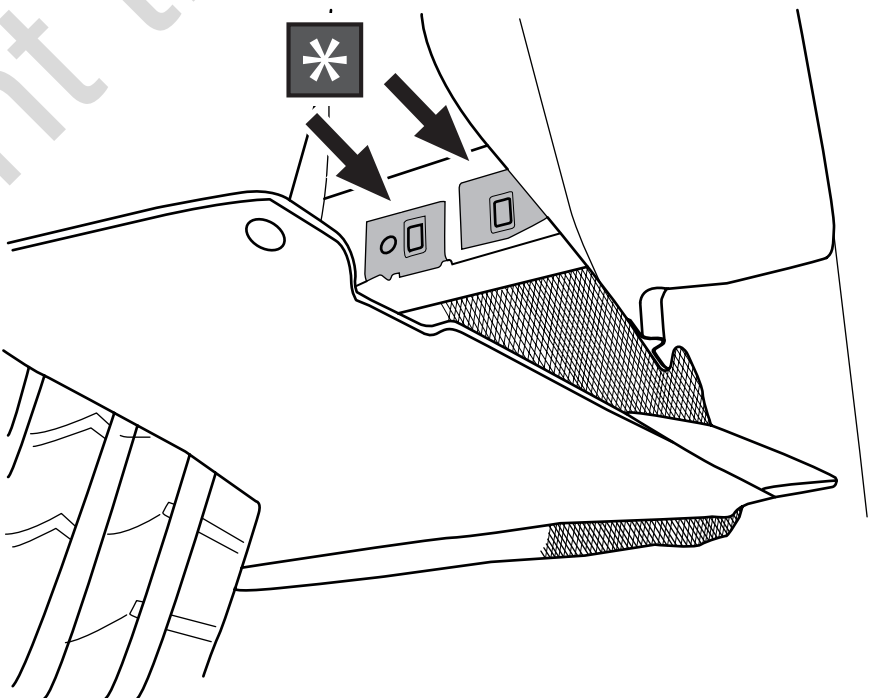
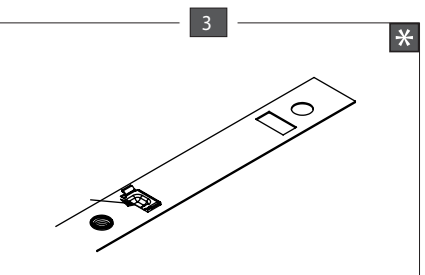
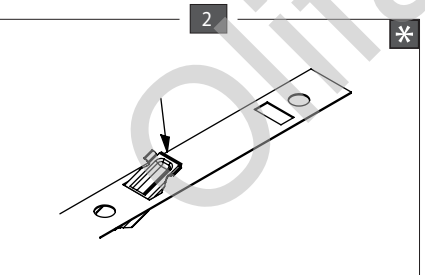
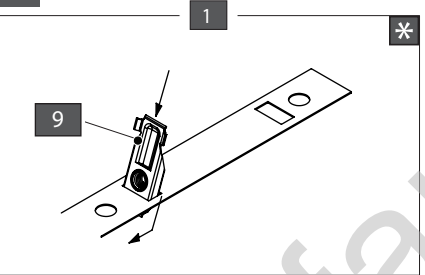
2

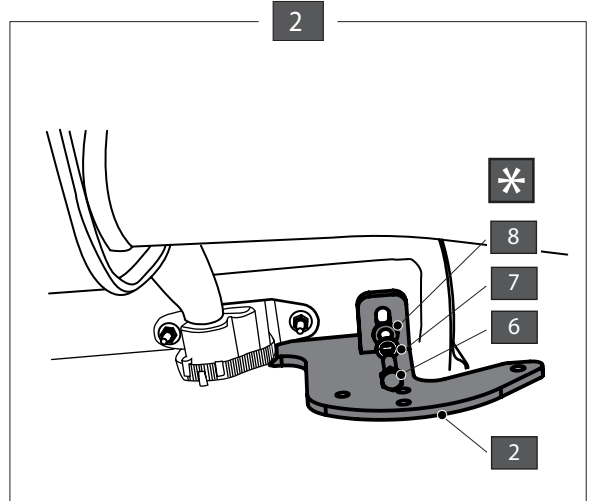
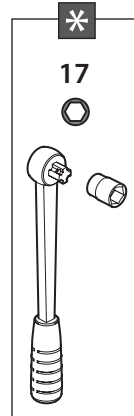
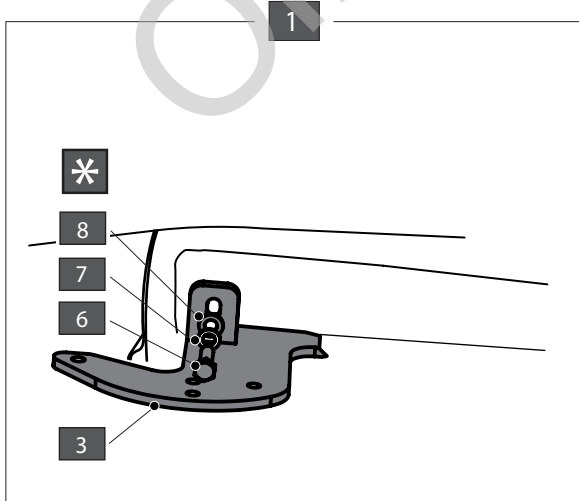
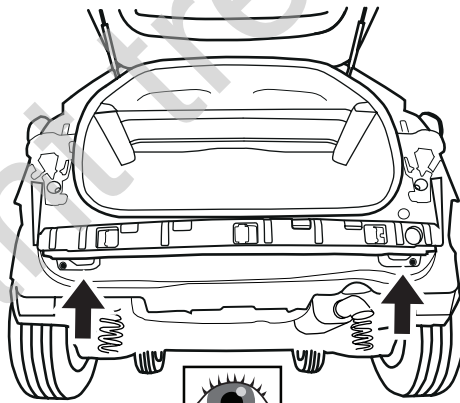
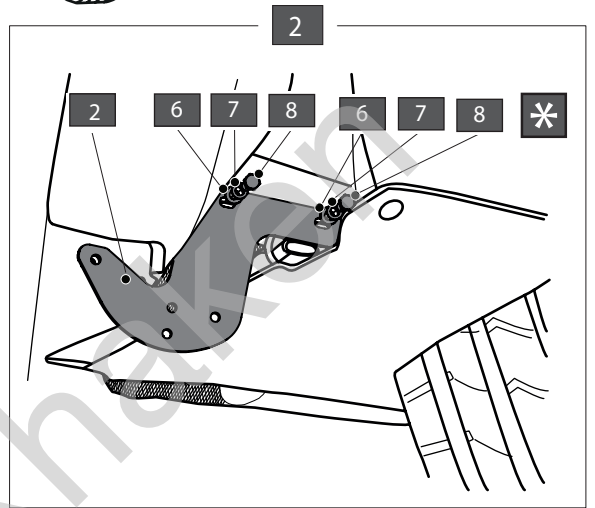
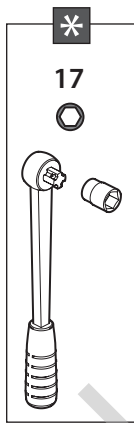
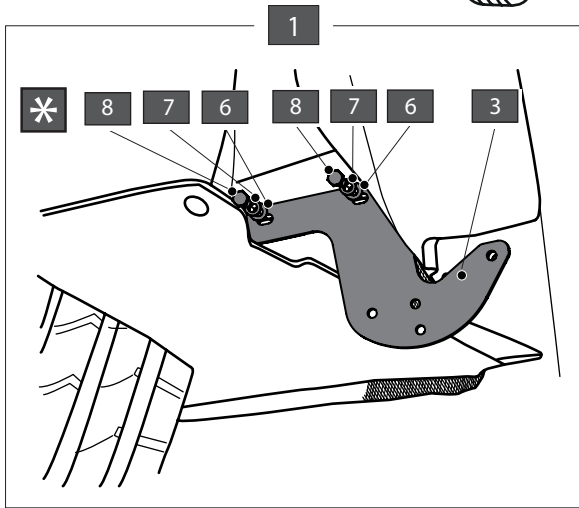
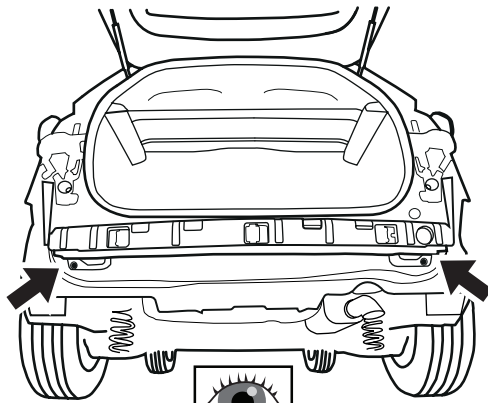


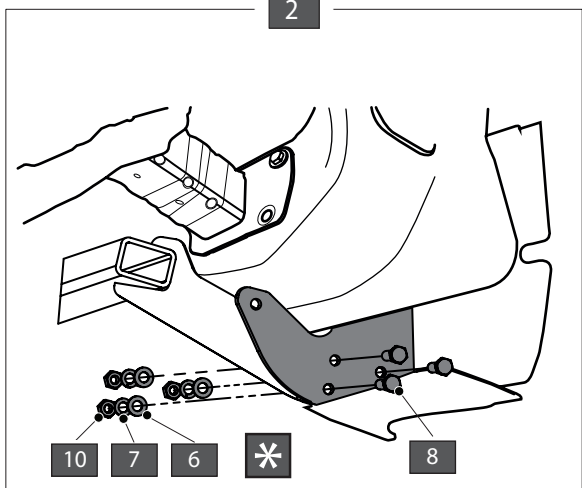
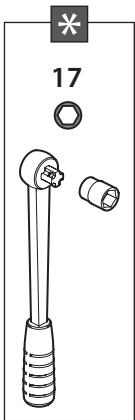
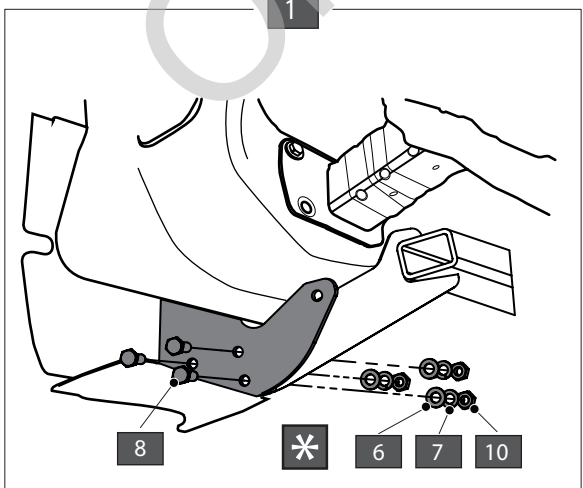
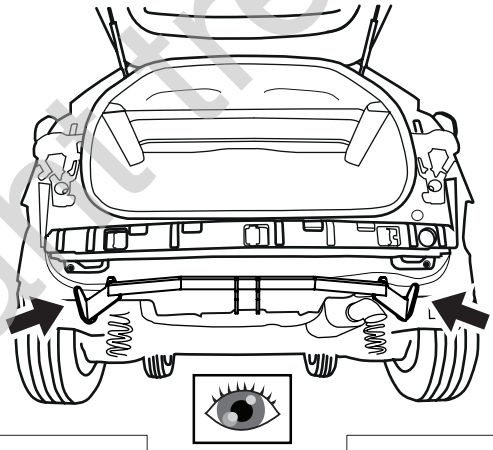
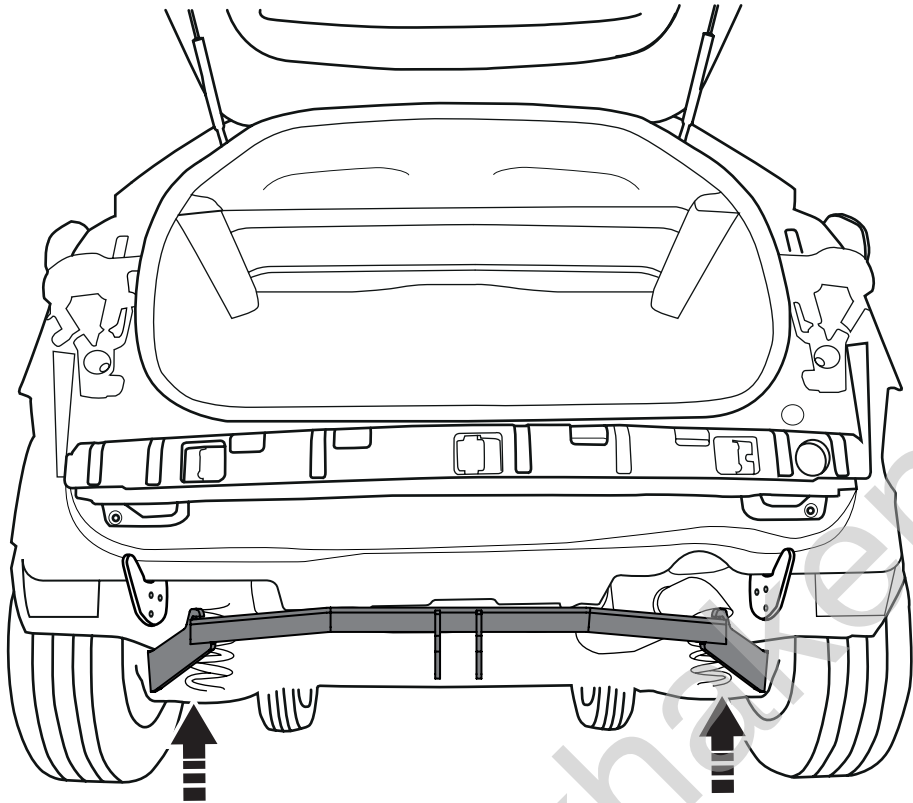
11

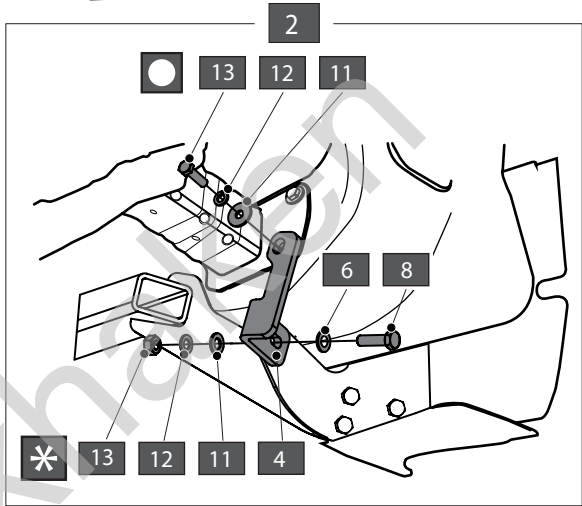
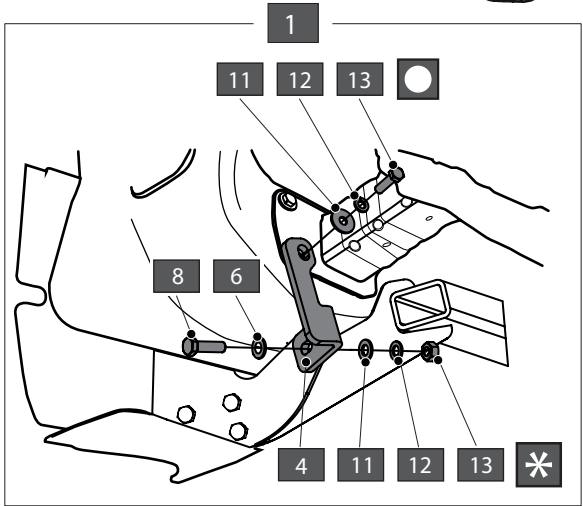
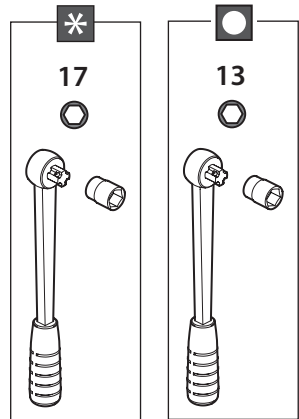
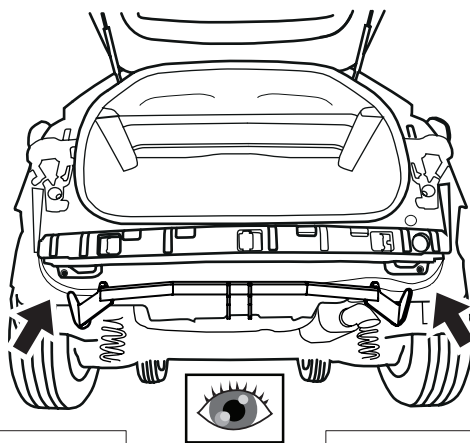


12

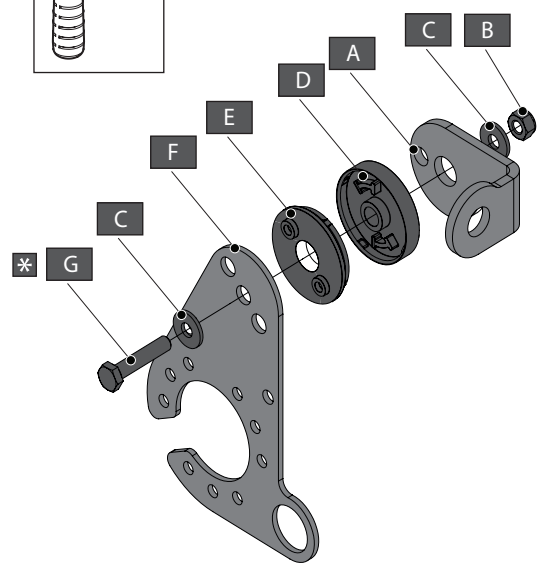
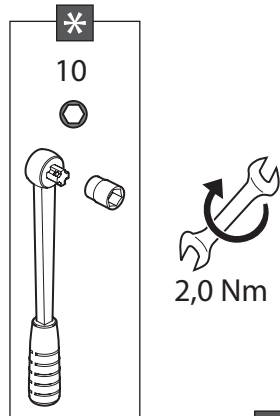




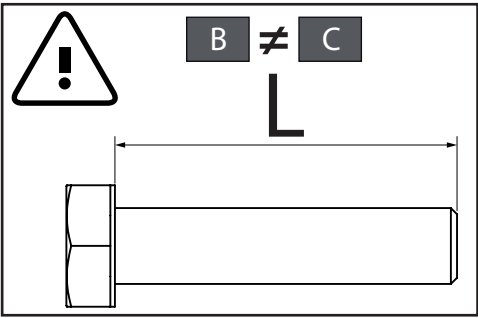
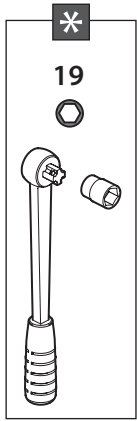




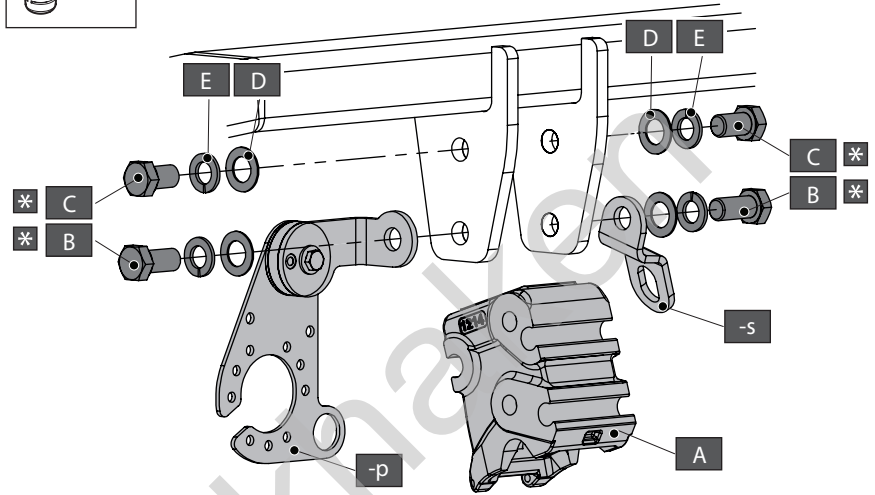
A		X1	908.098
B		X1	DIN985-M6
C		X2	6,2 x 15,4 x 1,6 (NYLON)
D		X1	GDW REF. 718.16.002
E		X1	GDW REF. 718.16.003
F		X1	GDW REF. 908.094
G		X1	DIN933-M6 X 30



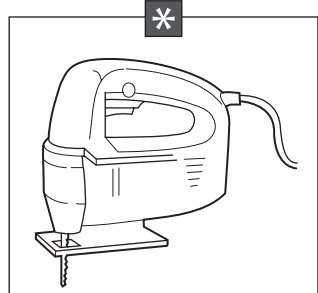
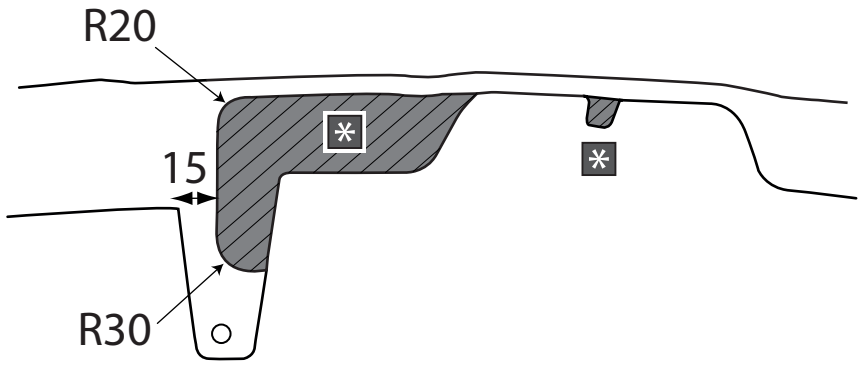
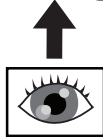
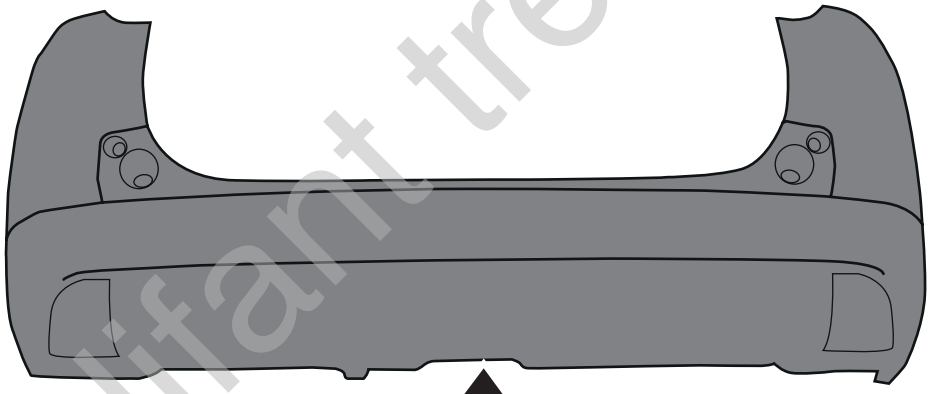
19

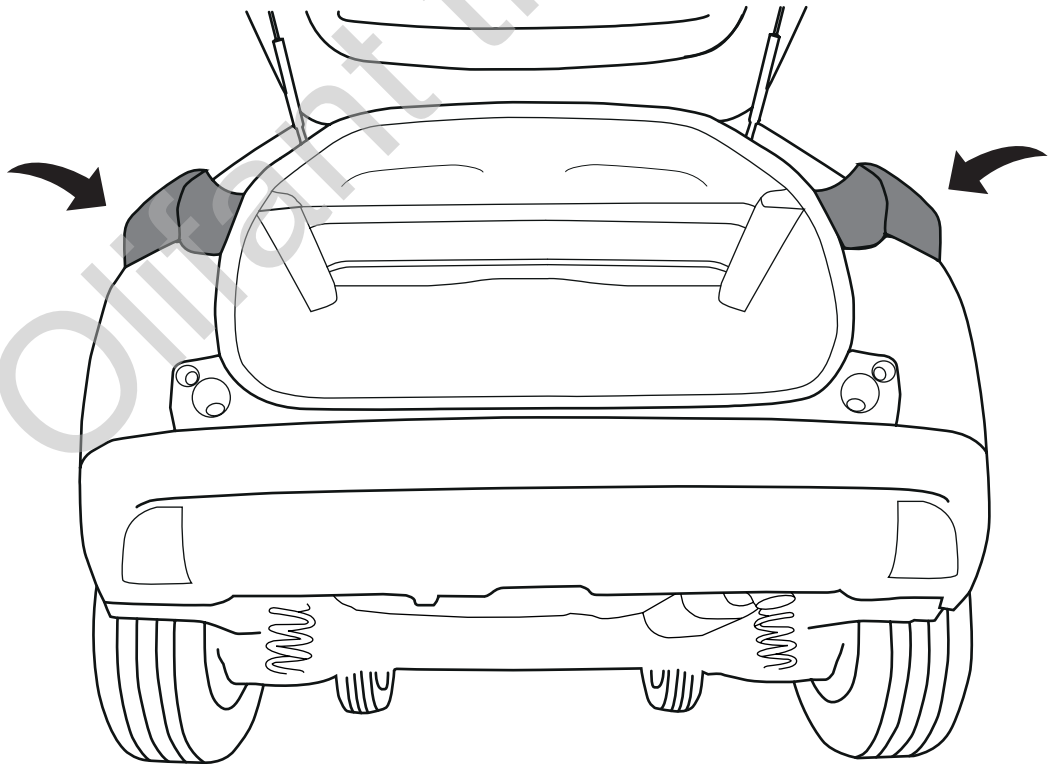
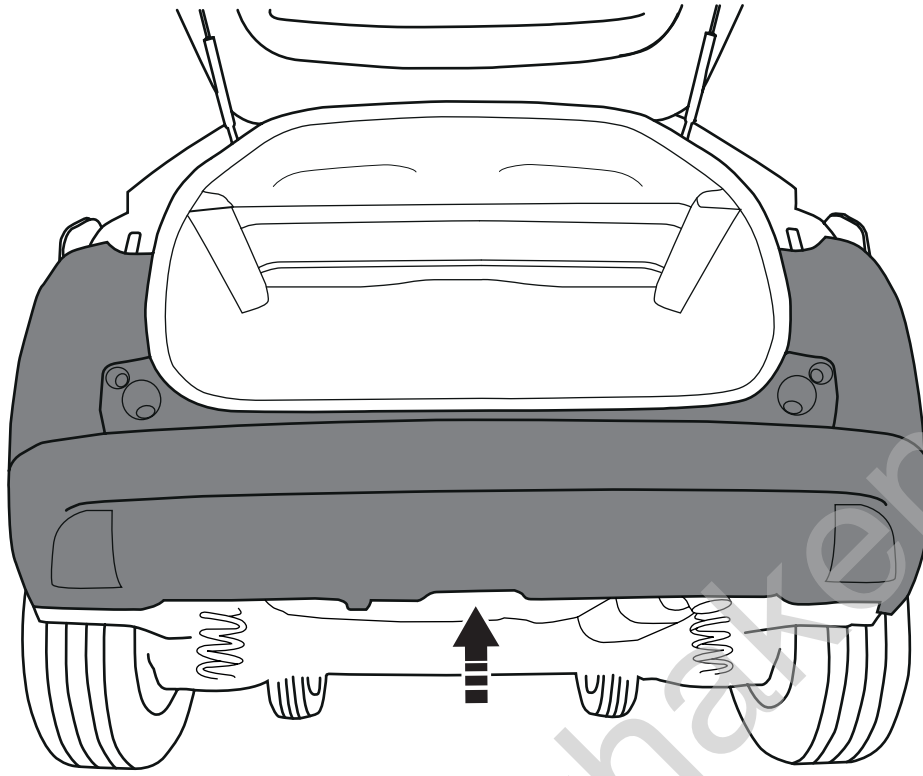


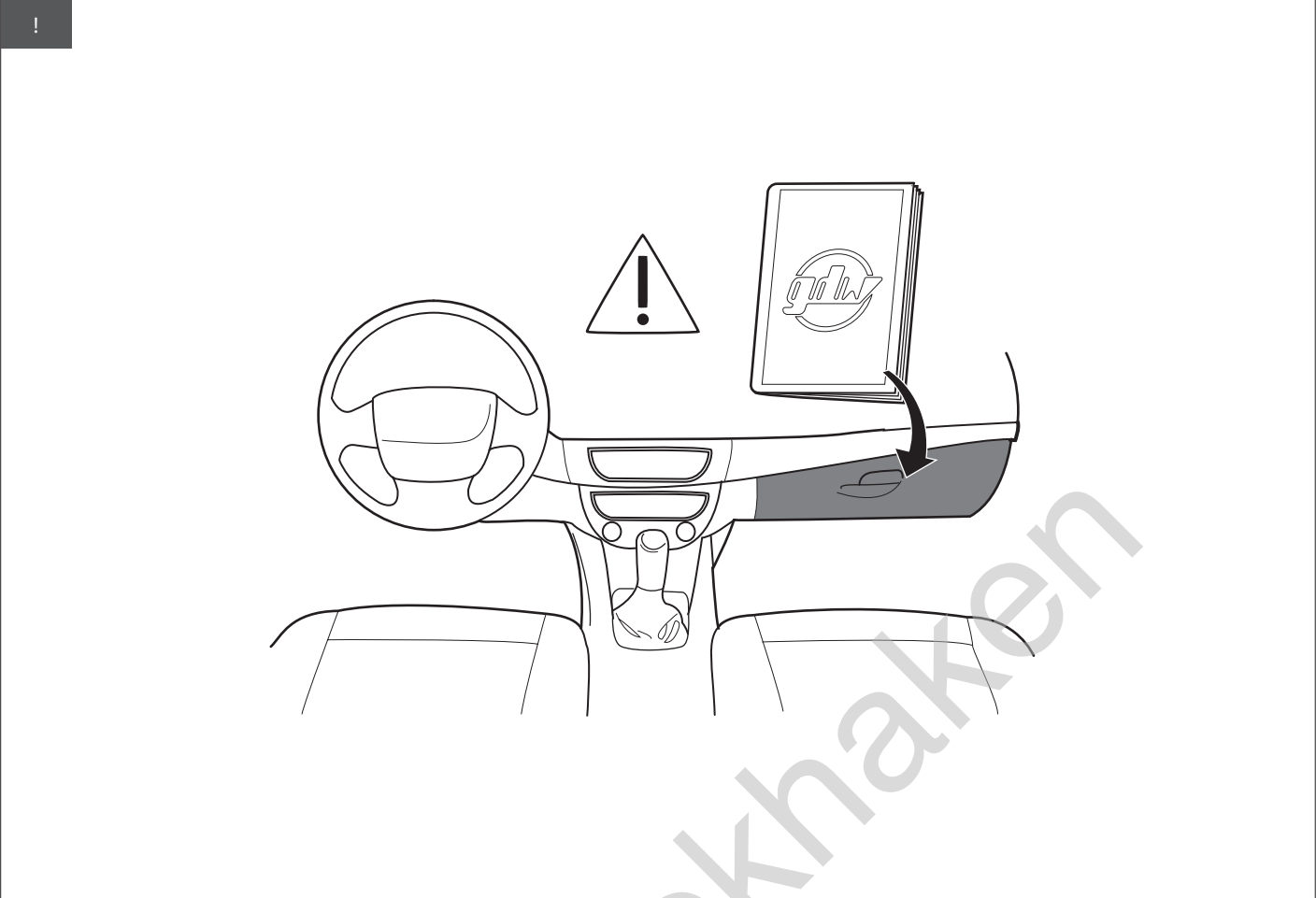
A		X1	912.003
B		X2	DIN933-M12 X 25
C		X2	DIN933-M12 X 20
D		X4	Ø 14 X 24 X 1
E		X4	DIN128A-M12
-S		X1	GDW REF. 900.053



20







Olifant trekhaken