

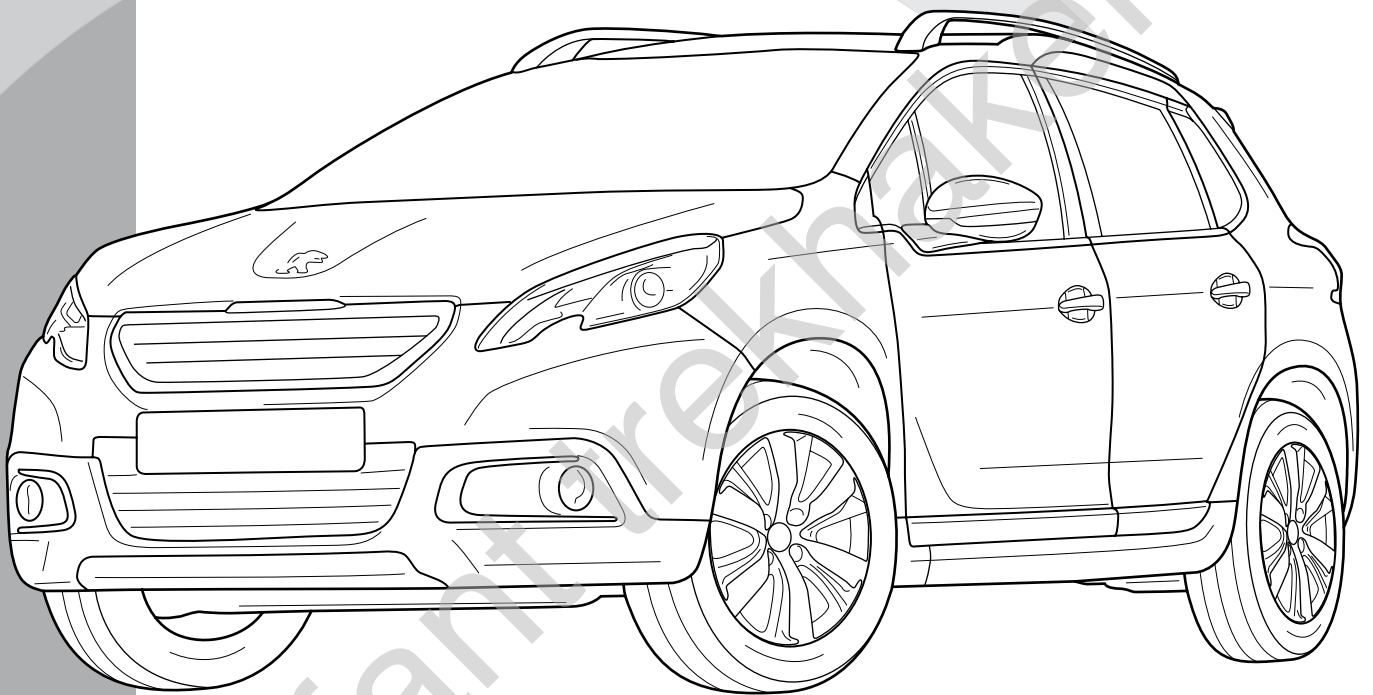


TREKHAKEN • ATTELAGES • ANHÄNGERVORRICHTUNGEN • TOWBARS • ENHANCES • ANHÆNGERTRÆK
Montagehandleiding | instructions de montage | Einbauanleitung | Mounting instruction
Instrucciones de montaje | monteringsvejledning




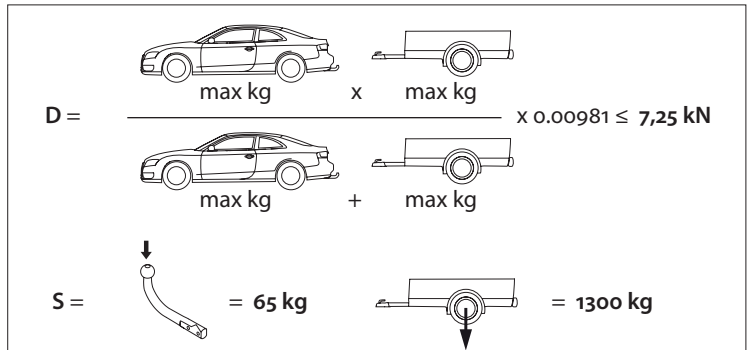
Peugeot 2008

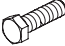
06/'13-

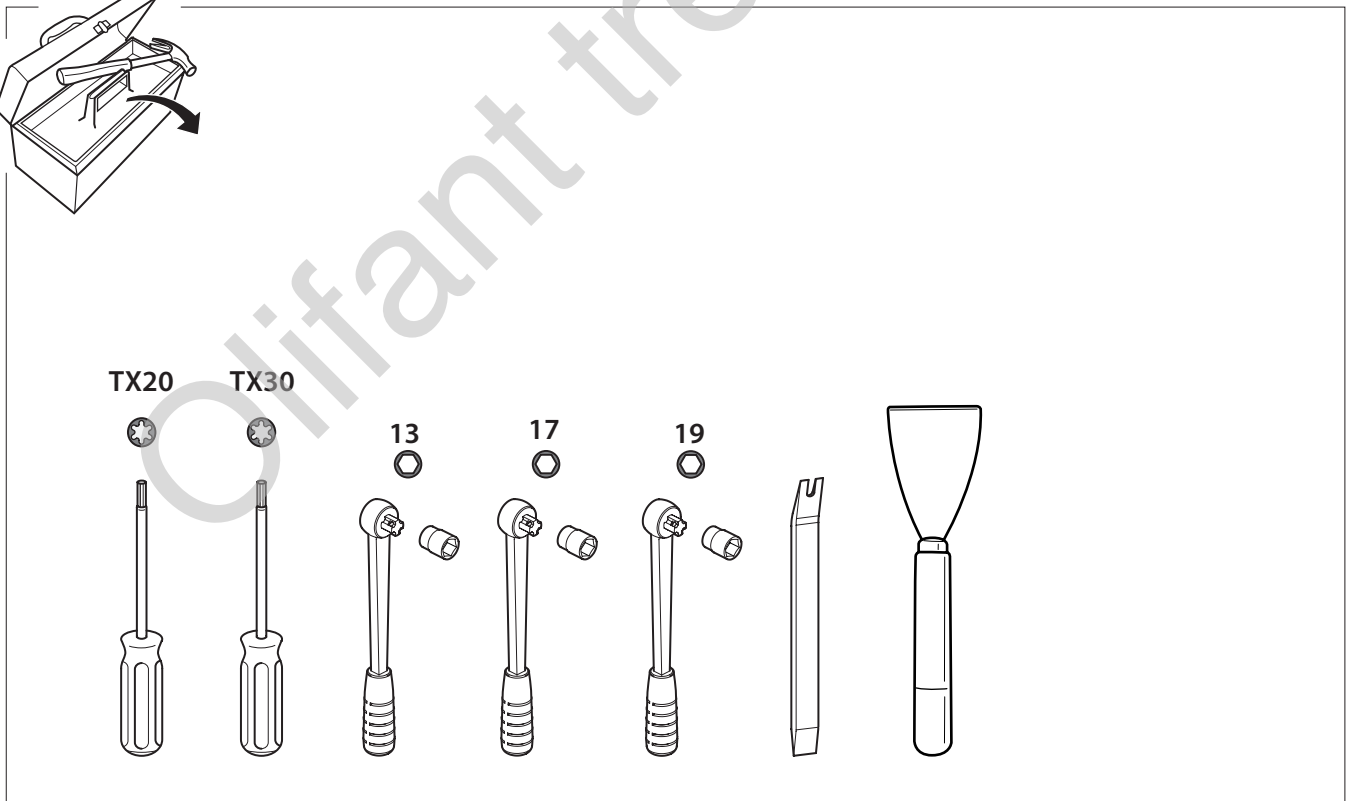
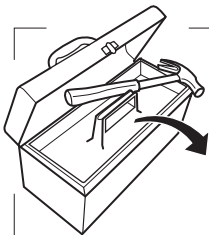


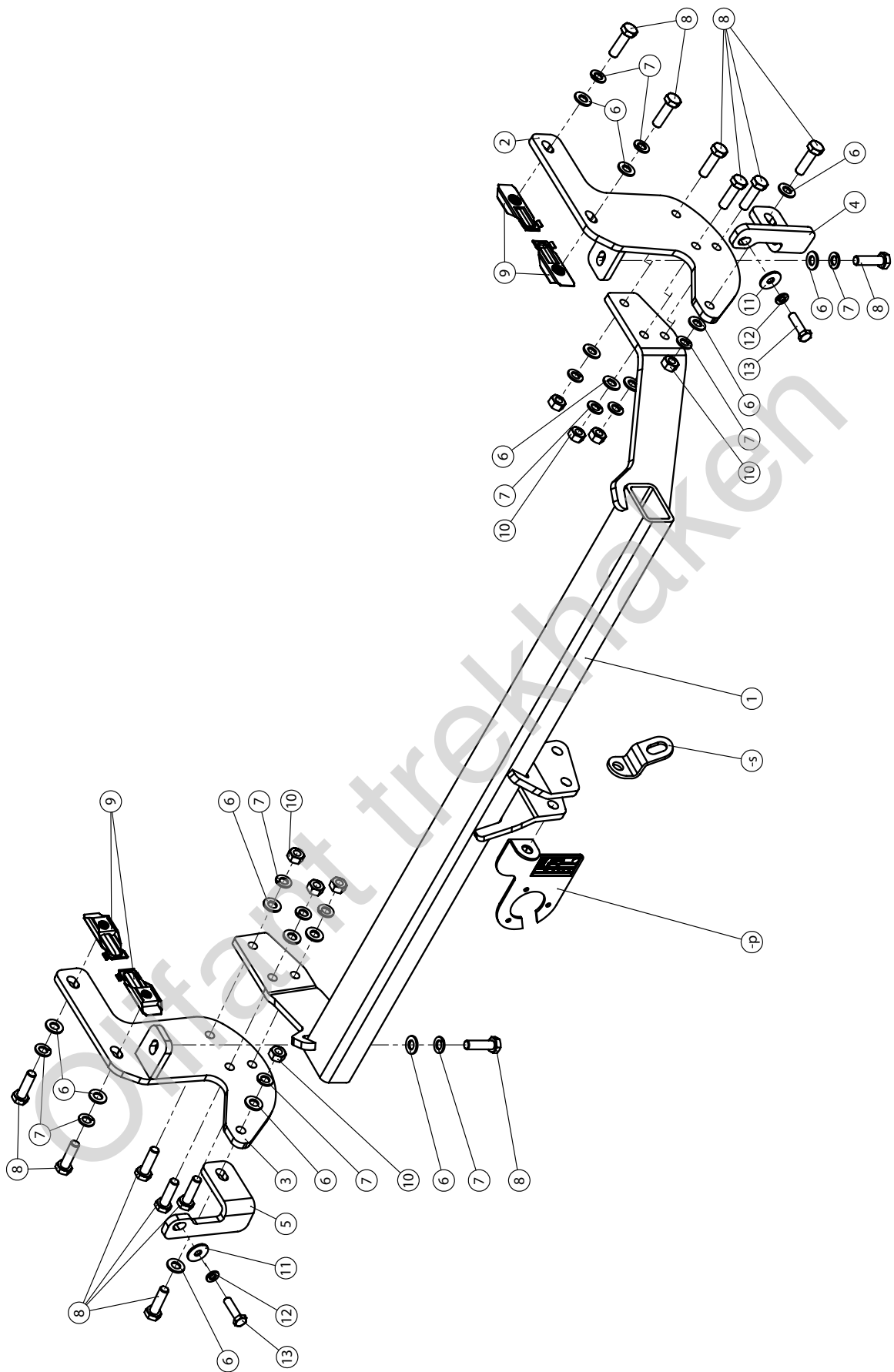
See the Certificate Of Conformity (COC) of your vehicle or contact your dealer to verify the max. trailer weight of your car!

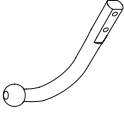
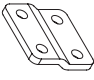





MADE BY	D 7,25	F	E6
		EC APPROVAL N°	
BELGIUM	S 65	55R-011059	
REF N°	SERIE N°		
1986			
OMSCHRIJVING			
Peugeot 2008 06-'13-			

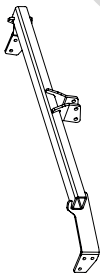
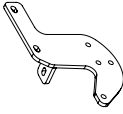
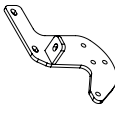
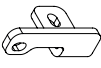











	M 6	M 8	M 10	M 12	M 14	M 16
8.8	10,4 Nm	25,0 Nm	51,0 Nm	87,0 Nm	140,0 Nm	215,0 Nm
10.9	15,5 Nm	37,0 Nm	75,0 Nm	130,0 Nm	205,0 Nm	310, Nm
12.9	18,0 Nm	43,0 Nm	87,0 Nm	150,0 Nm	240,0 Nm	370,0 Nm

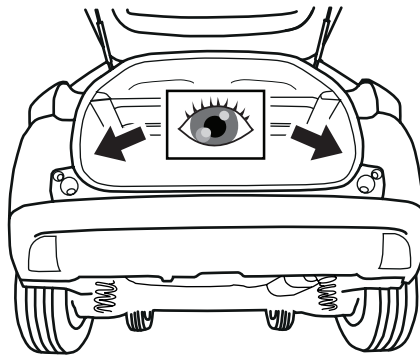




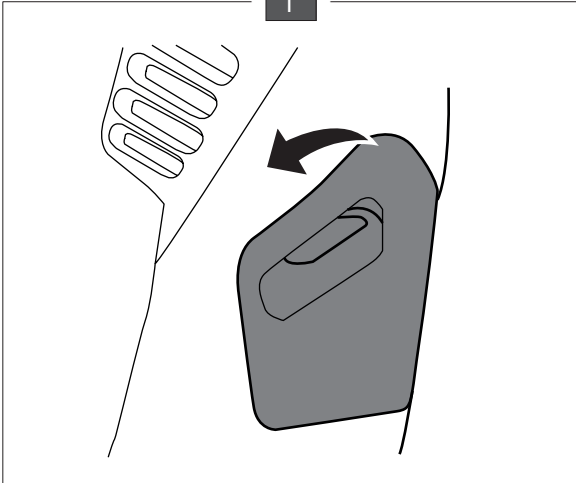
Geleverd met - Livré avec - Delivered with Geliefert mit - Elementos adjuntos-Leveres med	
	X1 T45L030
	X2 GDWREF. 800008
	X2 GDW REF. 800011 Ø 21.3 X 11.7
	X4 DIN931-M12 X 70
	X4 DIN985-M12
	X1 GDW REF. 800053
	X1 GDW REF. PO4

1		X1	GDW REF. 1986
2		X1	GDW REF. 2
3		X1	GDW REF. 3
4		X1	GDW REF. 4
5		X1	GDW REF. 5
6		X16	DIN125A-M10-ELVZ
7		X14	DIN128A-M10
8		X14	DIN933-M10X35
9		4X	M10-CL4870-1-150
10		X8	DIN934-M10
11		X2	DIN9021 Ø 8,4 X 25 X 2
12		X2	DIN128A-M8
13		X2	DIN933-M8X30

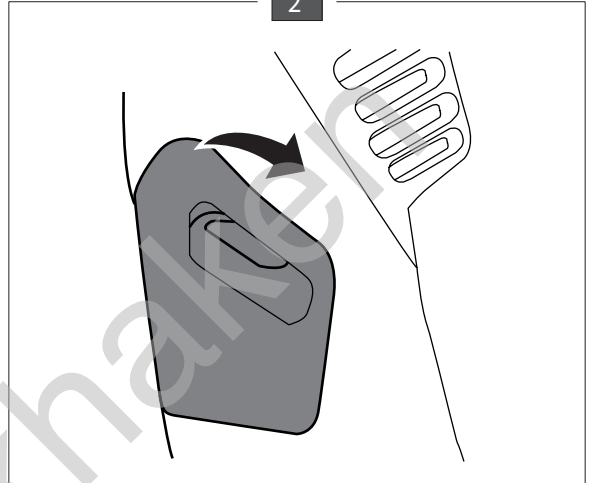
1



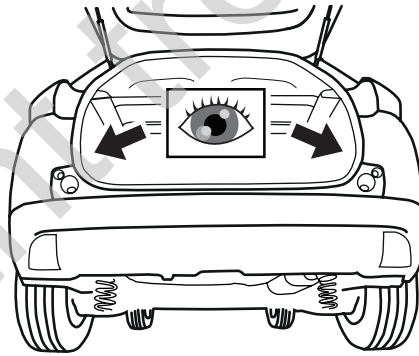
1



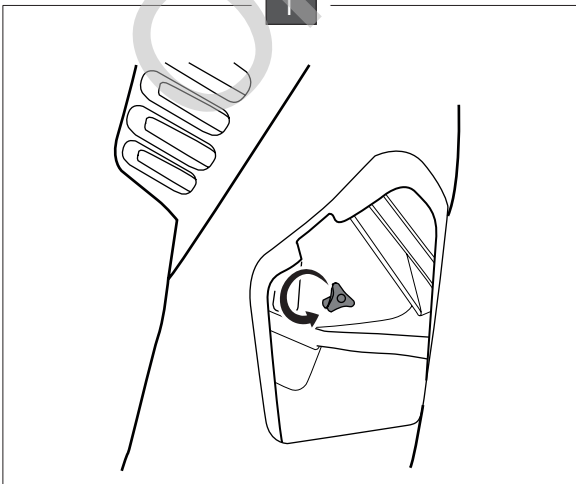
2



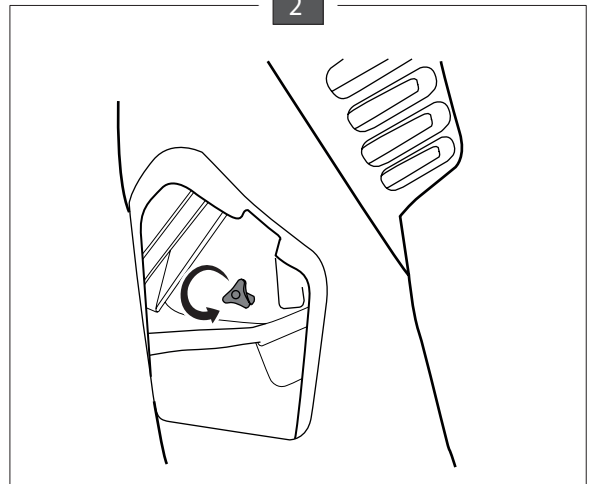
2

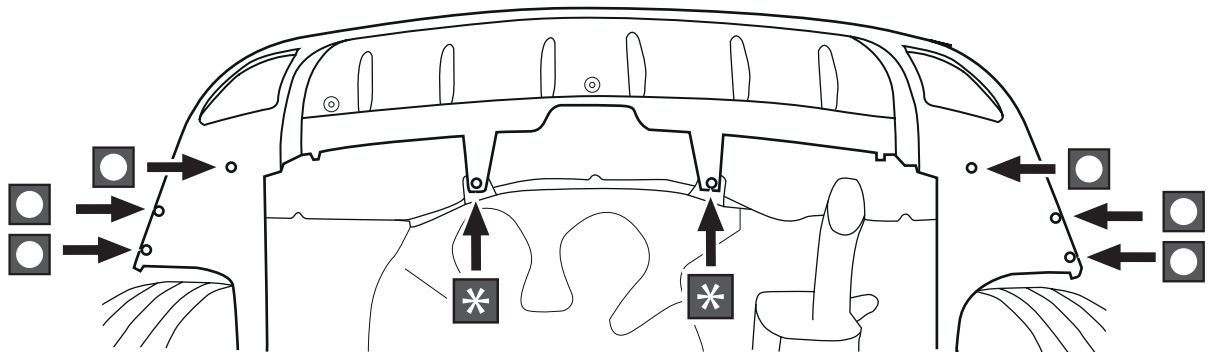
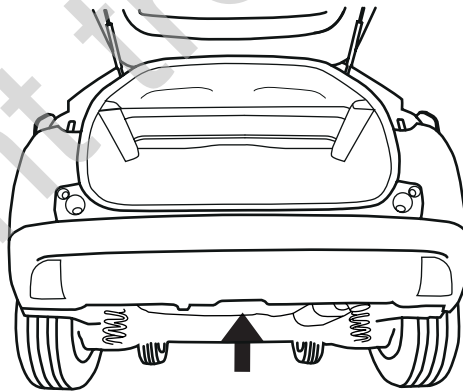
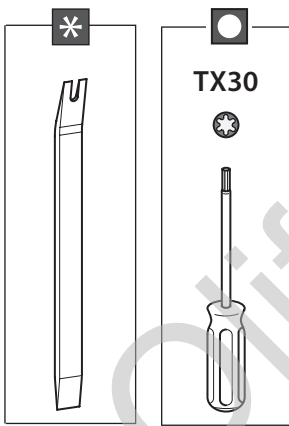
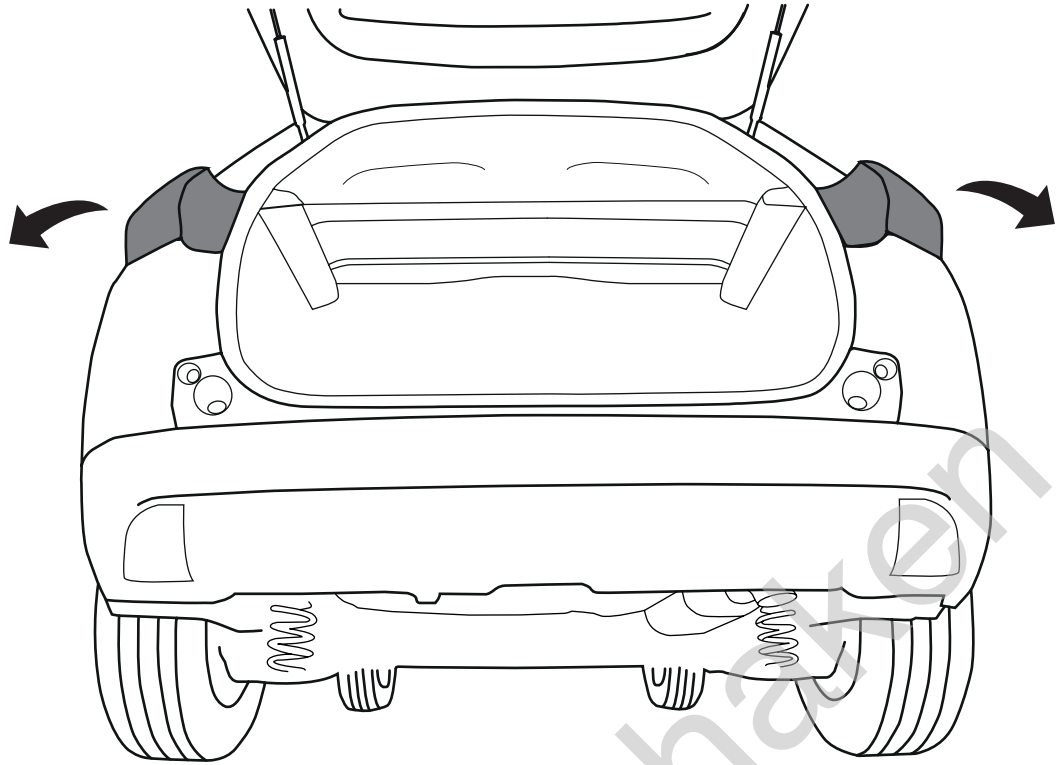


1

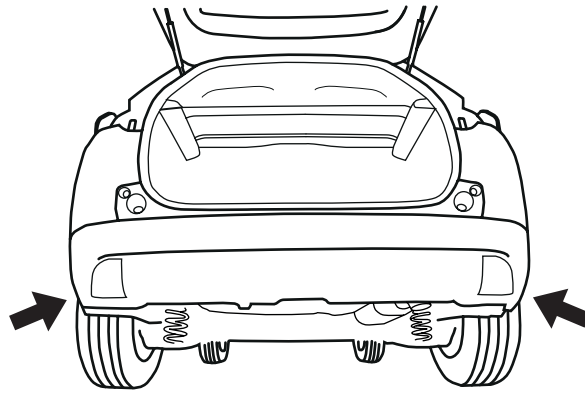


2

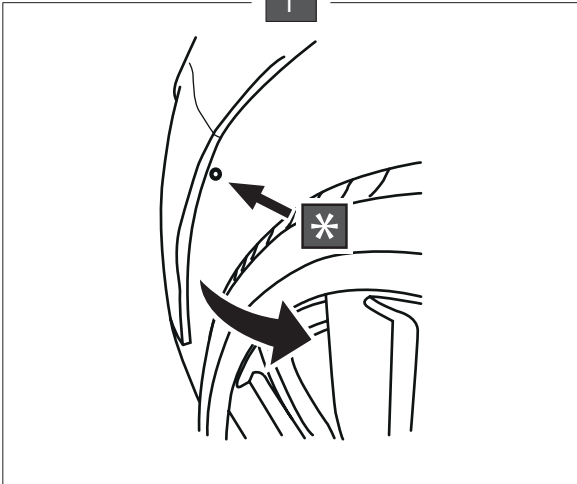




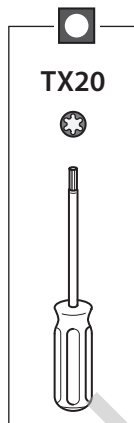
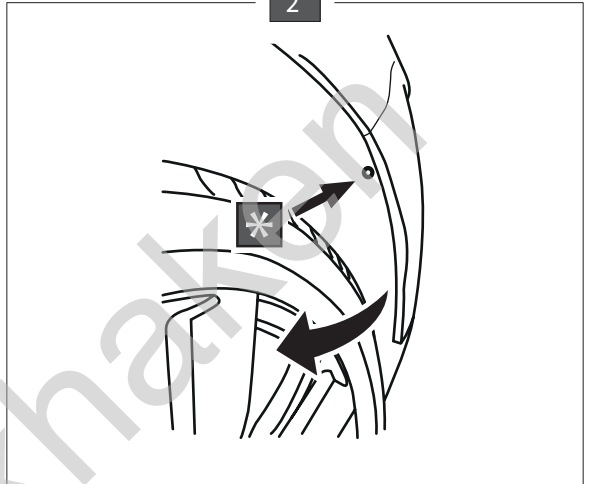
5



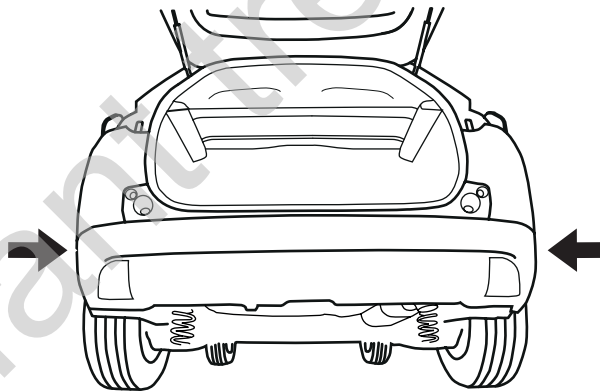
1



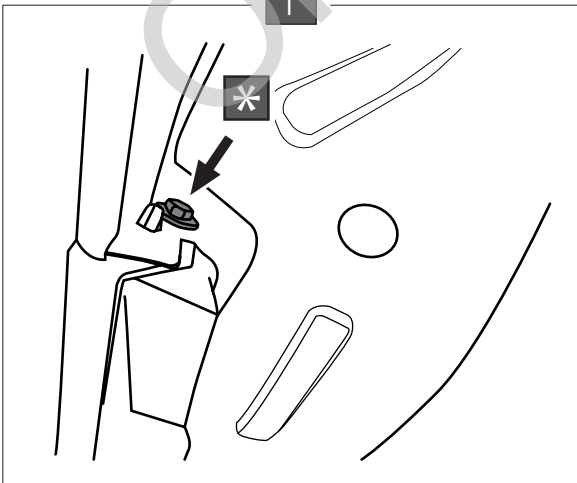
2



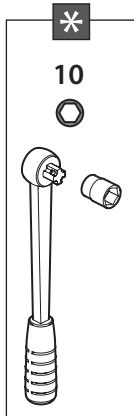
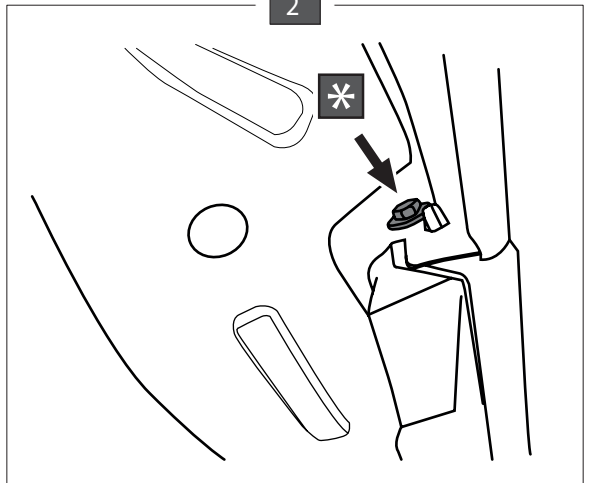
6

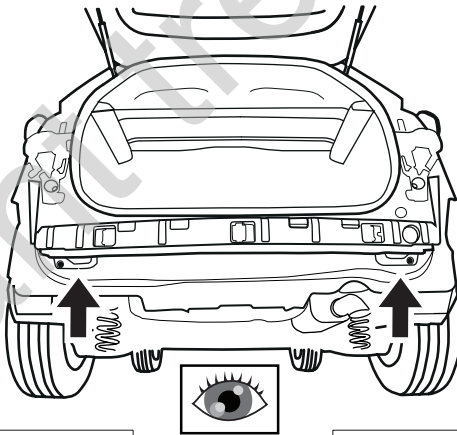
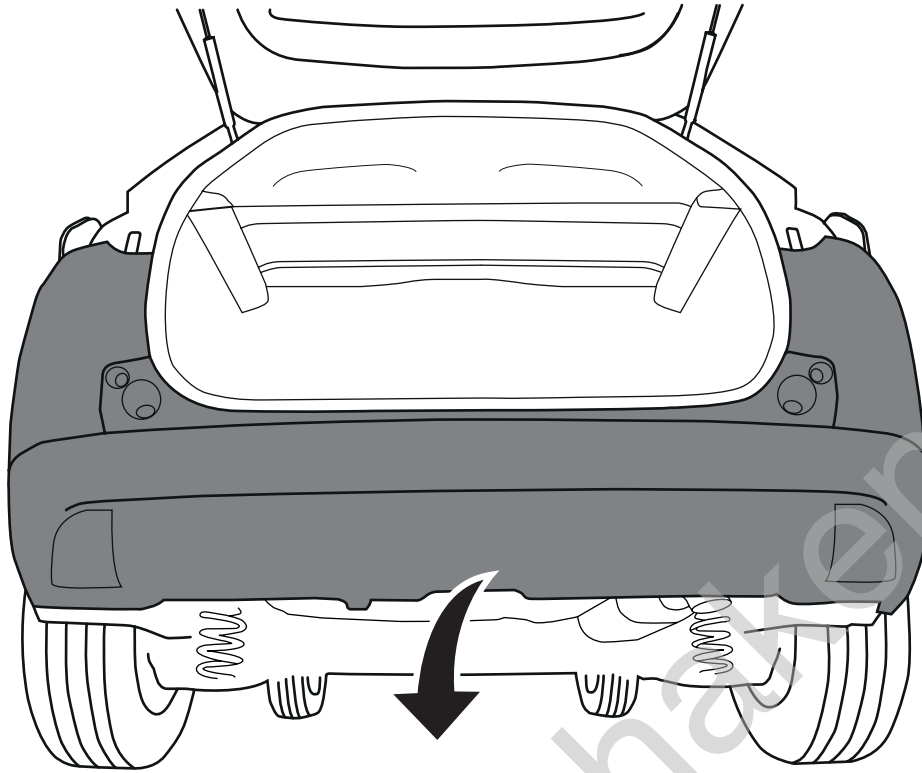


1

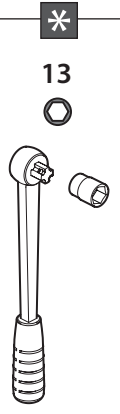
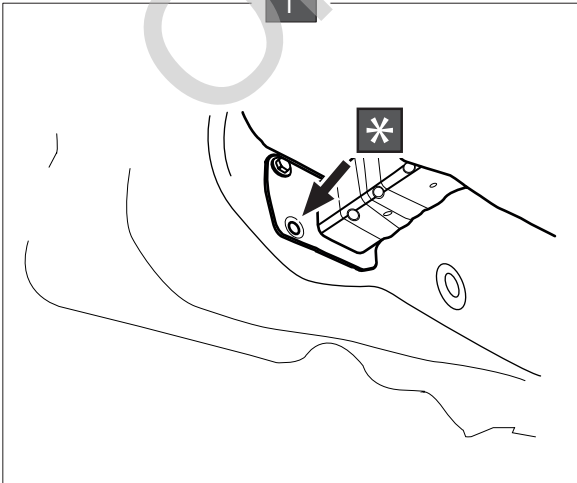


2

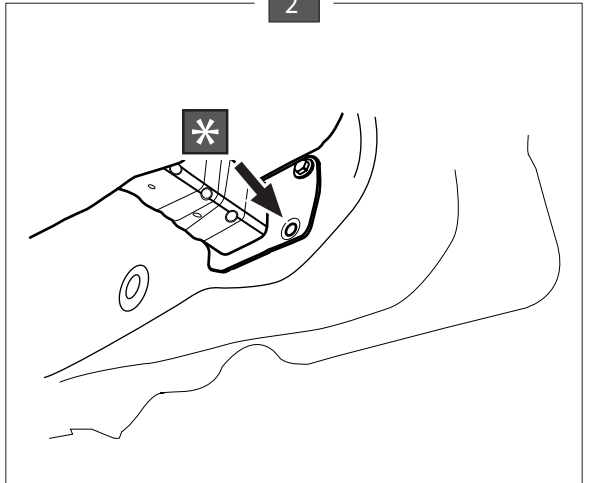


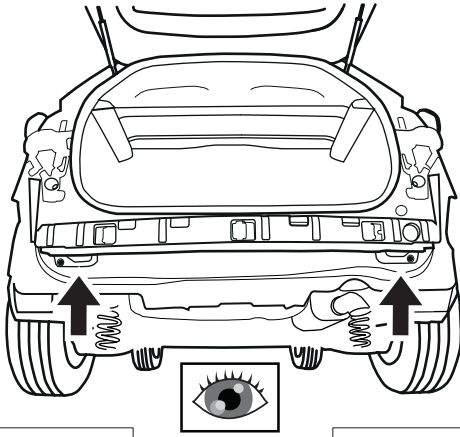


1

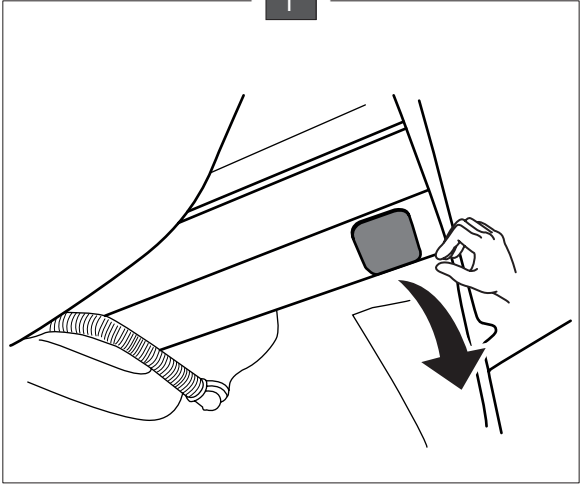


2

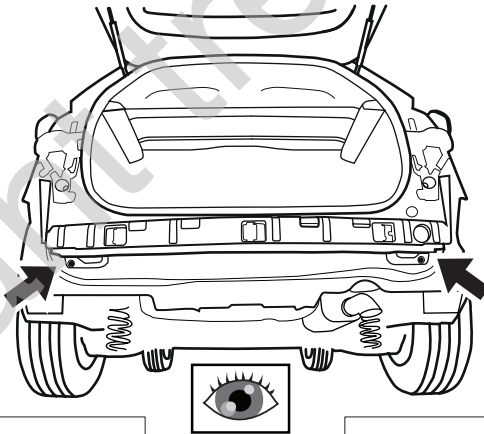
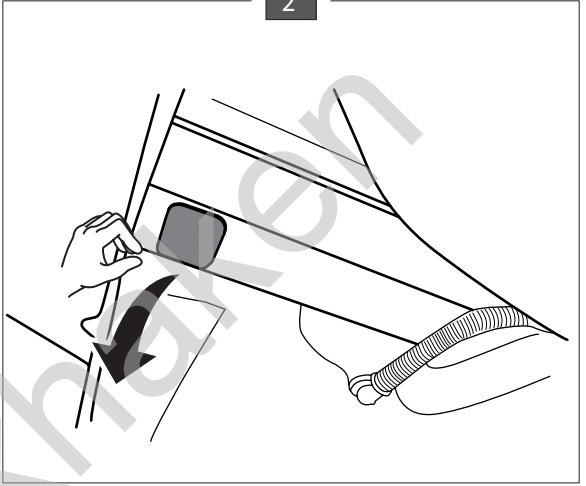




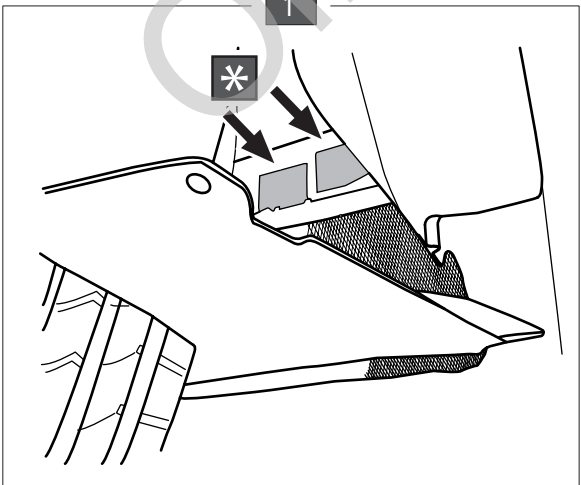
1



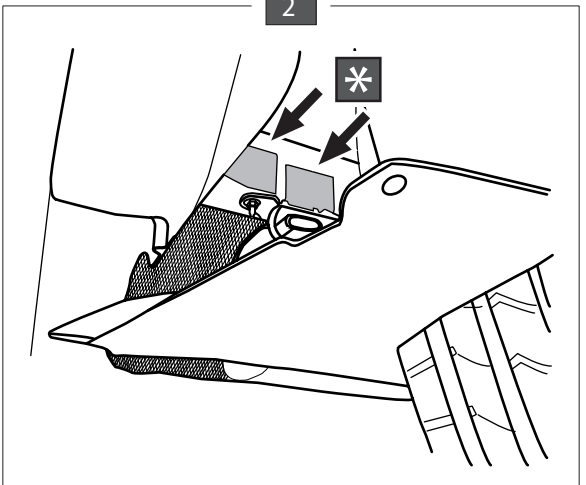
2



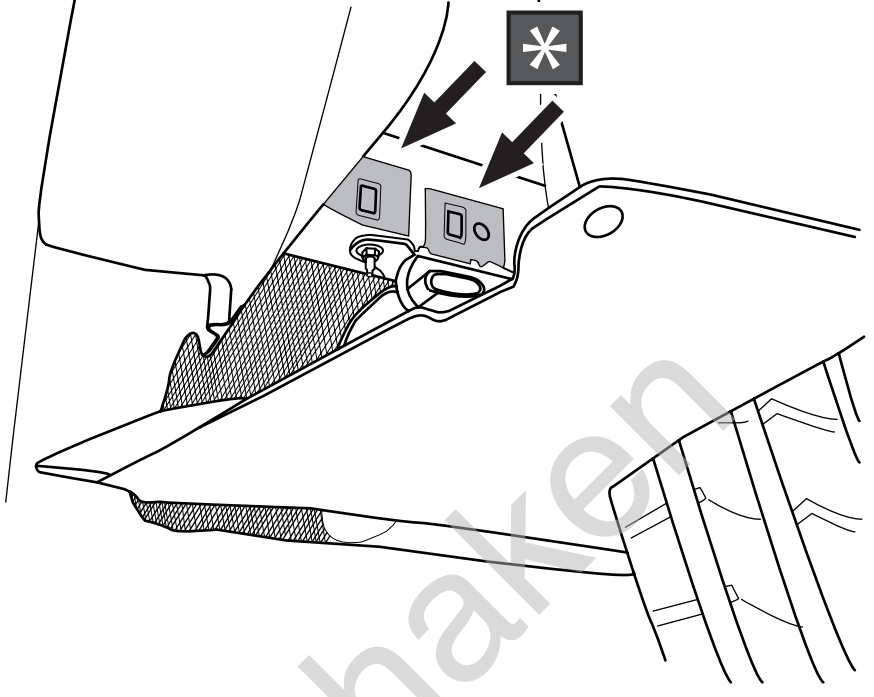
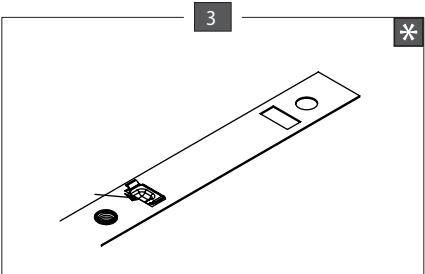
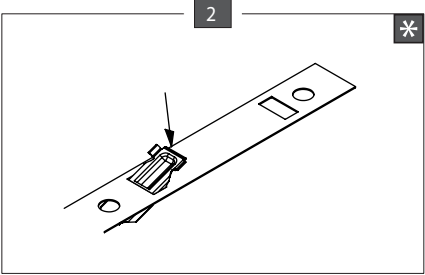
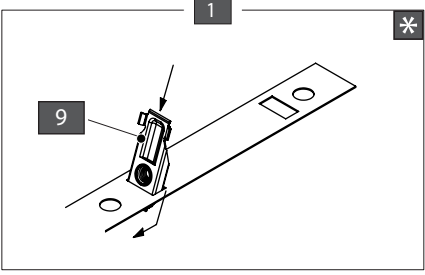
1



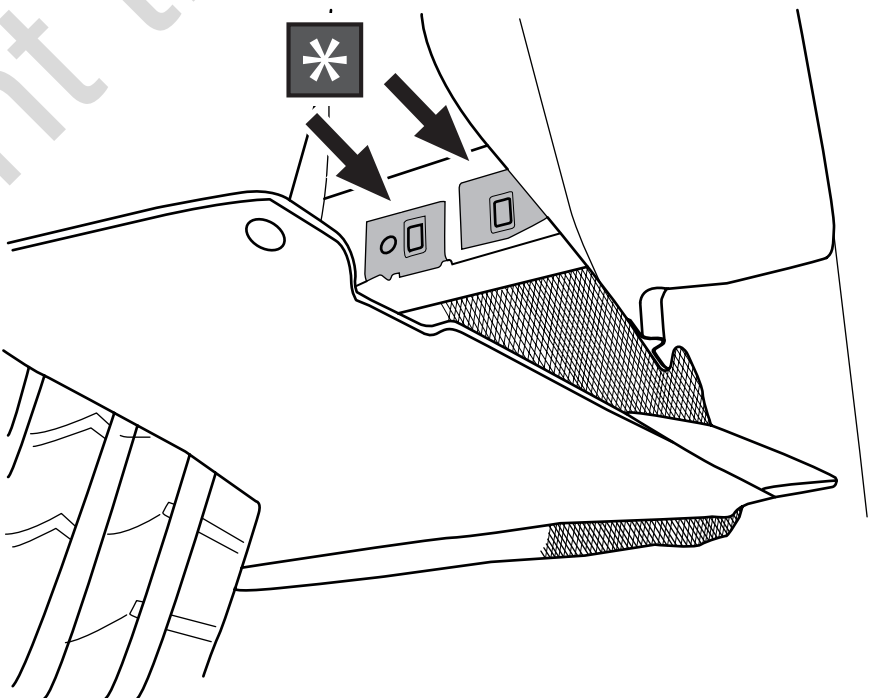
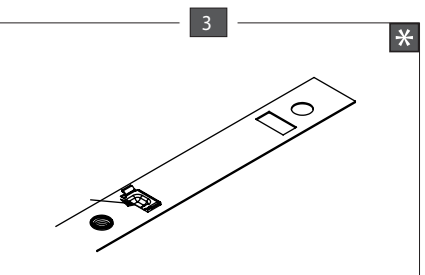
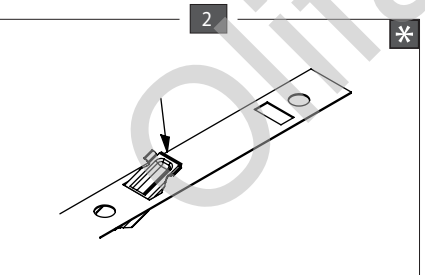
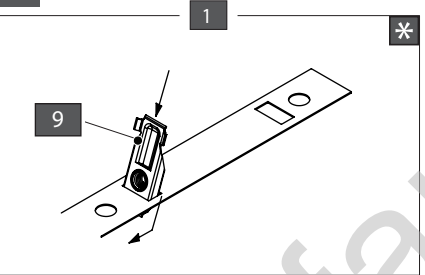
2

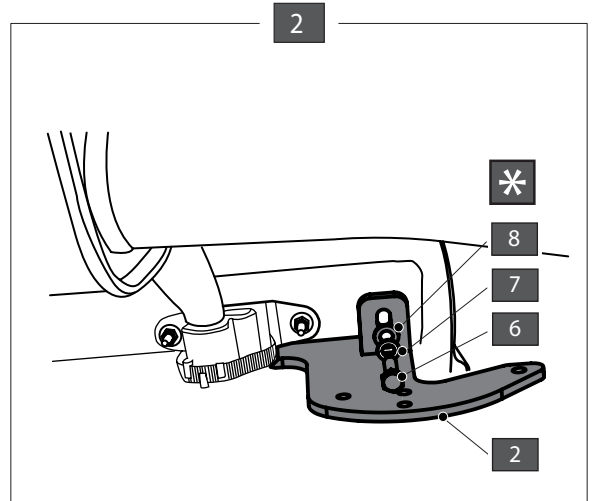
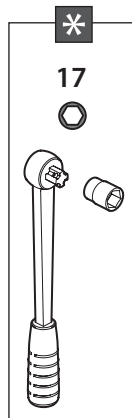
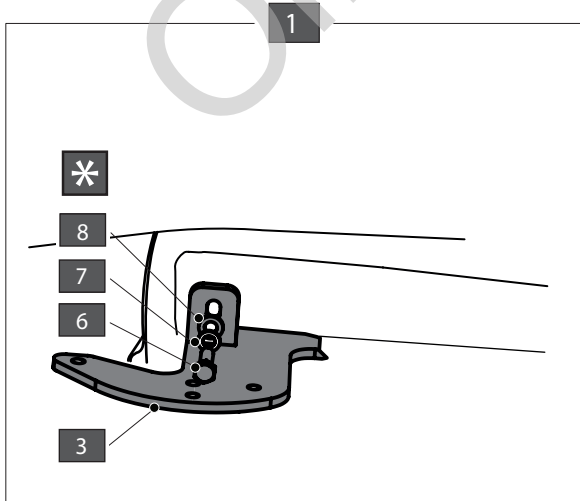
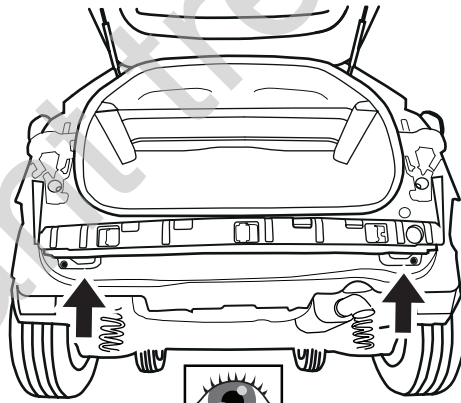
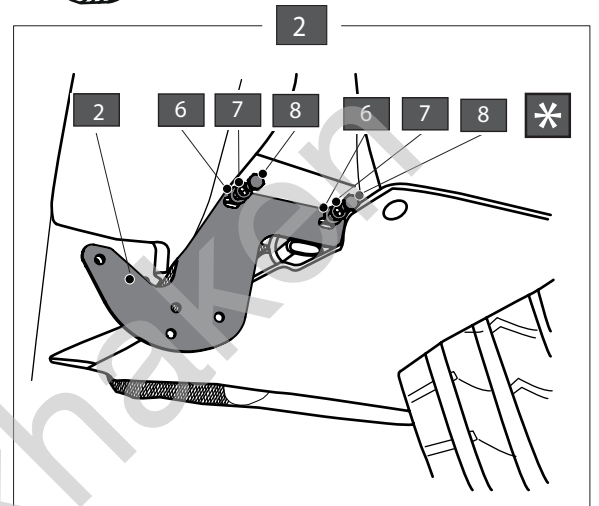
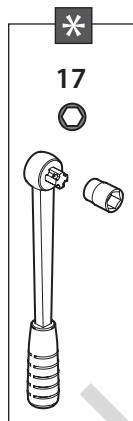
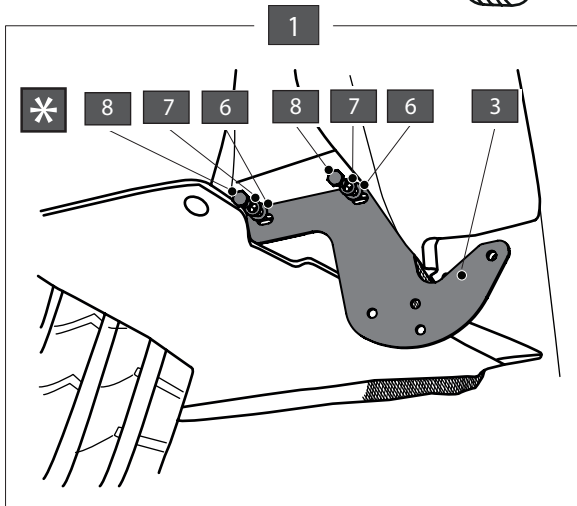
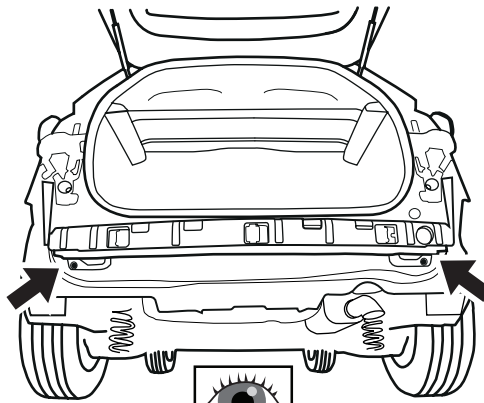


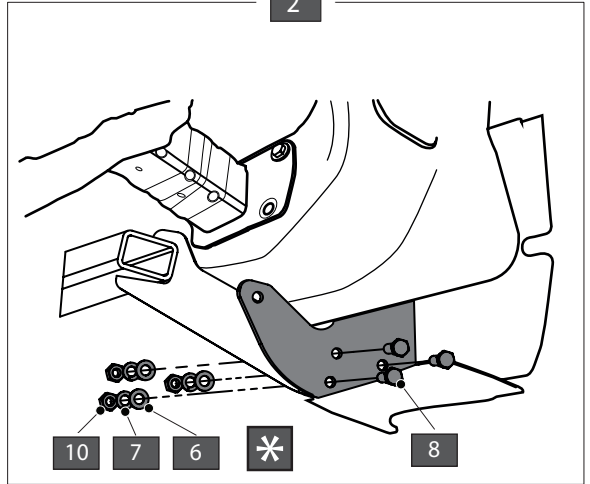
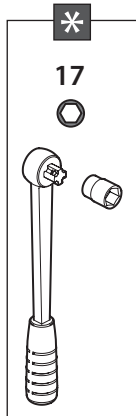
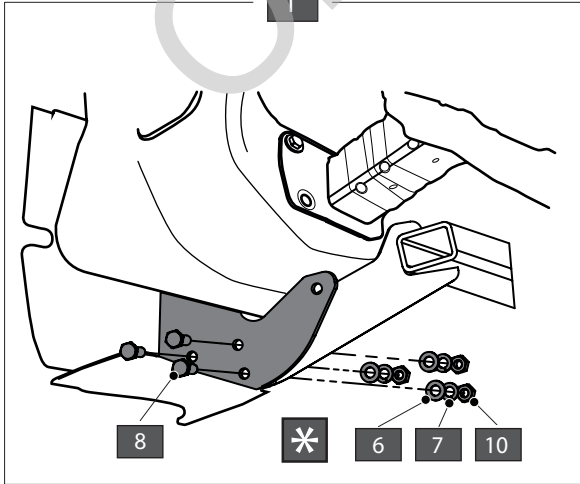
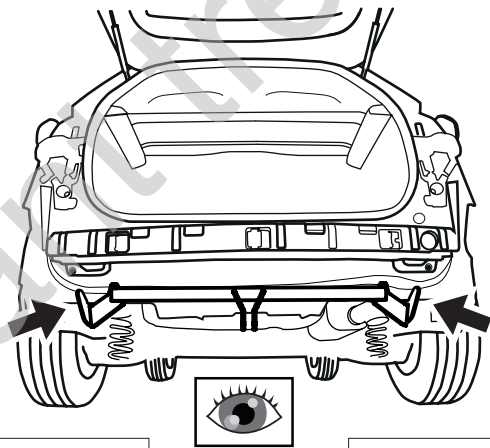
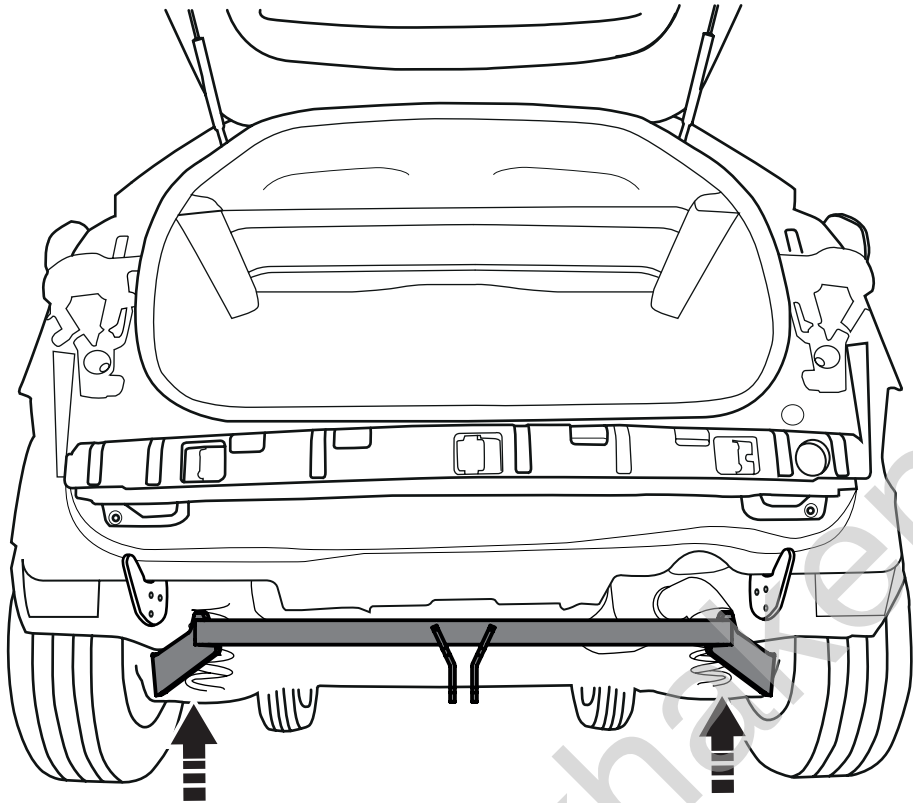
11

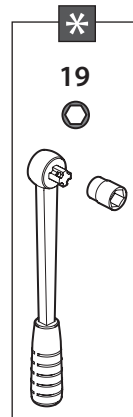
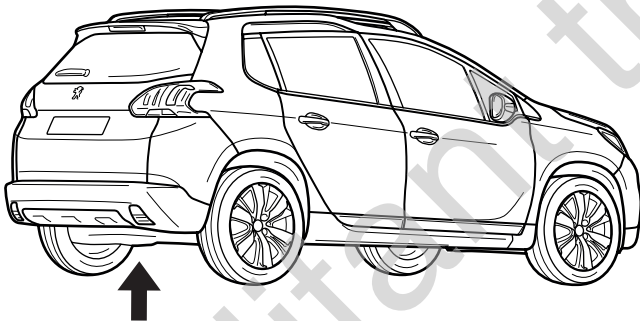
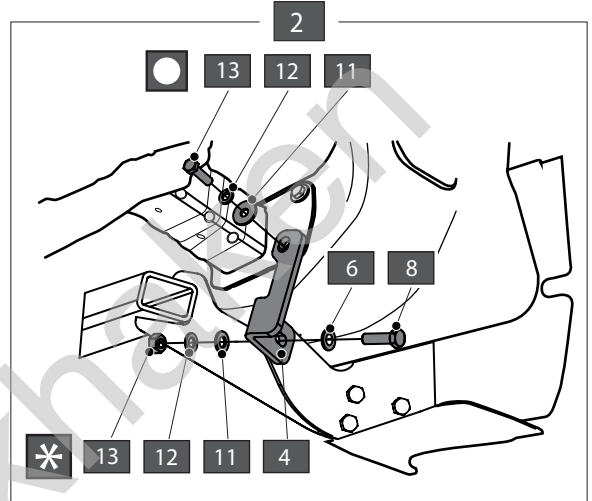
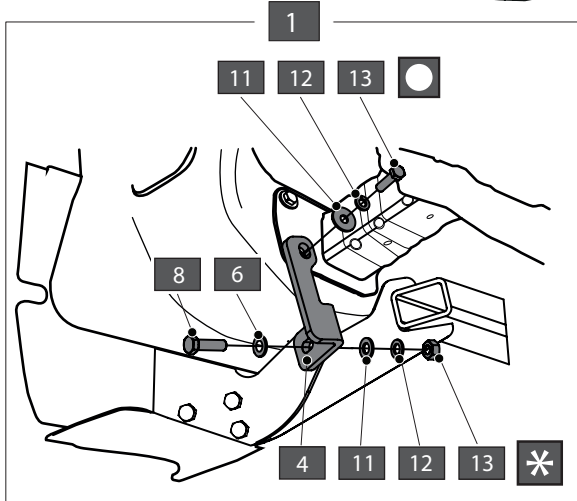
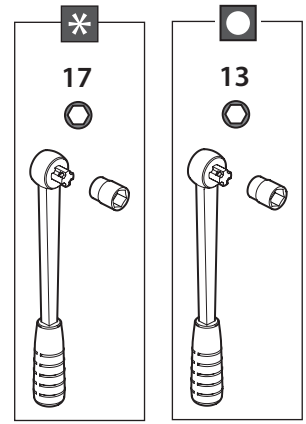
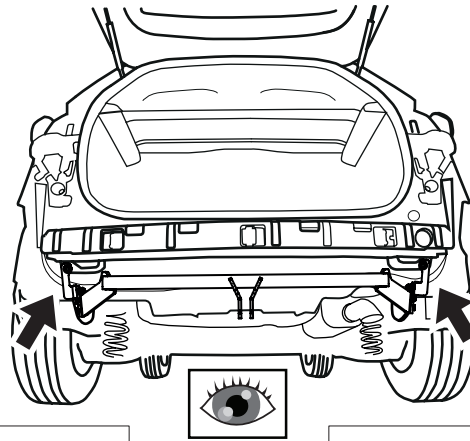


12

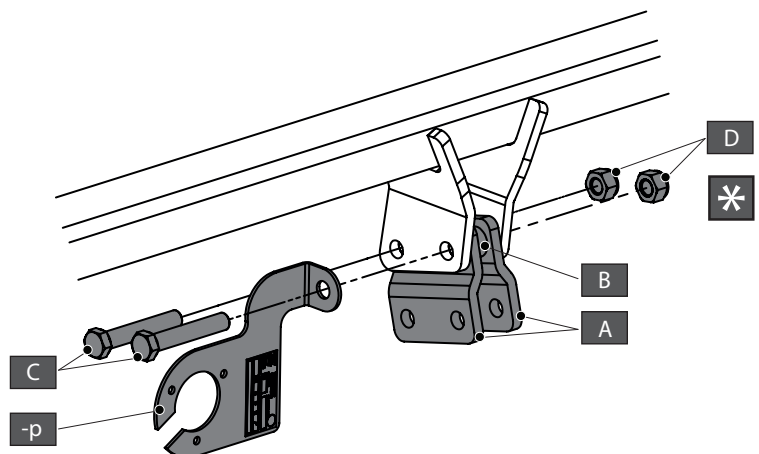


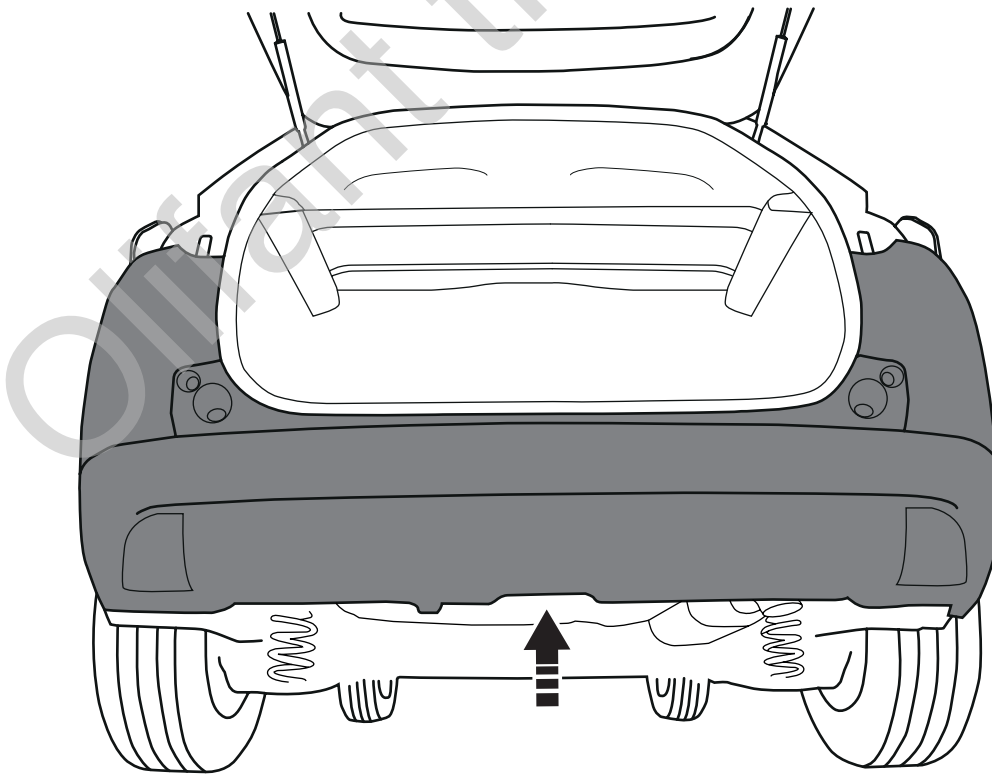
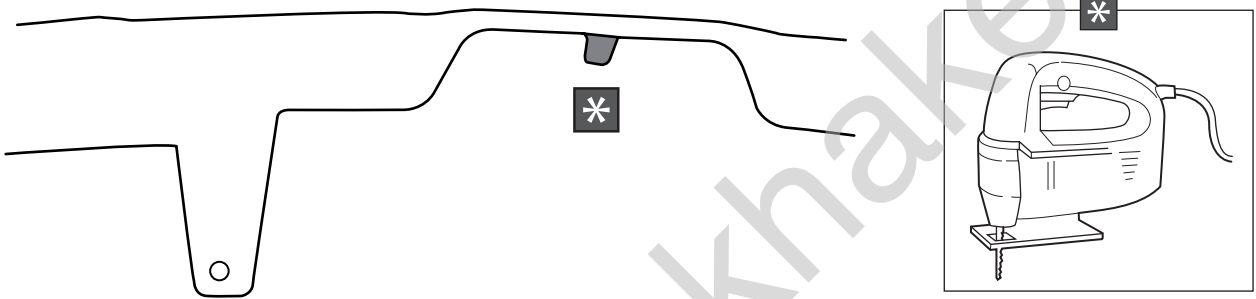
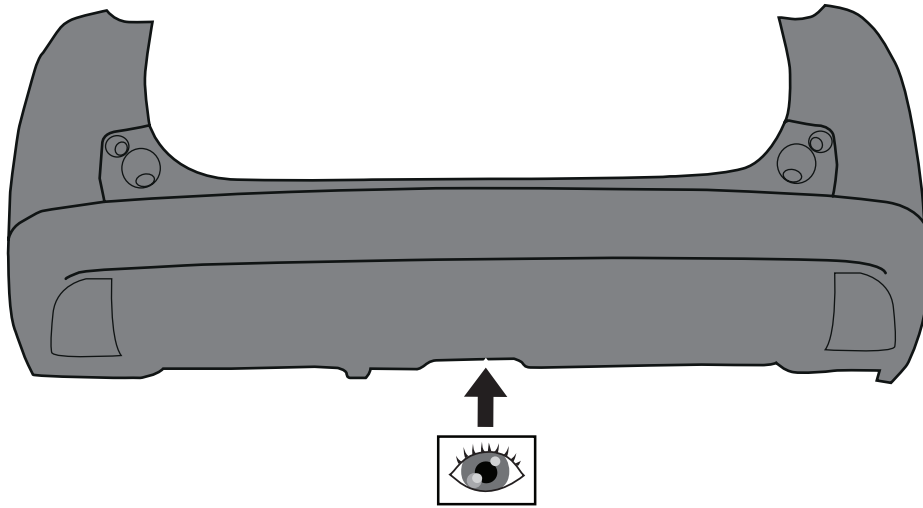


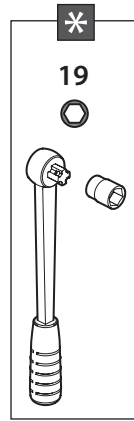
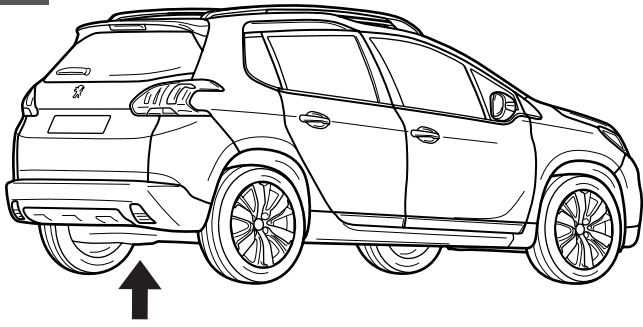


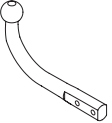


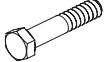


A		X2	GDW REF. 800011
C		X2	DIN931 M12 X 70
D		X2	DIN985 M12
B		X2	GDW REF. 800011







E		X1	T45L030
-S		X1	GDW REF. 800053
D		X2	DIN985-M12
C		X2	DIN931-M12 X 70

