



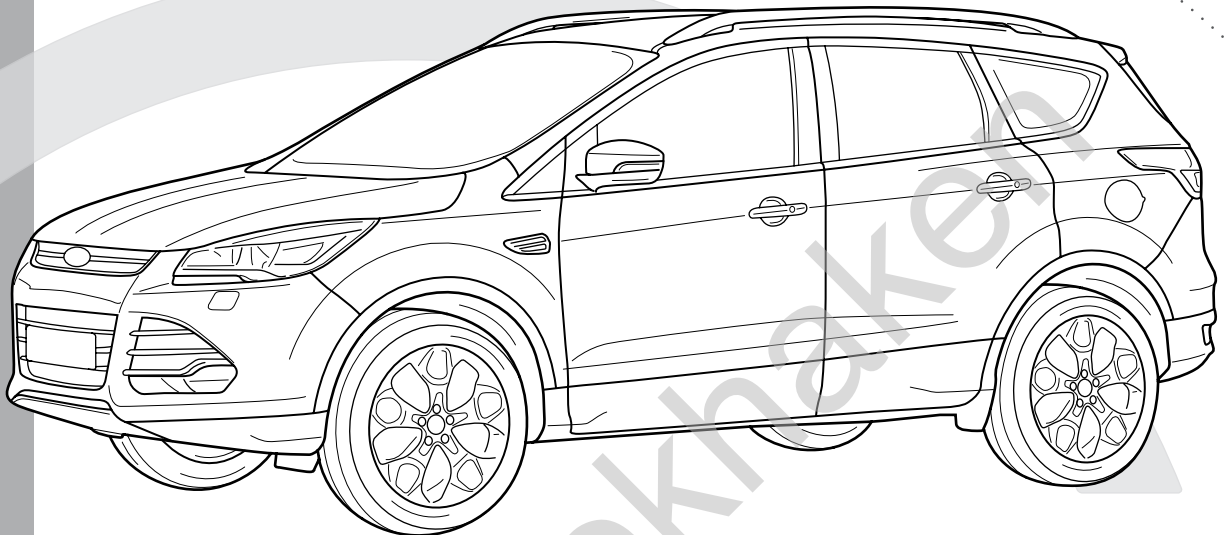
TREKHAKEN • ATTELAGES • ANHÄNGERVORRICHTUNGEN • TOWBARS • ENHANCES • ANHÆNGERTRÆK

Montagehandleiding | instructions de montage | Einbauanleitung | Mounting instruction
Instrucciones de montaje | monteringsvejledning



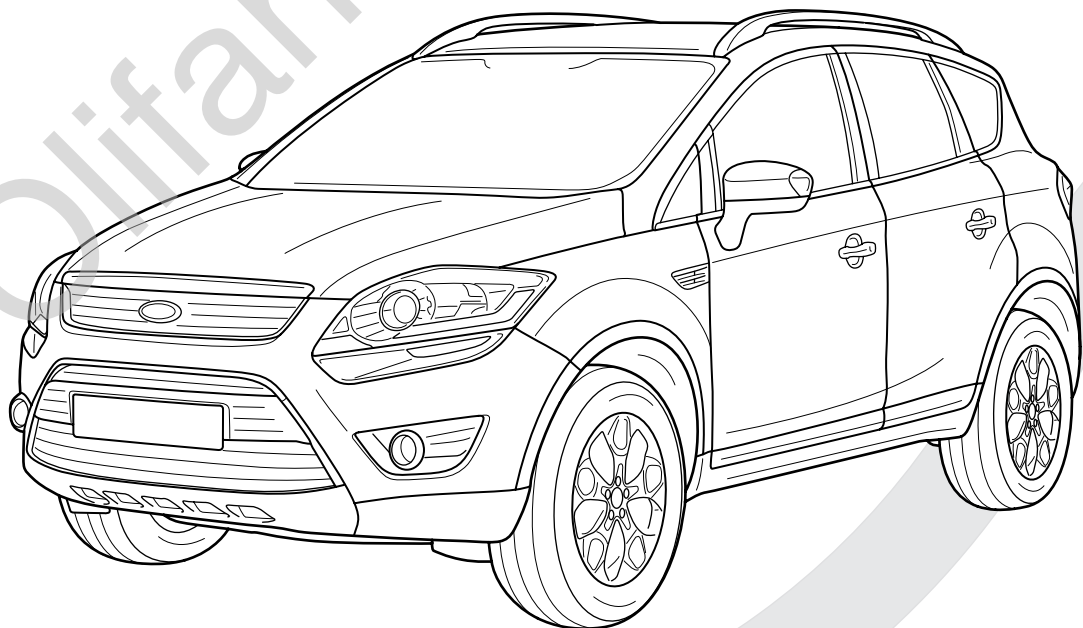
Ford Kuga

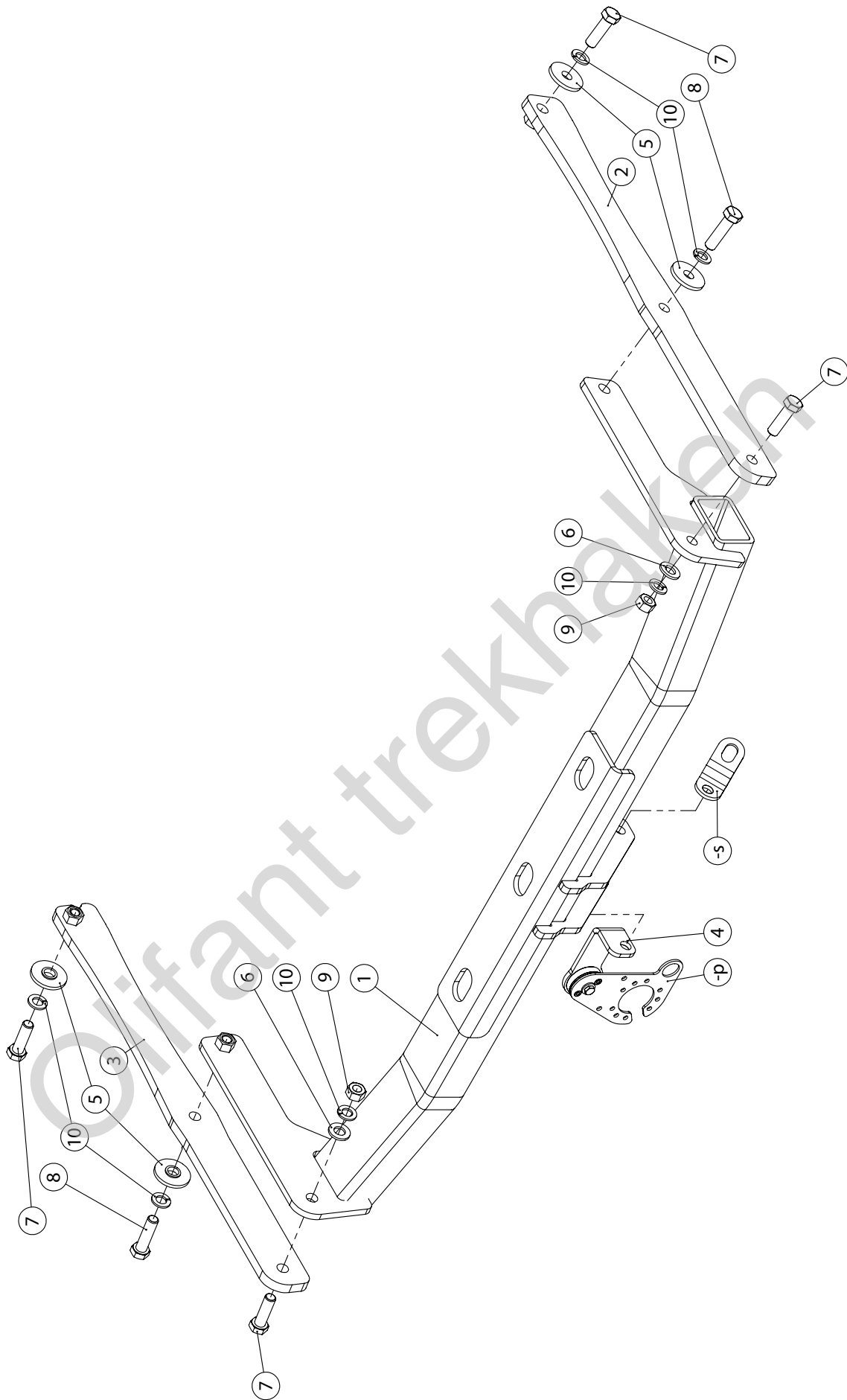
03/'13-

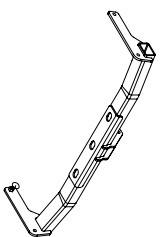
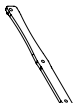
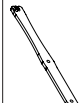
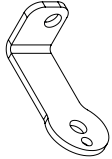






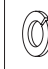
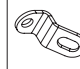


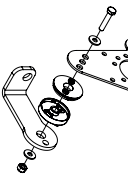
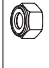


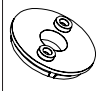
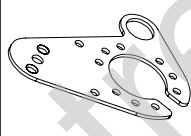

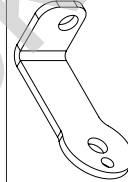
Ford Kuga

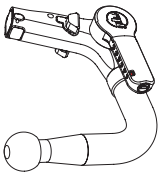
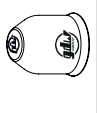
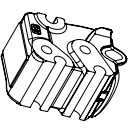


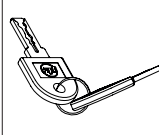
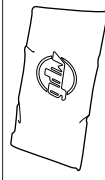
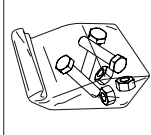



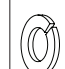
06/'08-02/'13





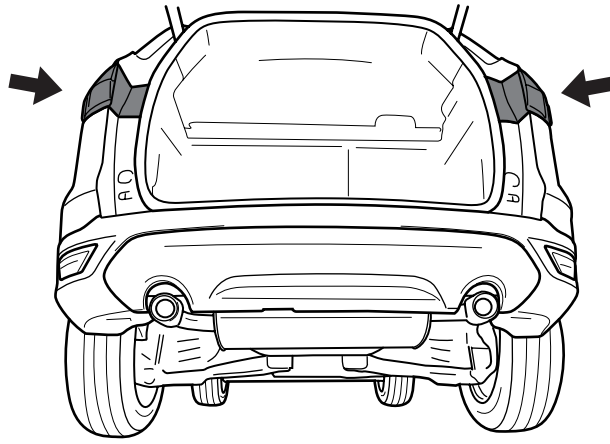
1		X1	GDW REF. 1903T60
2		X1	GDW REF. 2
3		X1	GDW REF. 3
4		X1	GDW REF. 4
5	 OF-OU-OR-ODER 	X4	GDW REF. 907016 (FORD KUGA '13-) OF-OU-OR-ODER GDW REF. 9021 Ø 37 X 13 X 3 (FORD KUGA '08-'13)
6		X2	DIN125A-M12-ELVZ
7		X4	DIN933-M12X40
8		X2	DIN933-M12X45
9		X2	DIN934-M12
10		X6	DIN128A-M12
-S		X1	900.053

-P		X1	GDW REF. P38 + GDW REF. 4
↑		X1	DIN985-M6
↑		X2	6,2 X 15,4 X 1,6 (NYLON)
↑		X1	GDW REF. 718.16.002
↑		X1	GDW REF. 718.16.003
↑		X1	GDW REF. 908.094
↑		X1	DIN933-M6 X 30
↑		X1	GDW REF. 4

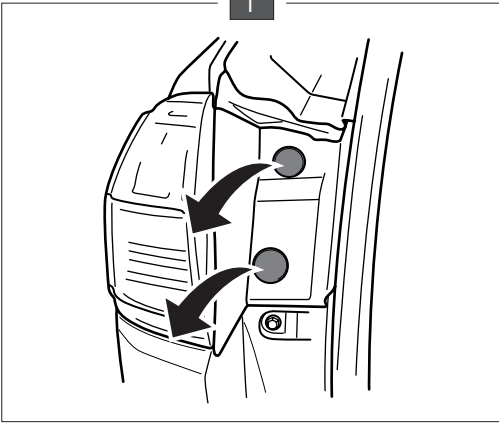
Geleverd met - Livré avec - Delivered with Geliefert mit - Elementos adjuntos-Leveres med		X1	GDW REF. 960.V1004
	↑ 	X1	GDW REF. 740.200
		X1	GDW REF. 912.003
	↑ 	X1	GDW REF. 740.112
	↑ 	X1	GDW REF. 740.111
	↑ 	X1	GDW REF. 740.114
		X1	GDW REF. 718.15.001
		X1	GDW REF. SYST60-100
	↑ 	X2	DIN933-M12 X 25
	↑ 	X2	DIN933-M12 X 20
	↑ 	X4	Ø 14 X 24 X 1
	↑ 	X4	DIN128A-M12

1

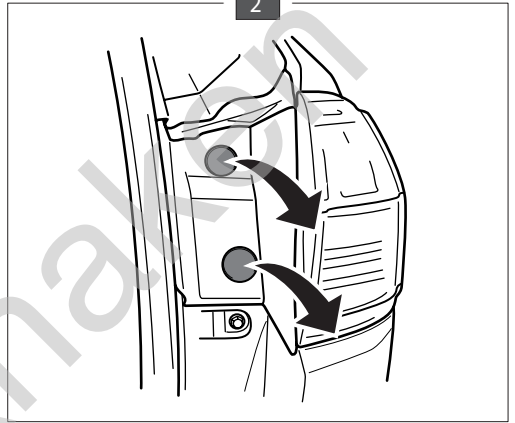
ONLY MODEL 03/'13-



1

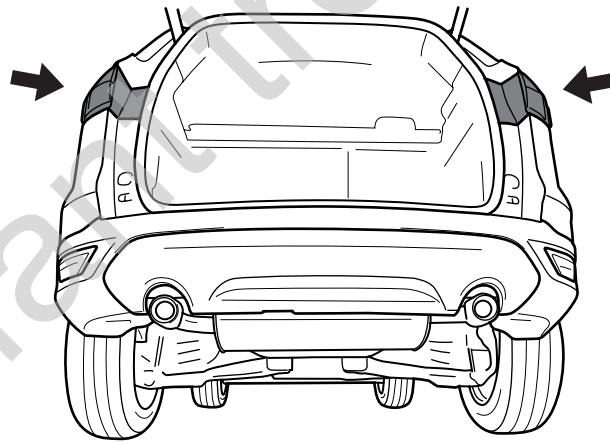


2

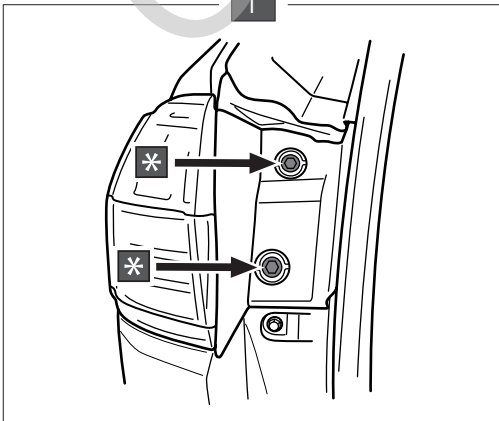


2

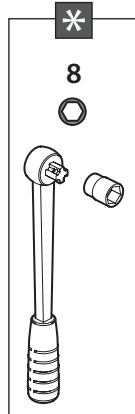
ONLY MODEL 03/'13-



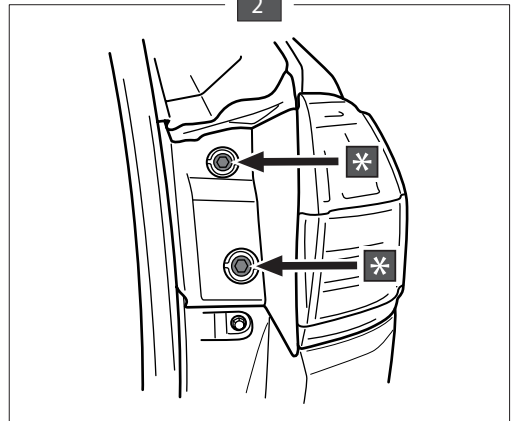
1

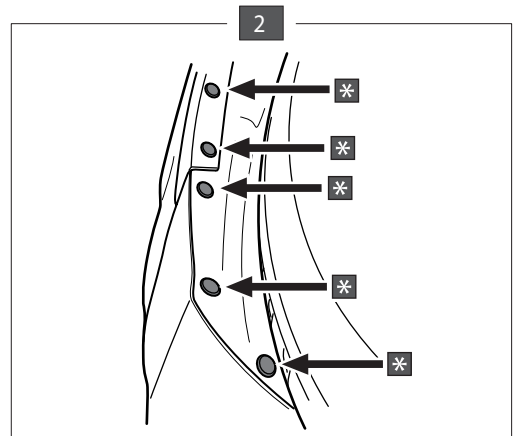
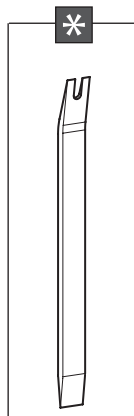
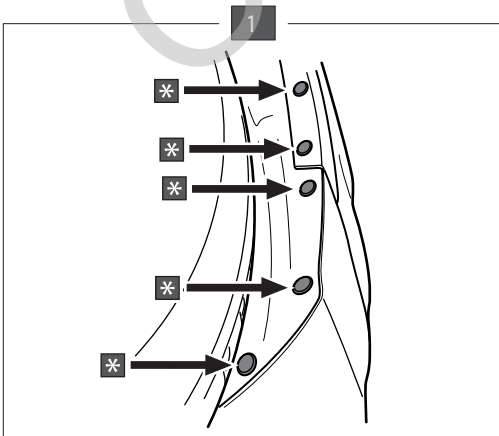
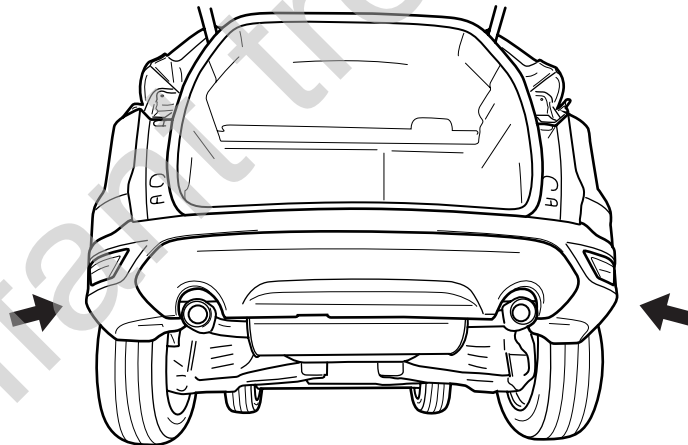
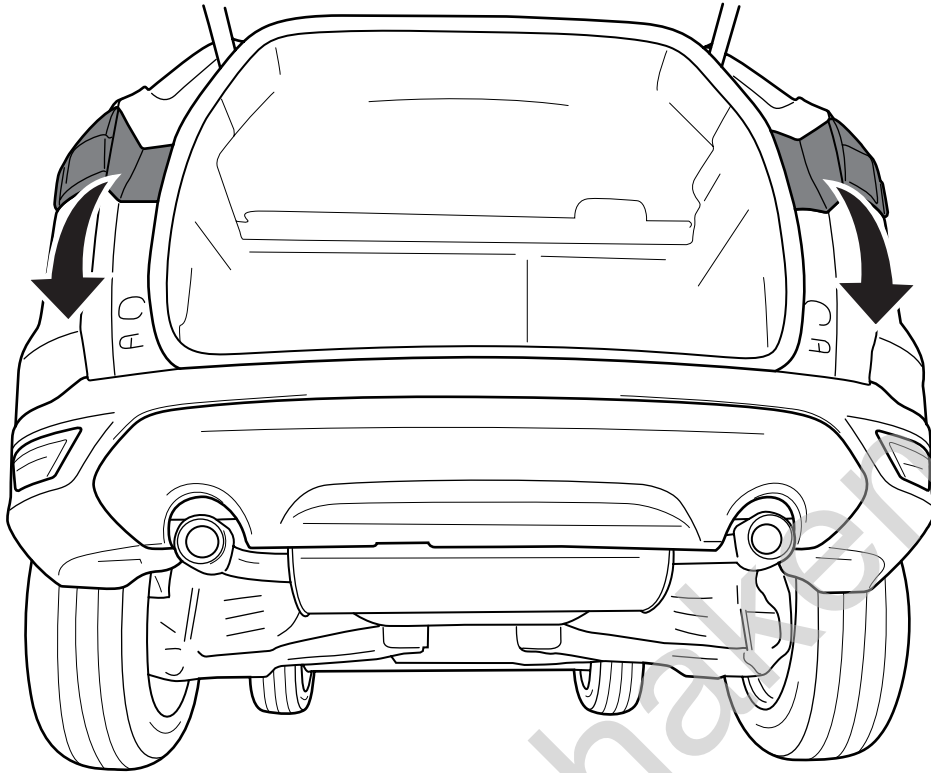


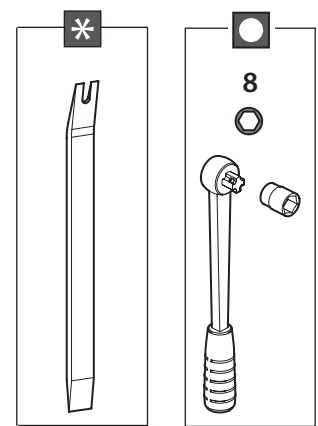
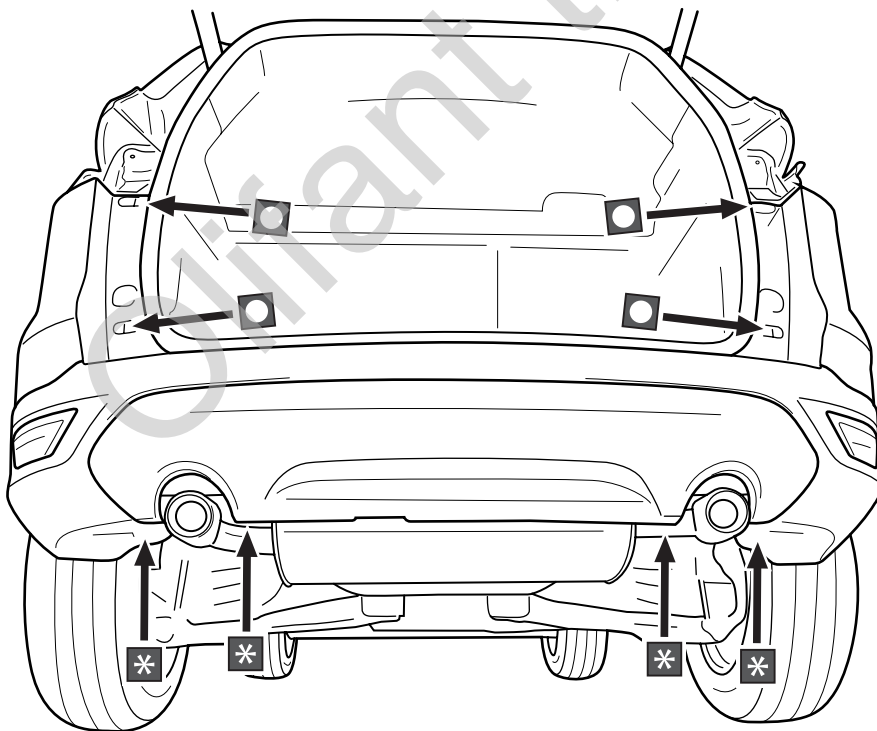
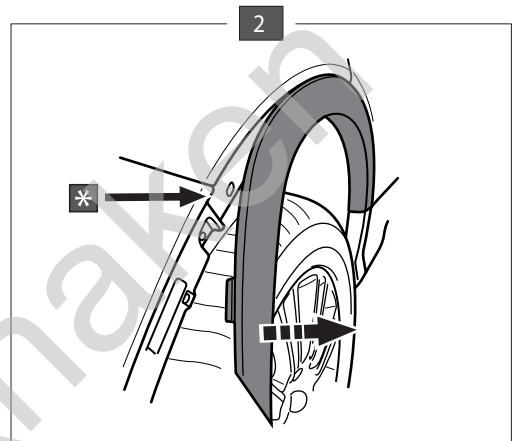
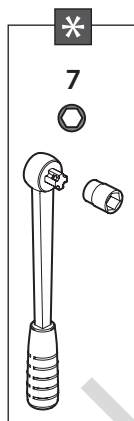
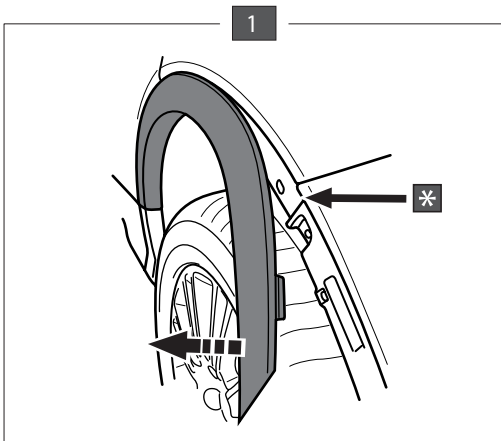
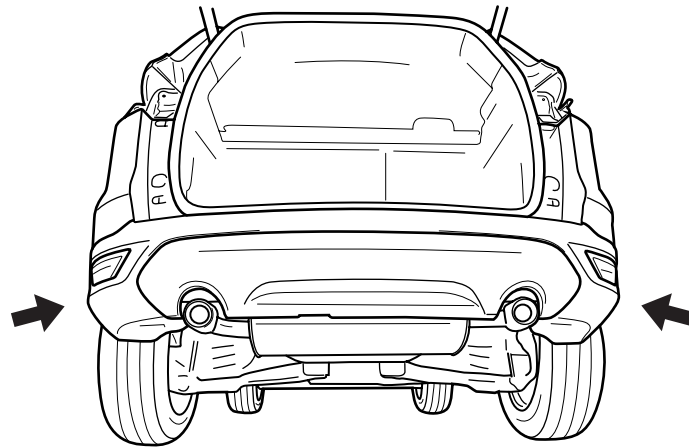
*

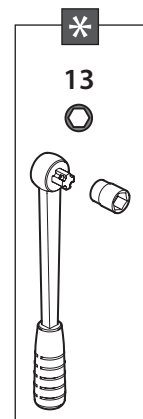
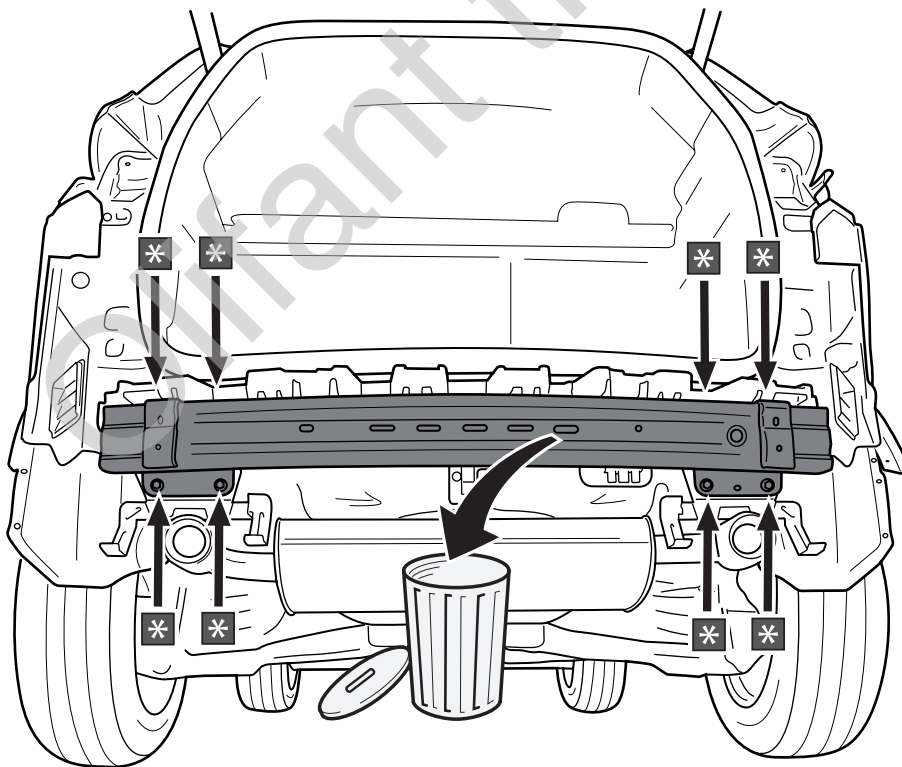
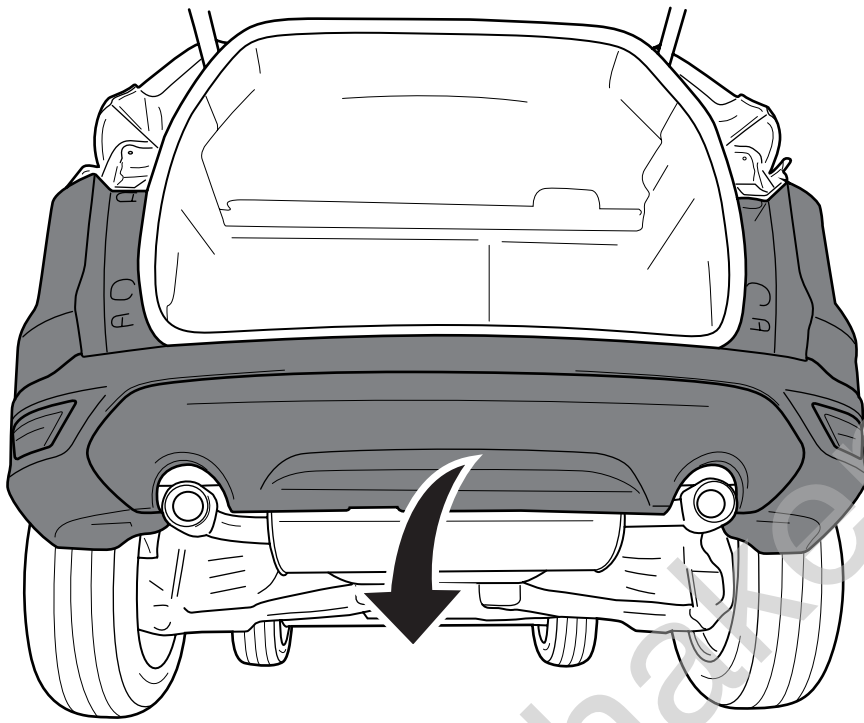


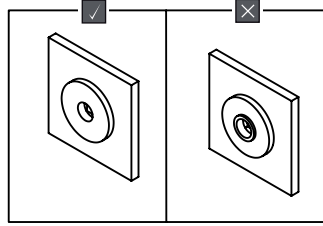
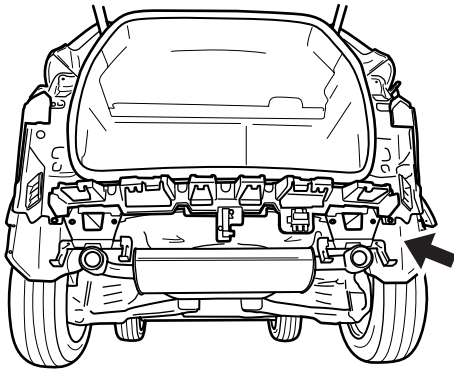
2





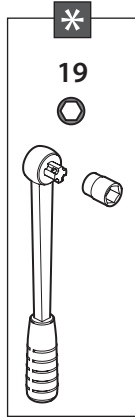




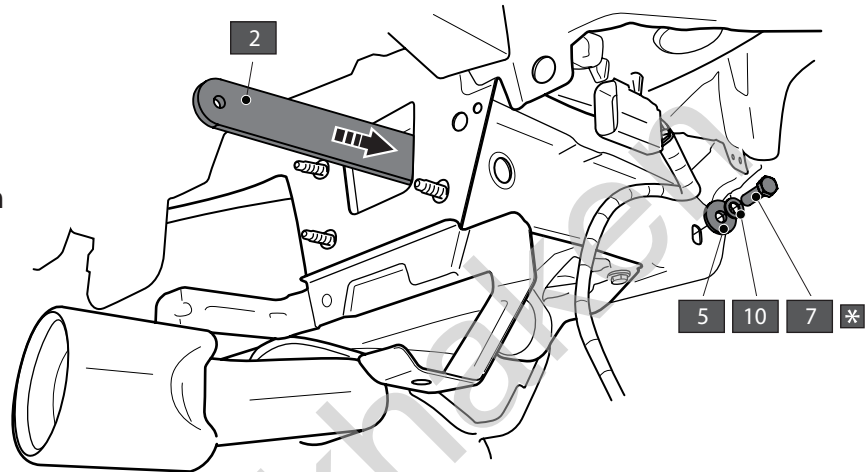






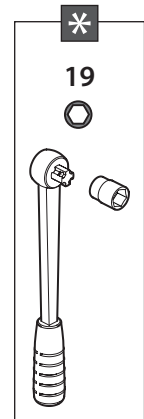
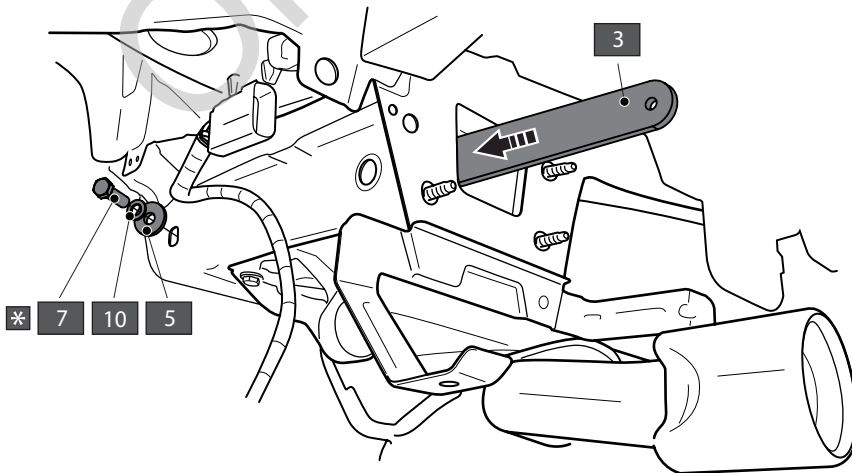
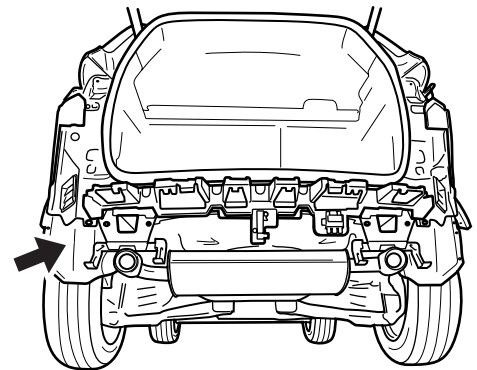
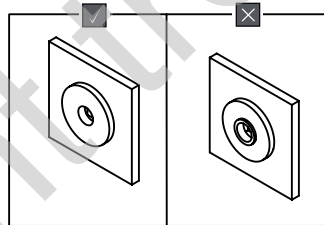
-  FORD KUGA '13-
OF - OU - ODER - OR
-  FORD KUGA '08-'13



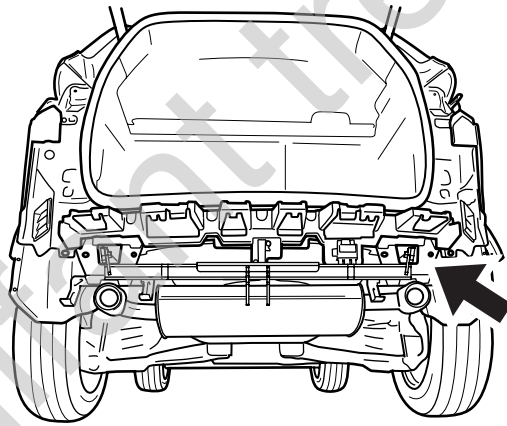
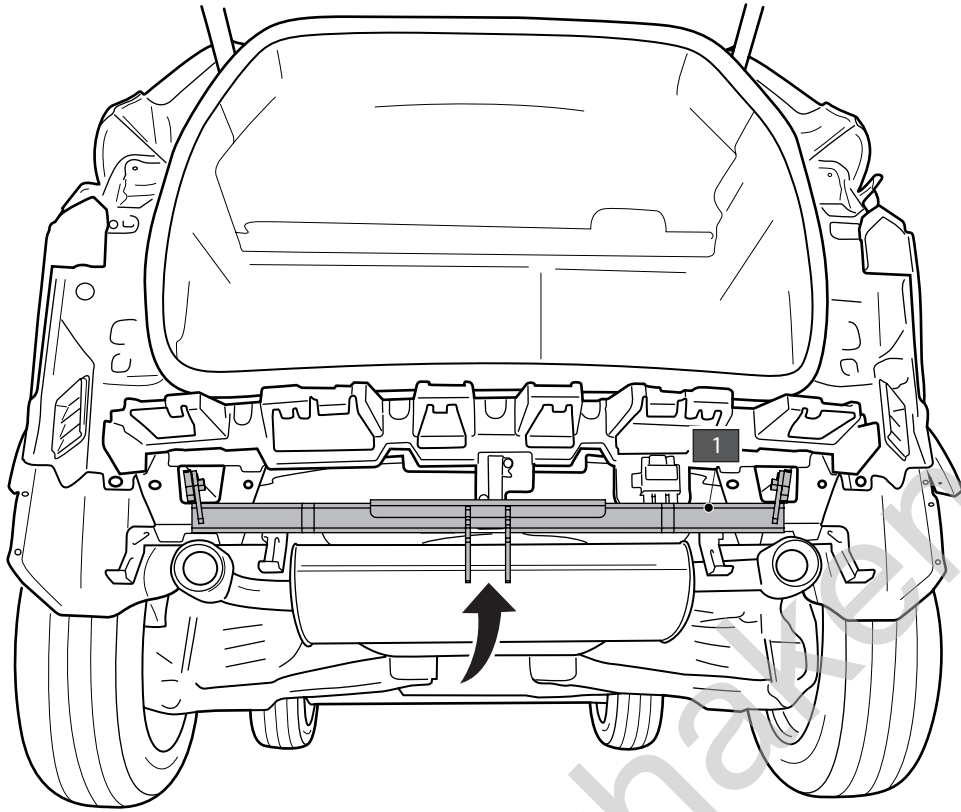

93,0 Nm





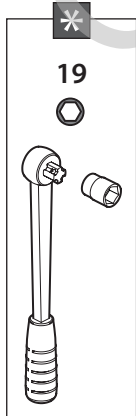
-  FORD KUGA '13-
OF - OU - ODER - OR
-  FORD KUGA '08-'13



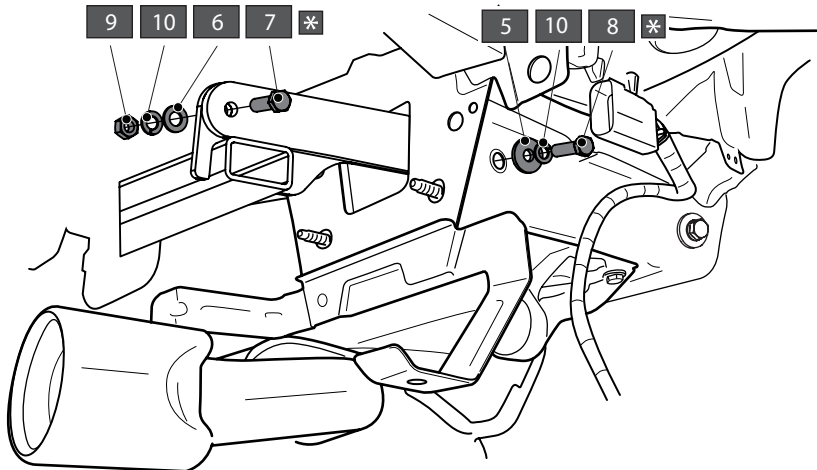

93,0 Nm



-  FORD KUGA '13-
OF - OU - ODER - OR
-  FORD KUGA '08-'13




93,0 Nm



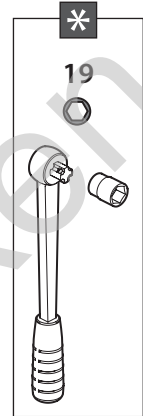
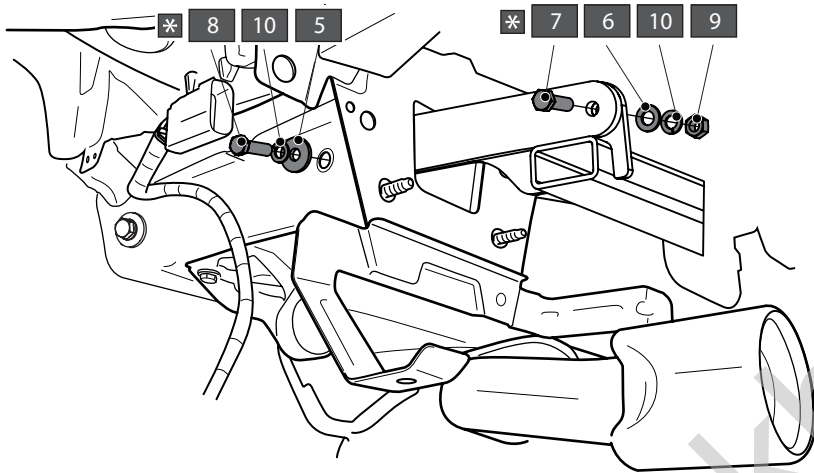
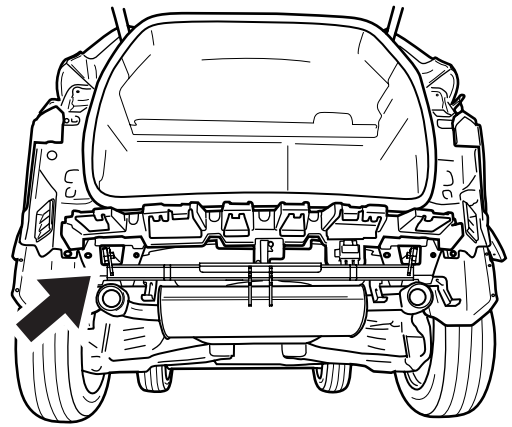


FORD KUGA '13-

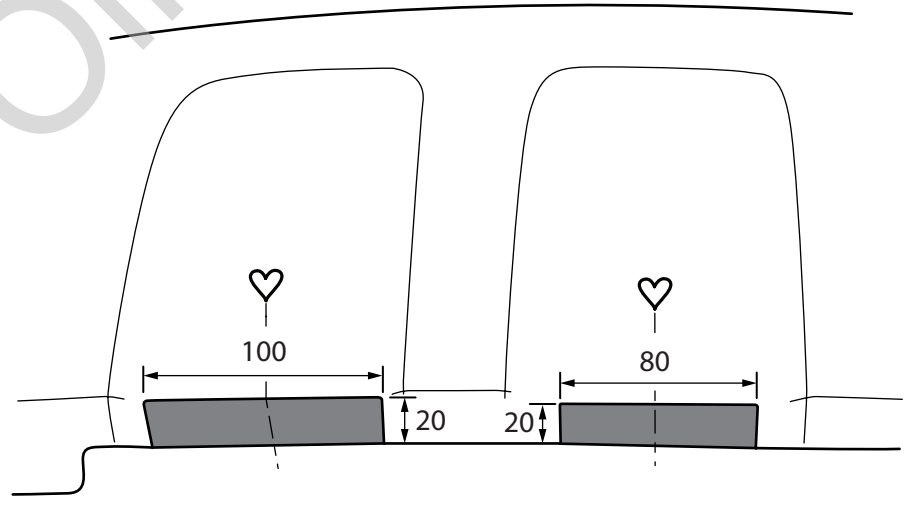
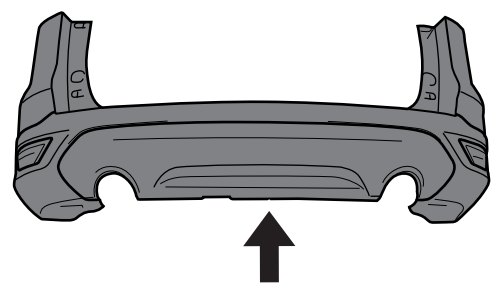
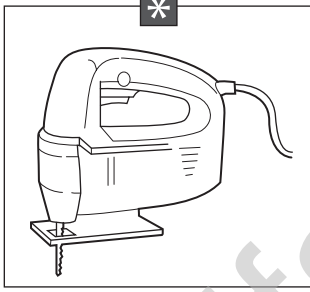
OF - OU - ODER - OR



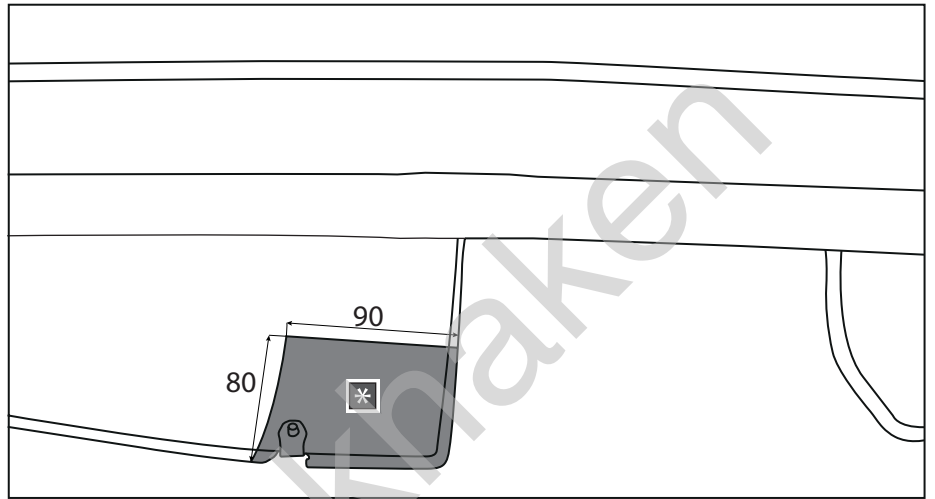
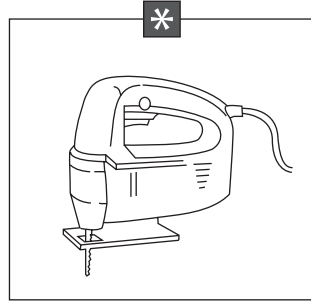
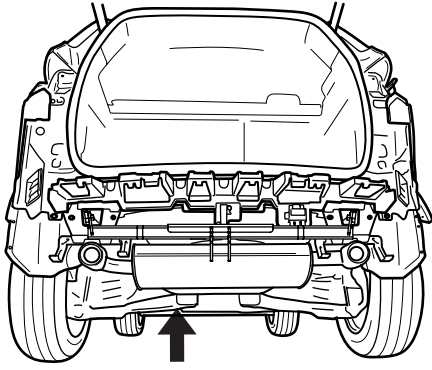
FORD KUGA '08-'13



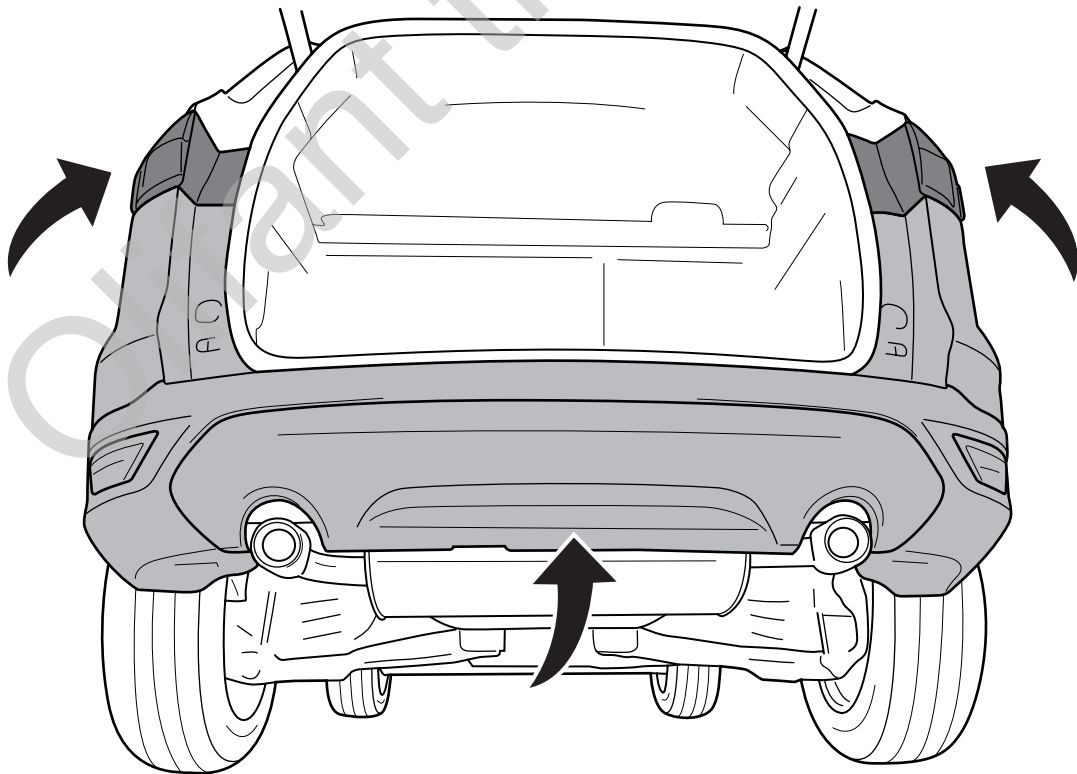
ONLY FORD KUGA '08-'13

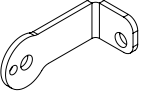




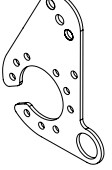



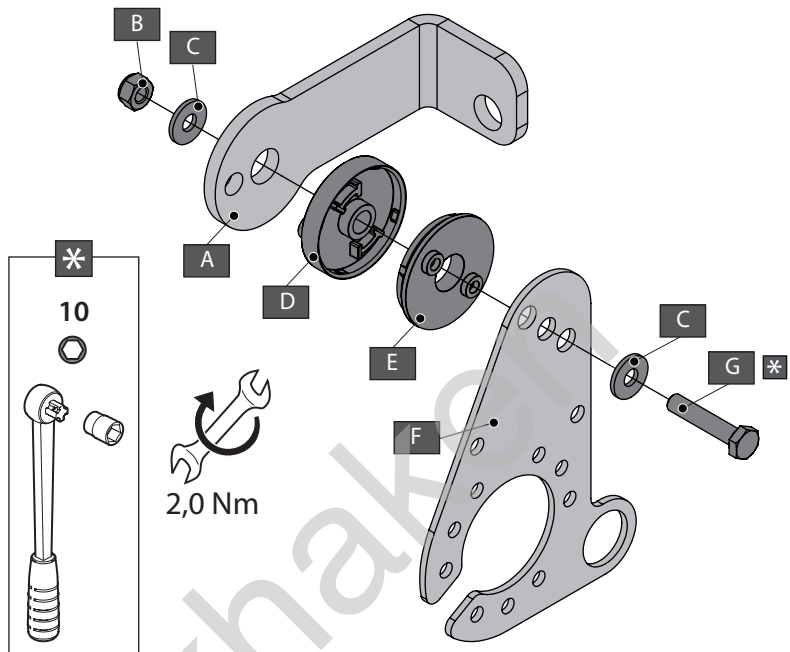
15








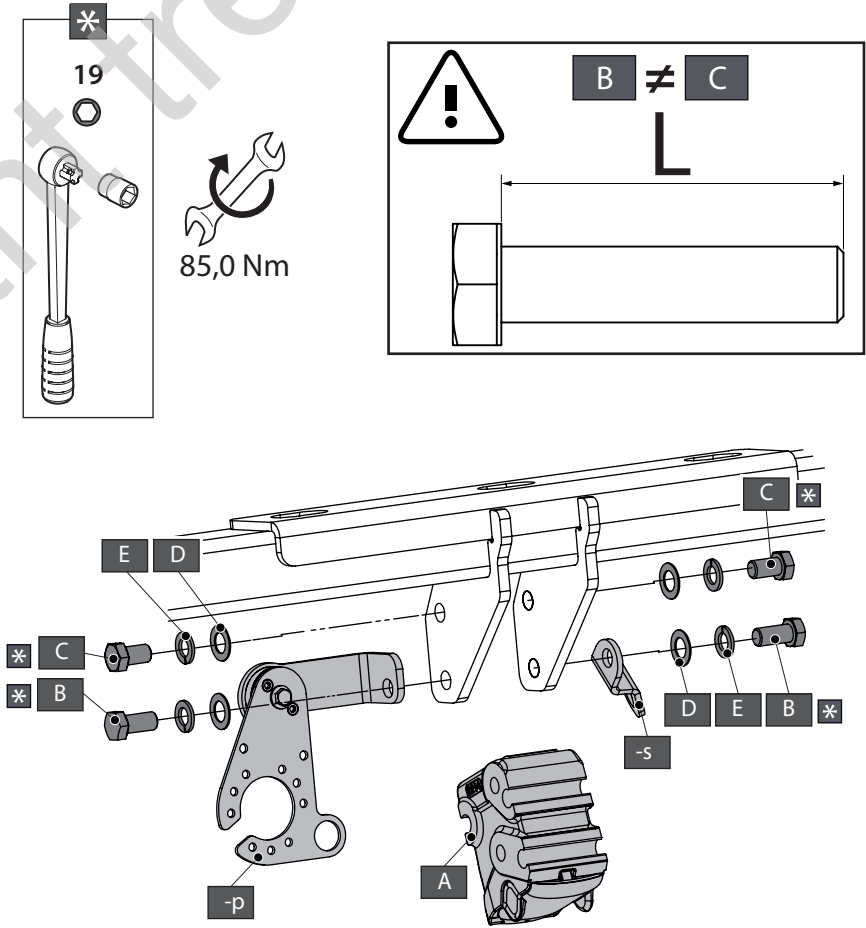
16

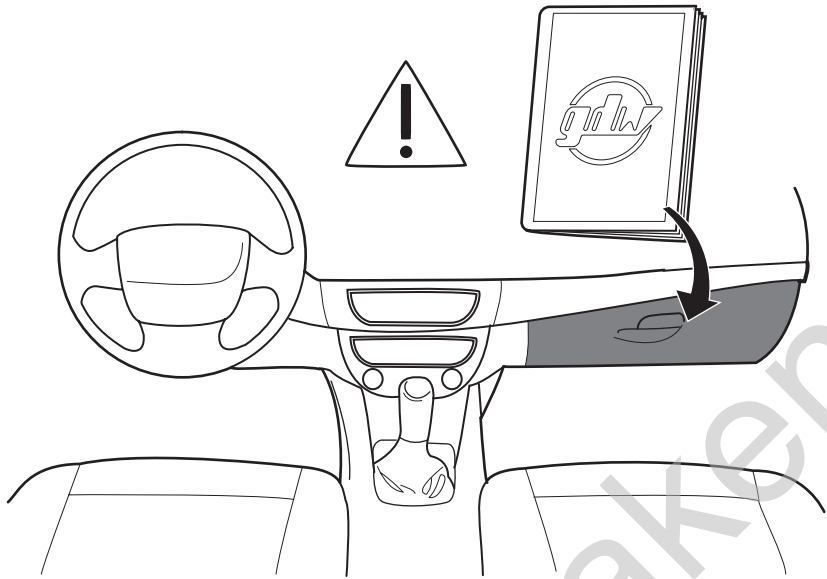


A		X1	GDW REF. 4
B		X1	DIN985-M6
C		X2	6,2 X 15,4 X 1,6 (NYLON)
D		X1	GDW REF. 718.16.002
E		X1	GDW REF. 718.16.003
F		X1	GDW REF. 908.094
G		X1	DIN933-M6 X 30



A		X1	912.003
B		X2	DIN933-M12 X 25
C		X2	DIN933-M12 X 20
D		X4	Ø 14 X 24 X 1
E		X4	DIN128A-M12





Olifant trekhaken