

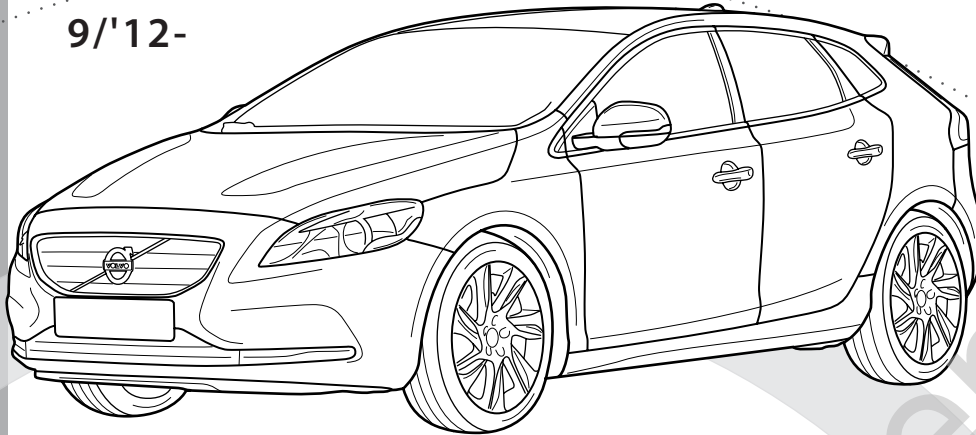


TREKHAKEN • ATTELAGES • ANHÄNGERVORRICHTUNGEN • TOWBARS • ENHANCES • ANHÆNGERTRÆK
Montagehandleiding | instructions de montage | Einbauanleitung | Mounting instruction
Instrucciones de montaje | monteringsvejledning



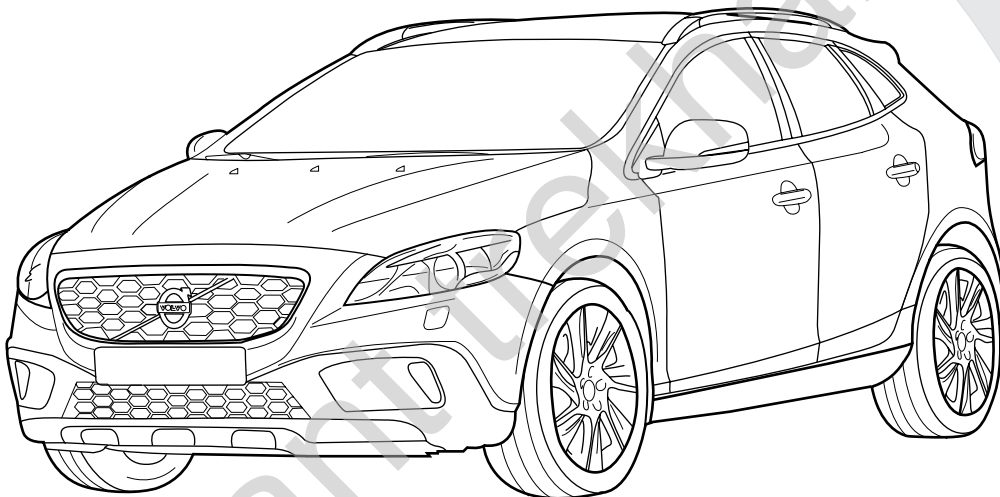
Volvo V40

9/'12-



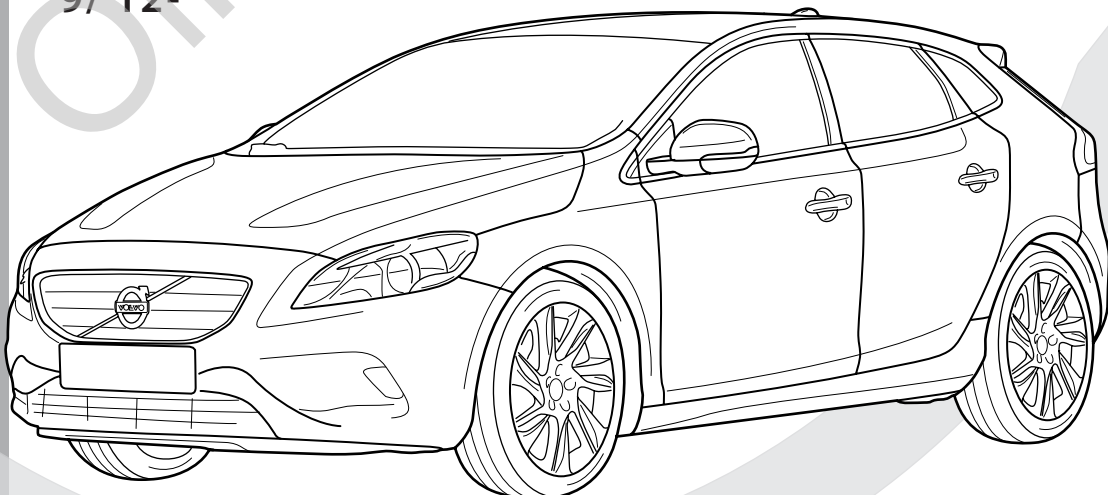
Volvo V40 Cross Country

9/'12-




Volvo V40 R-Design

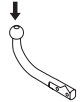
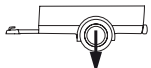
9/'12-



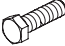
See the Certificate Of Conformity (COC) of your vehicle or contact your dealer to verify the max. trailer weight of your car!

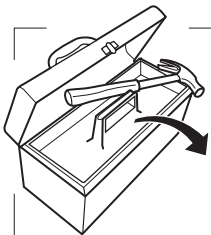
MADE BY	D 9,70	F	E6
			
BELGIUM	S 80	EC APPROVAL N°	
		55R-011035	
REF N°	SERIE N°		
1961T60			
OMSCHRIJVING			
Volvo V40 9/'12 & Volvo V40 Cross Country 9/'12 & Volvo V40 R-Design 9/'12			

$$D = \frac{\text{max kg (car)} \times \text{max kg (trailer)}}{\text{max kg (car)} + \text{max kg (trailer)}} \times 0.00981 \leq 9,70 \text{ kN}$$

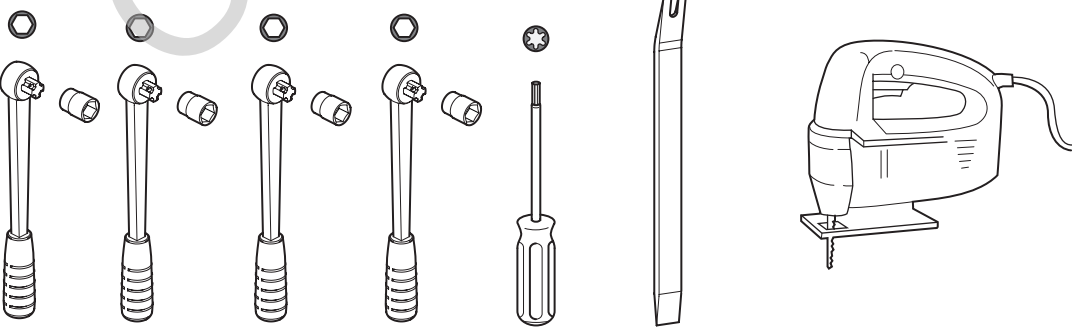
S =  = 80 kg  = 1600 kg

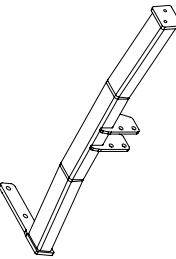
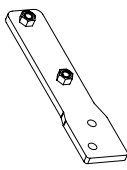
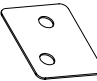









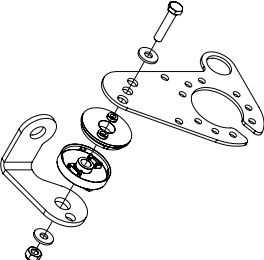
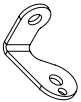




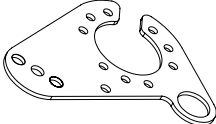

	M 6	M 8	M 10	M 12	M 14	M 16
8.8	10,4 Nm	25,0 Nm	51,0 Nm	87,0 Nm	140,0 Nm	215,0 Nm
10.9	15,5 Nm	37,0 Nm	75,0 Nm	130,0 Nm	205,0 Nm	310, Nm
12.9	18,0 Nm	43,0 Nm	87,0 Nm	150,0 Nm	240,0 Nm	370,0 Nm

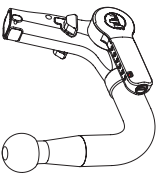
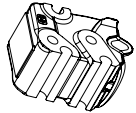
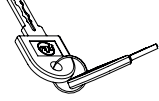

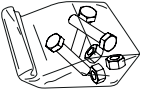


13 **17** **19** **20** **TX20**

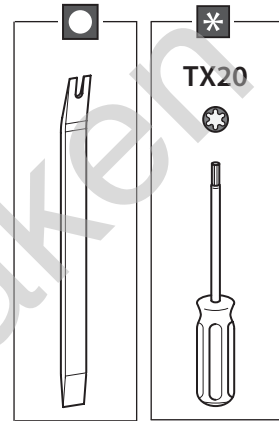
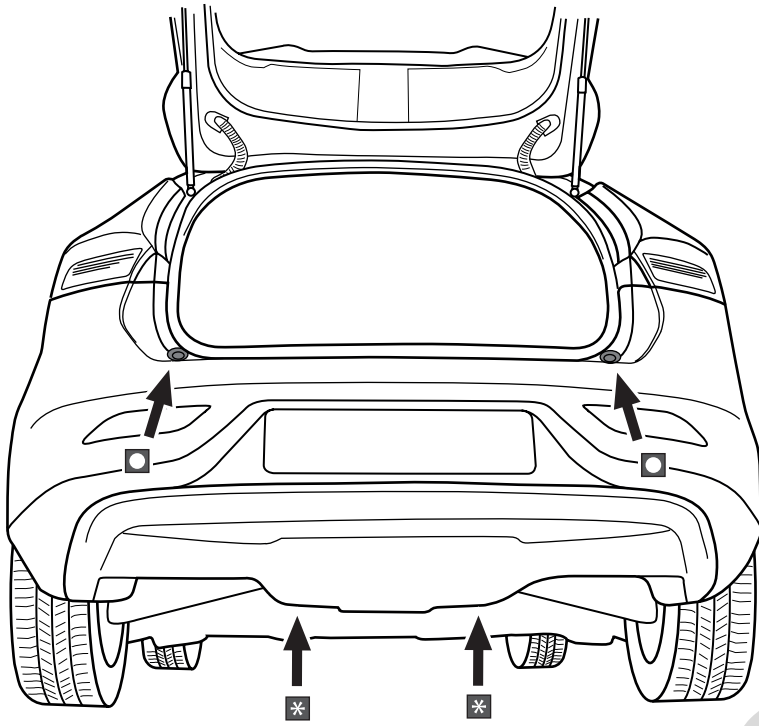


1		X 1	GDW REF. 1961T60
2		X 1	GDW REF. 2
3		X 2	GDW REF. 3
4		X 4	DIN9021-M12-ELVZ
5		X 4	DIN 128A-M12
6		X 4	DIN 933-M12X35
7		X 2	DIN125-A10-140HV-ELVZ
8		X 2	DIN 128A-M10
9		X 2	DIN 933-M10X35
10		X 1	GDW REF. 10

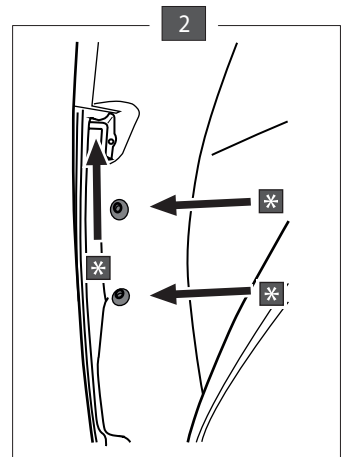
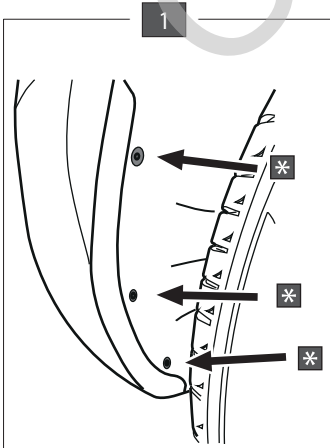
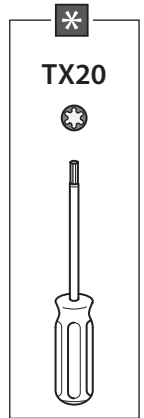
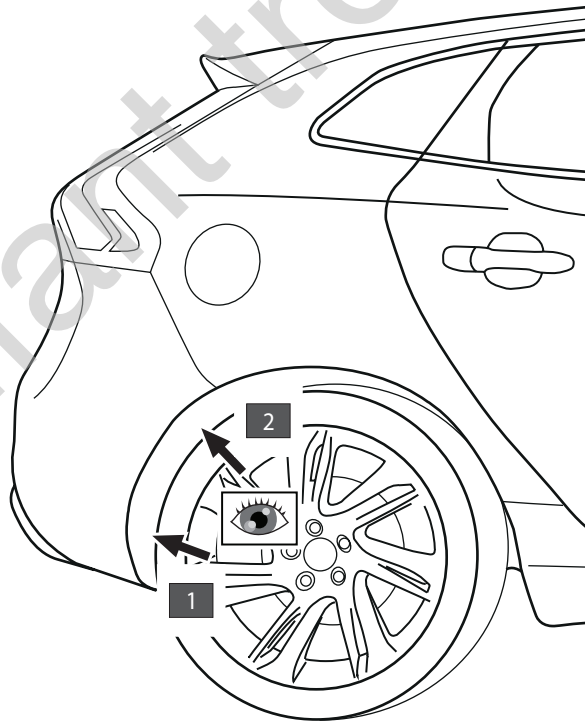
-P		X 1	GDW REF. P38 + REF. 10
↑		X 1	GDW REF. 10
↑		X 1	DIN985-M6
↑		X 2	6,2 x 15,4 x 1,6 (NYLON)
↑		X 1	GDW REF. 718.16.002
↑		X 1	GDW REF. 718.16.003
↑		X 1	GDW REF. 908.094
↑		X 1	DIN933-M6 X 30

Geleverd met - Livré avec - Delivered with Gefelefert mit - Elementos adjuntos-Leveres med		X 1	GDW REF. 960.V0606
	↑	X 1	GDW REF. 740.200
		X 1	GDW REF. 912.003
	↑	X 1	GDW REF. 740.112
	↑	X 1	GDW REF. 740.111
		X 1	GDW REF. 740.114
		X 1	GDW REF. 718.15.001
		X 1	GDW REF. SYST60-100
	↑	X 2	DIN933-M12 X 25
	↑	X 2	DIN933-M12 X 20
	↑	X 4	Ø 14 X 24 X 1
	↑	X 4	DIN128A-M12

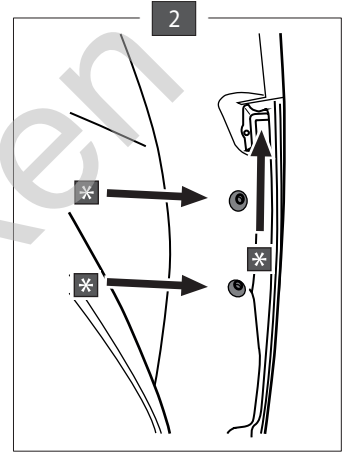
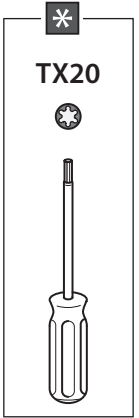
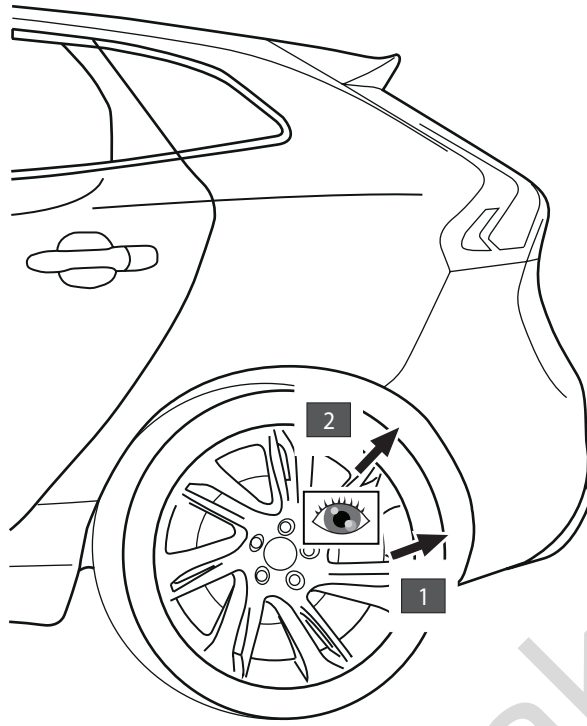
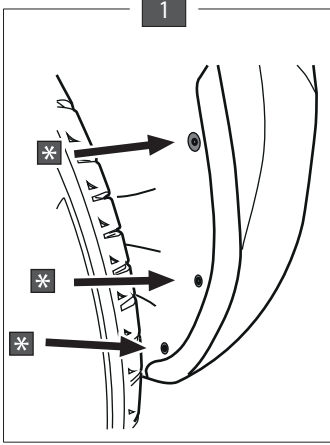
1



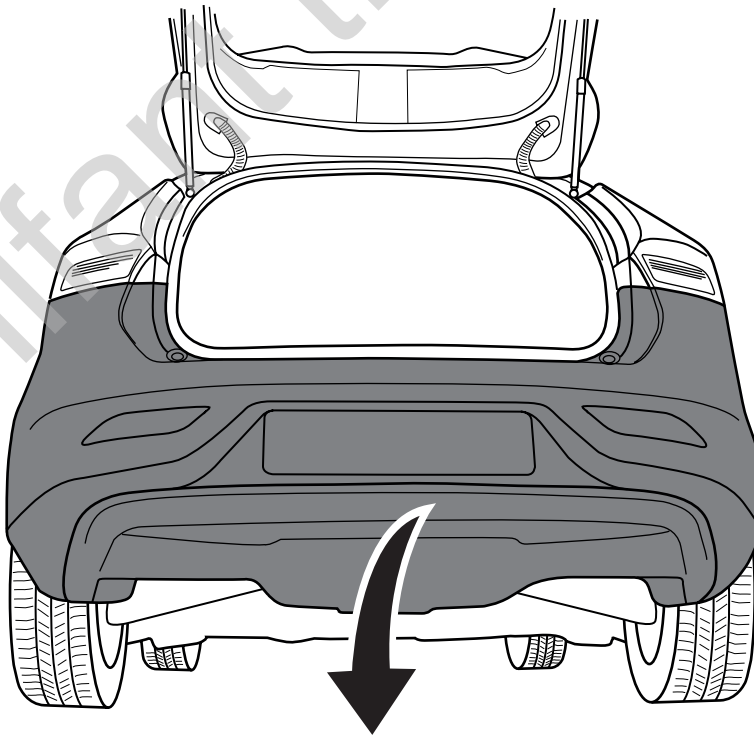
2



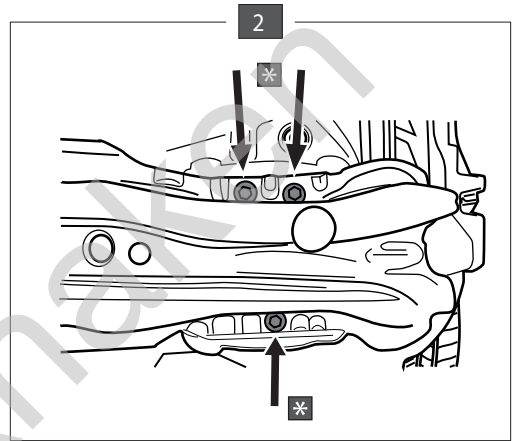
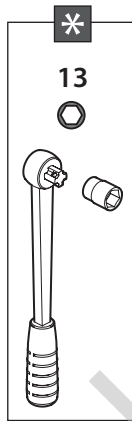
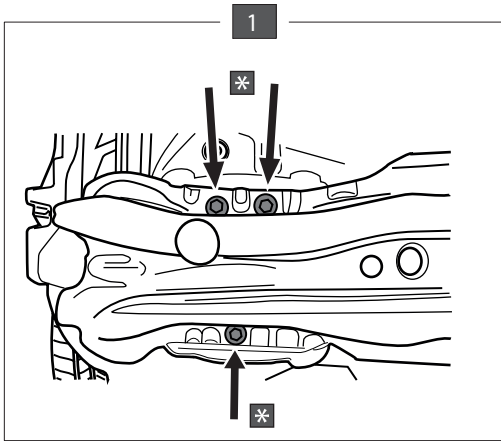
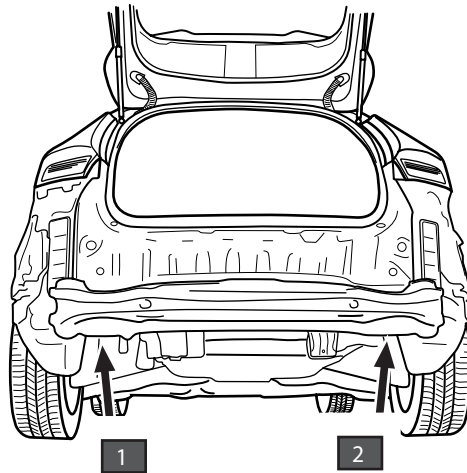
3



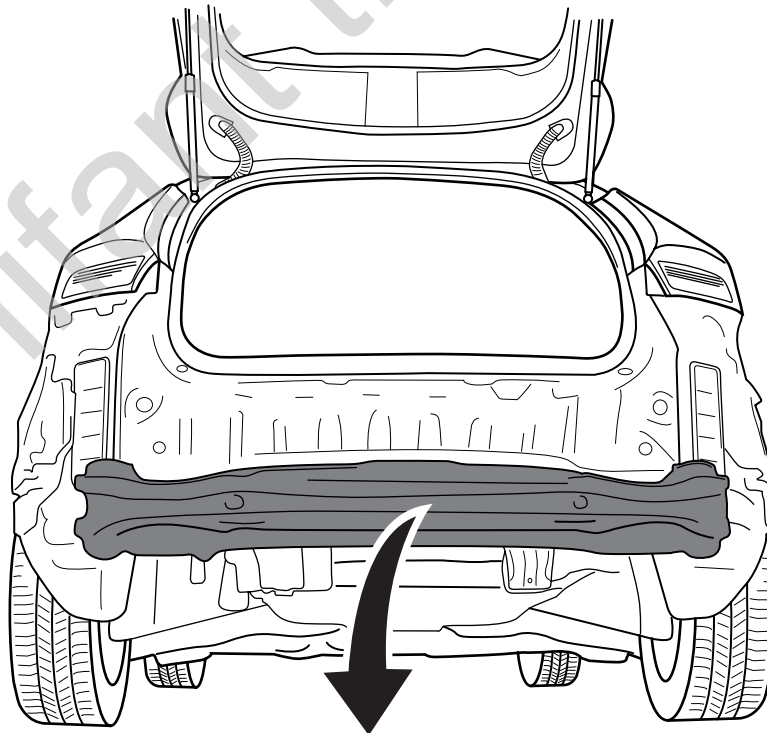
4



5



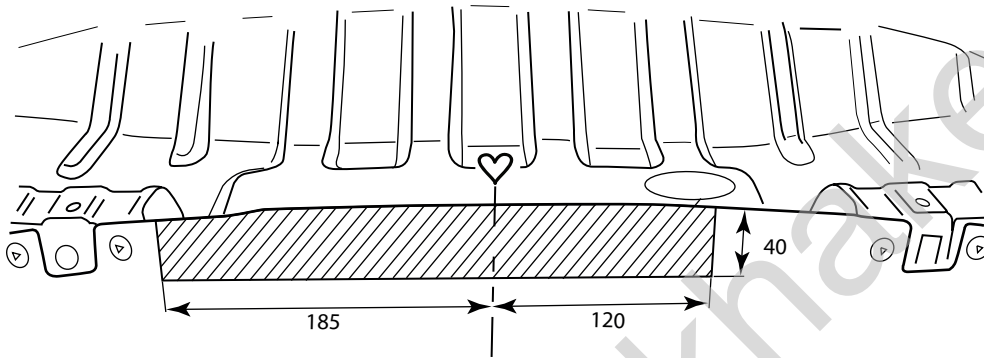
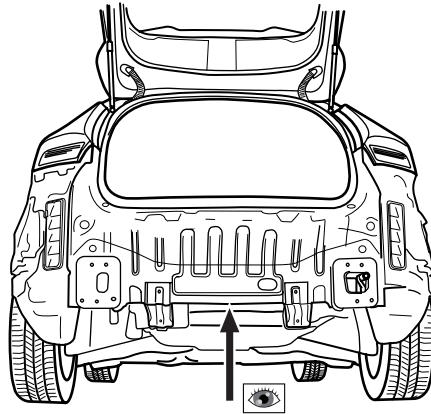
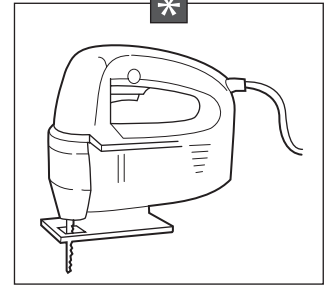
6



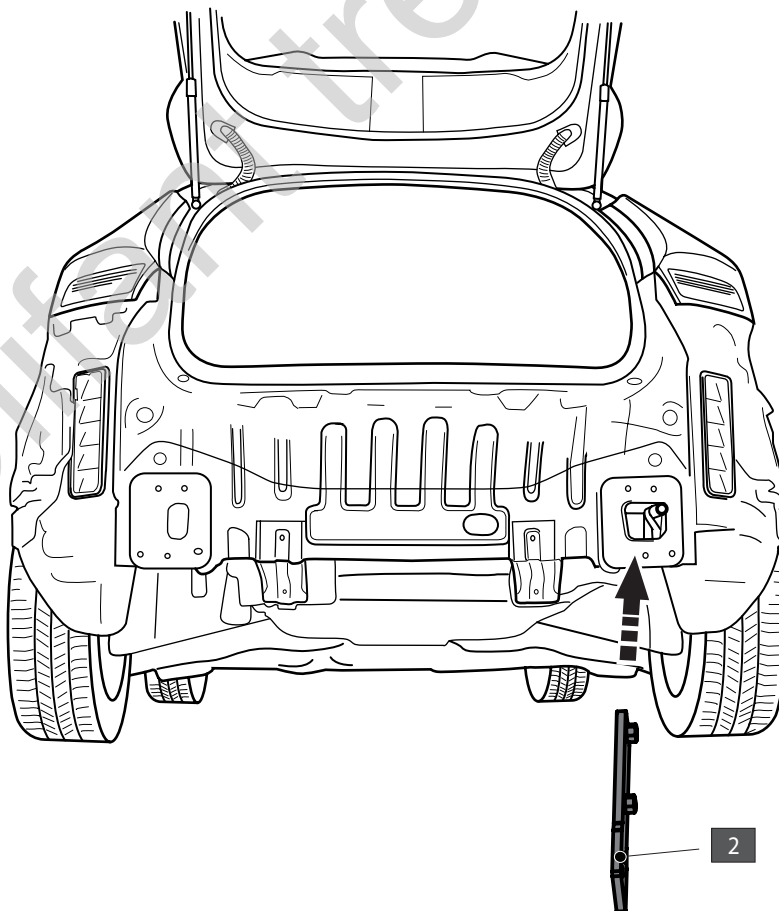
7

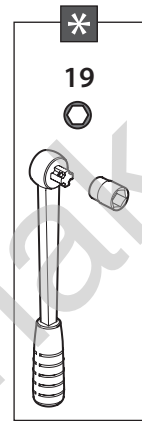
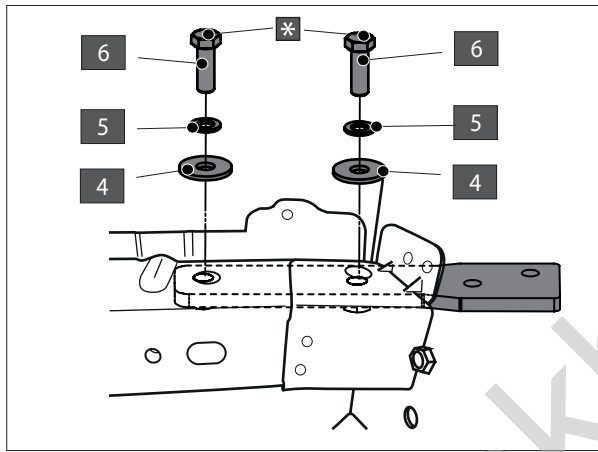
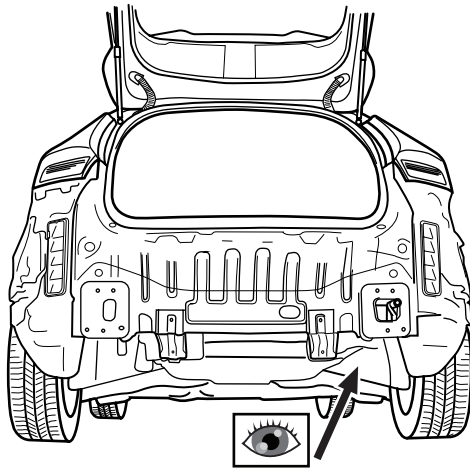
ONLY FOR V40

*

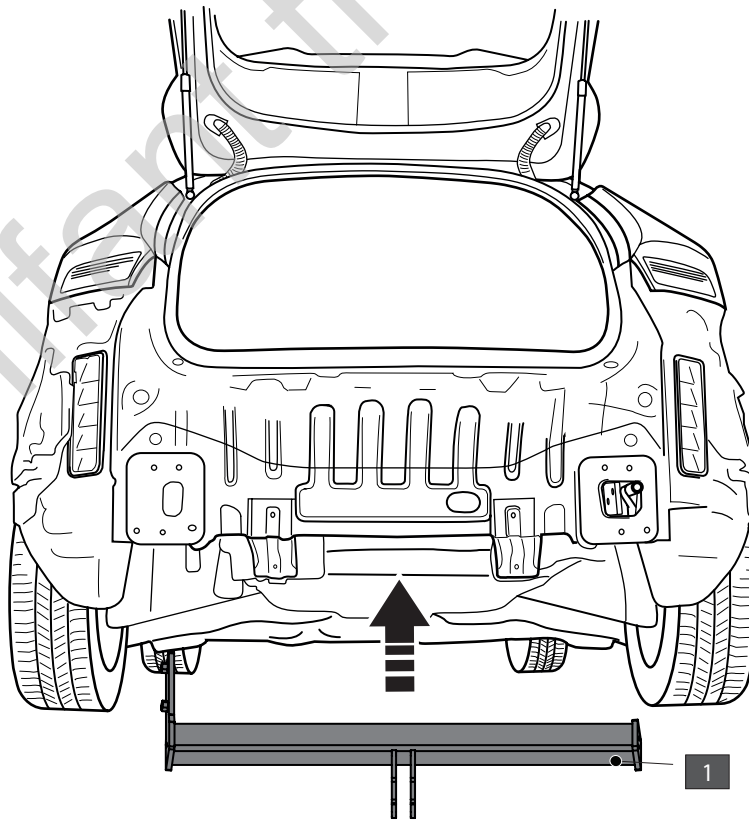


8

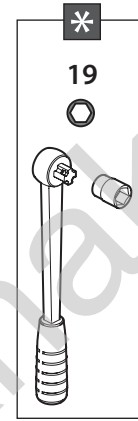
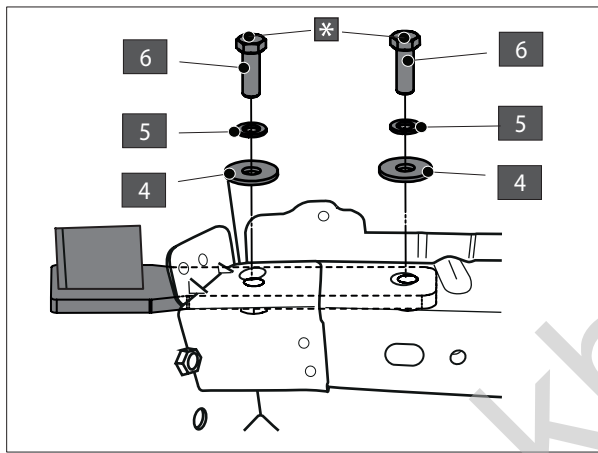
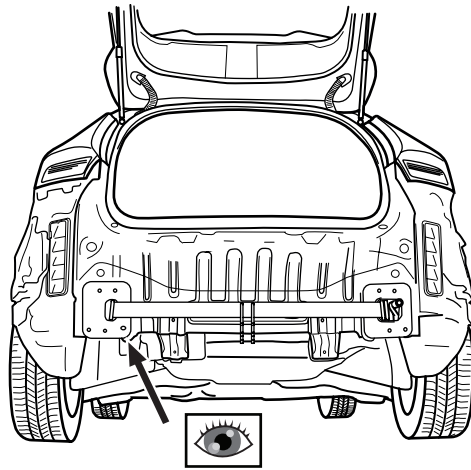




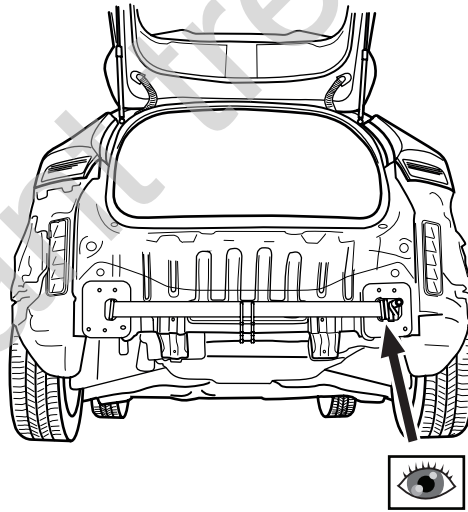
93,0 Nm



11



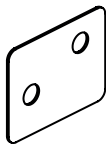
12



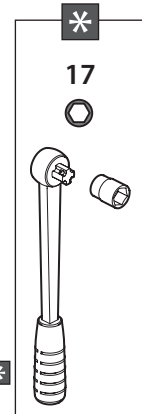
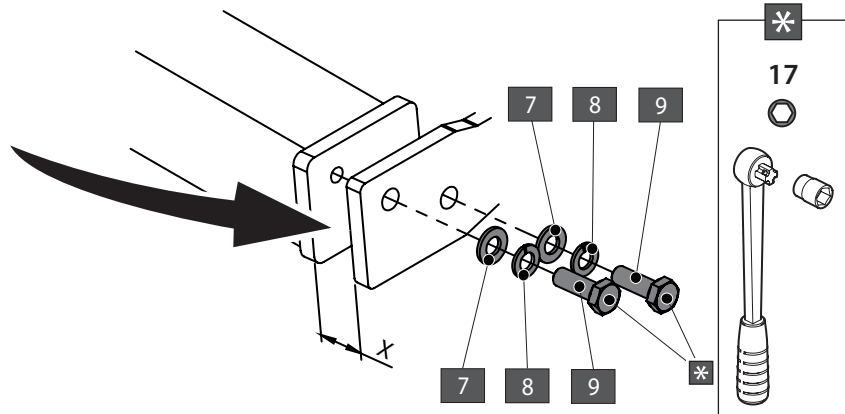
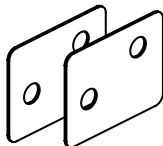
X = 0 mm

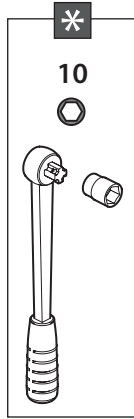


X > 1,5 mm

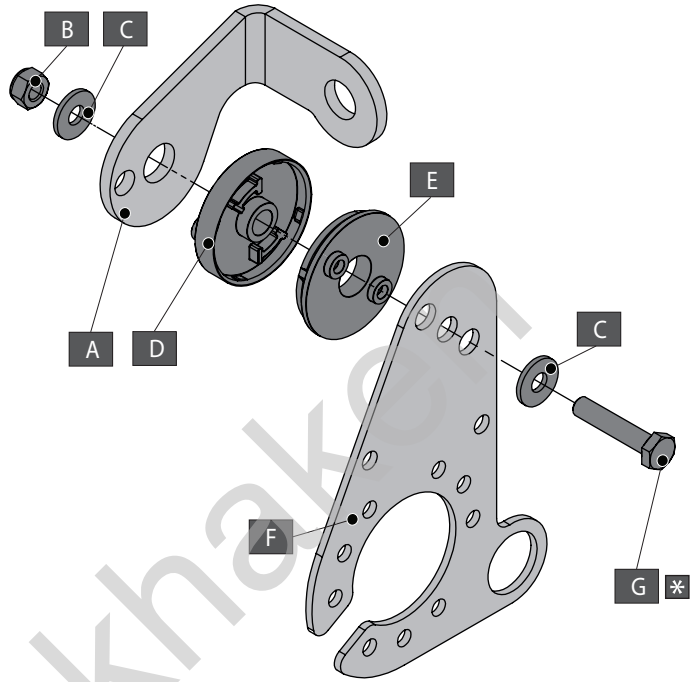


X > 3 mm

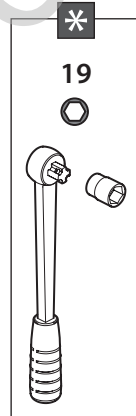
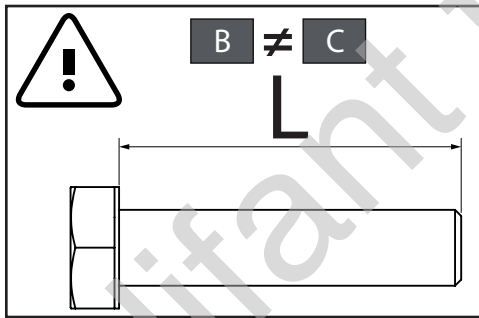




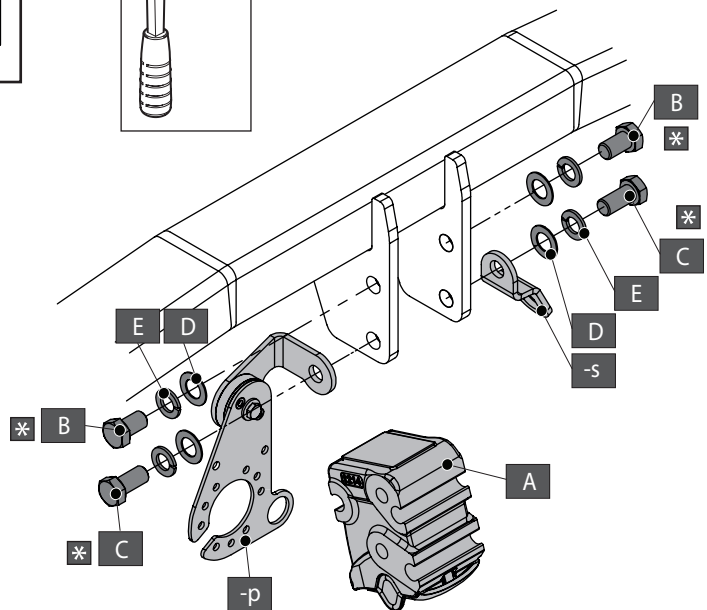
2,0 Nm



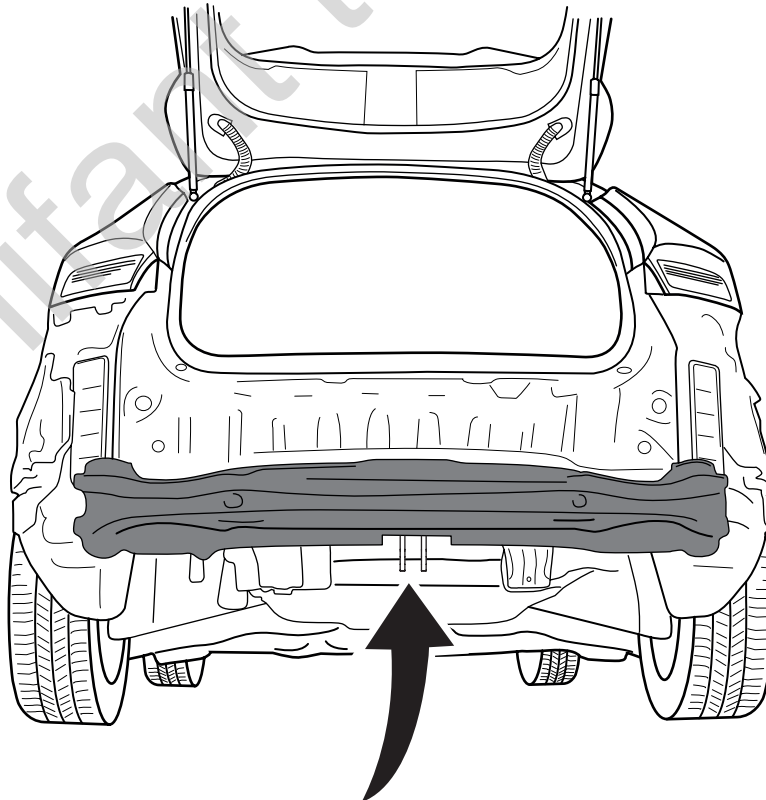
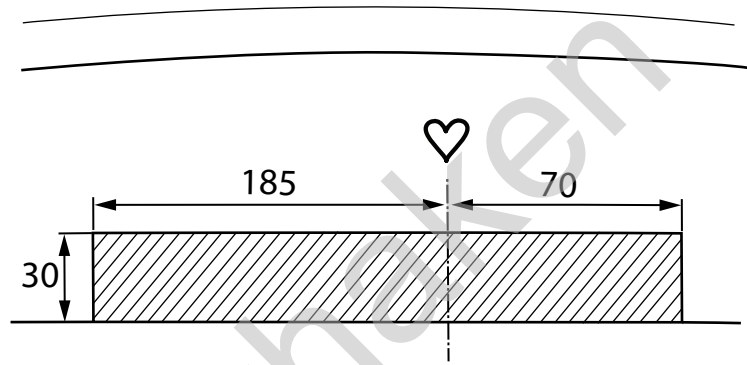
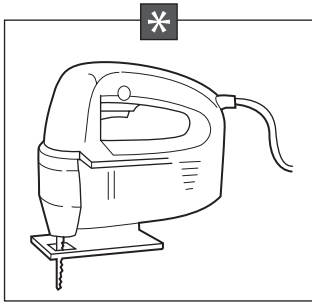
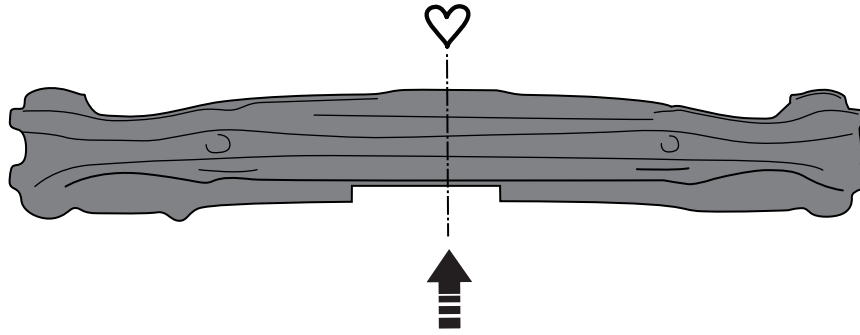
A		X1	GDW REF. 10
B		X1	DIN985-M6
C		X2	6,2 X 15,4 X 1,6 (NYLON)
D		X1	GDW REF. 718.16.002
E		X1	GDW REF. 718.16.003
F		X1	GDW REF. 908.094
G		X1	DIN933-M6 X 30



85,0 Nm

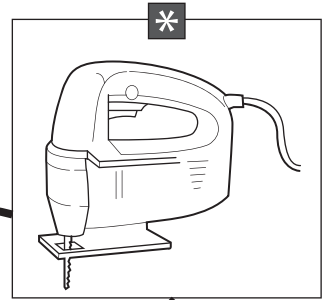
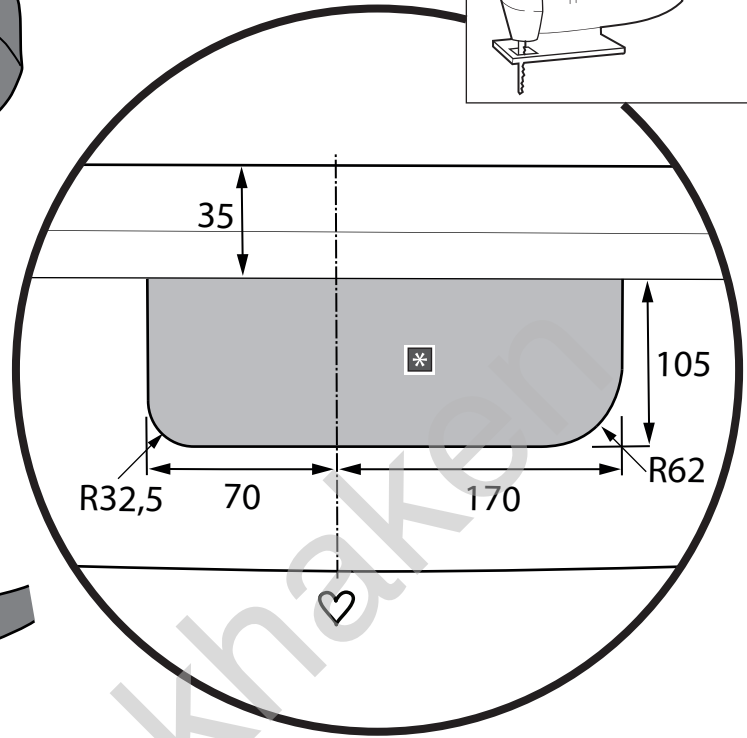
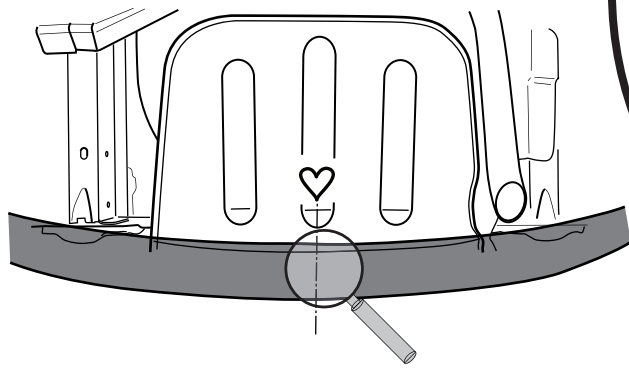
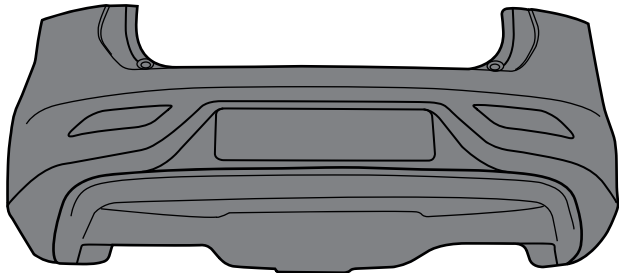


A		X1	912.003
B		X2	DIN933-M12 X 20
C		X2	DIN933-M12 X 25
D		X4	Ø 14 X 24 X 1
E		X4	DIN128A-M12



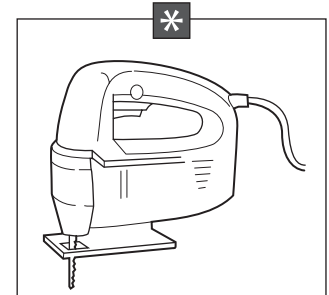
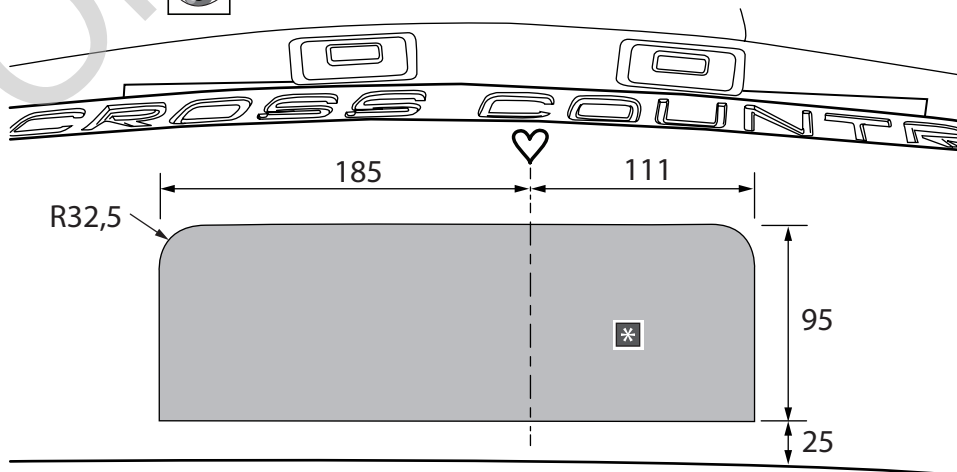
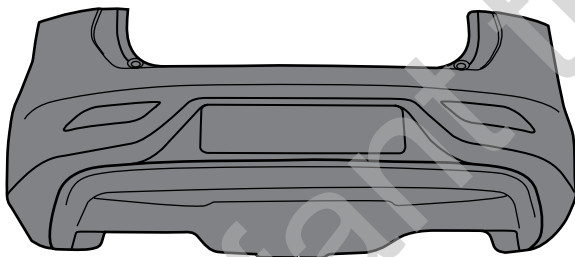
17

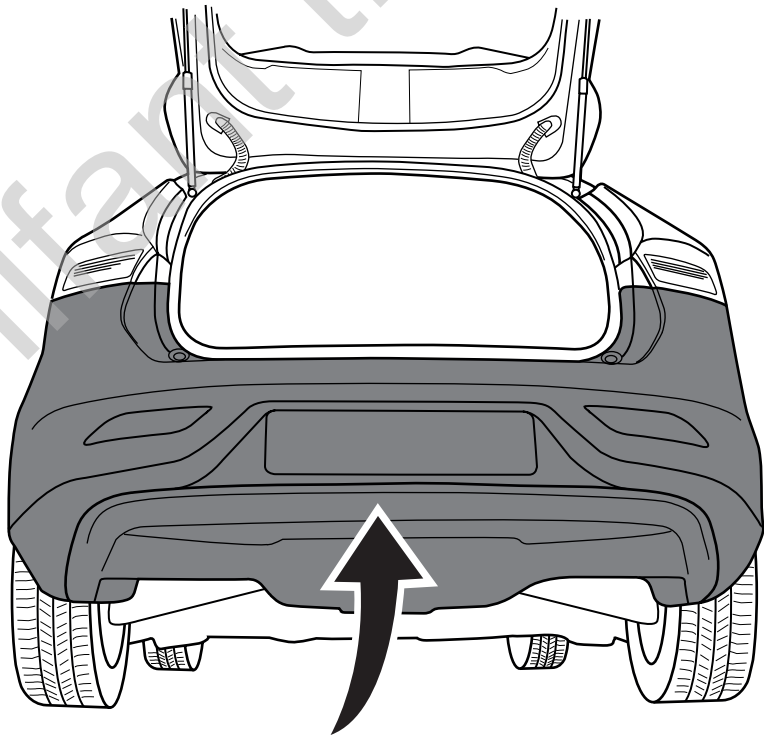
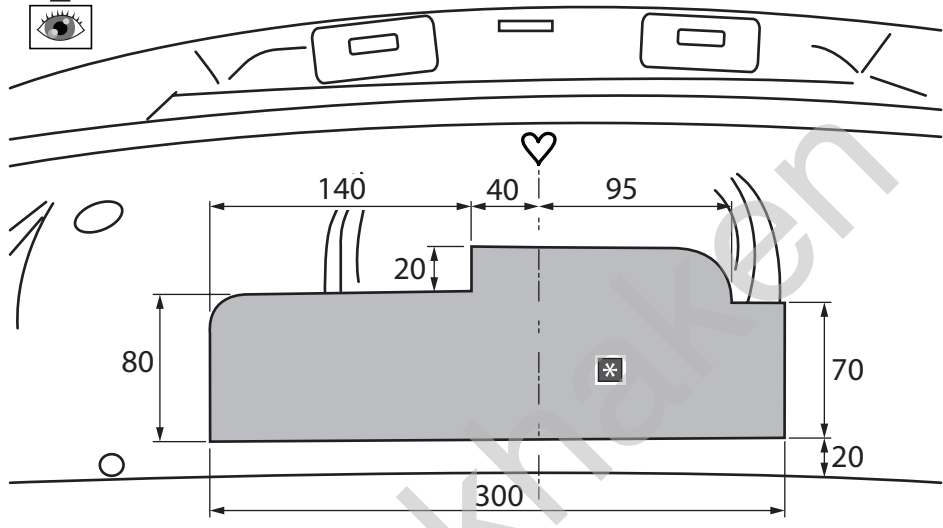
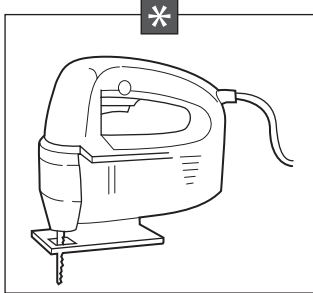
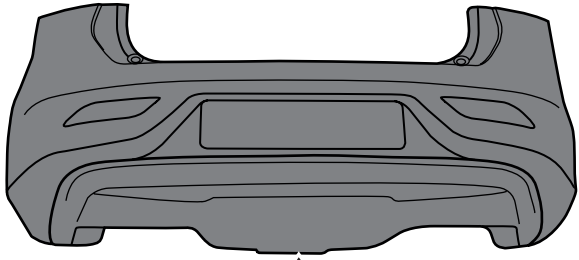
ONLY FOR V40

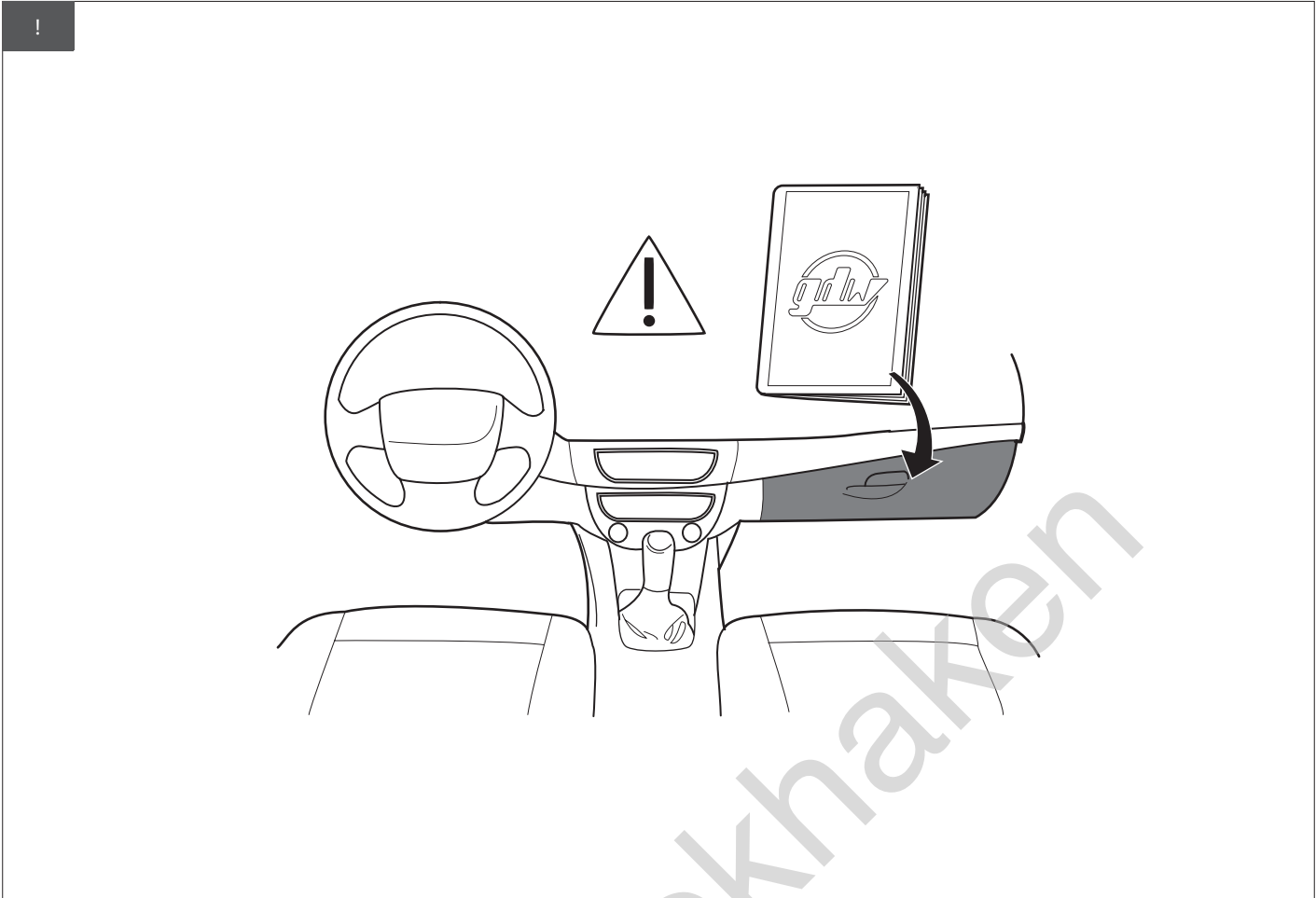


18

ONLY FOR V40 CROSS COUNTRY







Olifant trekhaken