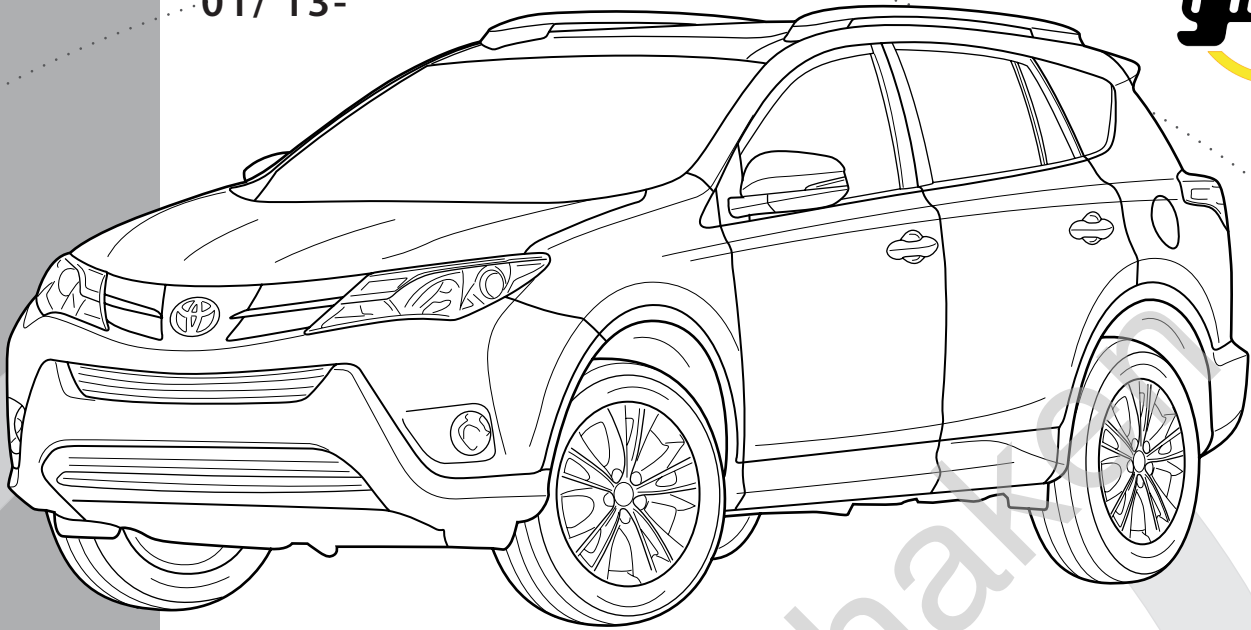




TREKHAKEN • ATTELAGES • ANHÄNGERVORRICHTUNGEN • TOWBARS • ENHANCES • ANHÆNGERTRÆK
Montagehandleiding | instructions de montage | Einbauanleitung | Mounting instruction
Instrucciones de montaje | monteringsvejledning

Toyota RAV4 01/'13-

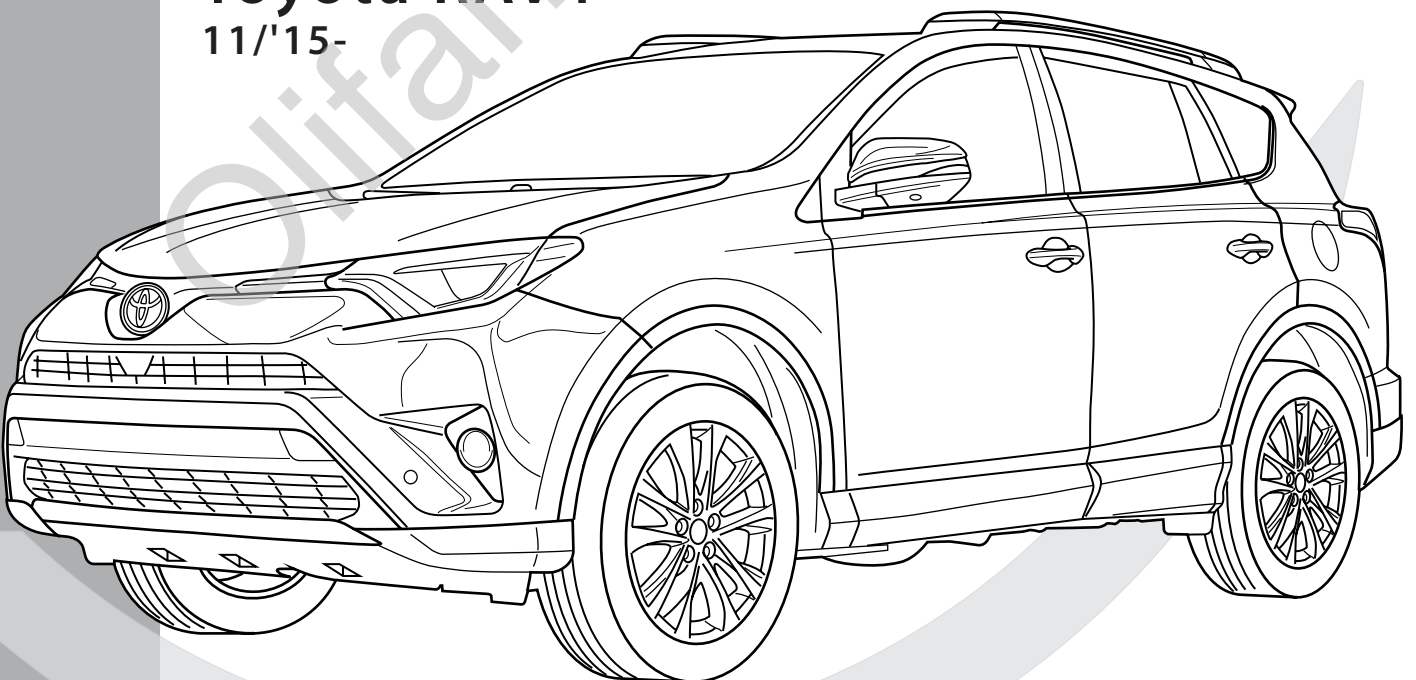


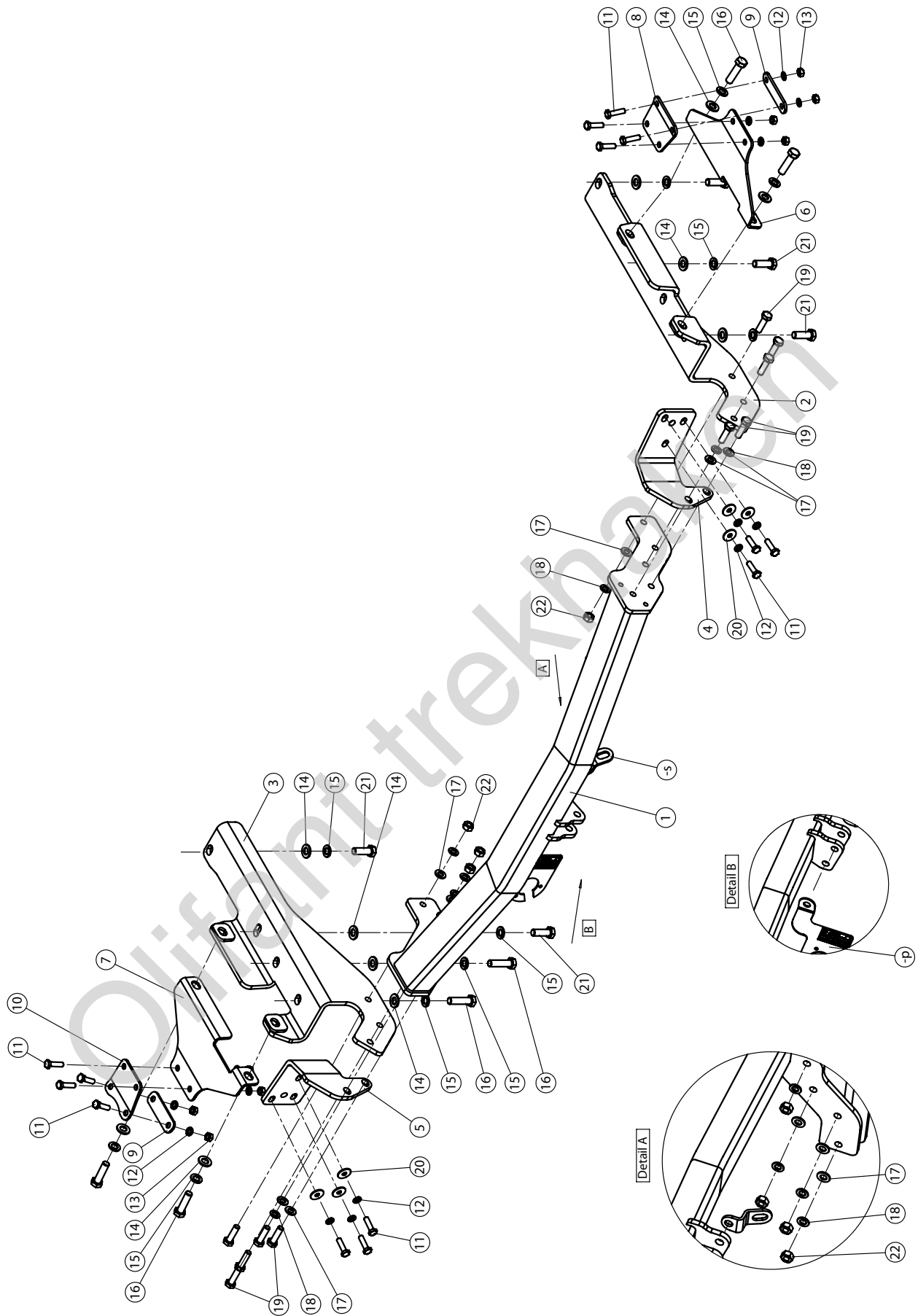
HYBRID

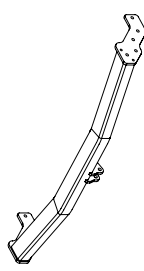
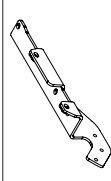
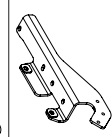


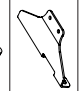

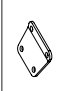
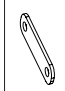
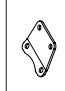
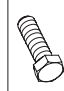
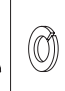
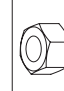
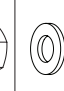
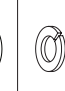




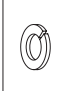
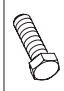
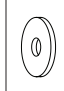
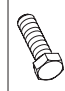
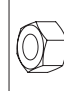
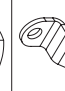

KICK SENSOR (HANDSFREE TAILGATE)

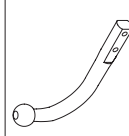
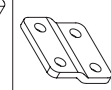

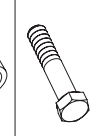
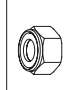
Toyota RAV4 11/'15-



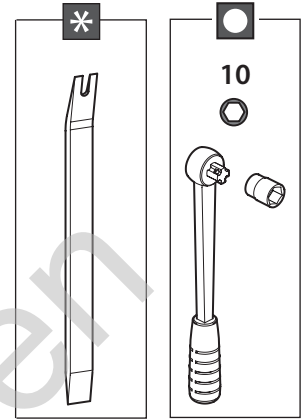
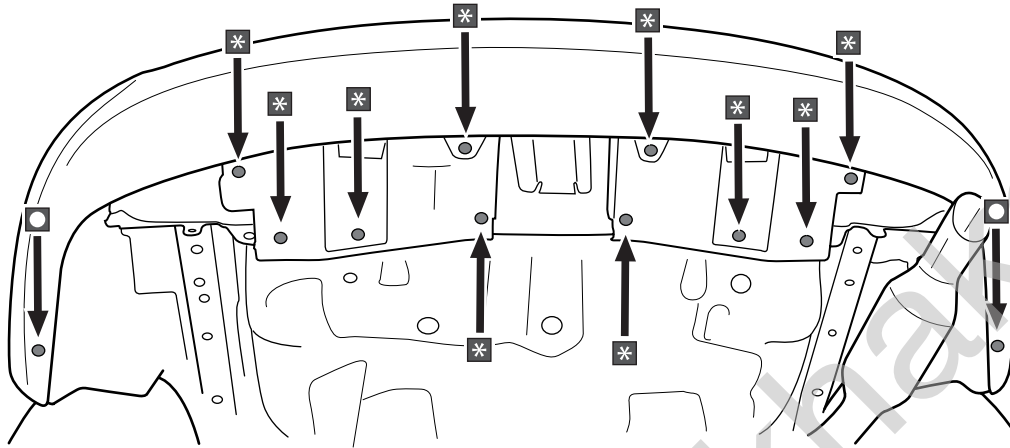
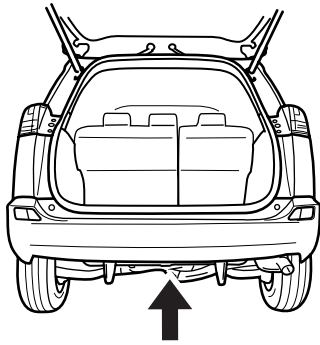


1		X1	GDW REF. 1955
2		X1	GDW REF. 2
3		X1	GDW REF. 3
4		X1	GDW REF. 4
5		X1	GDW REF. 5
6		X1	GDW REF. 6
7		X1	GDW REF. 7
8		X1	GDW REF. 8
9		X2	GDW REF. 9
10		X1	GDW REF. 10
11		X14	DIN933-M8X30
12		X14	DIN128A-M8
13		X8	DIN934-M8
14		X11	DIN125A-M12-ELVZ
15		X11	DIN128A-M12

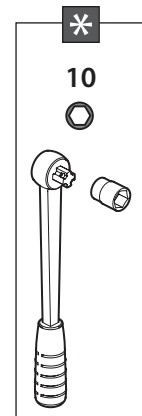
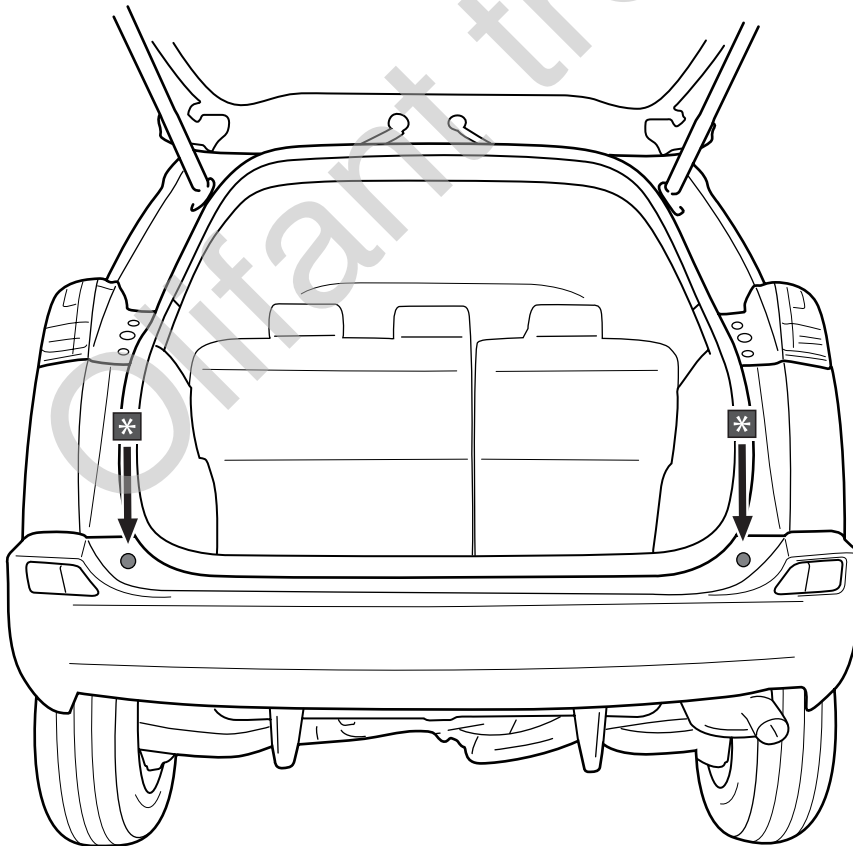
16		X6	DIN961-M12X45X1.25
17		X10	DIN125A-M10-ELVZ
18		X10	DIN128A-M10
19		X10	DIN933-M10X35
20		X6	DIN9021-Mo8 (ø25X8,4X2)
21		X5	DIN961-M12X35X1.25
22		X8	DIN934-M10
-S		X1	GDW REF. 900.053
-P		X1	GDW REF. P04

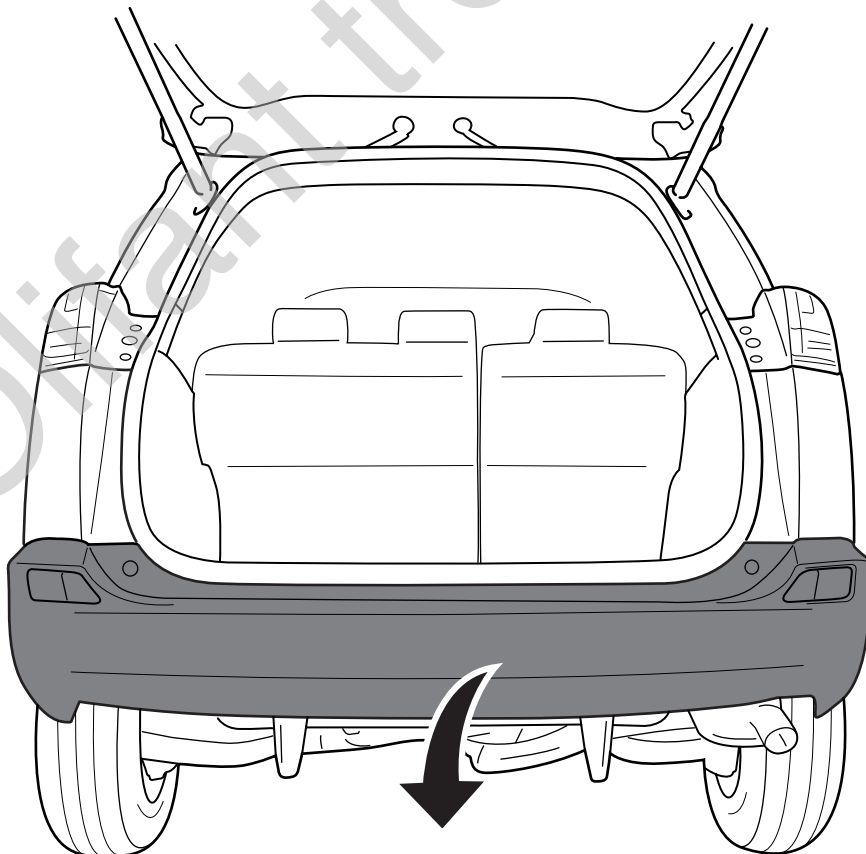
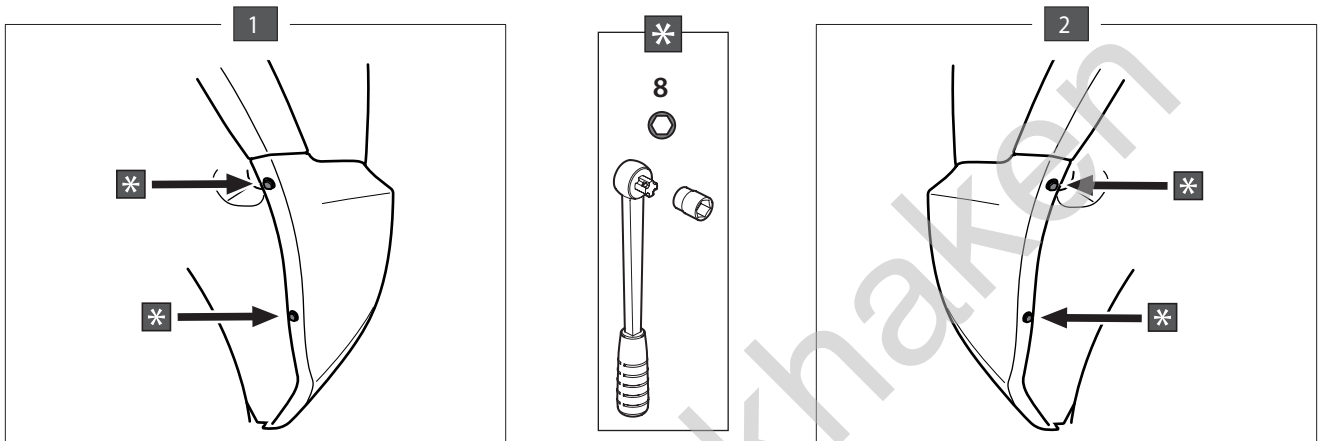
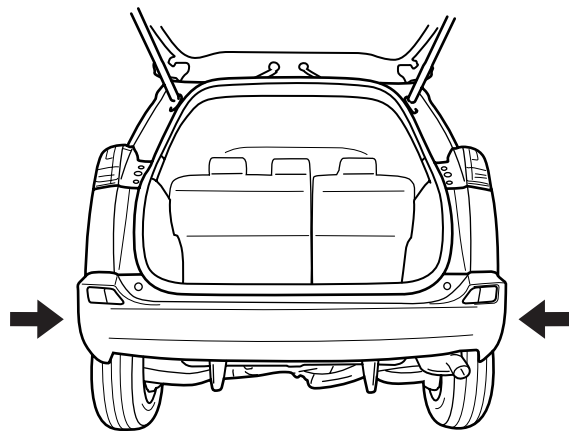
Geleverd met - Livré avec - Delivered with Geliefert mit - Elementos adjuntos - Leverages med		X1	944-K008
		X2	GDW REF. 900.008
		X2	GDW REF. 900.011 Ø 21.3 X 11.7
		X4	DIN931-M12 X 70
		X4	DIN985-M12

1

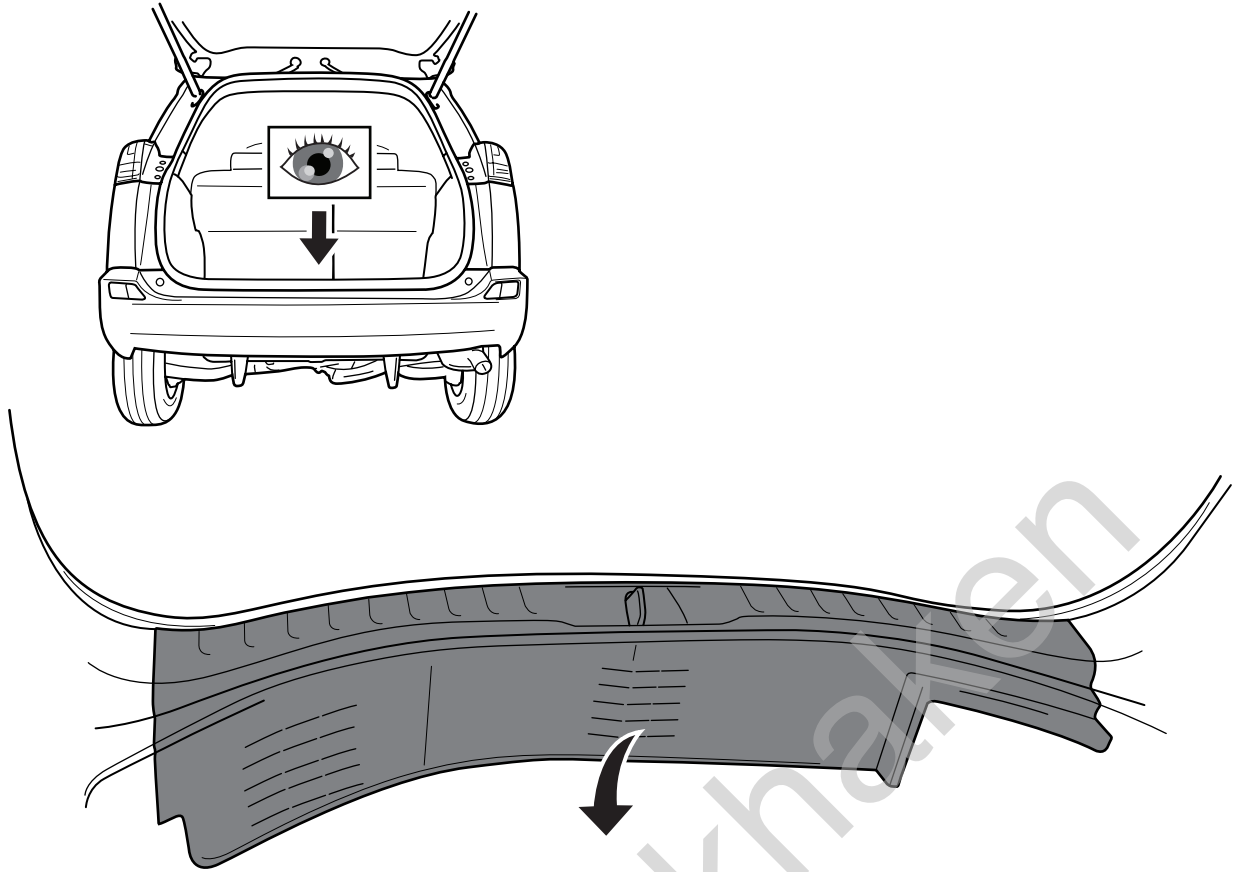


2

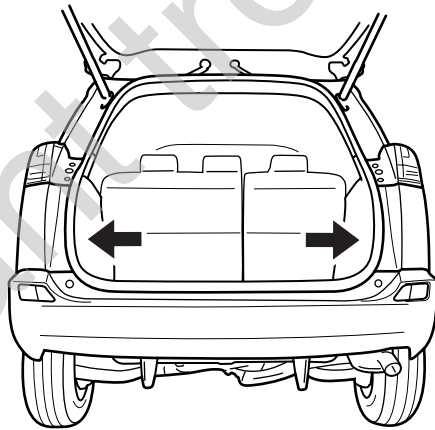




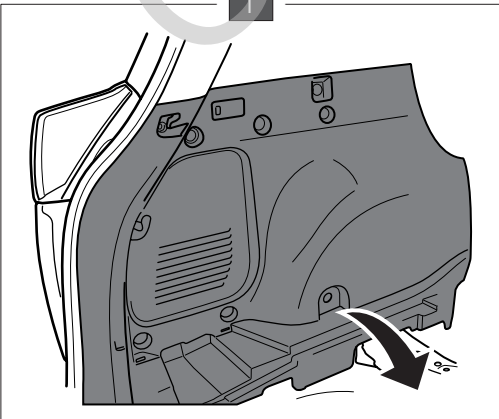
5



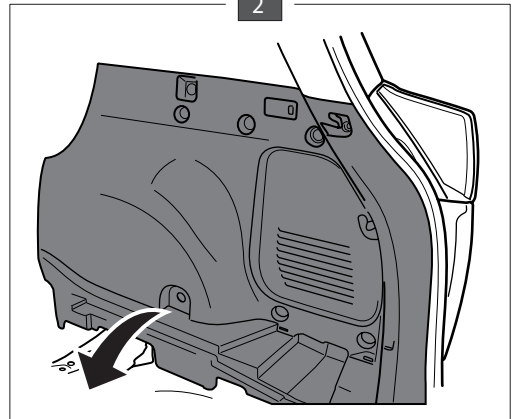
6

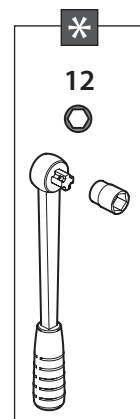
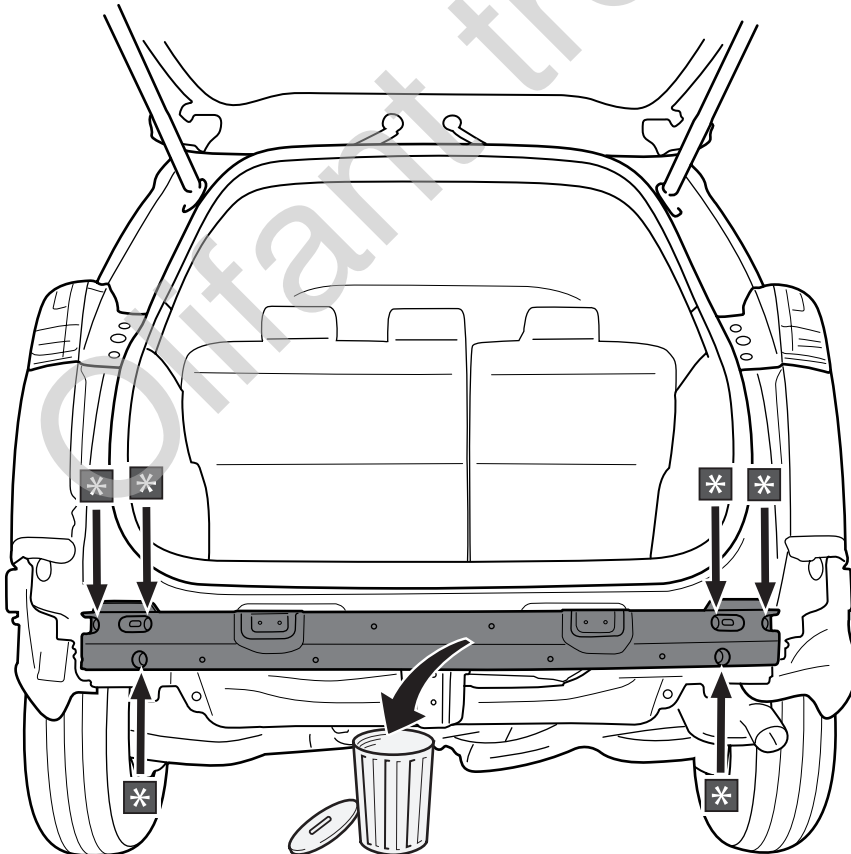
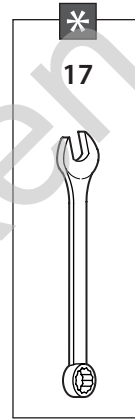
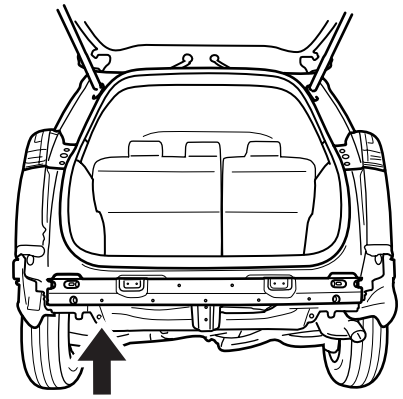
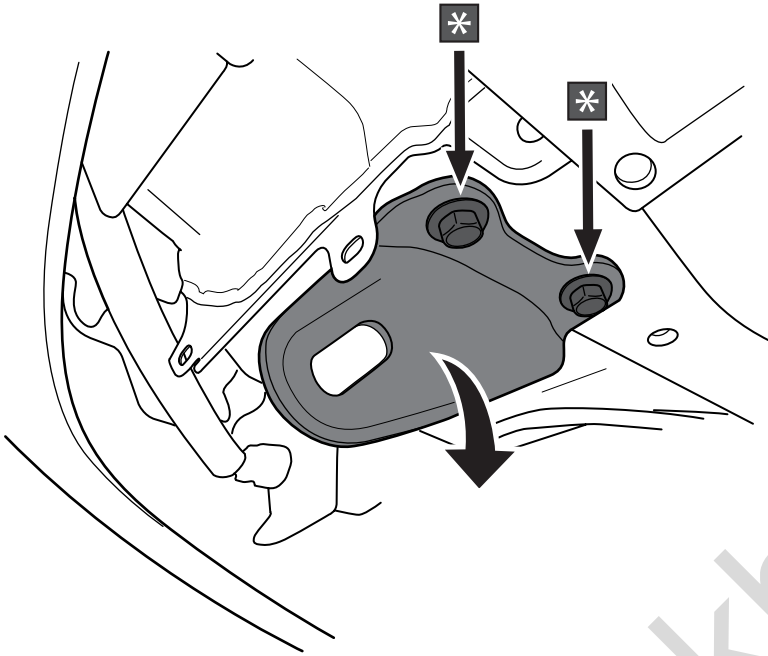


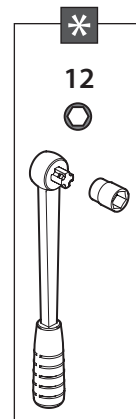
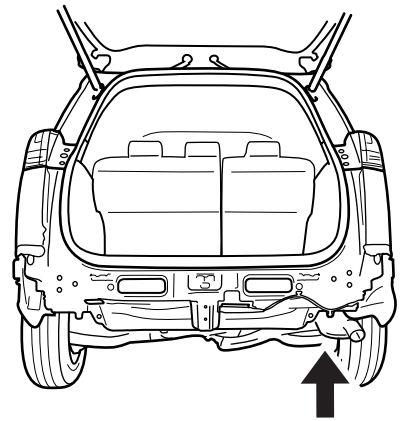
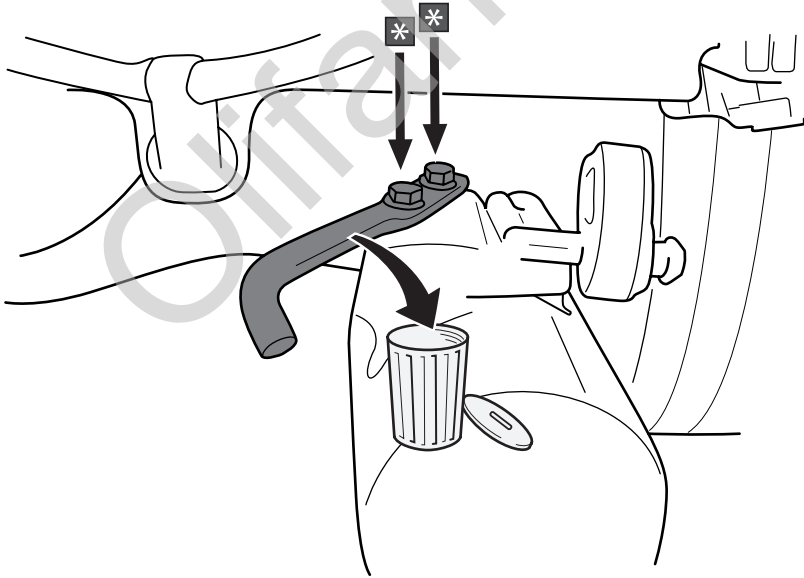
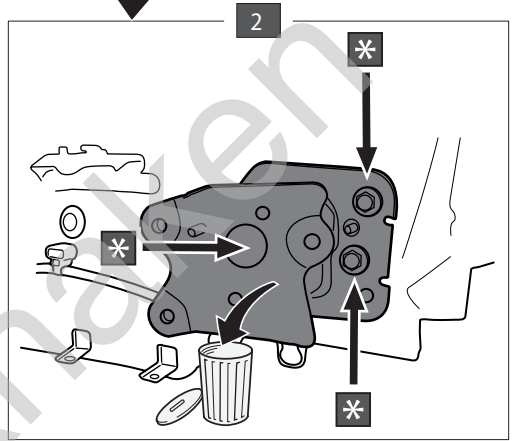
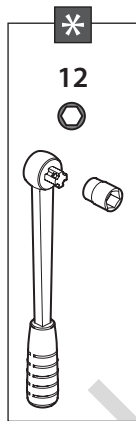
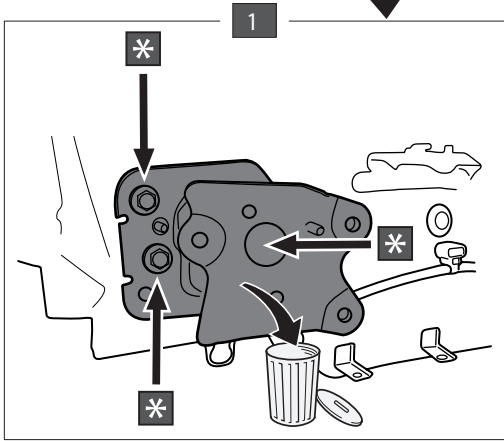
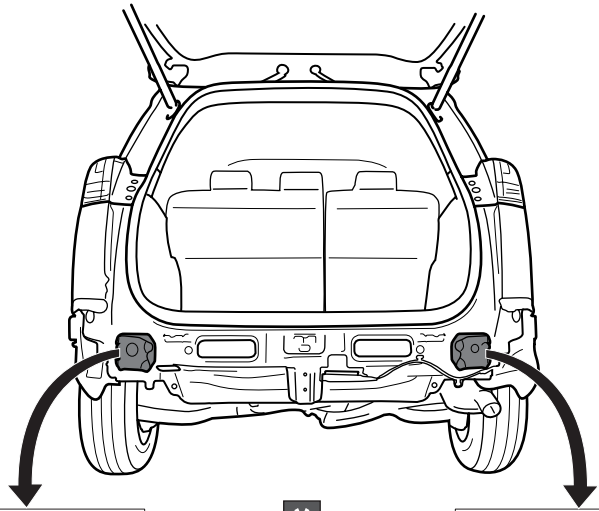
1

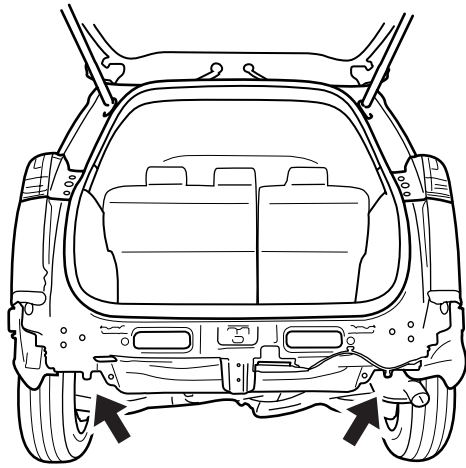


2

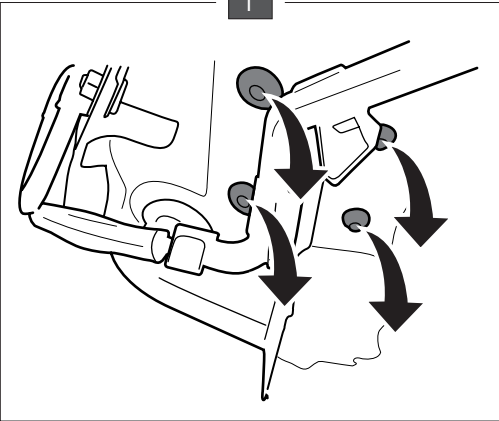




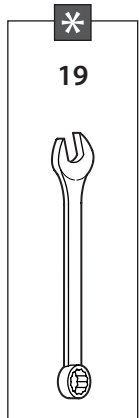
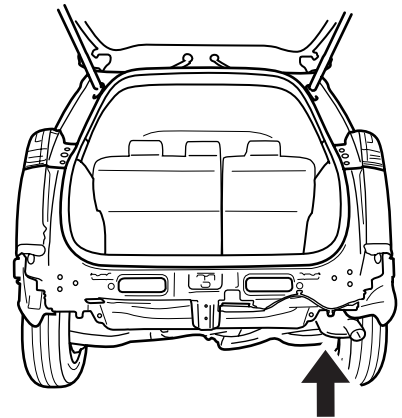
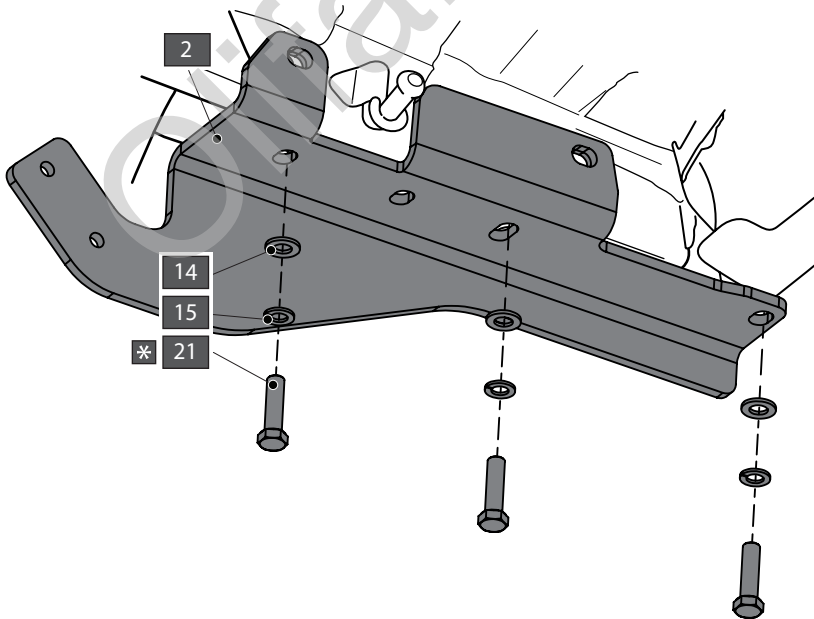
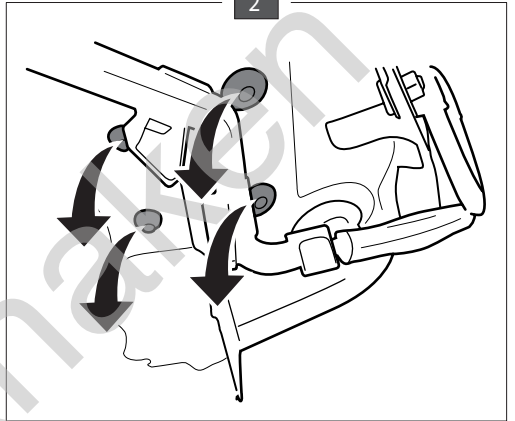


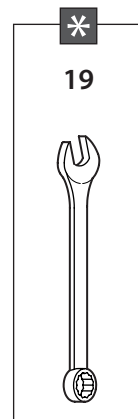
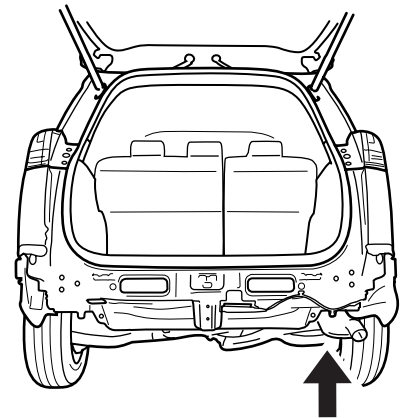
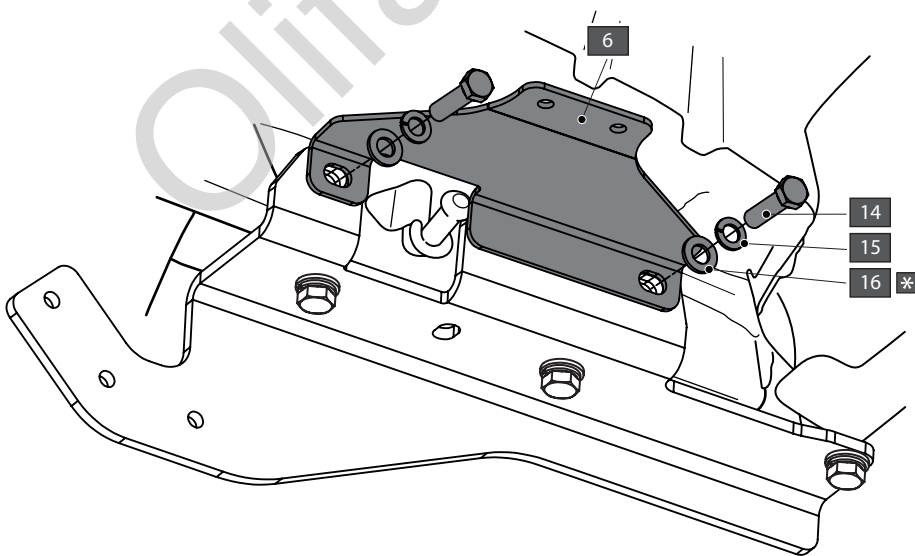
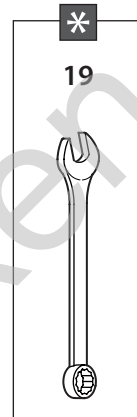
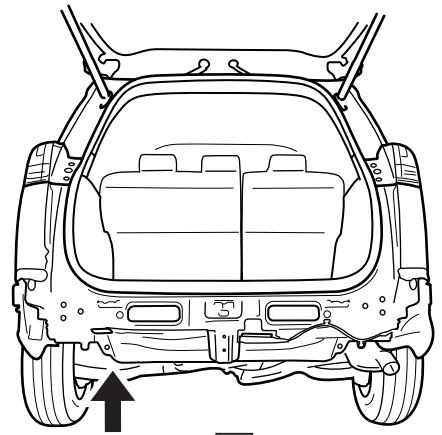
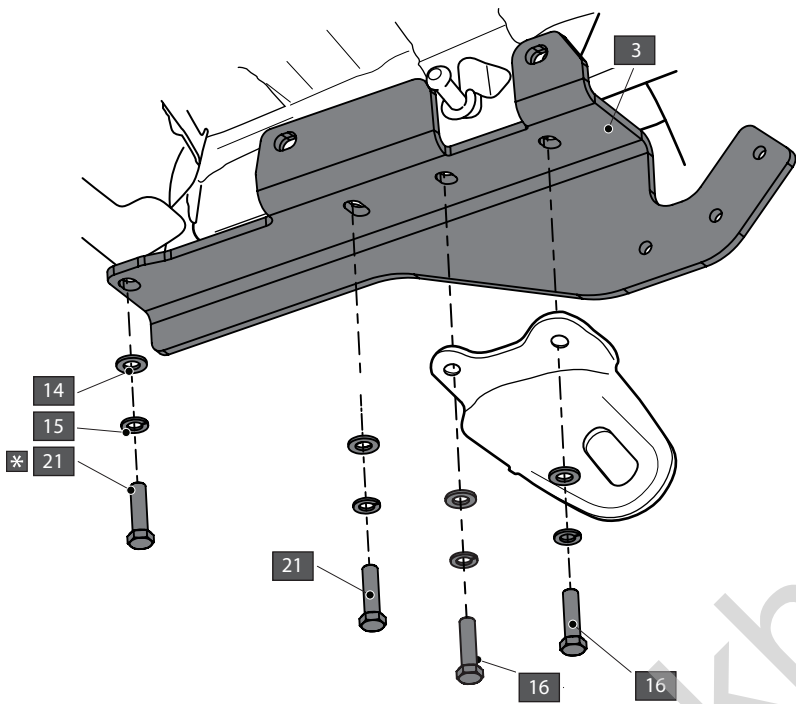


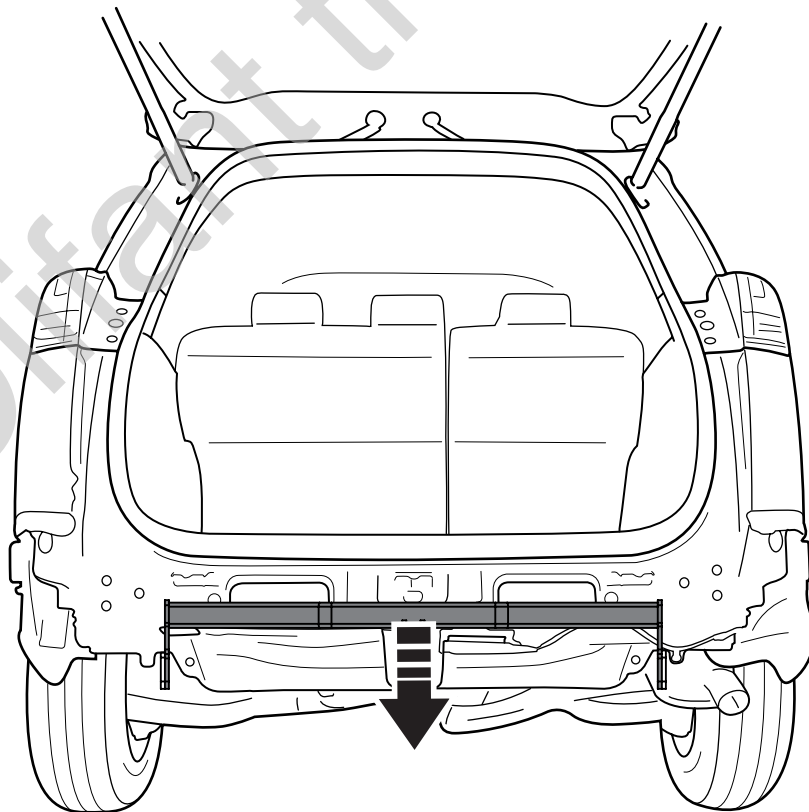
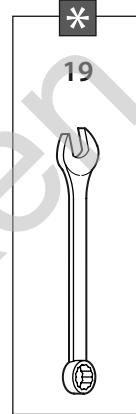
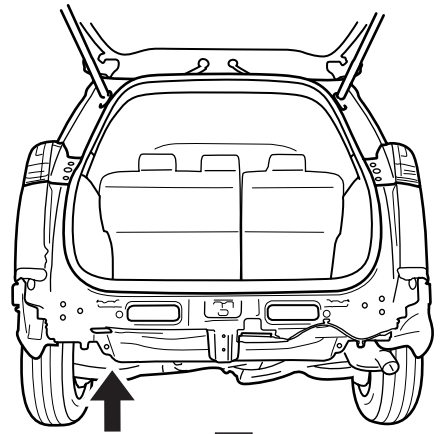
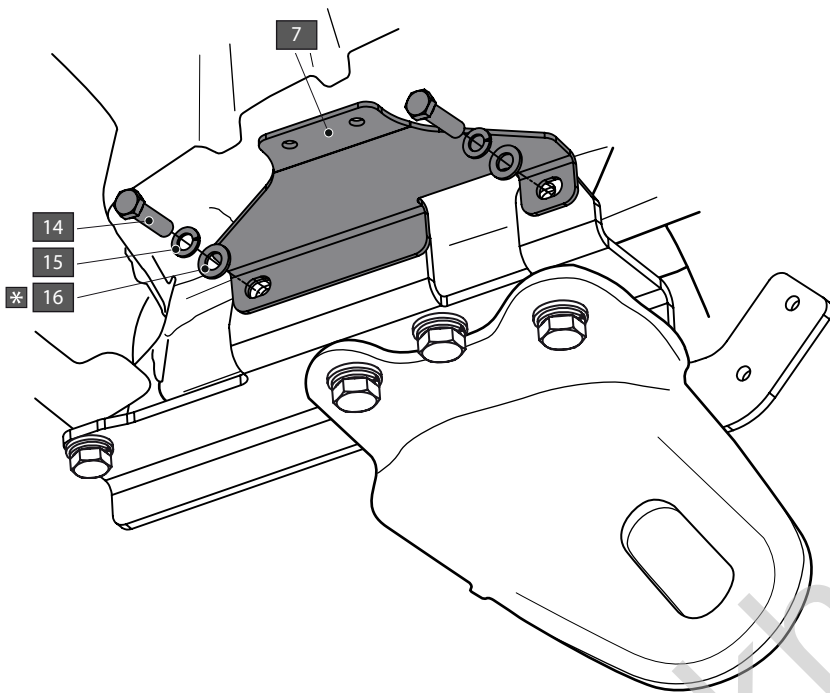
1

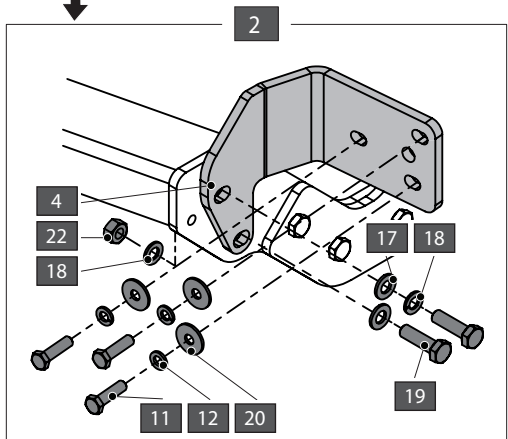
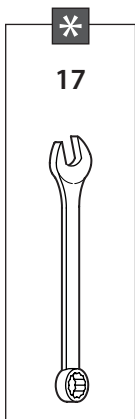
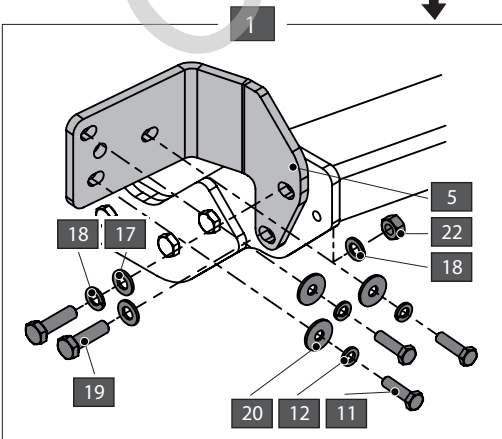
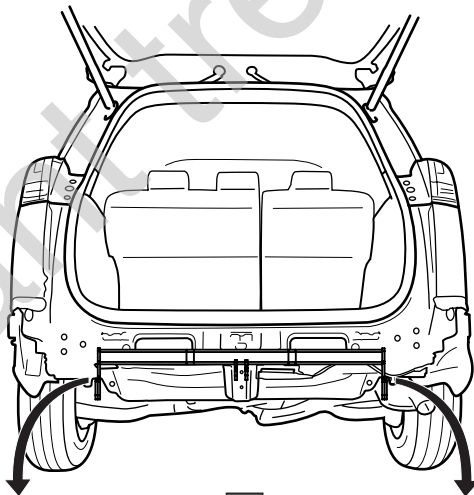
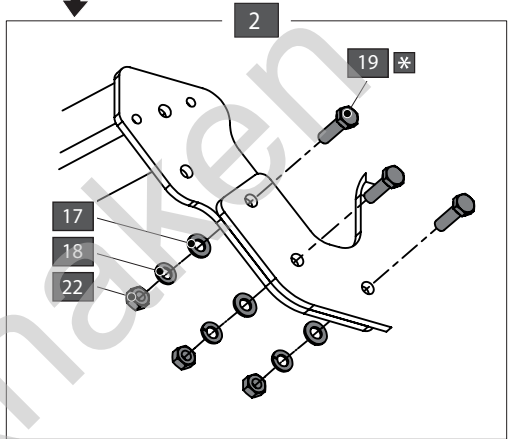
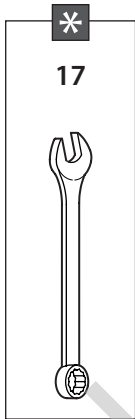
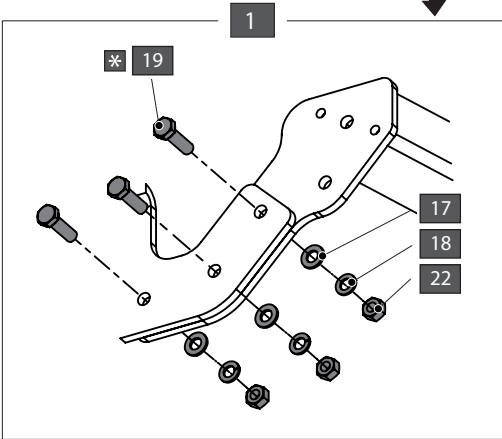
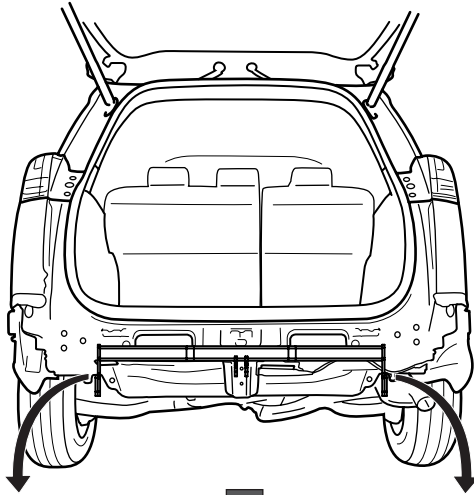


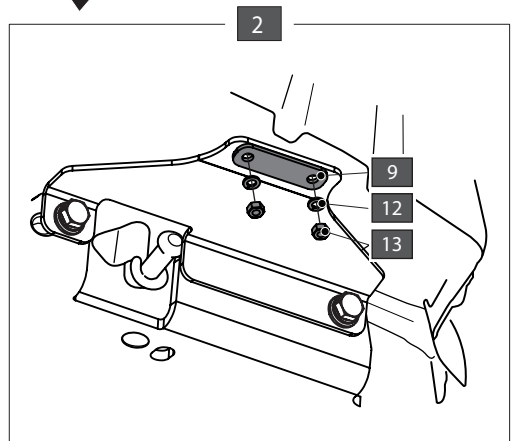
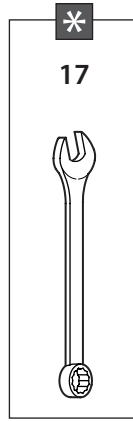
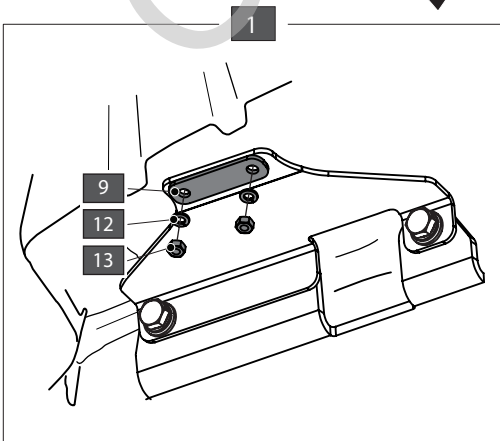
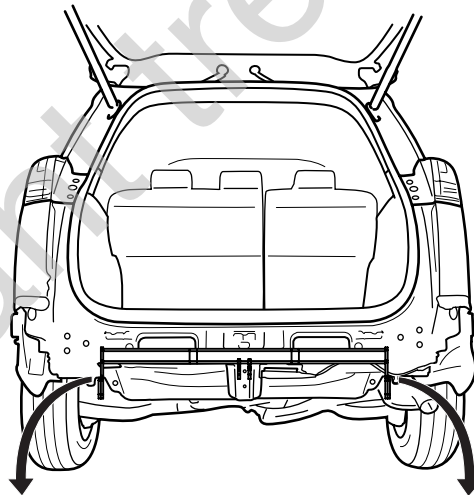
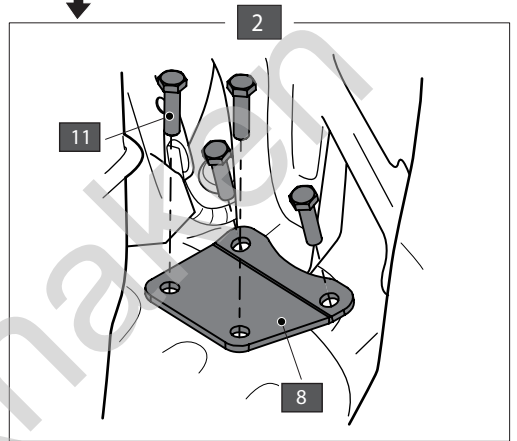
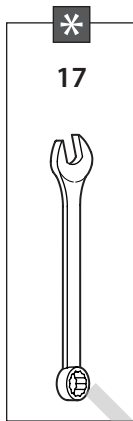
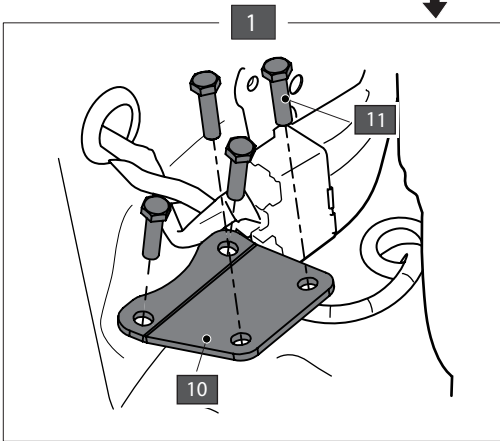
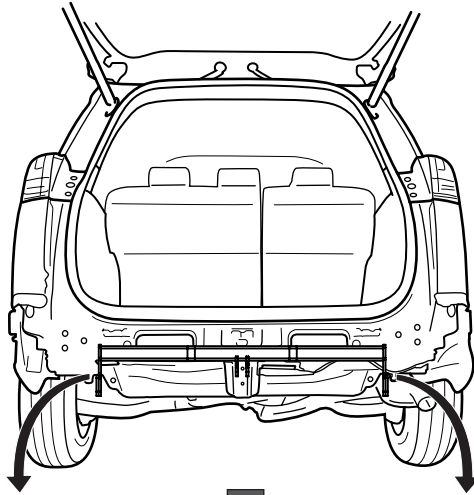
2

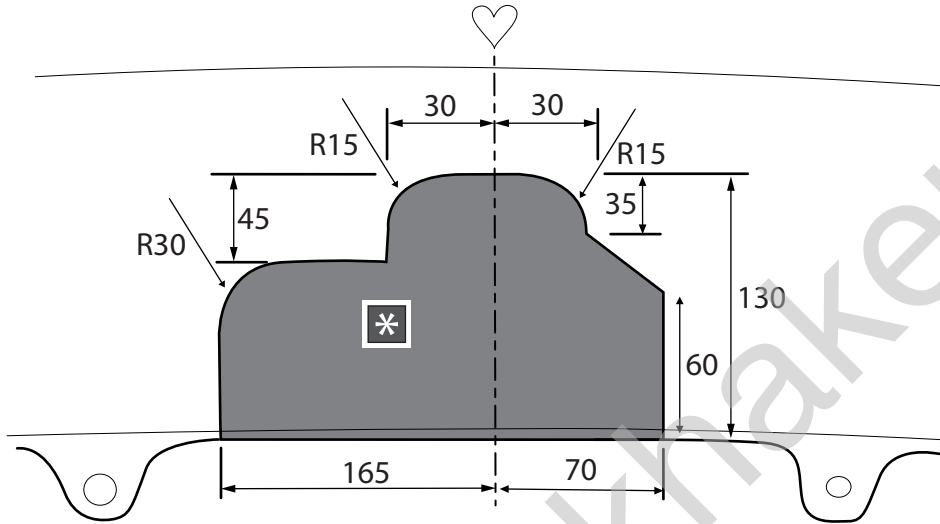
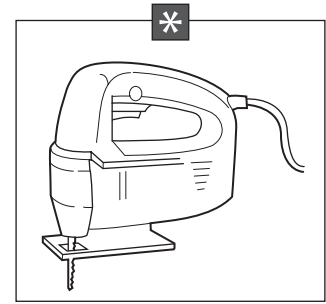
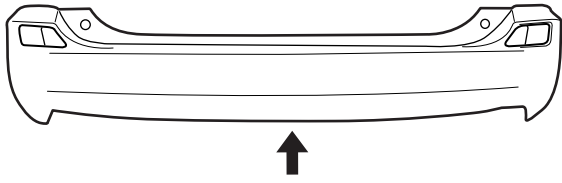




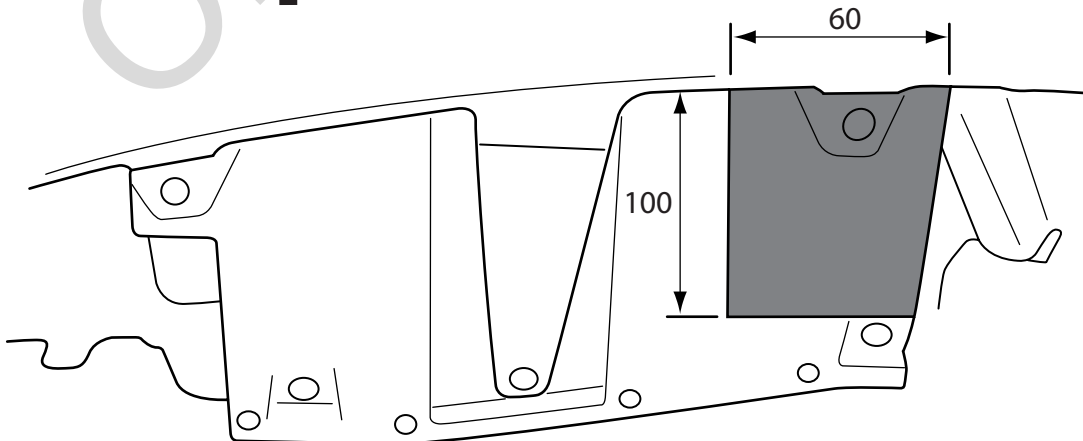
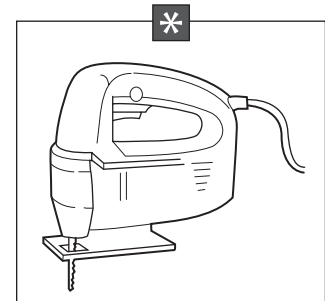
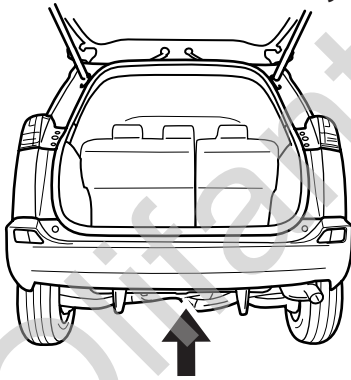




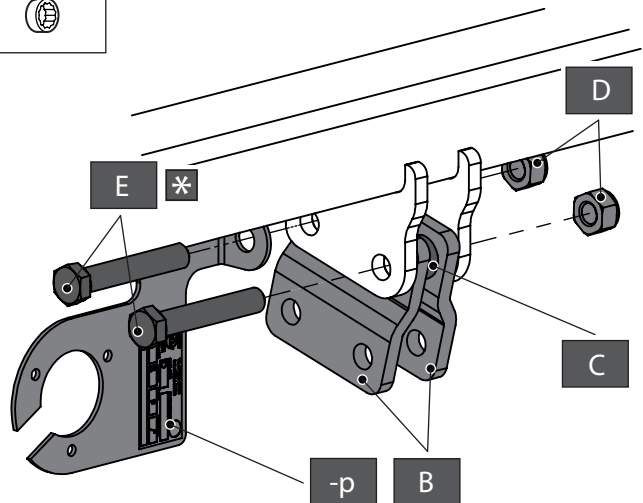
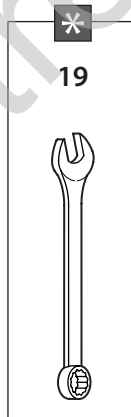
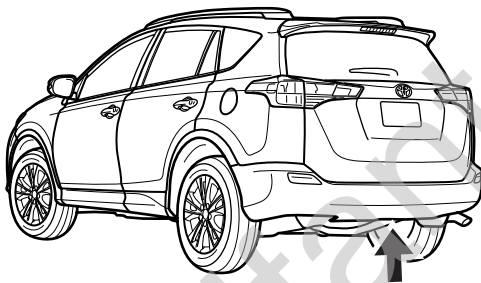
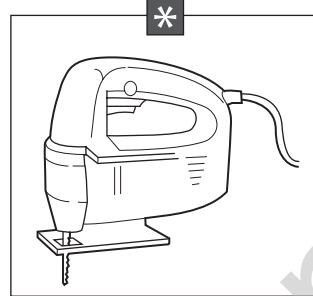
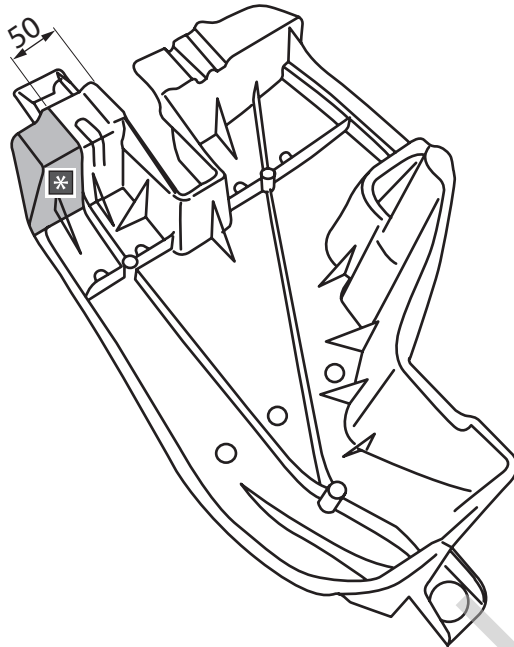


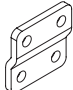


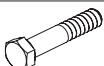


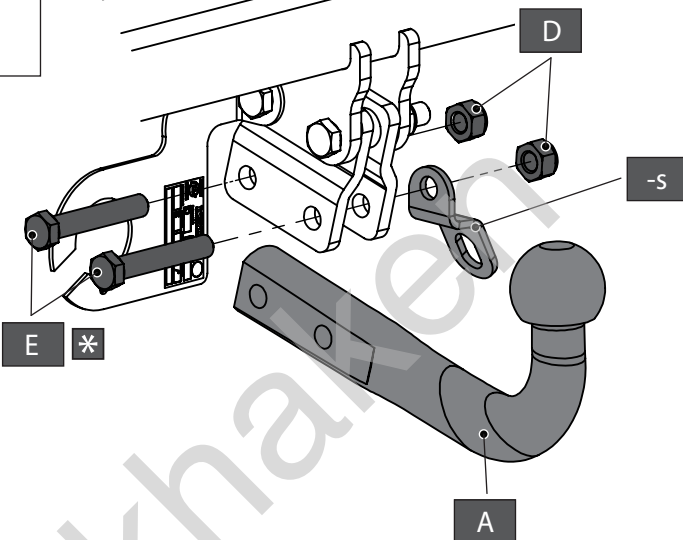
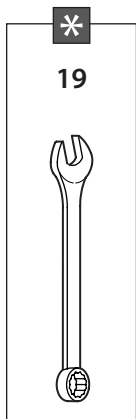
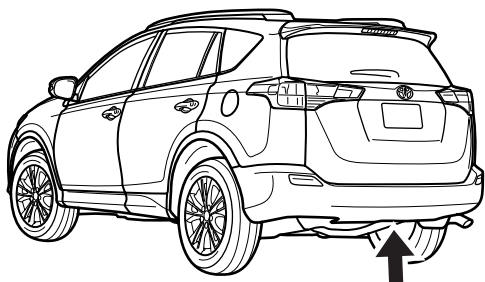
Toyota RAV4 01/'13 - 11/'15



Toyota RAV4 11'/15-

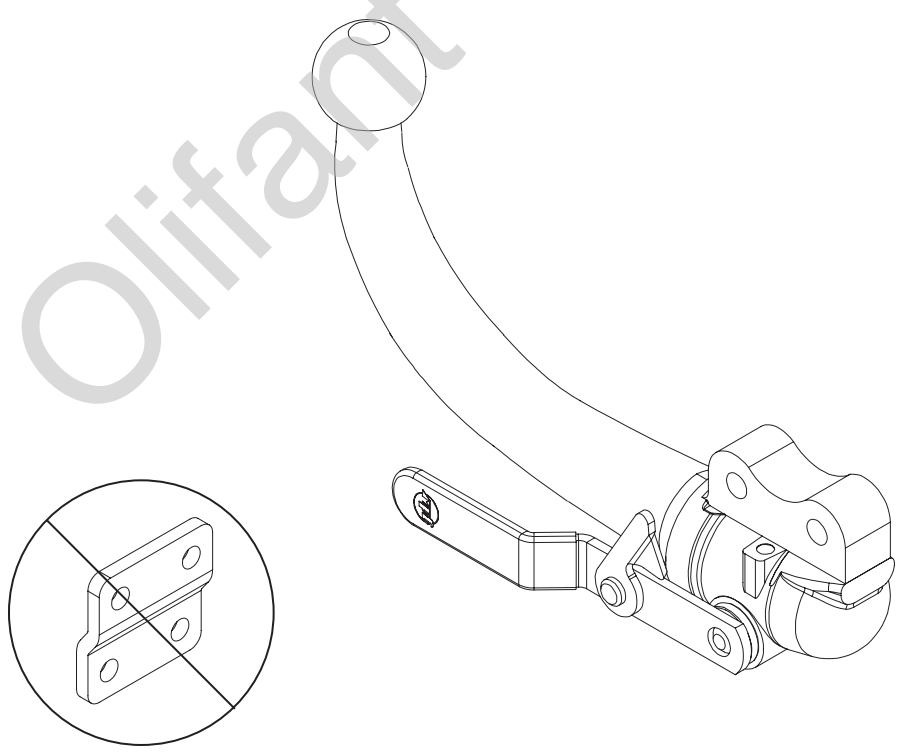


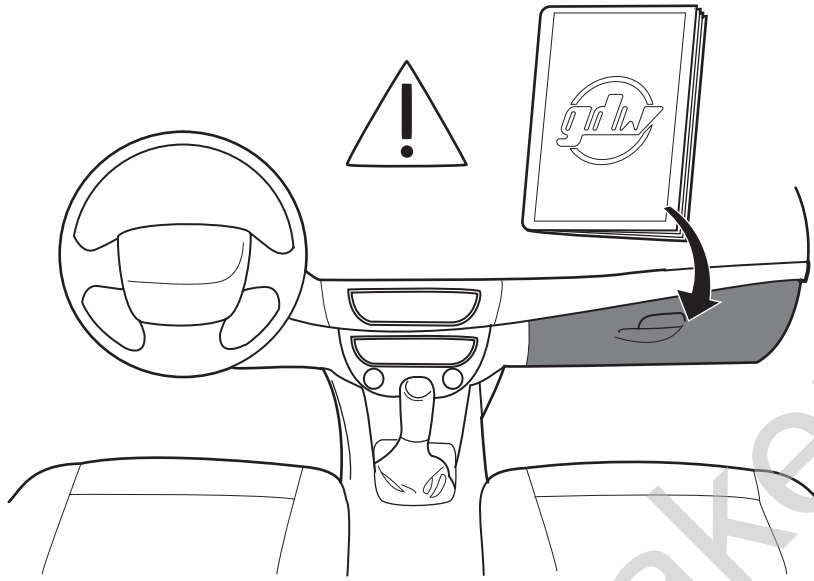
B		X2	GDW REF. 900.008
C		X2	GDW REF. 900.011 Ø 21.3 X 11.7
D		X2	DIN985-M12
E		X2	DIN931-M12 X 70



A		X1	944.K008
-S		X1	GDW REF. 900.053
D		X2	DIN985-M12
E		X2	DIN931-M12 X 70

AFN Opties - Options - Options - Optionen - Opciones - Muligheder





Olifant trekhaken