



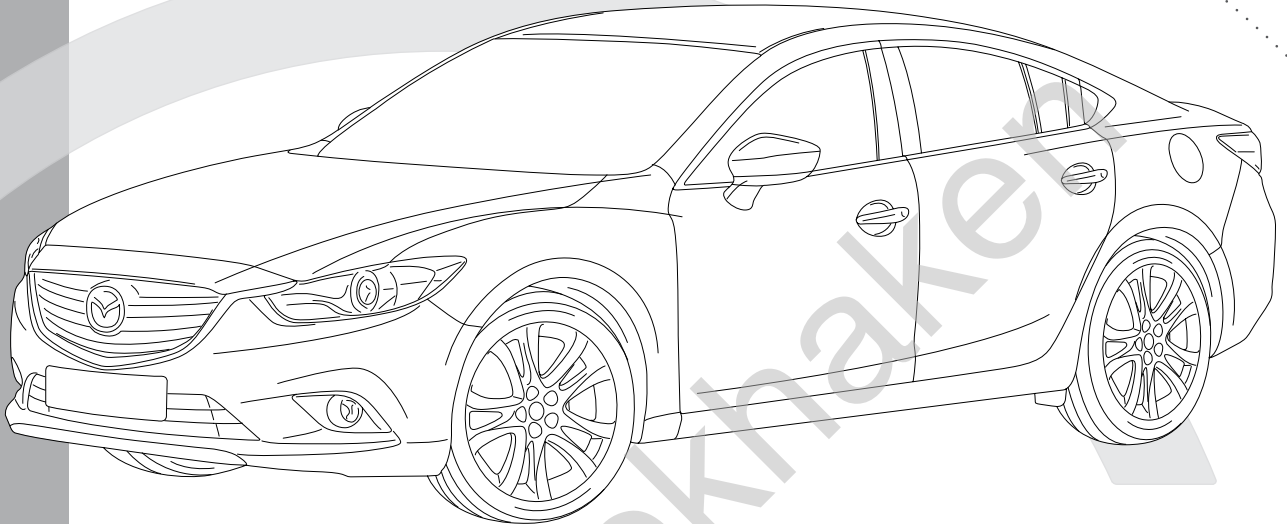
TREKHAKEN • ATTELAGES • ANHÄNGERVORRICHTUNGEN • TOWBARS • ENHANCES • ANHÆNGERTRÆK

Montagehandleiding | instructions de montage | Einbauanleitung | Mounting instruction
Instrucciones de montaje | monteringsvejledning



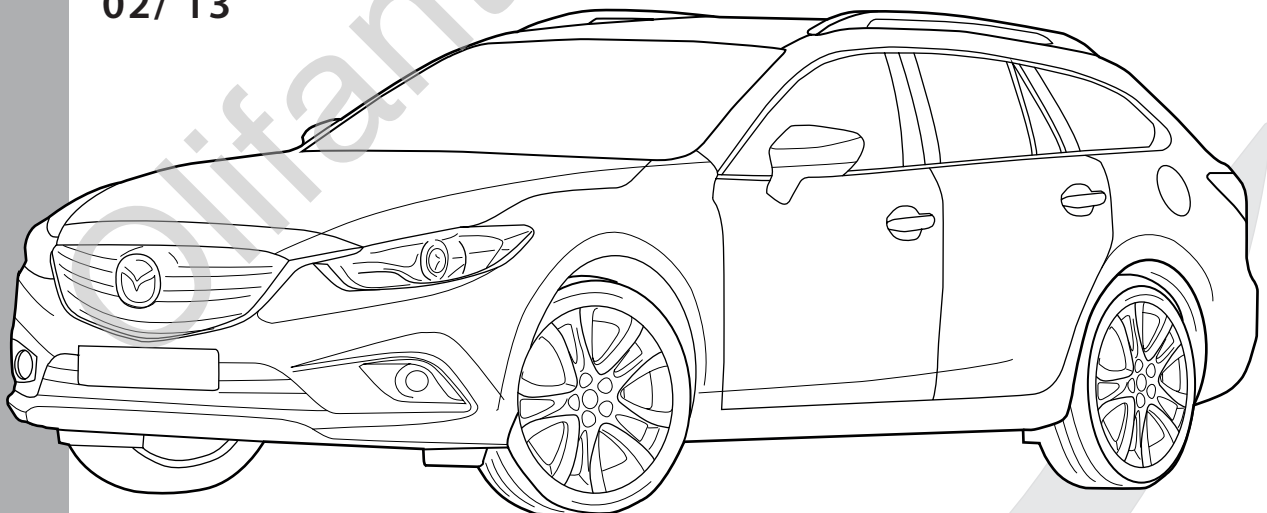
Mazda 6 4d.

'13-



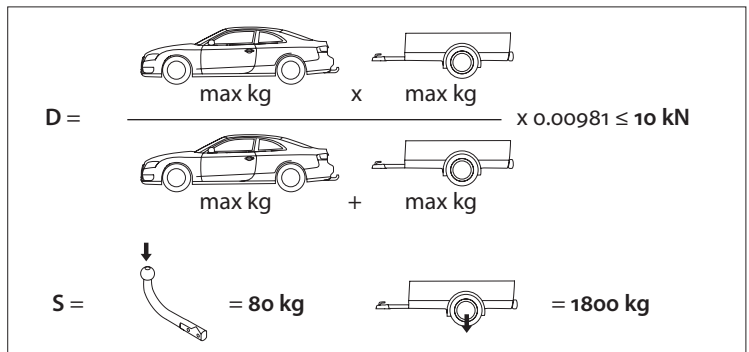
Mazda 6 Kombi

02/'13

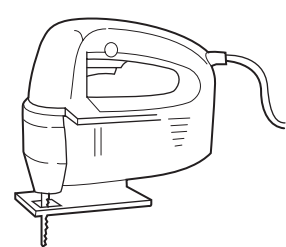
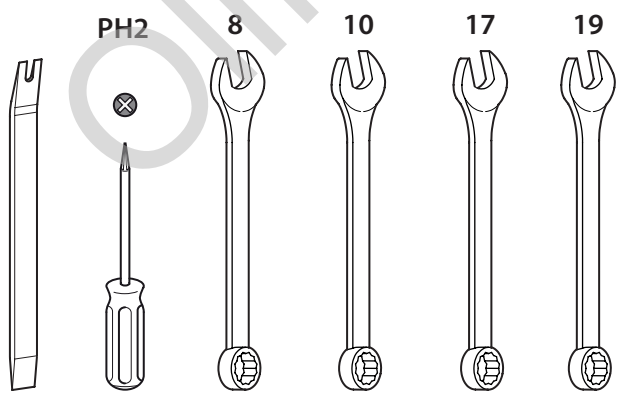
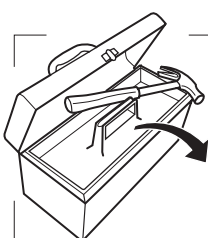


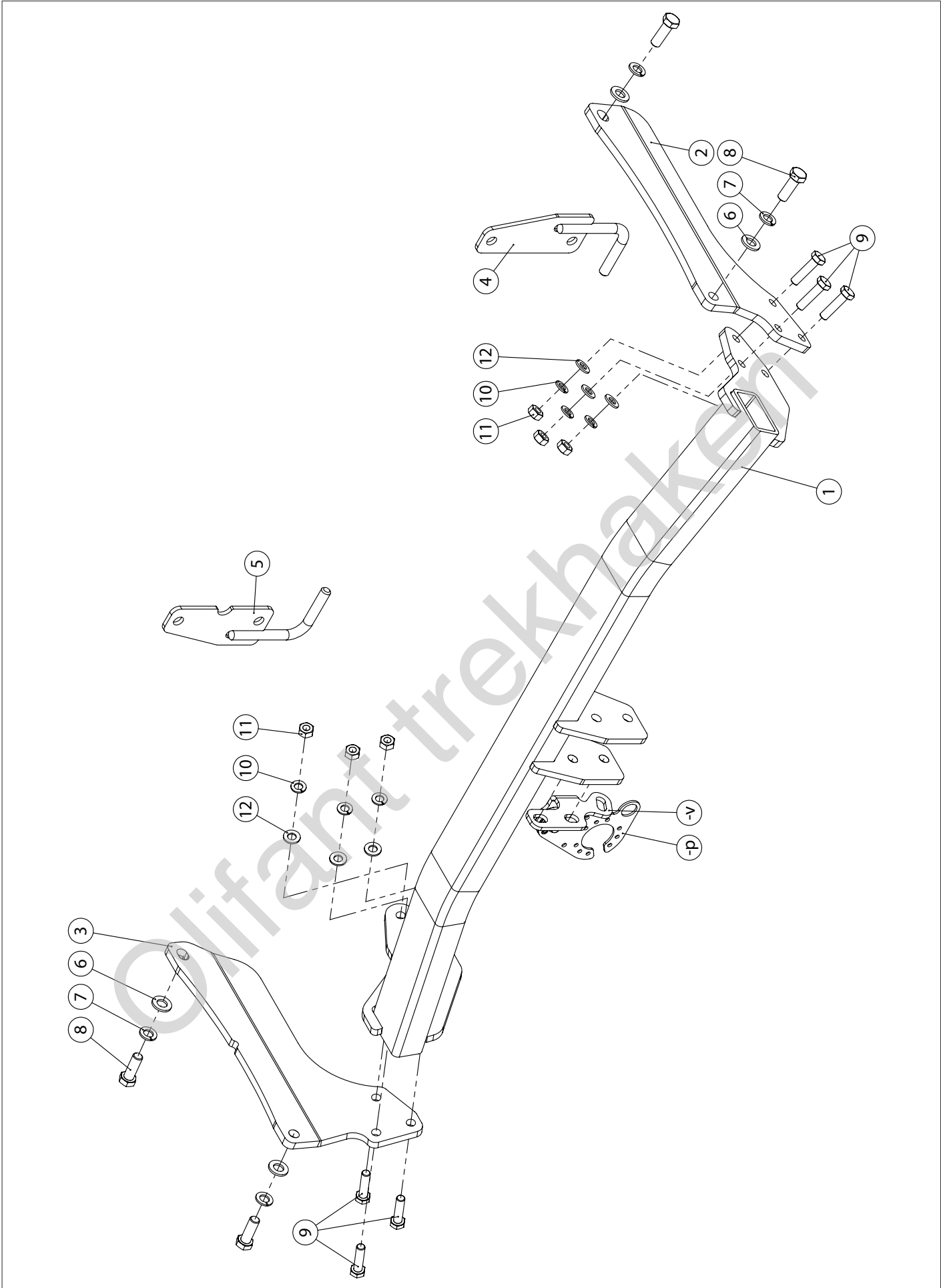
See the Certificate Of Conformity (COC) of your vehicle or contact your dealer to verify the max. trailer weight of your car!

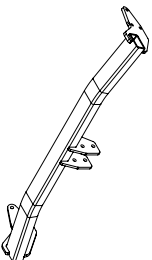











MADE BY	D 10	F	E6
BELGIUM	S 80	EC APPROVAL N°	55R-011002
REF N°	1950T60	SERIE N°	
OMSCHRIJVING	Mazda 6 4d + Kombi '13		

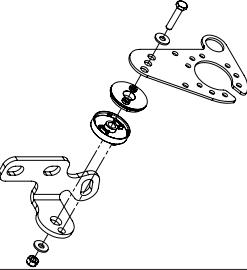
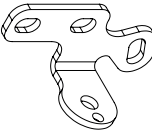




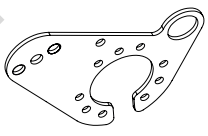



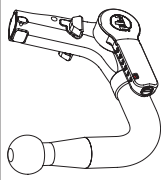
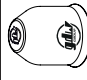
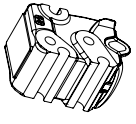


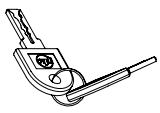

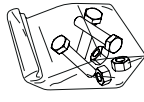
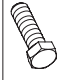



	M 6	M 8	M10		M12			M14		M16
	1	1,25	1,5	(1,25)	1,75	(1,5)	(1,25)	1,75	(1,5)	2
8.8	11,3 Nm	27,3 Nm	54,0 Nm	57,0 Nm	93,0 Nm	97,0 Nm	101,0 Nm	148,0 Nm	159,0 Nm	230,0 Nm
10.9	16,5 Nm	40,1 Nm	79,0 Nm	83,0 Nm	137,0 Nm	143,0 Nm	149,0 Nm	218,0 Nm	234,0 Nm	338,0 Nm
12.9	19,3 Nm	46,9 Nm	93,0 Nm	98,0 Nm	160,0 Nm	167,0 Nm	174,0 Nm	255,0 Nm	274,0 Nm	395,0 Nm



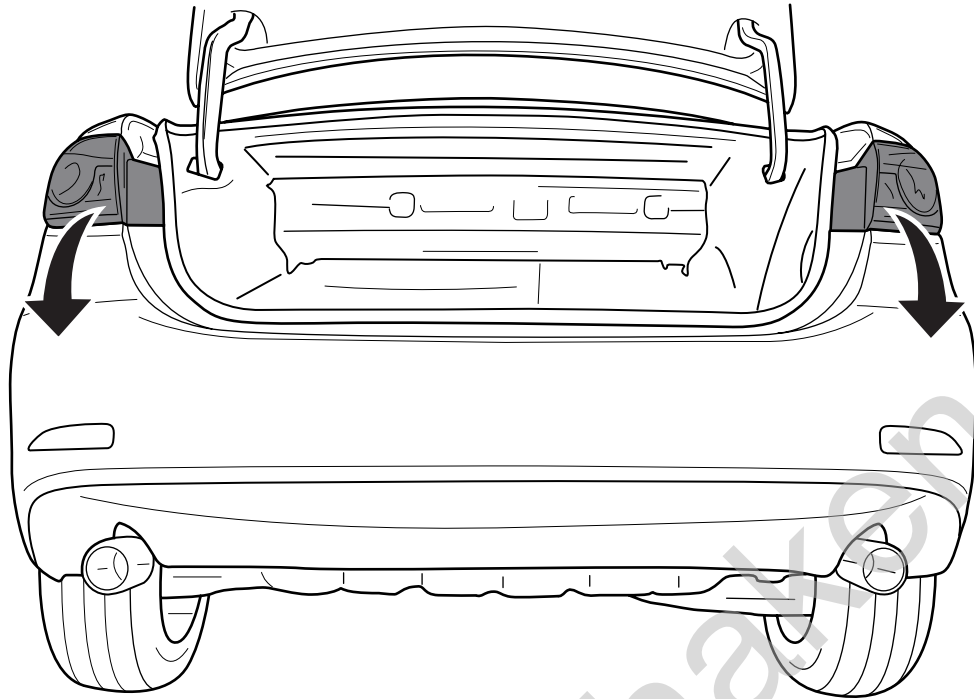


1		X1	GDW REF. 1950T60
2		X1	GDW REF. 2
3		X1	GDW REF. 3
4		X1	GDW REF. 4
5		X1	GDW REF. 5
6		X4	DINT25-A12-140HV-ELVZ
7		X4	DINT28A-M12
8		X4	DIN961-M12X35X1.25
9		X6	DIN931-M10 X 35
10		X6	DINT28A-M10
11		X6	DIN934-M10
12		X6	DINT25-A10-140HV-ELVZ

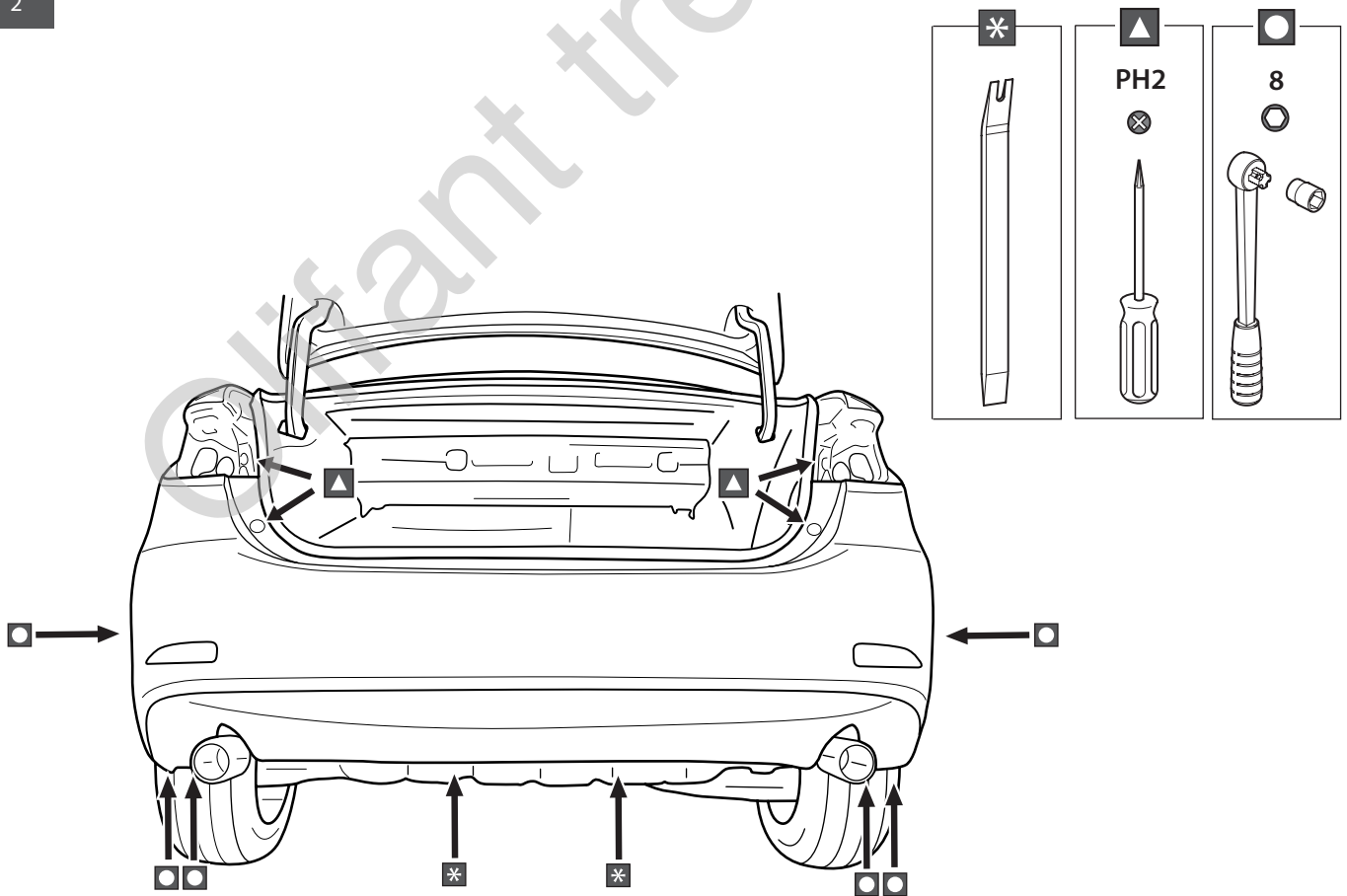
-P		X1	GDW REF. P36
↳		X1	GDW REF. 908.092
↳		X1	DIN985-M6
↳		X2	6,2 X 15,4 X 1,6 (NYLON)
↳		X1	GDW REF. 718.16.002
↳		X1	GDW REF. 718.16.003
↳		X1	GDW REF. 908.094
↳		X1	DIN933-M6 X 30

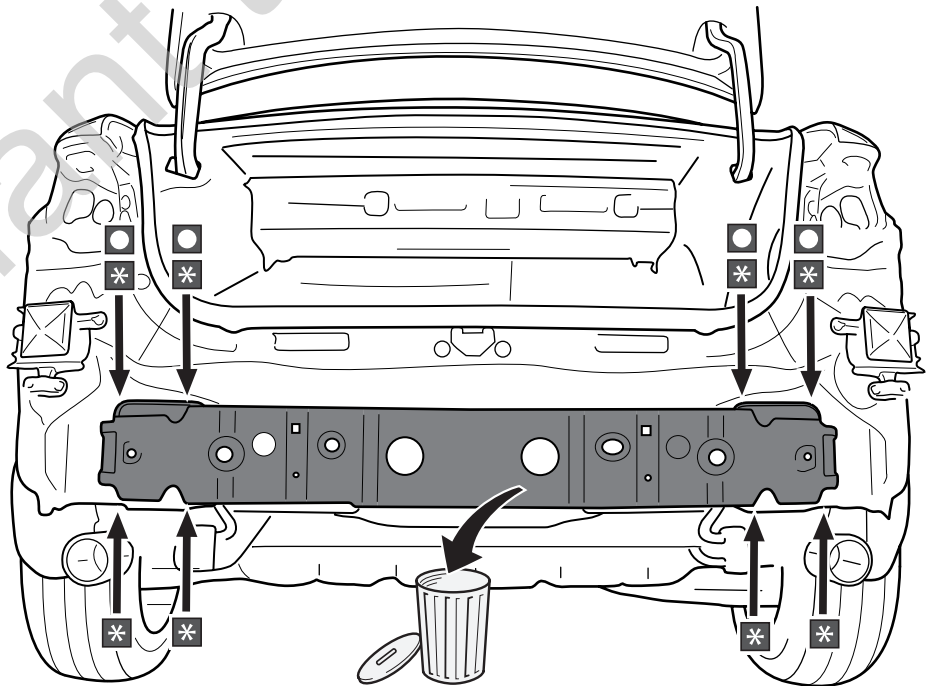
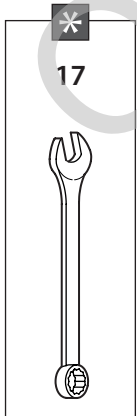
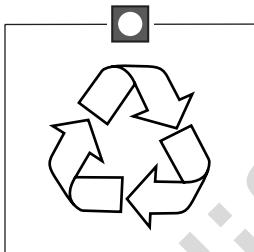
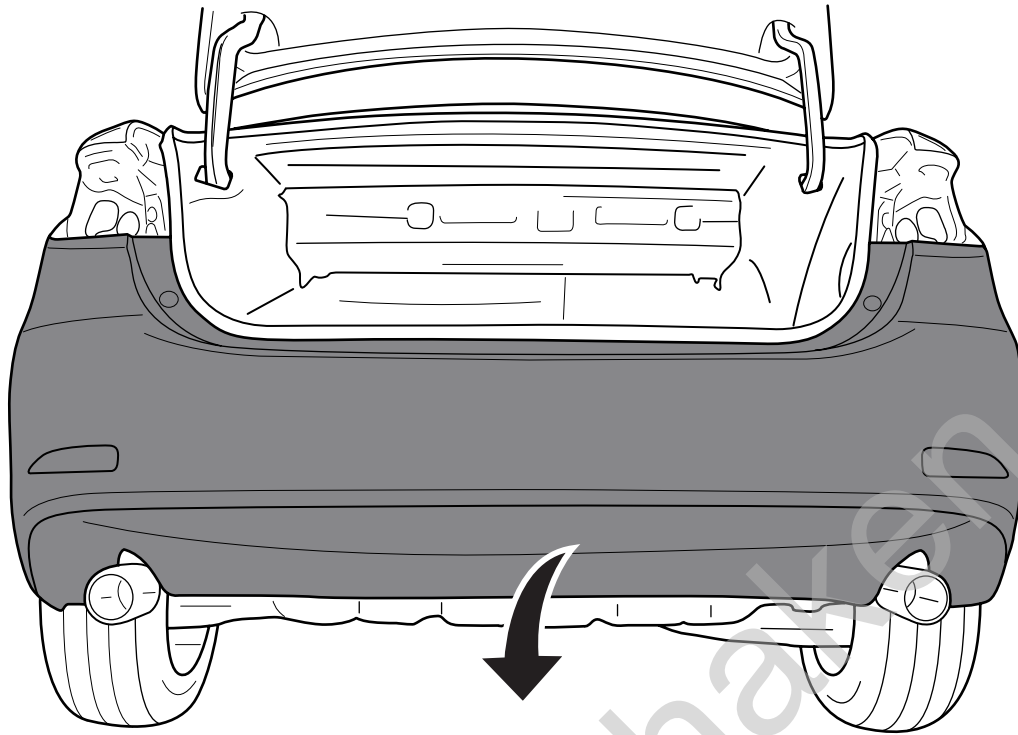
Geleverd met - Livré avec - Delivered with Geliefert mit - Elementos adjuntos - Leverages med		X1	GDW REF. 960.V0606
	↳ 	X1	GDW REF. 740.200
		X1	GDW REF. 912.003
	↳ 	X1	GDW REF. 740.112
	↳ 	X1	GDW REF. 740.111
		X1	GDW REF. 740.114
		X1	GDW REF. 718.15.001
		X1	GDW REF. SYST60-100
	↳ 	X2	DIN933-M12 X 25
	↳ 	X2	DIN933-M12 X 20
	↳ 	X4	Ø 14 X 24 X 1
	↳ 	X4	DINT28A-M12

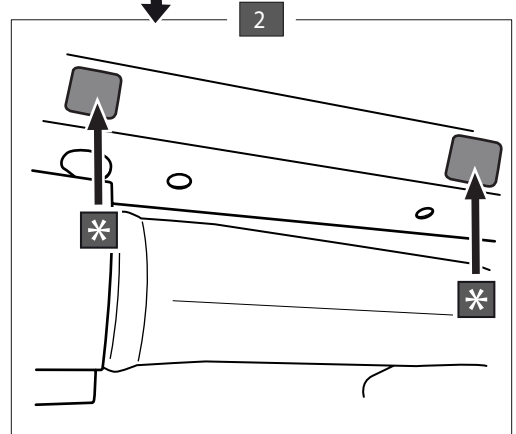
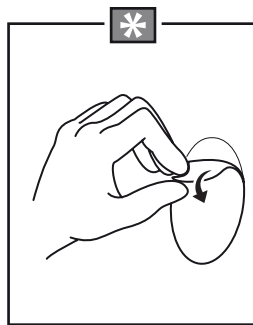
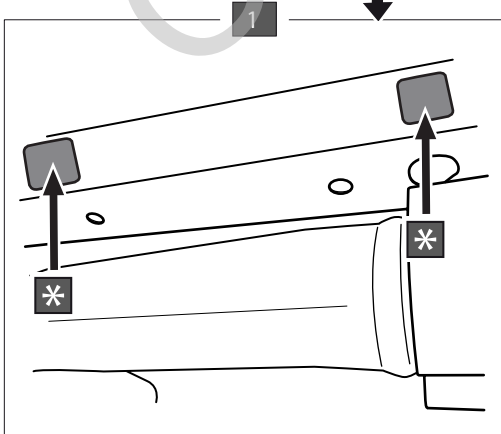
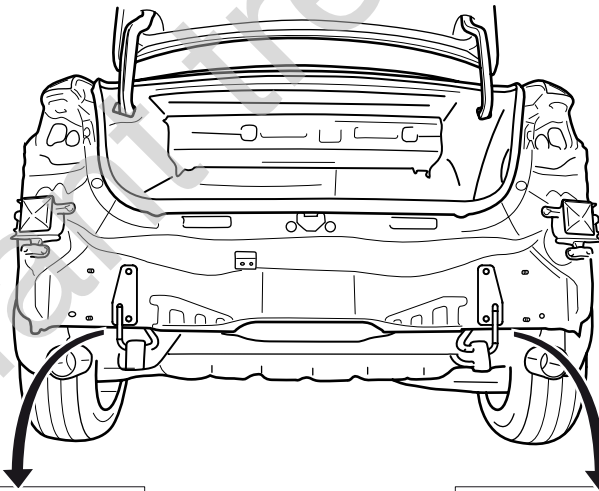
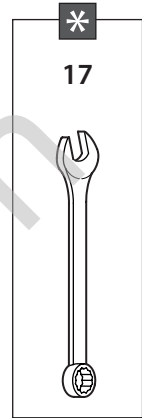
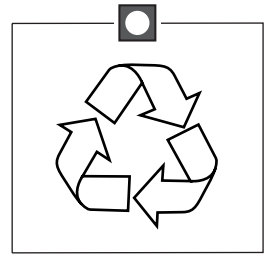
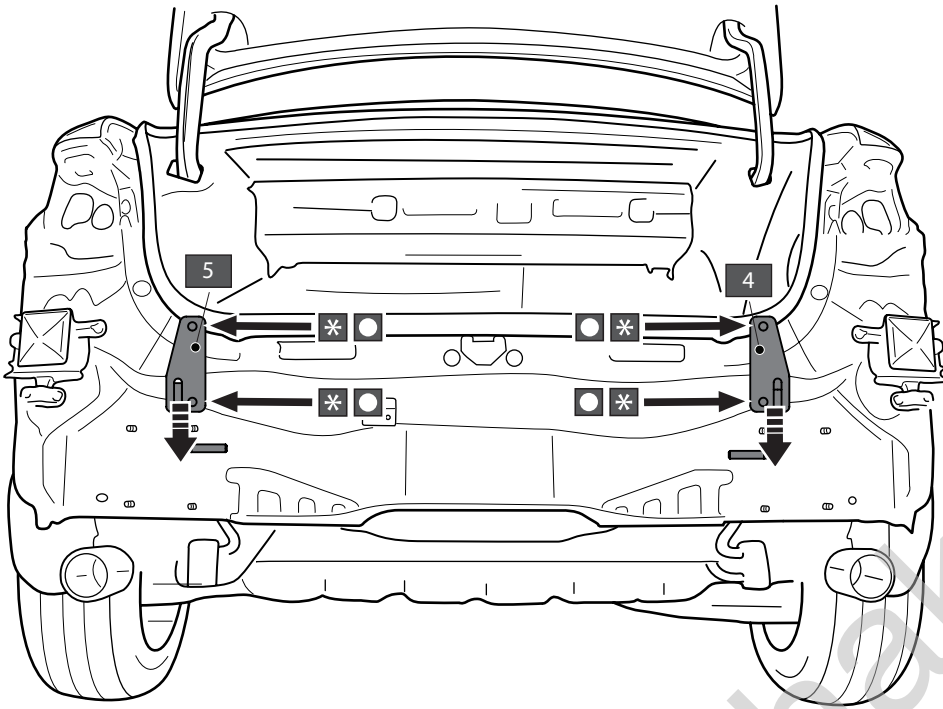
1

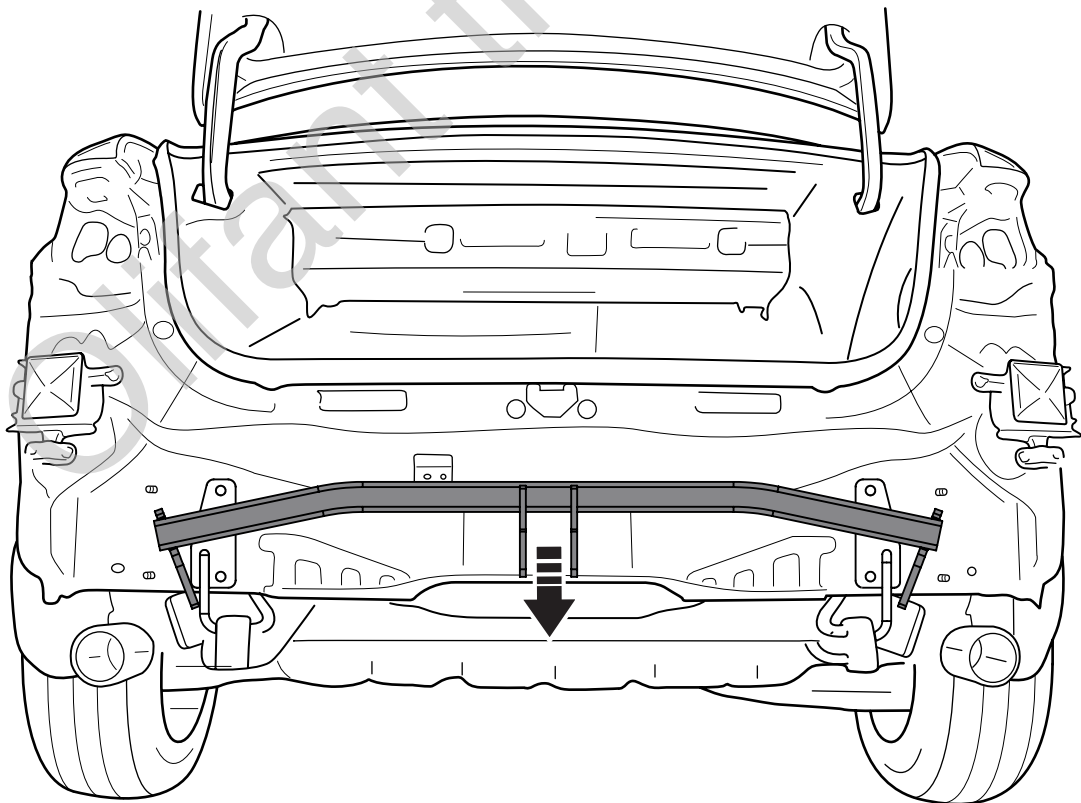
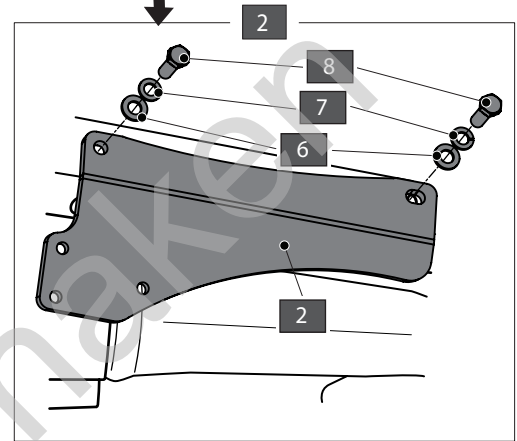
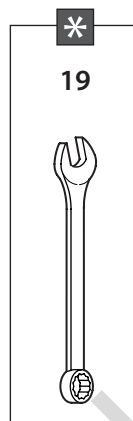
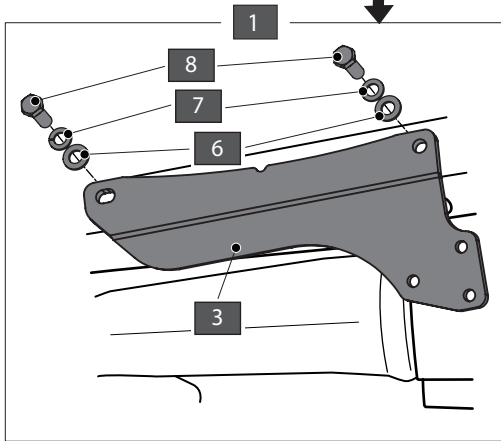
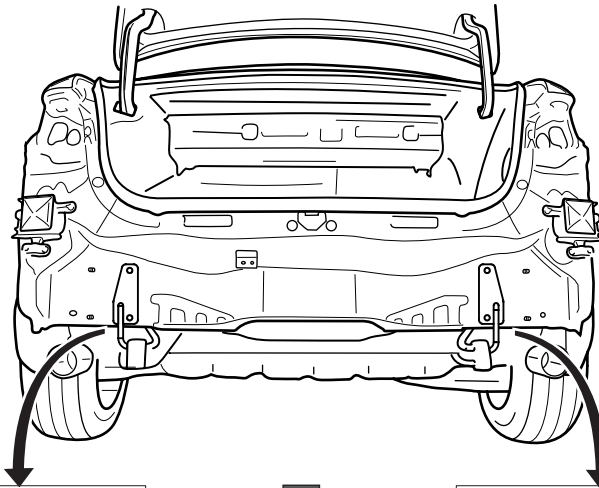


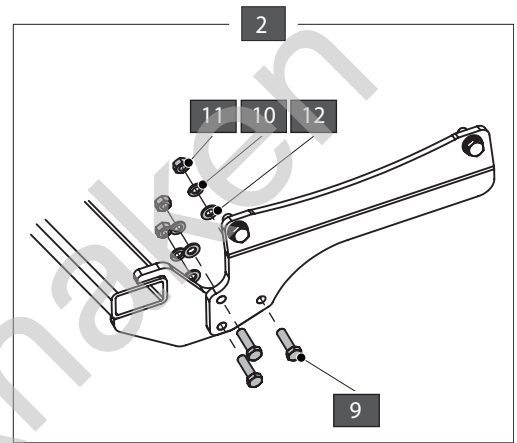
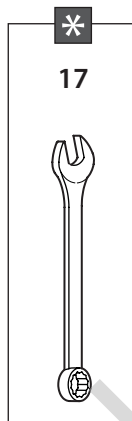
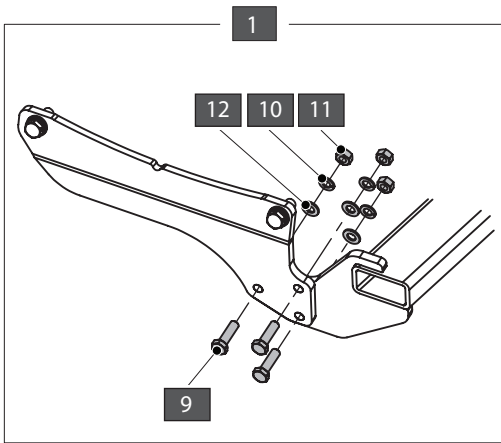
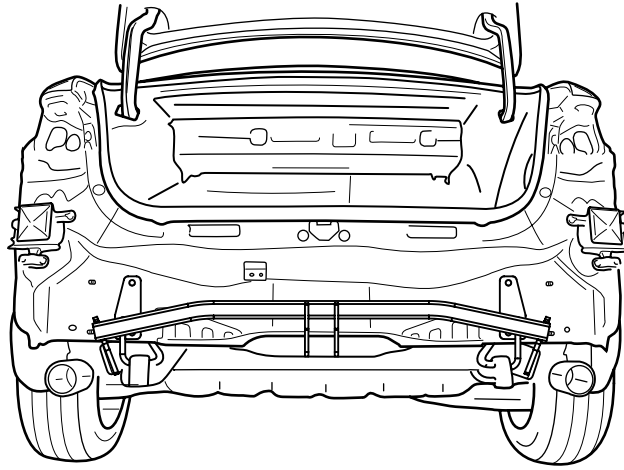
2



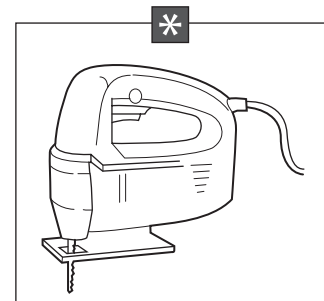
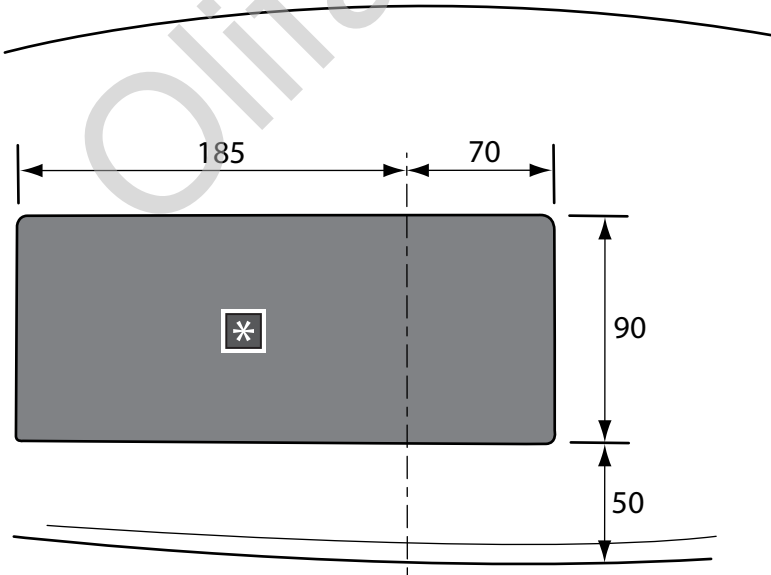
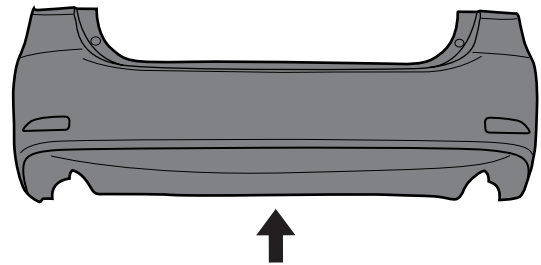


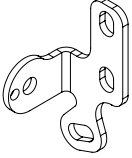




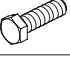
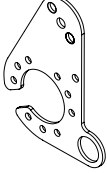


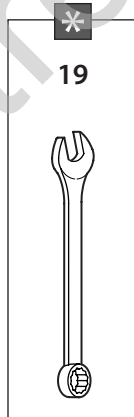
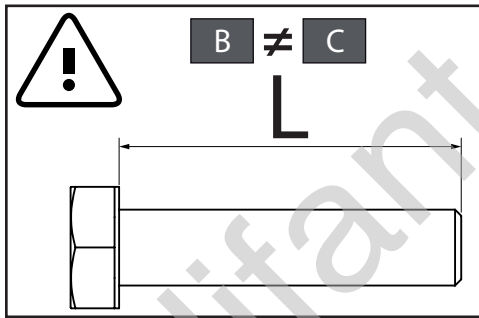
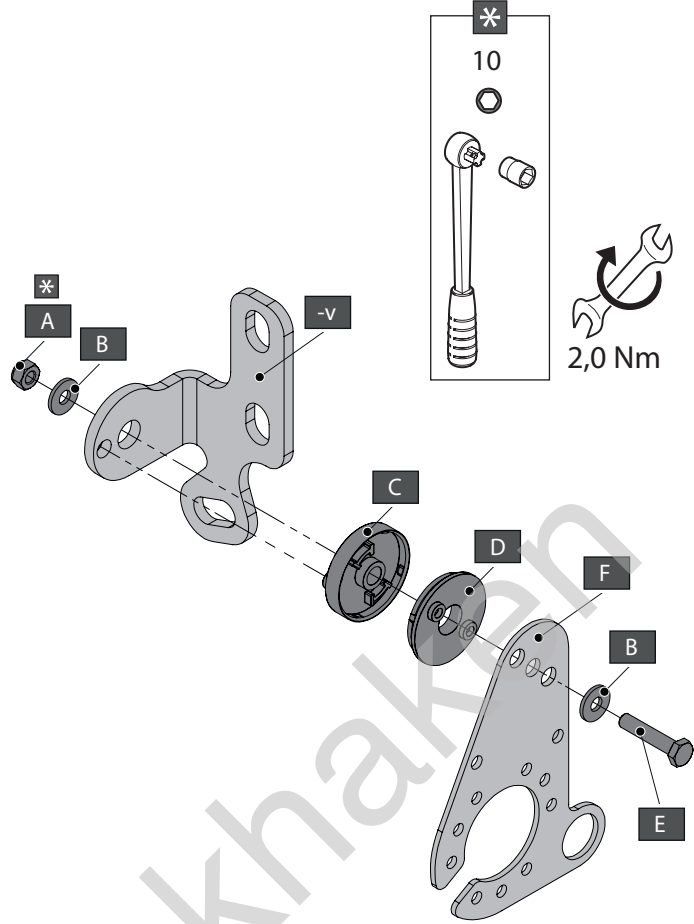



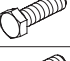
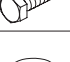




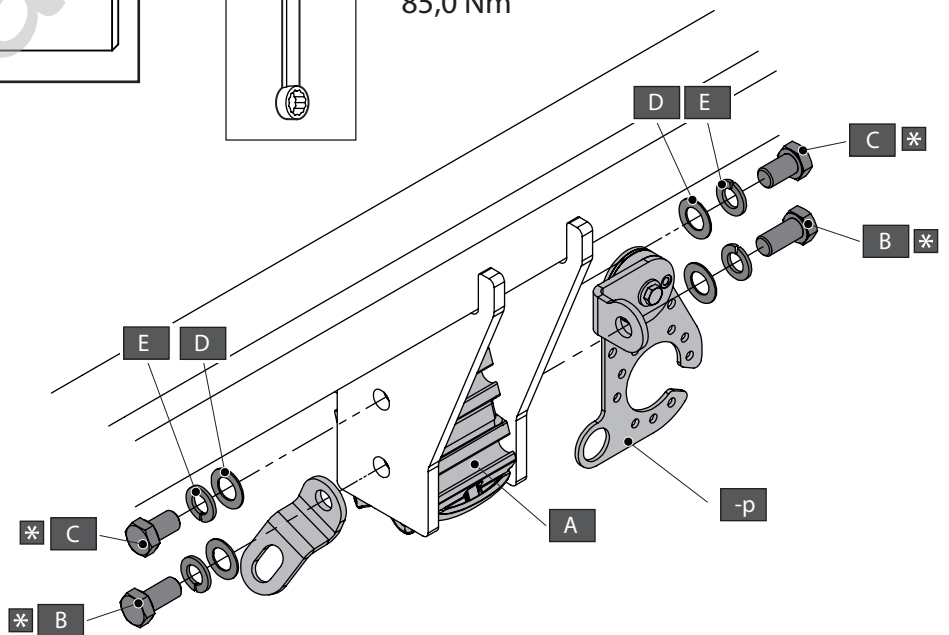
Mazda 6 Kombi

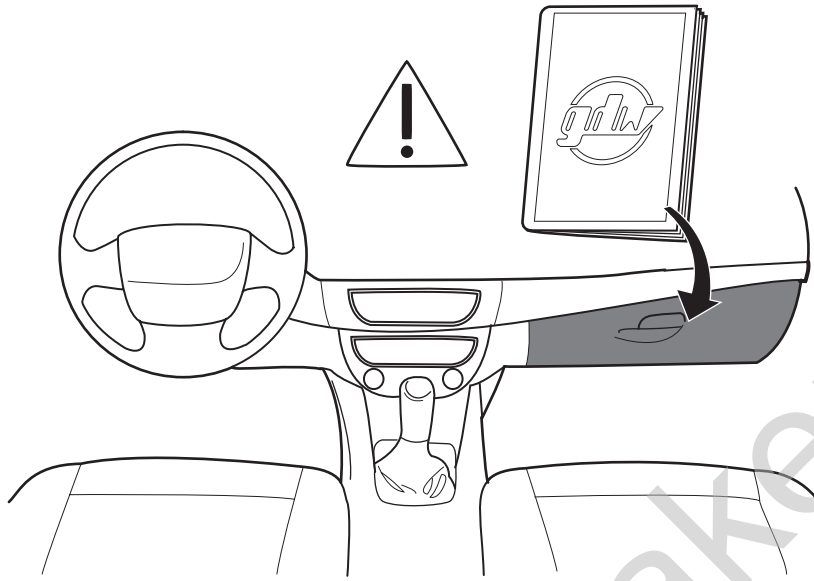


-V		X1	GDW REF. 908.092
A		X1	DIN985-M6
B		X2	6,2 X 15,4 X 1,6 (NYLON)
C		X1	GDW REF. 718.16.002
D		X1	GDW REF. 718.16.003
E		X1	DIN933-M6 X 30
F		X1	GDW REF. 908.094



A		X1	GDW REF. 912.003
B		X2	DIN933-M12 X 25
C		X2	DIN933-M12 X 20
D		X4	Ø 14 X 24 X 1
E		X4	DIN128A-M12





Olifant trekhaken