



TREKHAKEN • ATTELAGES • ANHÄNGERVORRICHTUNGEN • TOWBARS • ENHANCES • ANHÆNGERTRÆK

Montagehandleiding | instructions de montage | Einbauanleitung | Mounting instruction
Instrucciones de montaje | monteringsvejledning

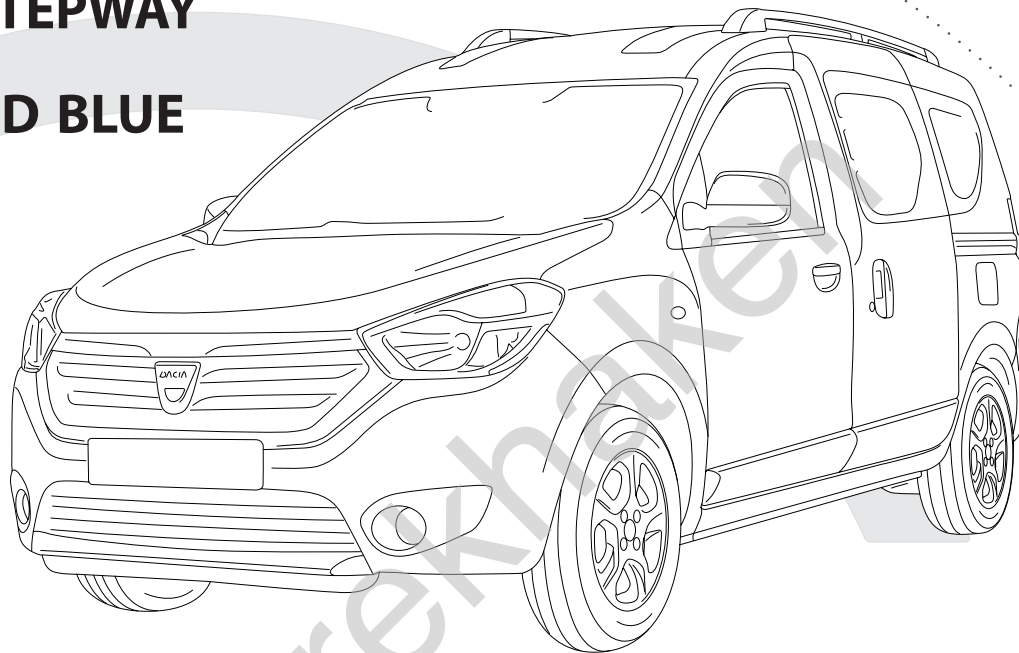


Dacia Dokker

'12-

✓ **STEPWAY**

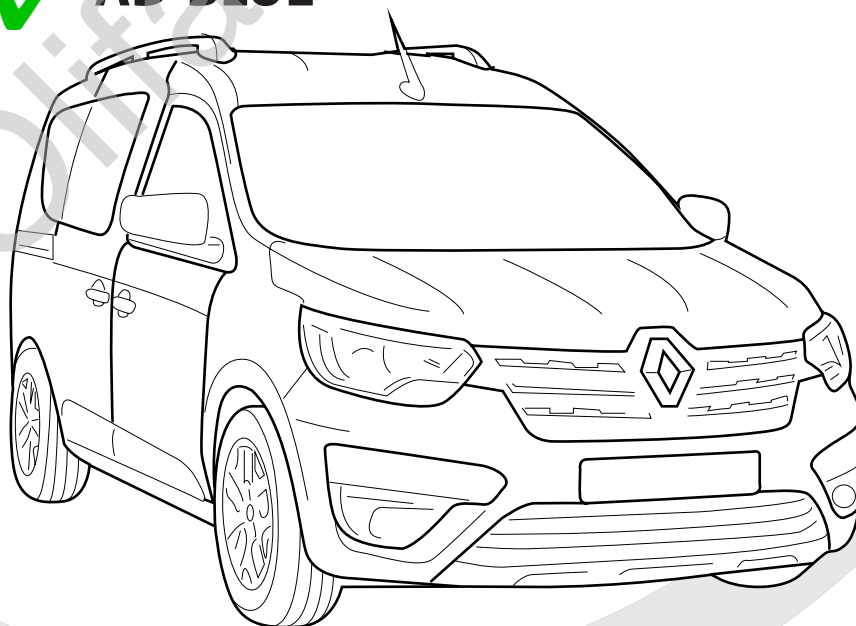
✓ **AD BLUE**

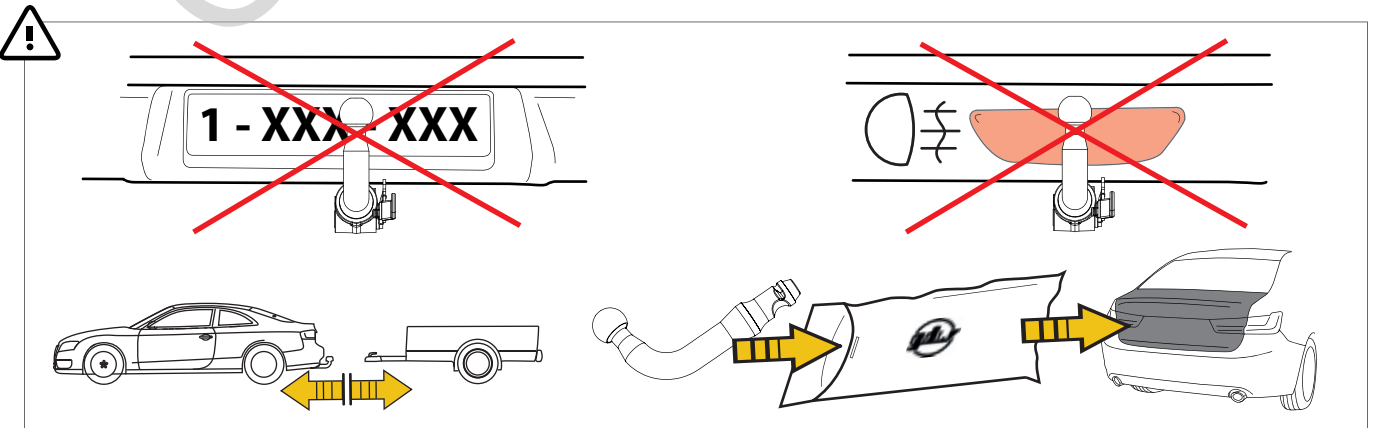
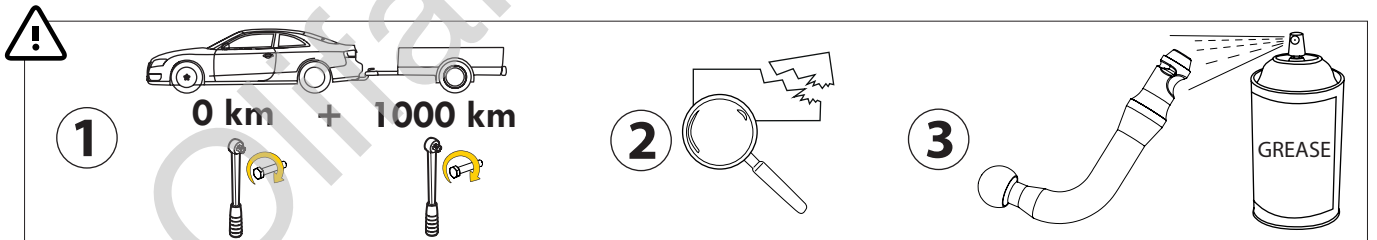
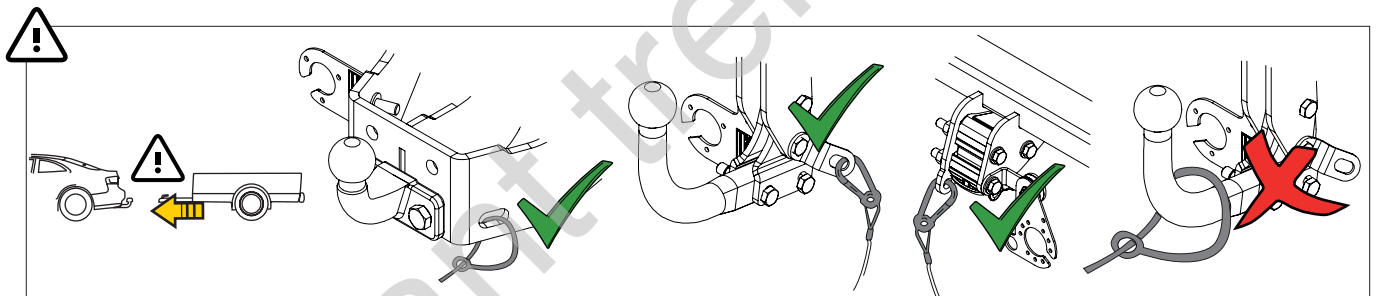
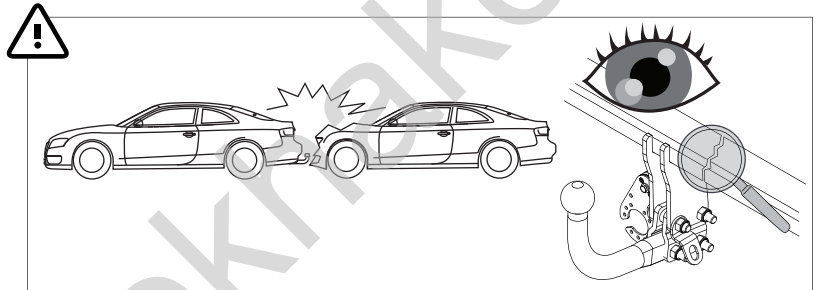
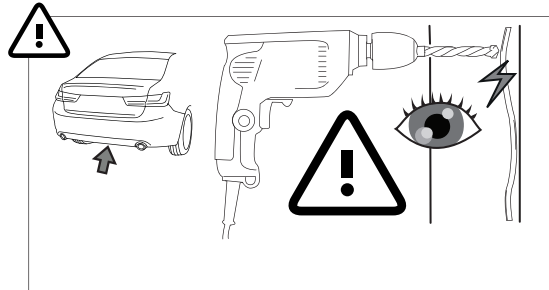
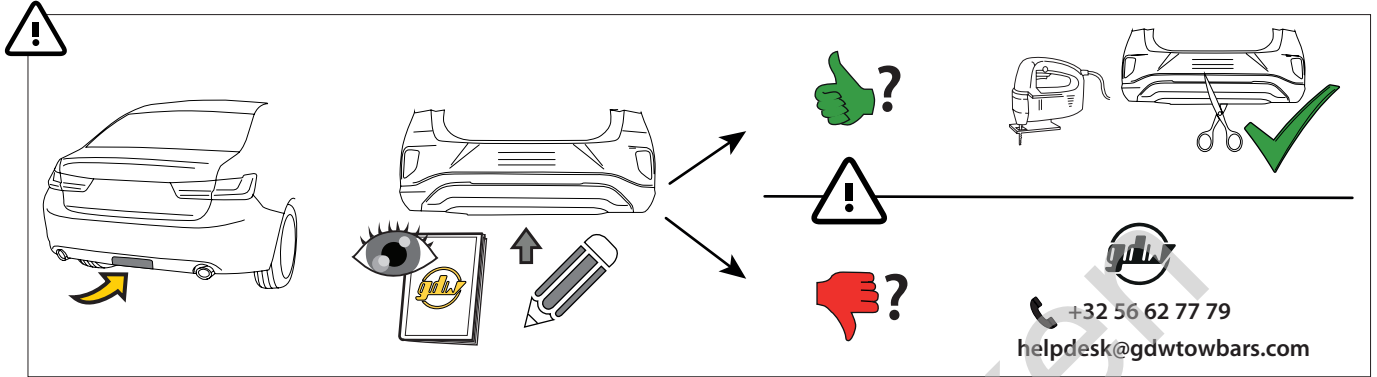
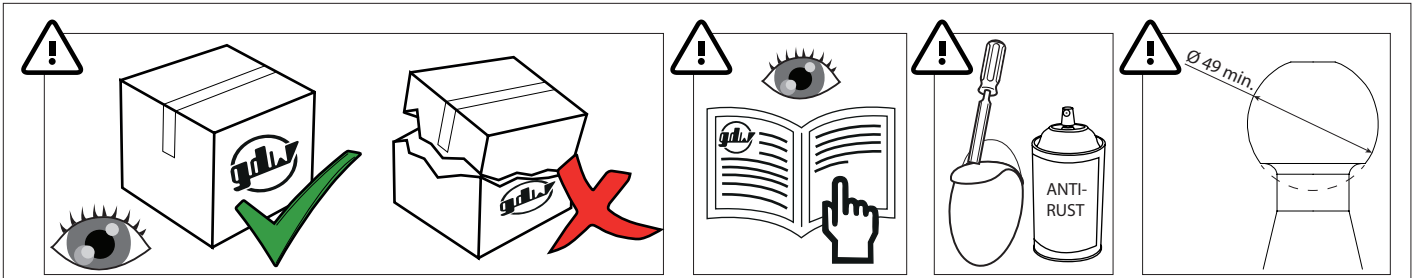


Renault Express

04/'21-

✓ **AD BLUE**



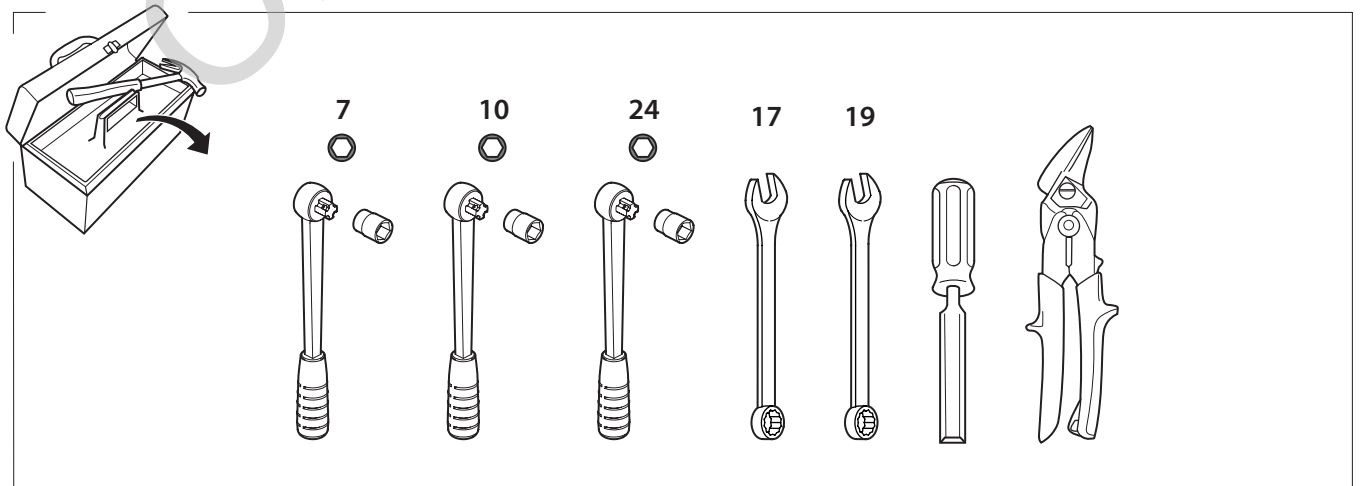
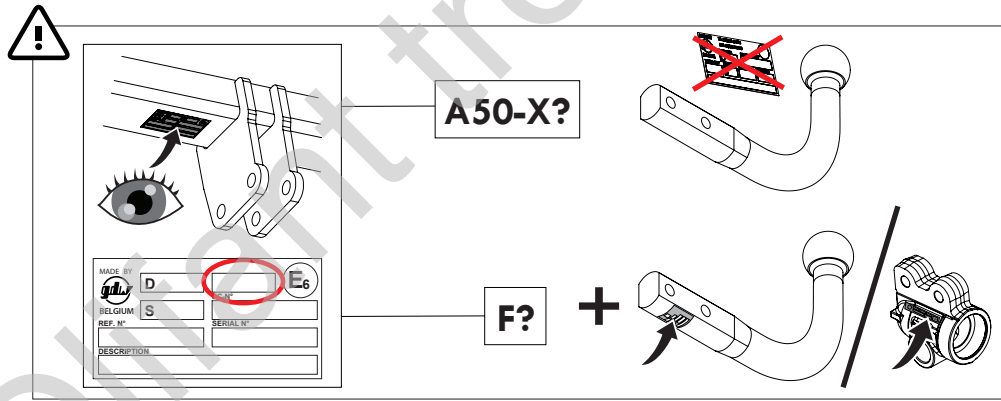
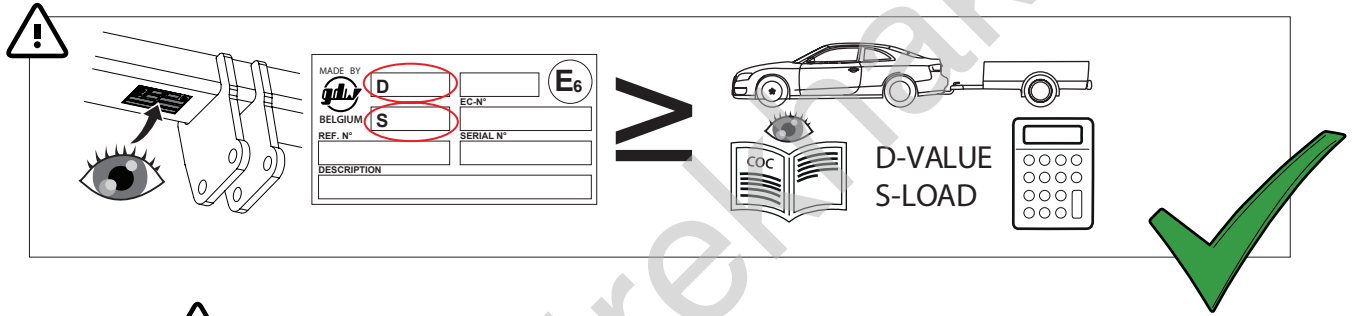
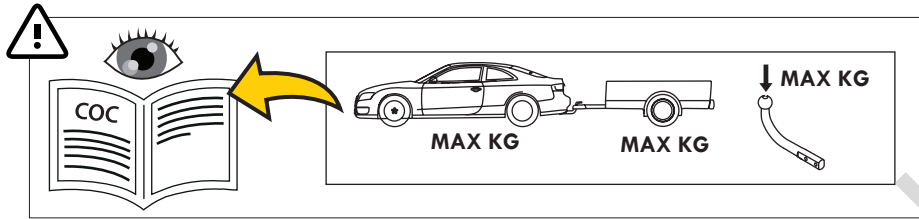


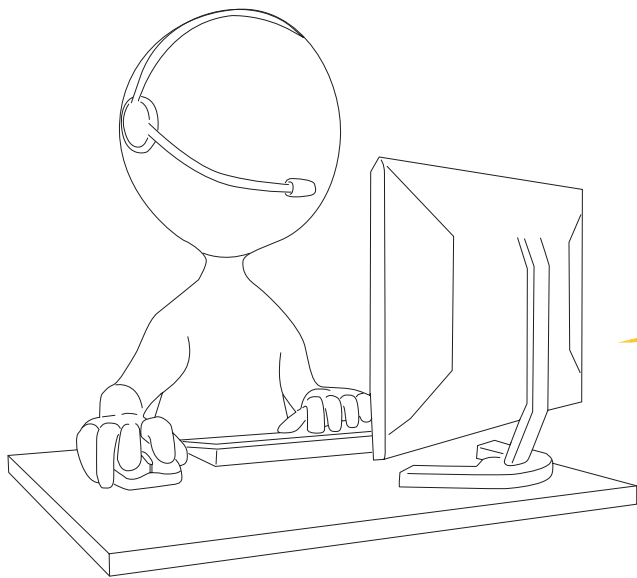
MADE BY 	D 7,60	F	E6
BELGIUM	S 75	EC-N° 55R-02 1689	
REF N° 1948		SERIAL N° XXXX	
DESCRIPTION Dacia Dokker 04/'12-			

$$D = \frac{\text{max kg (car)} \times \text{max kg (trailer)}}{\text{max kg (car)} + \text{max kg (trailer)}} \times 0.00981 \leq 7,60 \text{ kN}$$

S = ≤ 75 kg ≤ 1200 kg

See the Certificate Of Conformity (COC) of your vehicle or contact your dealer to verify the max. trailer weight of your car!

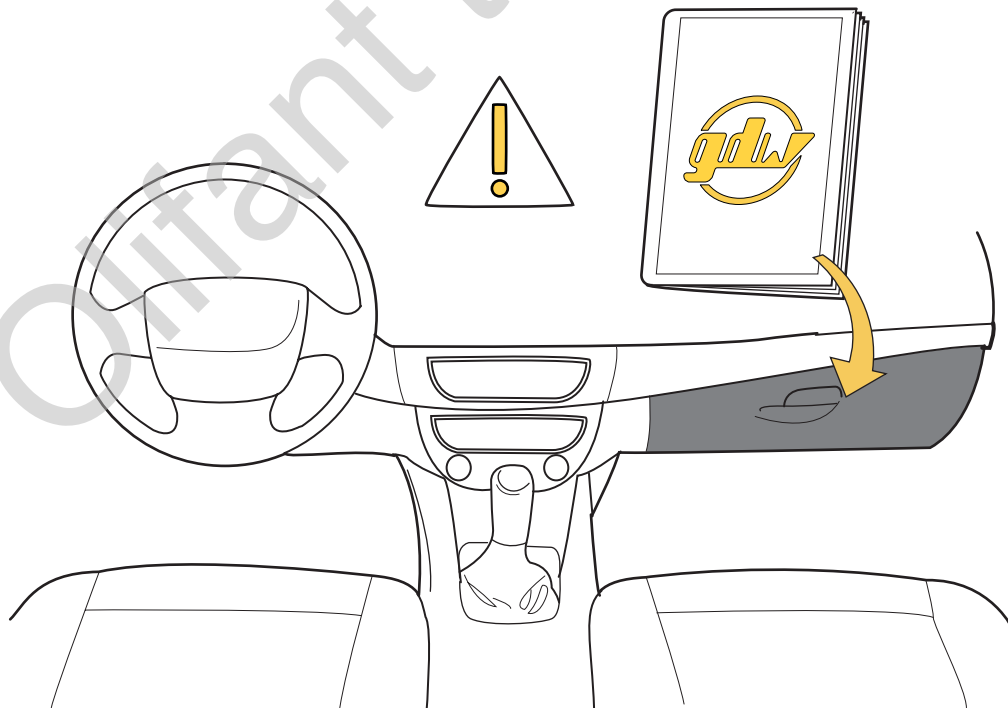


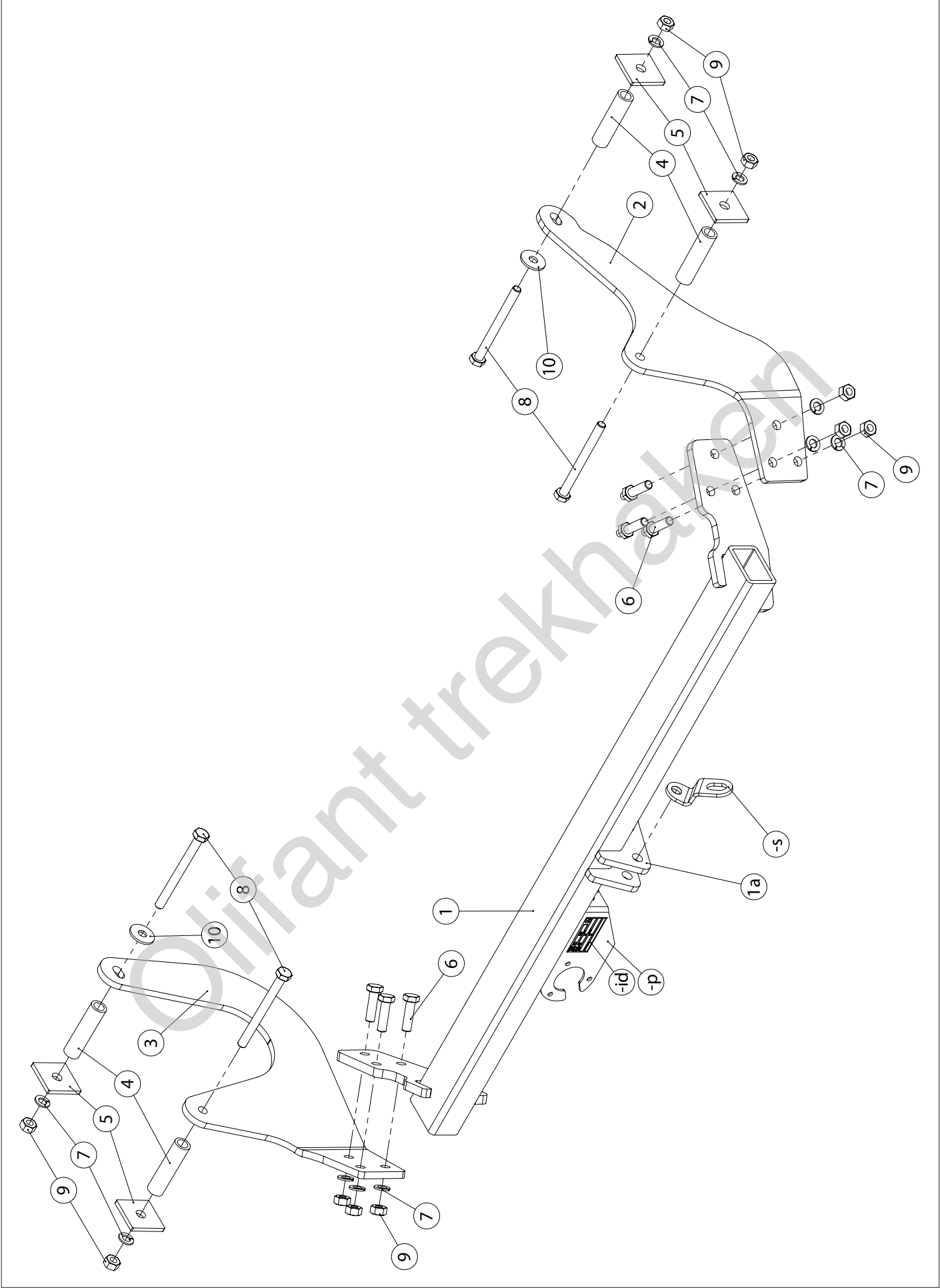


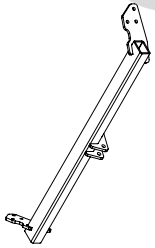
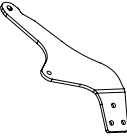
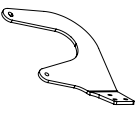

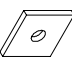







helpdesk@gdwtowbars.com

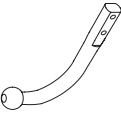
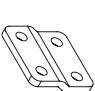

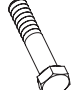

+32 56 62 77 79

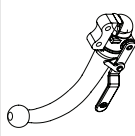


Monday	08:00 - 12:00	12:30 - 16:30
Tuesday	08:00 - 12:00	12:30 - 16:30
Wednesday	08:00 - 12:00	12:30 - 16:30
Thursday	08:00 - 12:00	12:30 - 16:30
Friday	08:00 - 12:00	12:30 - 15:30



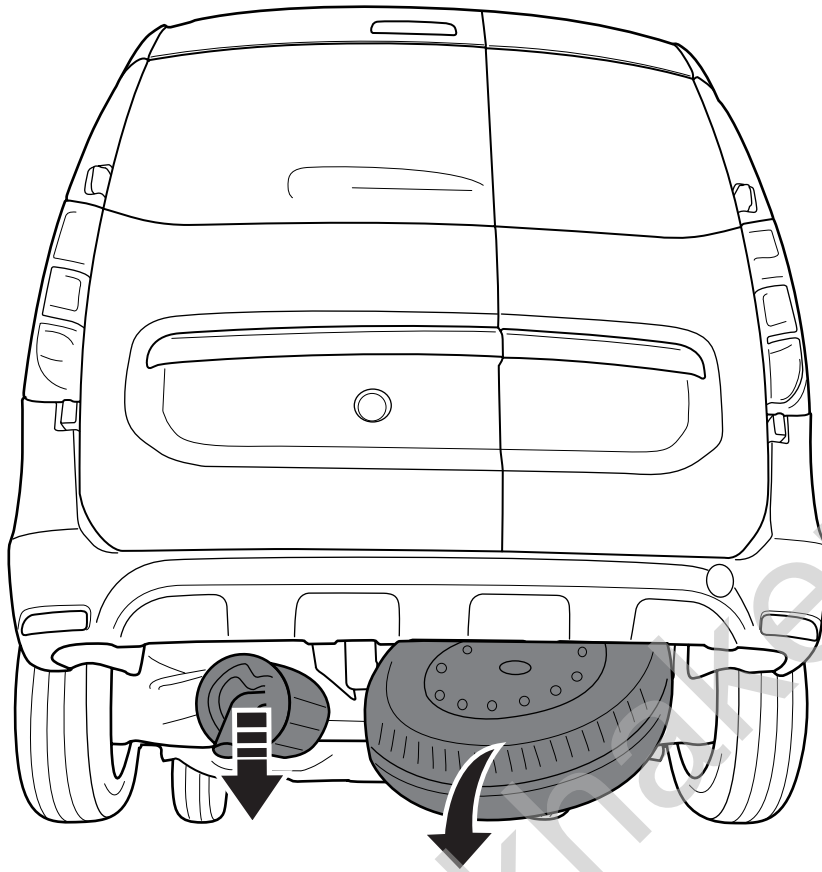


1		X1	GDW REF. 1948
2		X1	GDW REF. 2
3		X1	GDW REF. 3
4		X4	GDW REF. 4 (Ø19 X 3 X 73,5 MM)
5		X4	GDW REF. 5
6		X6	DIN933-M10X35
7		X10	DIN128A-M10
8		X4	DIN931-M10X110
9		X10	DIN934-M10
10		X2	DIN9021-M10-ELVZ
-S		X1	GDW REF. 900.053
-P		X1	GDW REF. P07

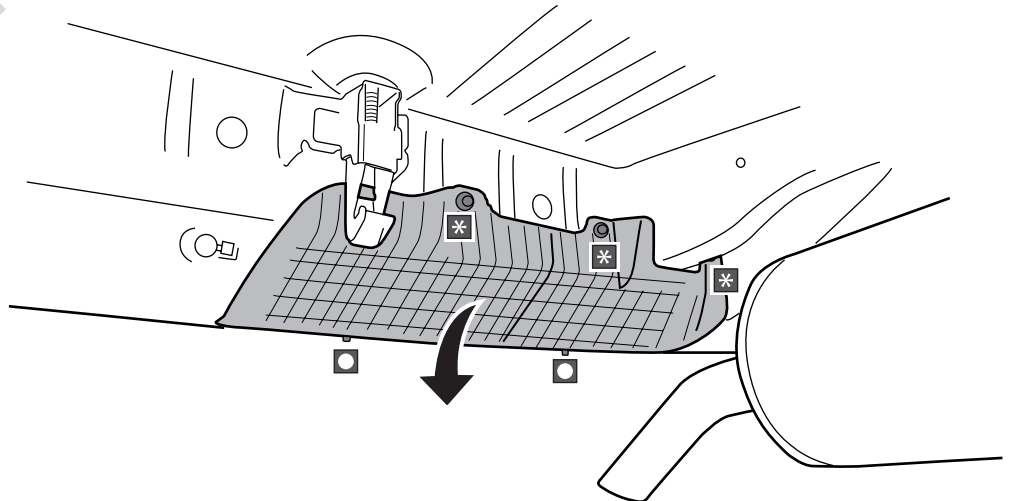
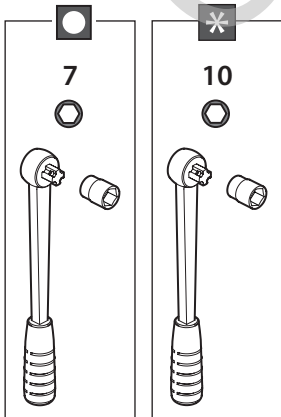
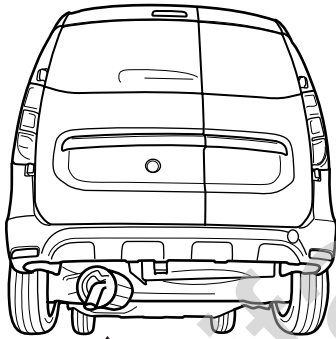
Geleverd met - Livré avec - Delivered with Geliefert mit - Elementos adjuntos-Leveres med		X1	940.J001
		X2	GDW REF. 900.008
		X2	GDW REF. 900.011 Ø 21,3 X 11,7
		X4	DIN931-M12 X 70
		X4	DIN985-M12

OPTION T36			
	X1	930.J001	
	X2	DIN931-M12 X 70	
	X2	DIN985-M12	

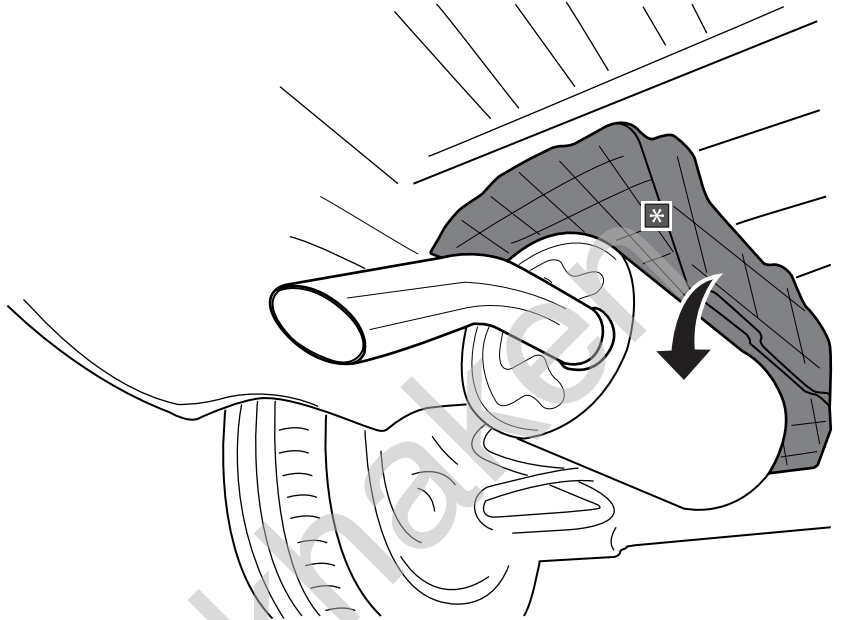
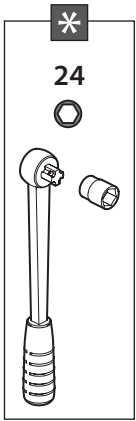
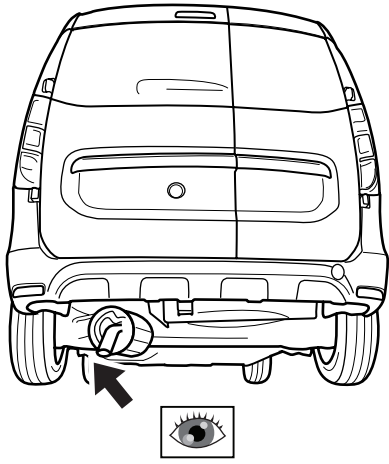
1



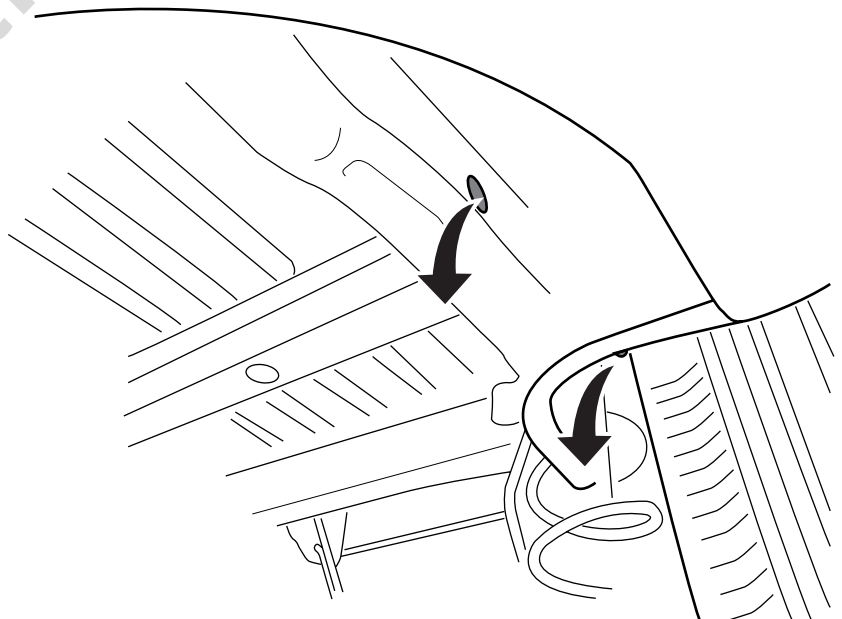
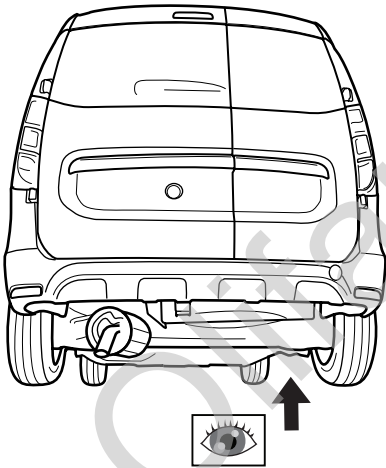
2



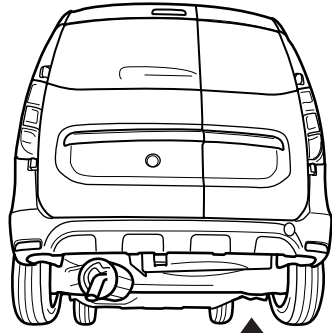
3



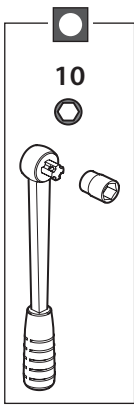
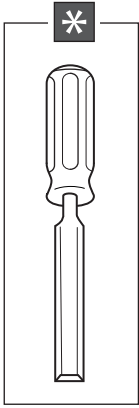
4



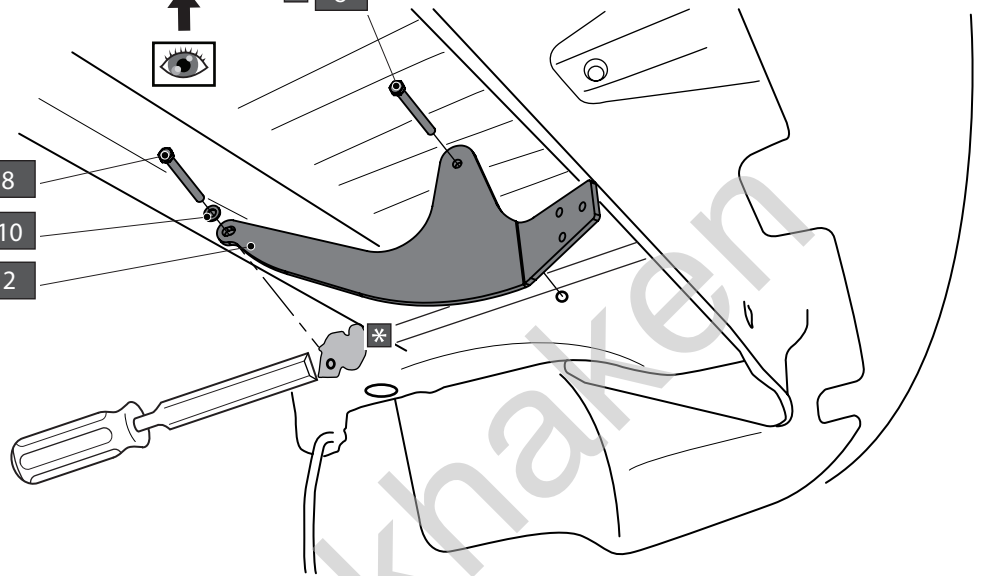
5



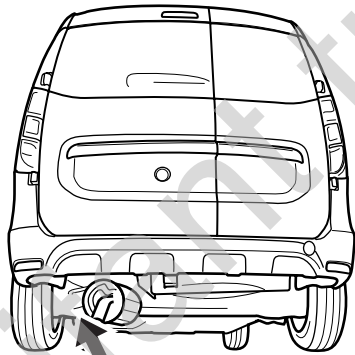
11,3 Nm



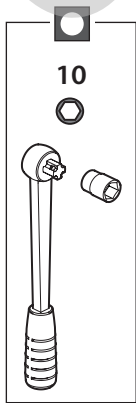
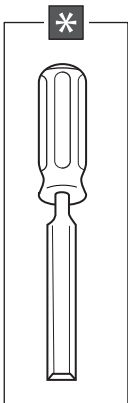
- 8
- 10
- 2



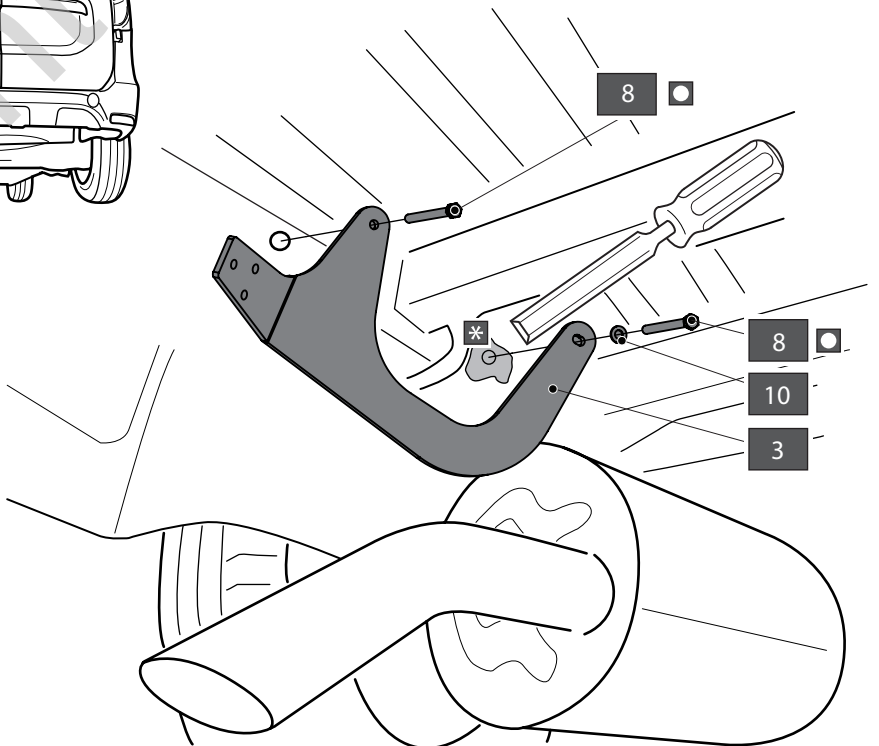
6



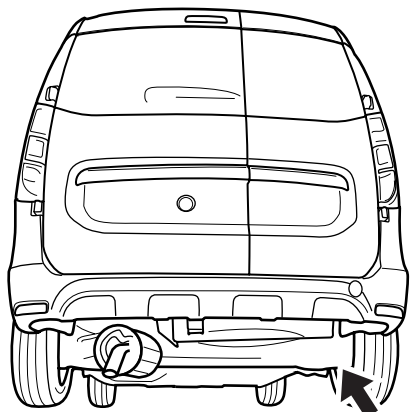
11,3 Nm



10



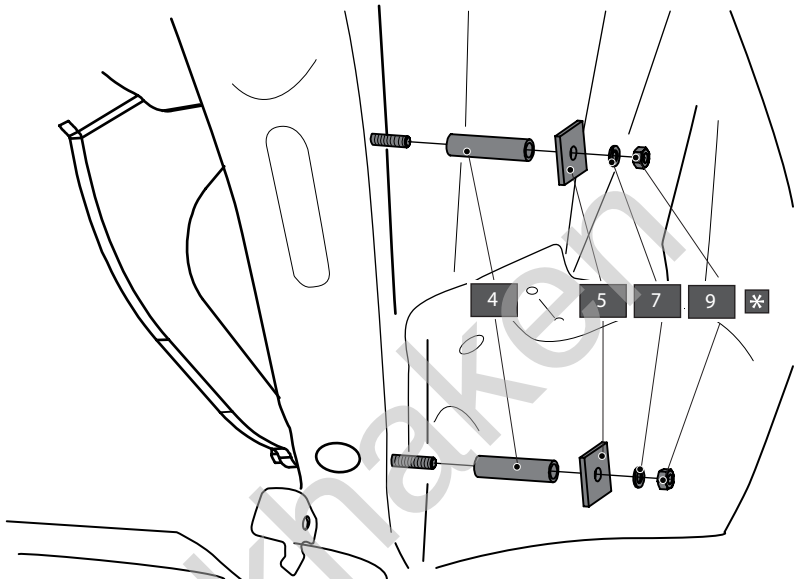
7



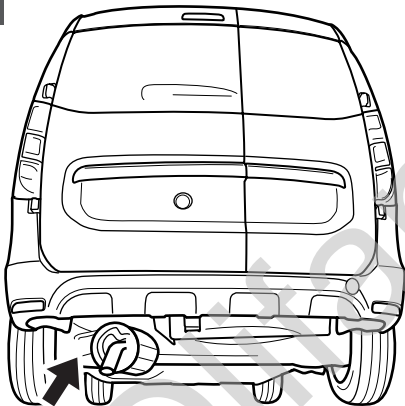
17



54,0 Nm



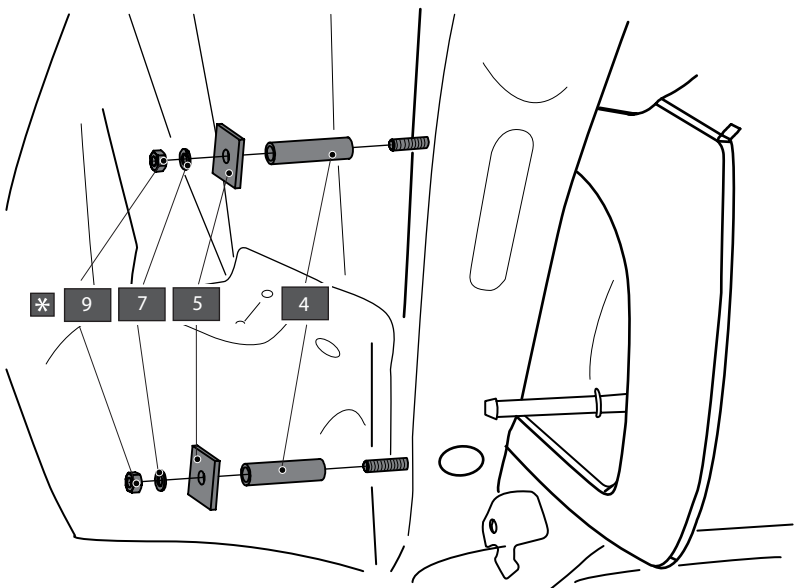
8

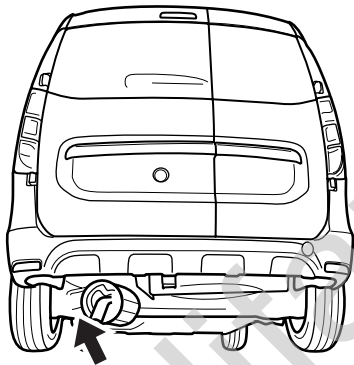
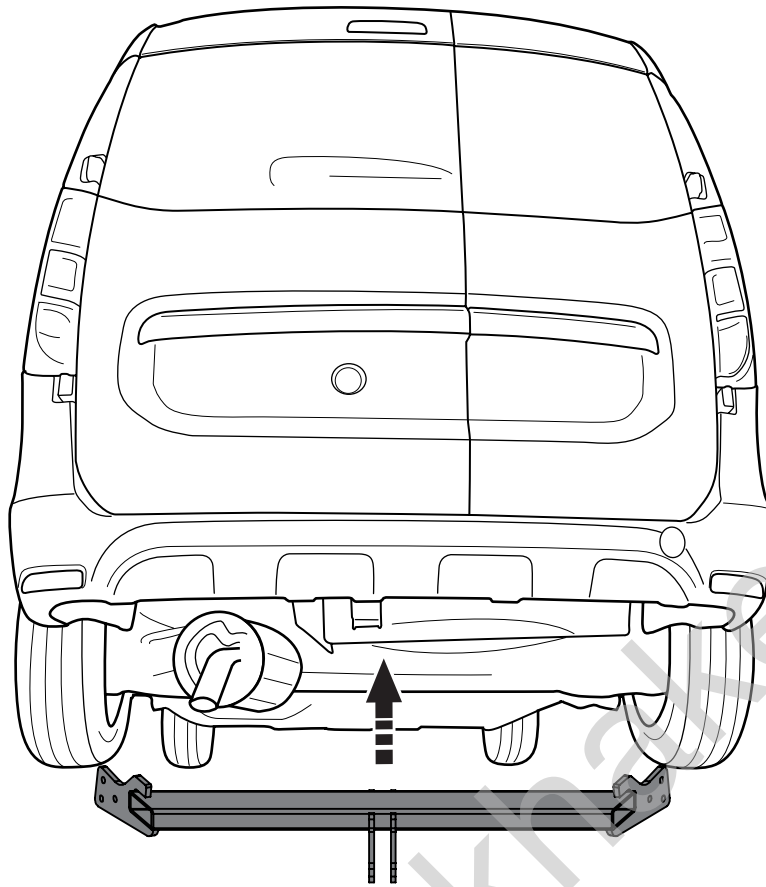


17



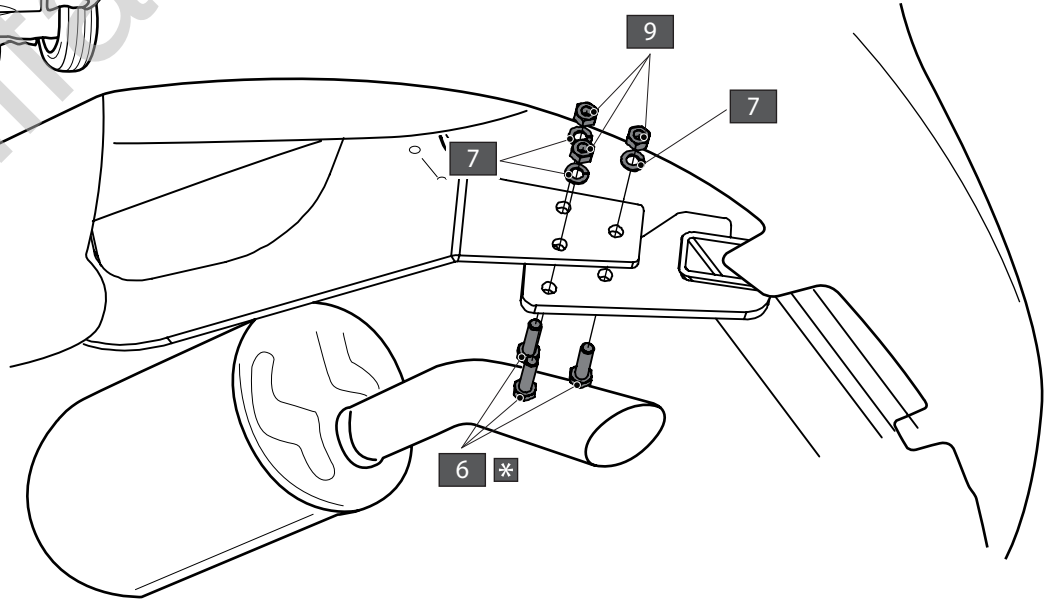
54,0 Nm



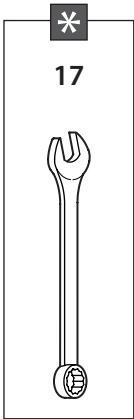
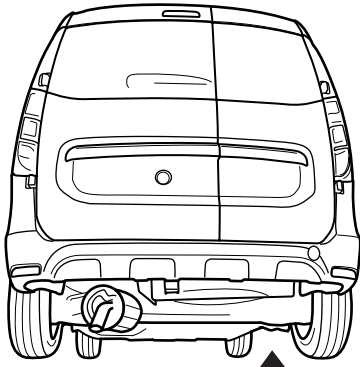


*

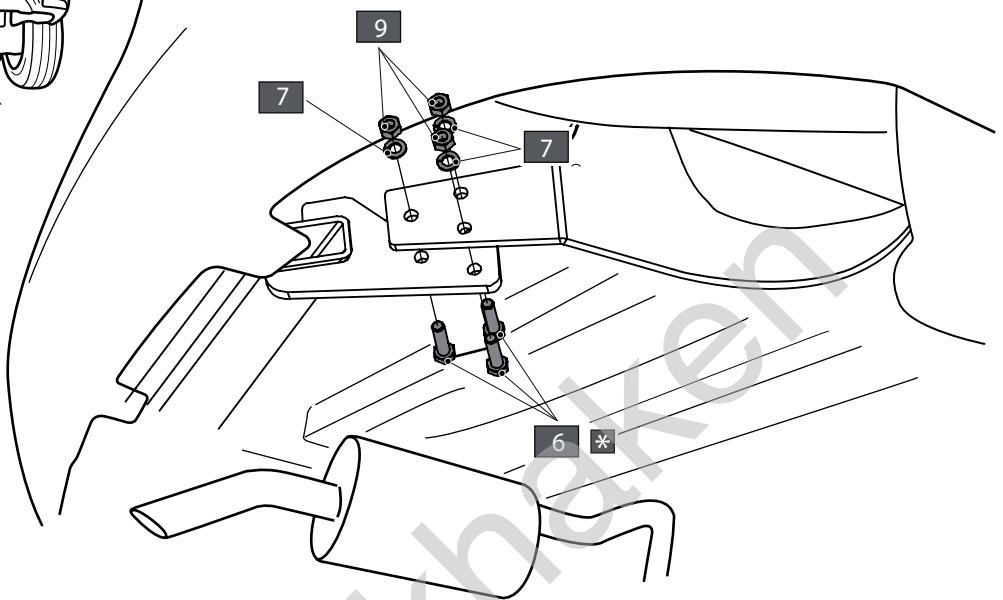
17



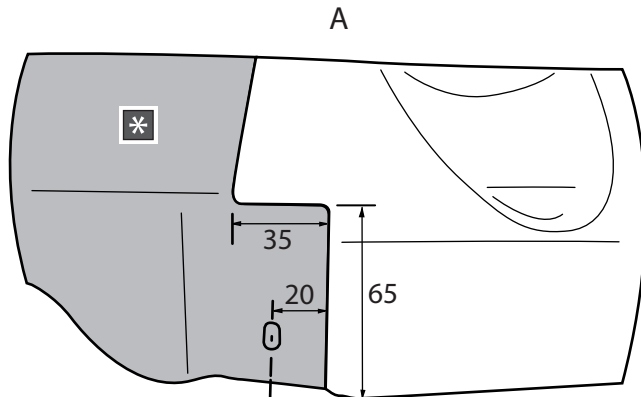
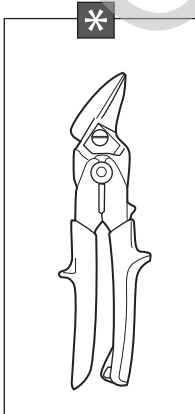
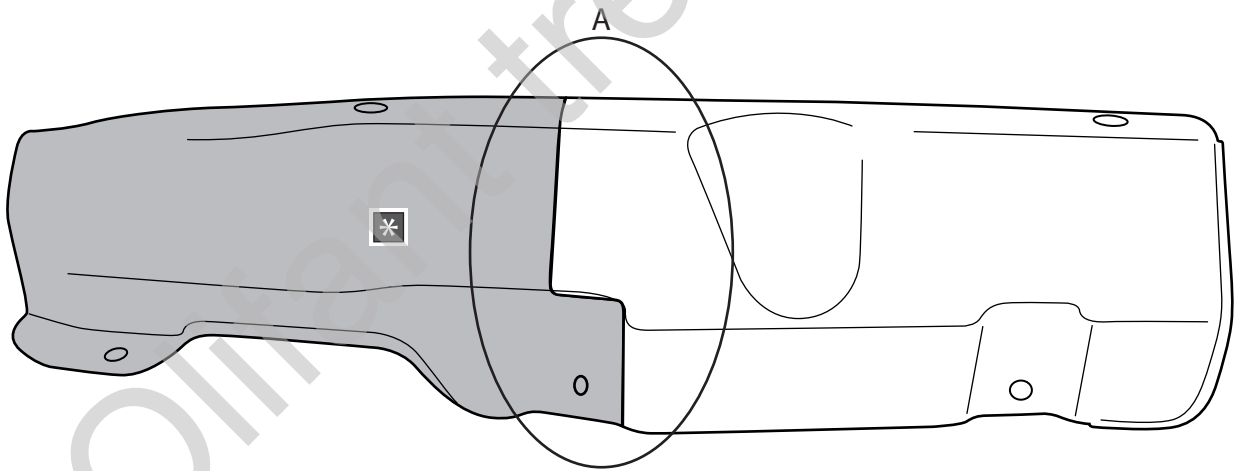
11

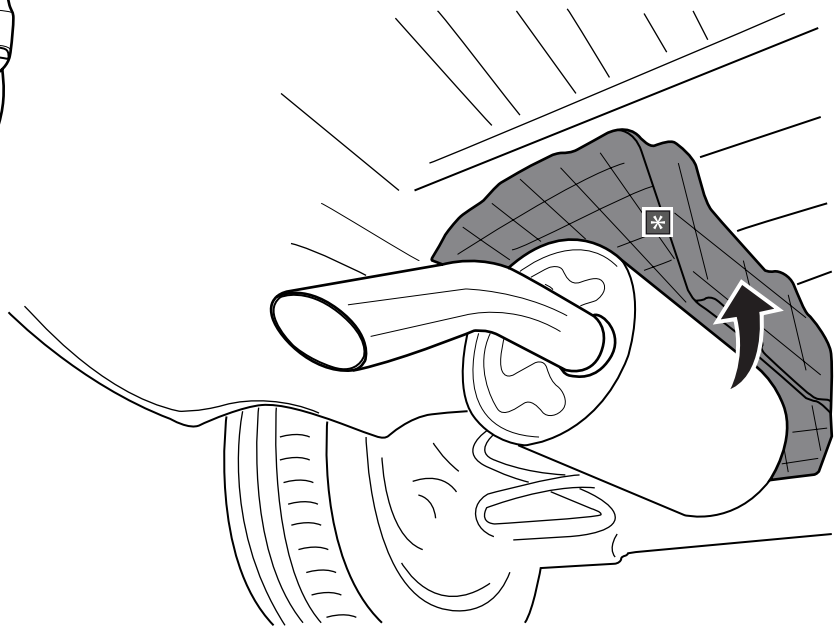
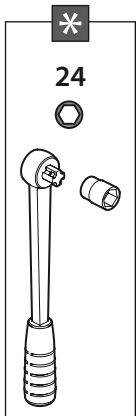
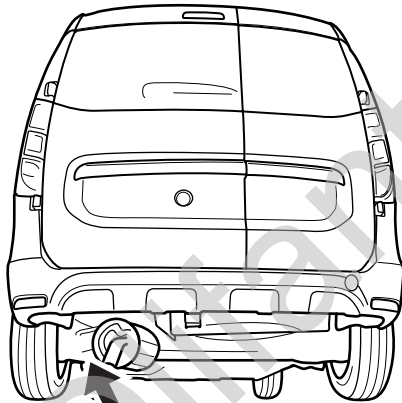
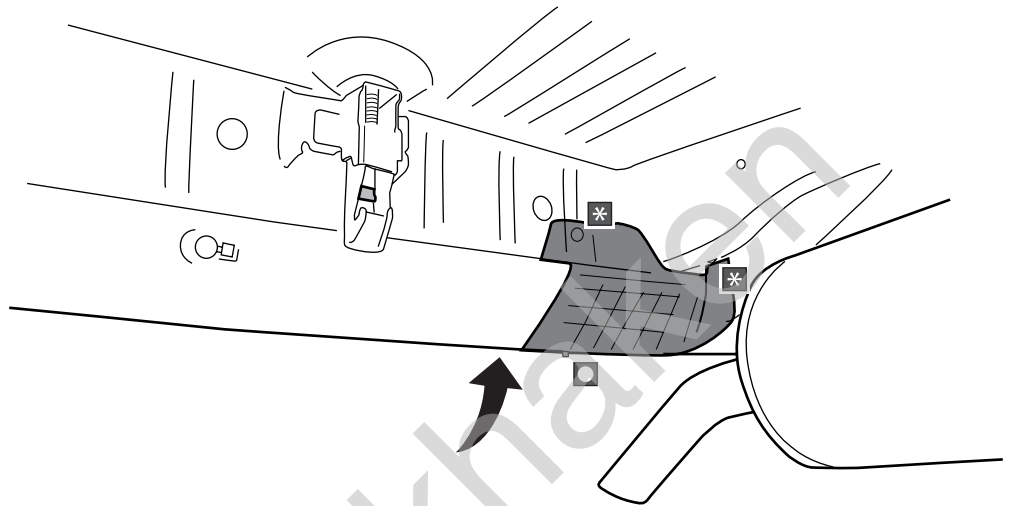
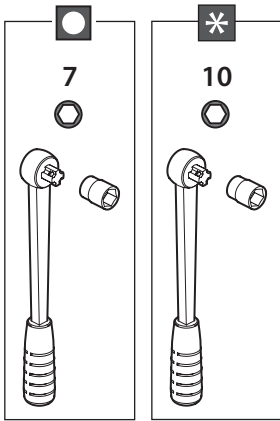
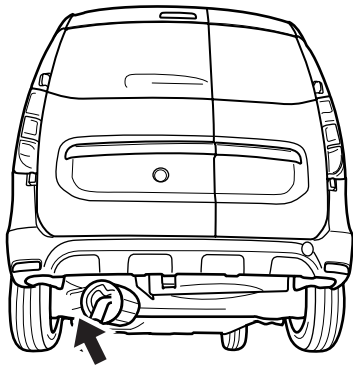


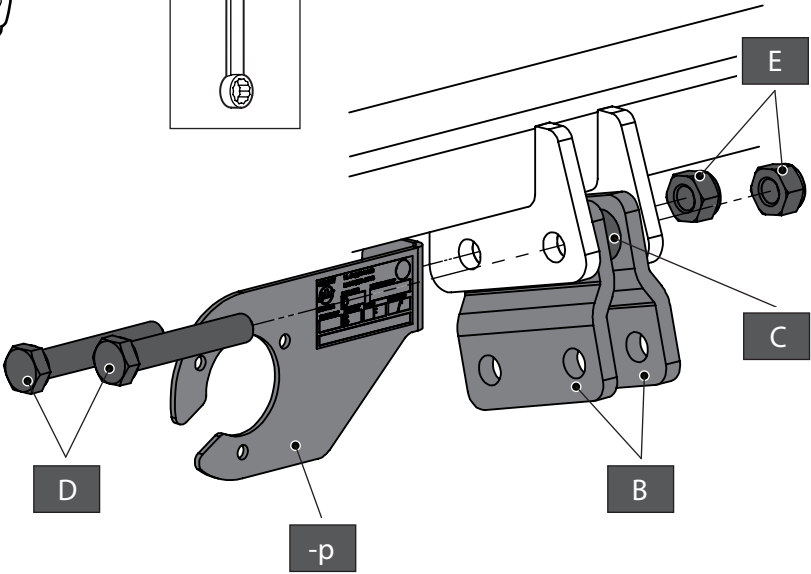
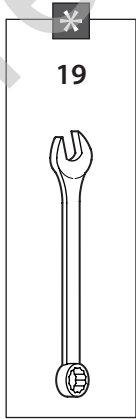
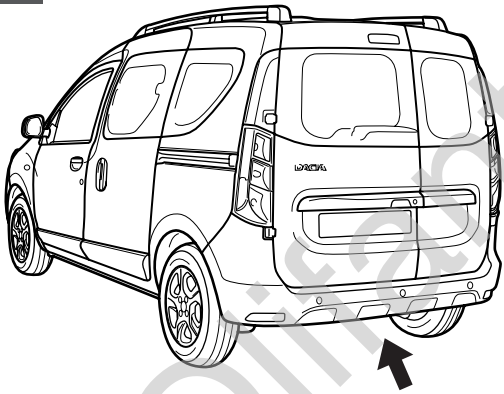
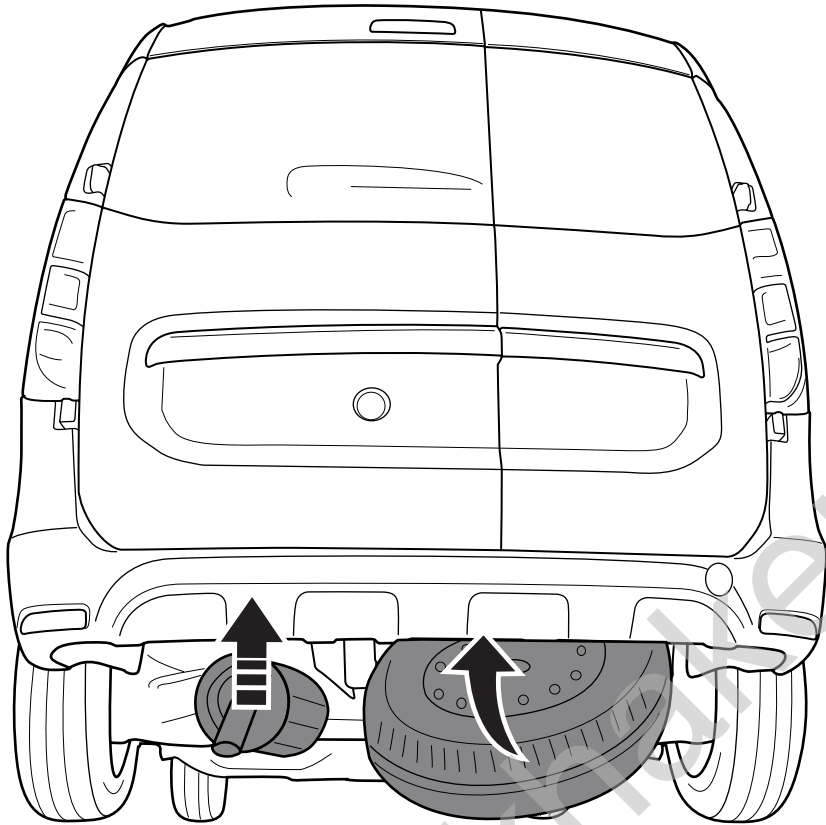
54,0 Nm

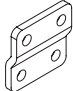


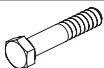


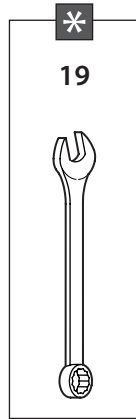
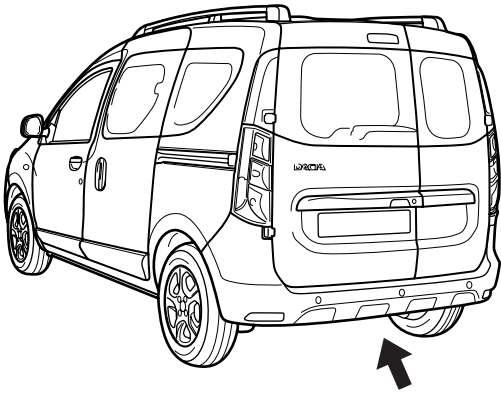
12



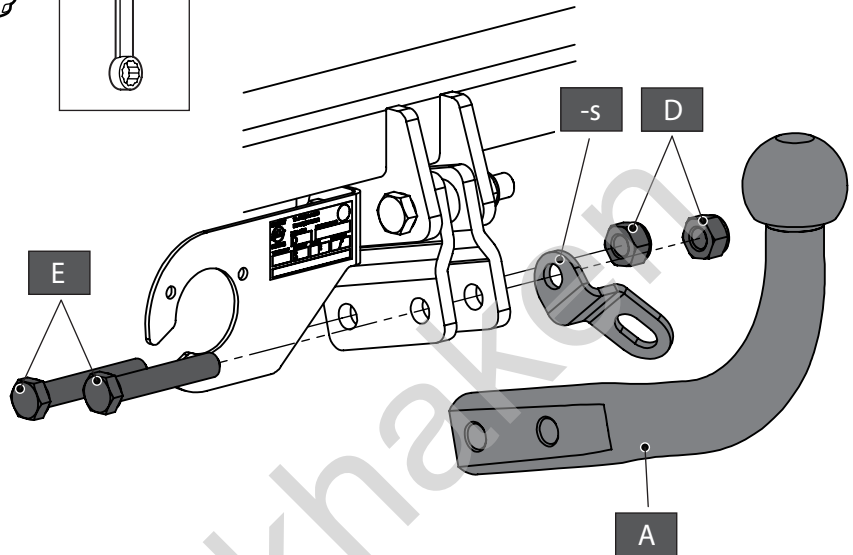




B		X2	GDW REF. 900.008
C		X2	GDW REF. 900.011 Ø 21,3 X 11,7
D		X2	DIN985-M12
E		X2	DIN931-M12 X 70

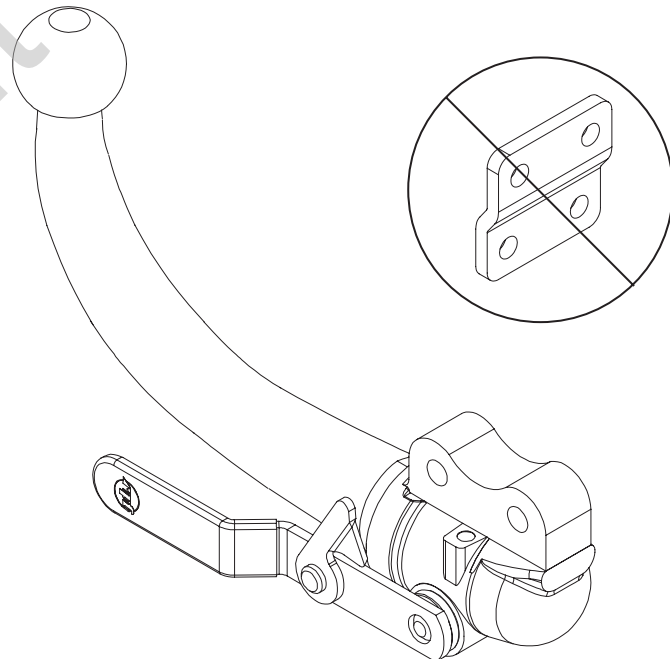


93,0 Nm



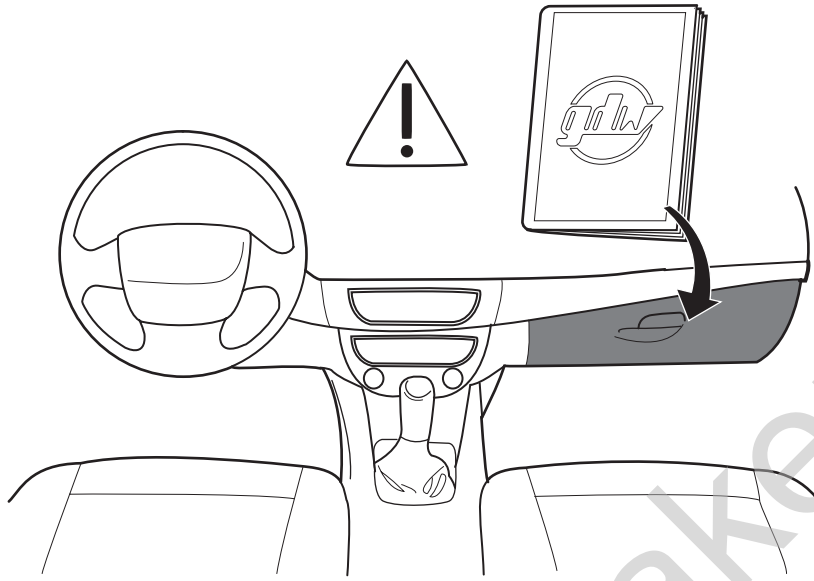
A		X1	944.J001
-S		X1	GDW REF. 900.053
D		X2	DIN985-M12
E		X2	DIN931-M12 X 70

Opties - Options - Options - Optionen - Opciones - Muligheder



OPTION T36

	X1	930.J001
	X2	DIN931-M12 X 70
	X2	DIN985-M12



Olifant trekhaken