



TREKHAKEN • ATTELAGES • ANHÄNGERVORRICHTUNGEN • TOWBARS • ENHANCES • ANHÆNGERTRÆK

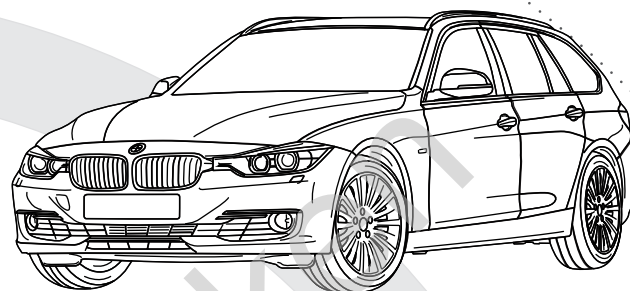
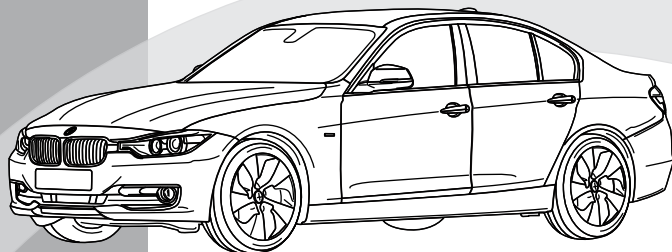
Montagehandleiding | instructions de montage | Einbauanleitung | Mounting instruction
Instrucciones de montaje | monteringsvejledning



BMW 3 F30 + F31

02/'12-

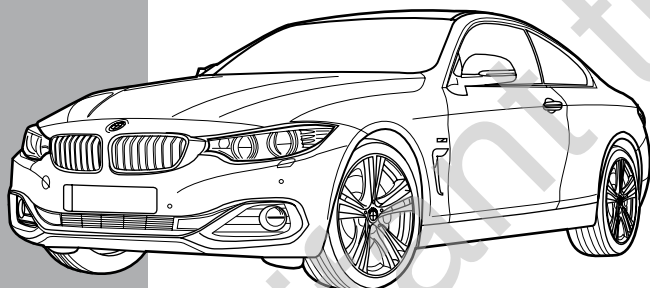
✓ STANDARD ✓ M SPORT PACKAGE



BMW 4 Coupé F32

09/'13-

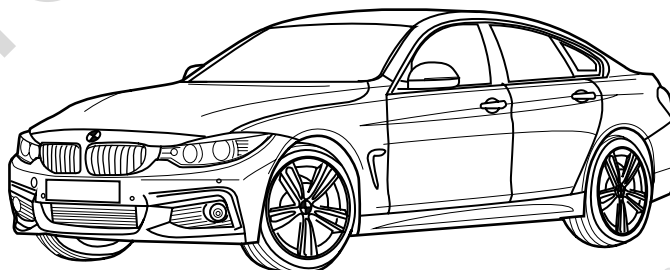
✓ STANDARD ✓ M SPORT PACKAGE



BMW 4 Gran Coupé F36

07/'14-

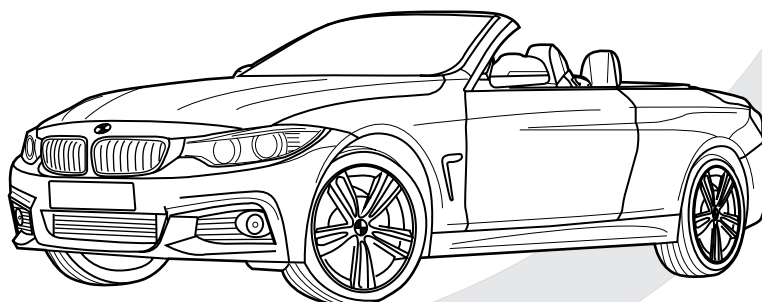
✓ STANDARD ✓ M SPORT PACKAGE




BMW 4 Cabrio F33

03/'14-

✓ STANDARD ✓ M SPORT PACKAGE



See the Certificate Of Conformity (COC) of your vehicle or contact your dealer to verify the max. trailer weight of your car!

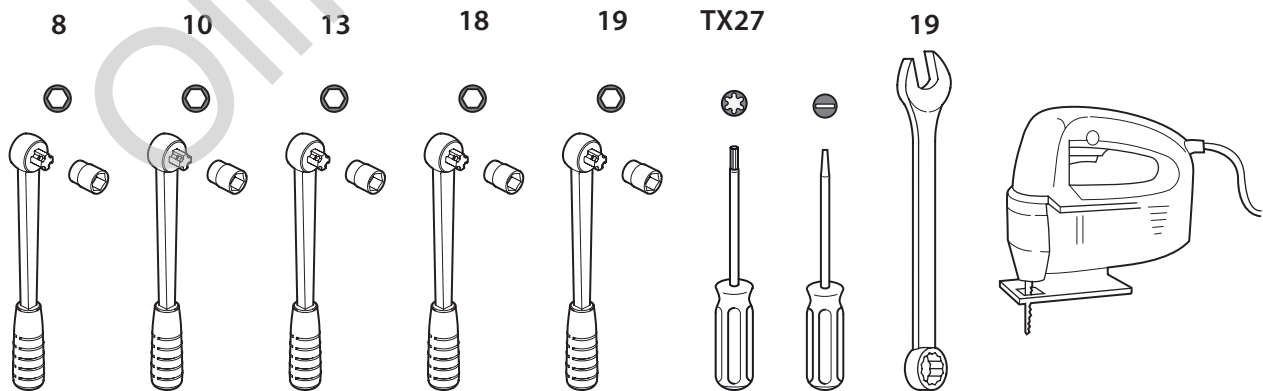
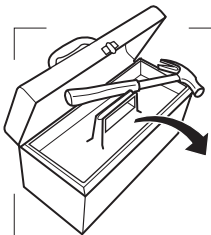
MADE BY	D 10,20	F	E6
		EC APPROVAL N°	
BELGIUM	S 80	55R-010953	
REF N°	1920T60	SERIE N°	XXXX
OMSCHRIJVING	BMW 3 F30 & F31 + BMW 4 F32 & F33 & F36		

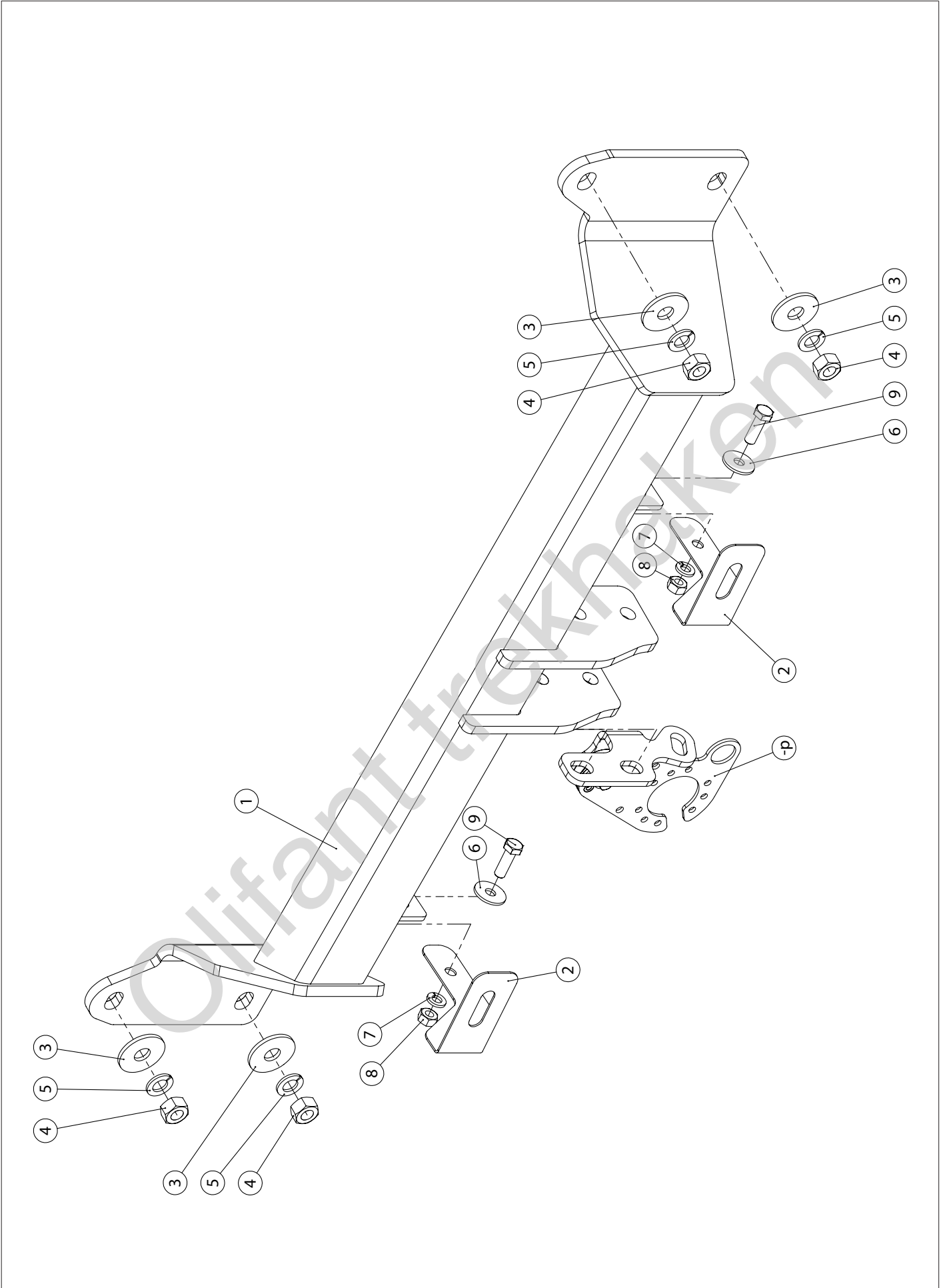
$$D = \frac{\text{max kg (car)} \times \text{max kg (trailer)}}{\text{max kg (car)} + \text{max kg (trailer)}} \times 0.00981 \leq 10.20 \text{ kN}$$

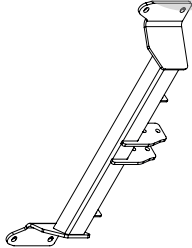




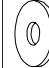
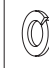


$$S = \text{hook} = 80 \text{ kg} \quad \text{trailer} = 1950 \text{ kg}$$

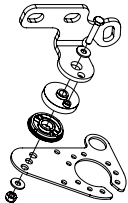




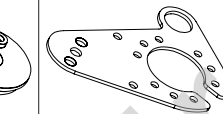

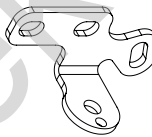


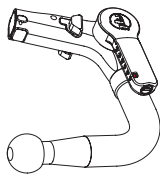
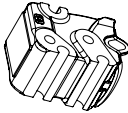

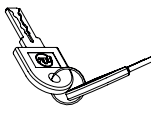

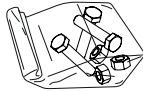
	M 6	M 8	M 10		M 12			M 14		M 16
	1	1,25	1,5	(1,25)	1,75	(1,5)	(1,25)	1,75	(1,5)	2
8.8	11,3 Nm	27,3 Nm	54,0 Nm	57,0 Nm	93,0 Nm	97,0 Nm	101,0 Nm	148,0 Nm	159,0 Nm	230,0 Nm
10.9	16,5 Nm	40,1 Nm	79,0 Nm	83,0 Nm	137,0 Nm	143,0 Nm	149,0 Nm	218,0 Nm	234,0 Nm	320,0 Nm
12.9	19,3 Nm	46,9 Nm	93,0 Nm	98,0 Nm	160,0 Nm	167,0 Nm	174,0 Nm	255,0 Nm	274,0 Nm	395,0 Nm



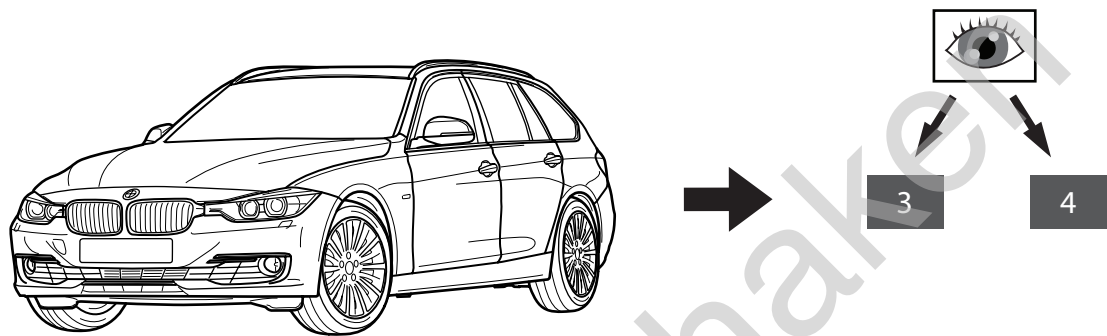


1		X1	GDW REF. 1920130
2		X2	GDW REF. 2
3		X4	DIN9021-M12-ELVZ
4		X4	DIN934-M12X1,5
5		X4	DIN128A-M12
6		X2	DIN9021-M8-ELVZ
7		X2	DIN128A-M8
8		X2	DIN934-M8
9		X2	DIN933-M8X25

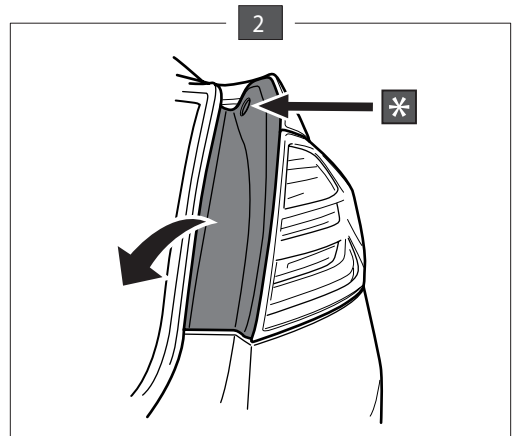
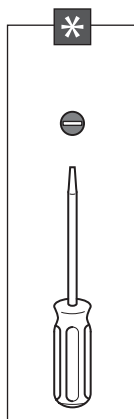
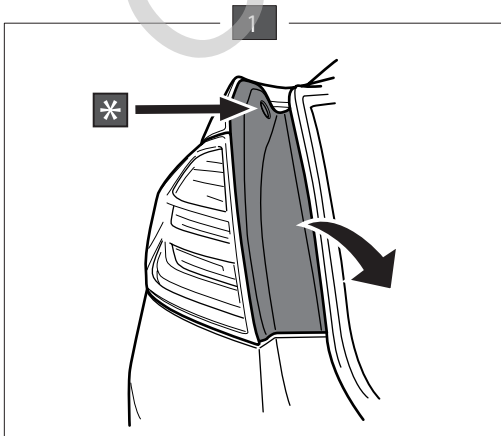
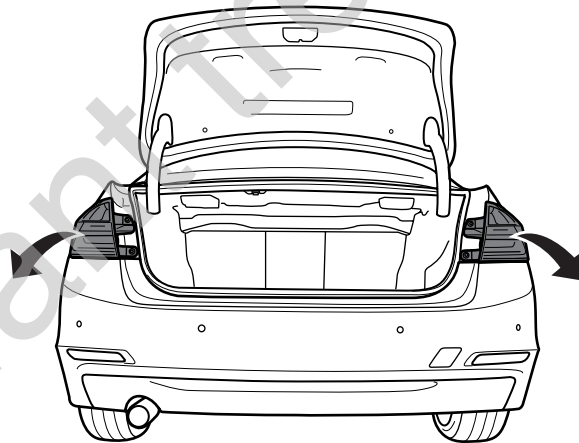
-P		X1	GDW REF. P36
↑		X1	DIN985-M6
↑		X2	6,2 X 15,4 X 1,6 (NYLON)
↑		X1	GDW REF. 718.16.002
↑		X1	GDW REF. 718.16.003
↑		X1	GDW REF. 908.094
↑		X1	DIN933-M6 X 30
↑		X1	908.092

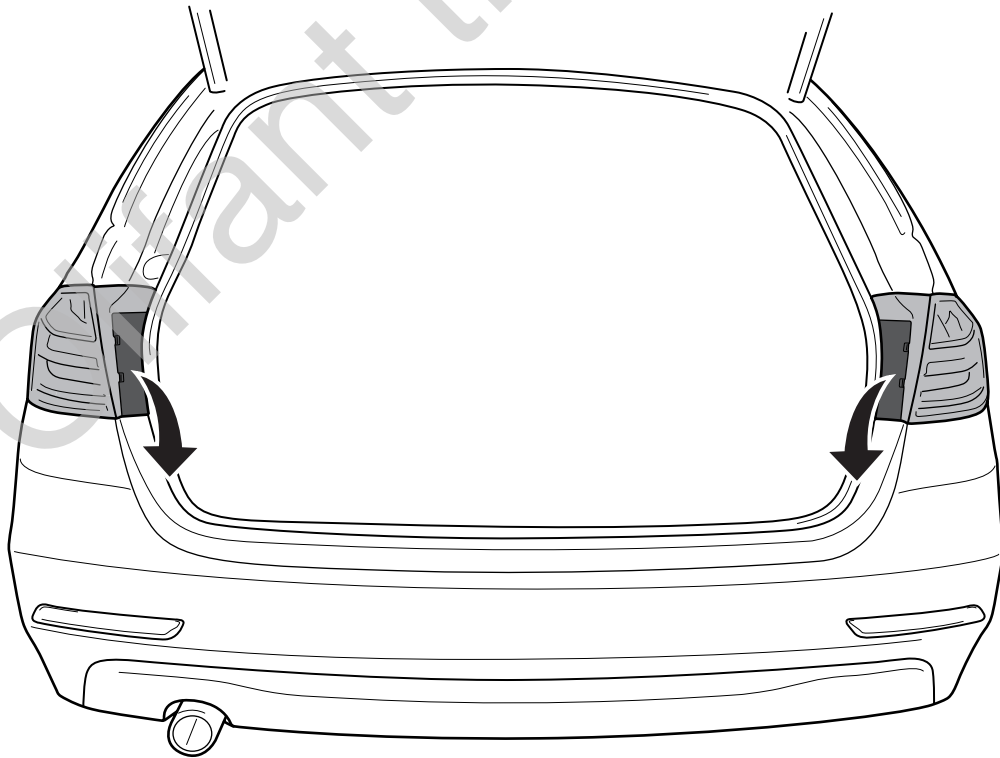
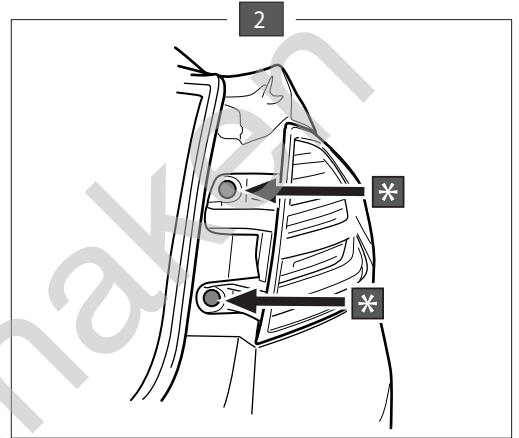
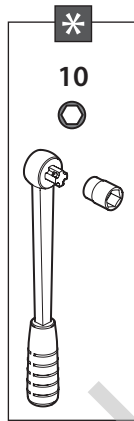
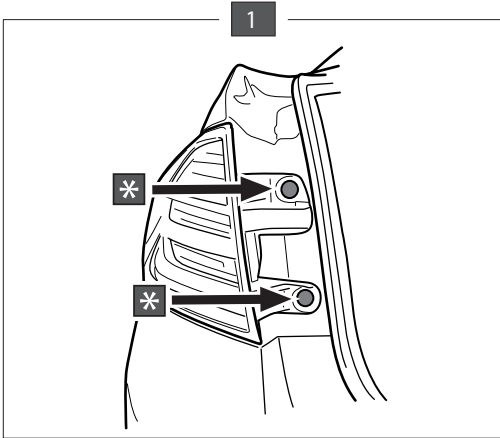
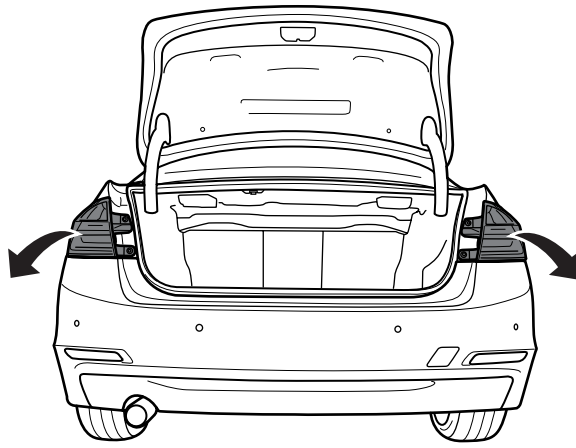
Geleverd met - Livré avec - Delivered with Geliefert mit - Elementos adjuntos - Levers med		X1	GDW REF. 960.V0810
	↑	X1	GDW REF. 740.200
		X1	GDW REF. 912.003
		X1	GDW REF. 740.112
	↑	X1	GDW REF. 740.111
		X1	GDW REF. 740.114
		X1	GDW REF. 718.15.001
		X1	GDW REF. SYST60-200
	↑	X2	DIN933-M12 X 25
	↑	X2	DIN933-M12 X 20
	↑	X4	Ø 14 X 24 X 1
	↑	X4	DIN128A-M12

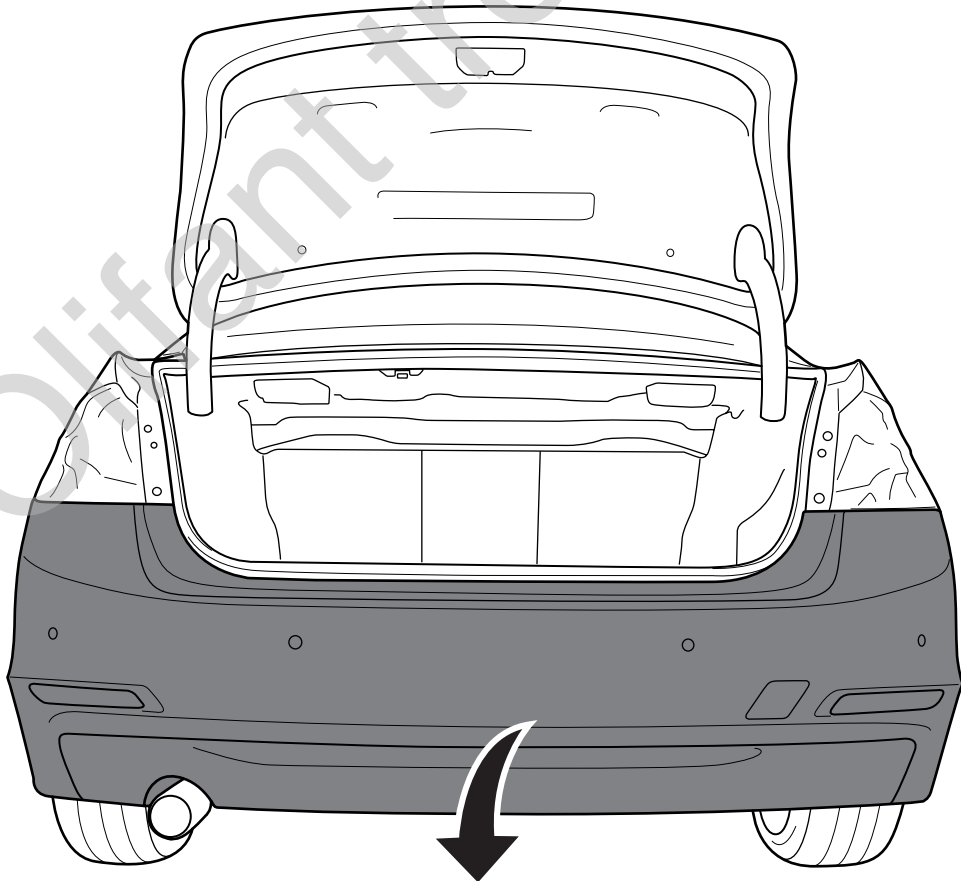
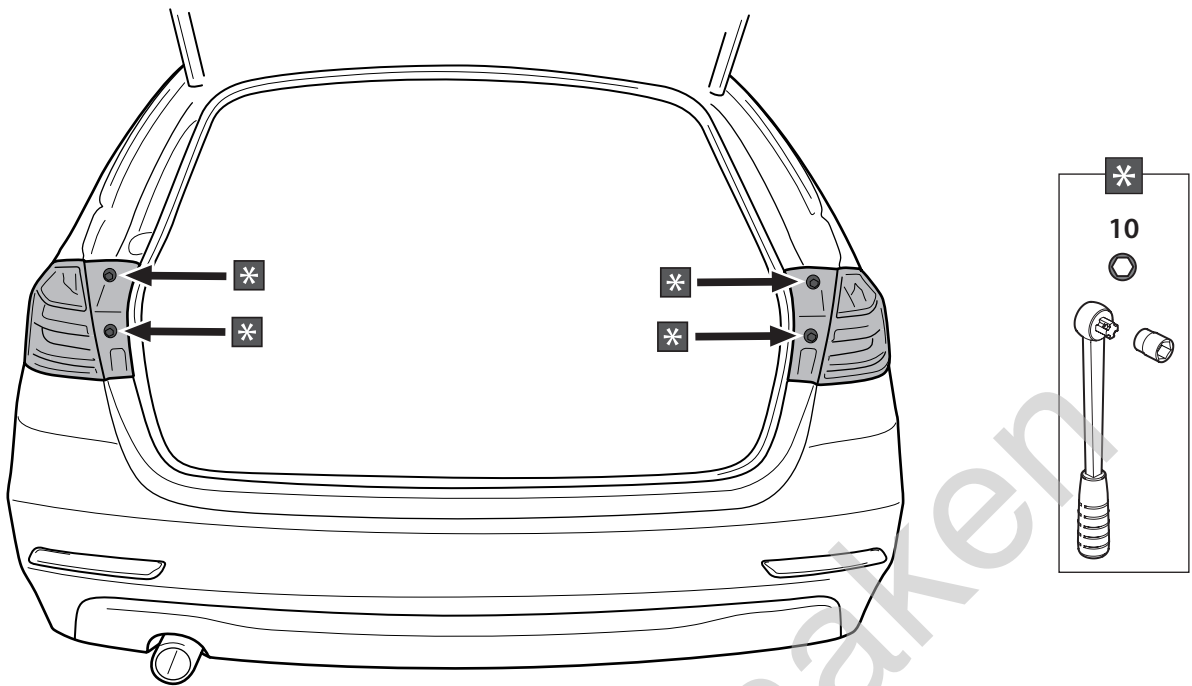
!



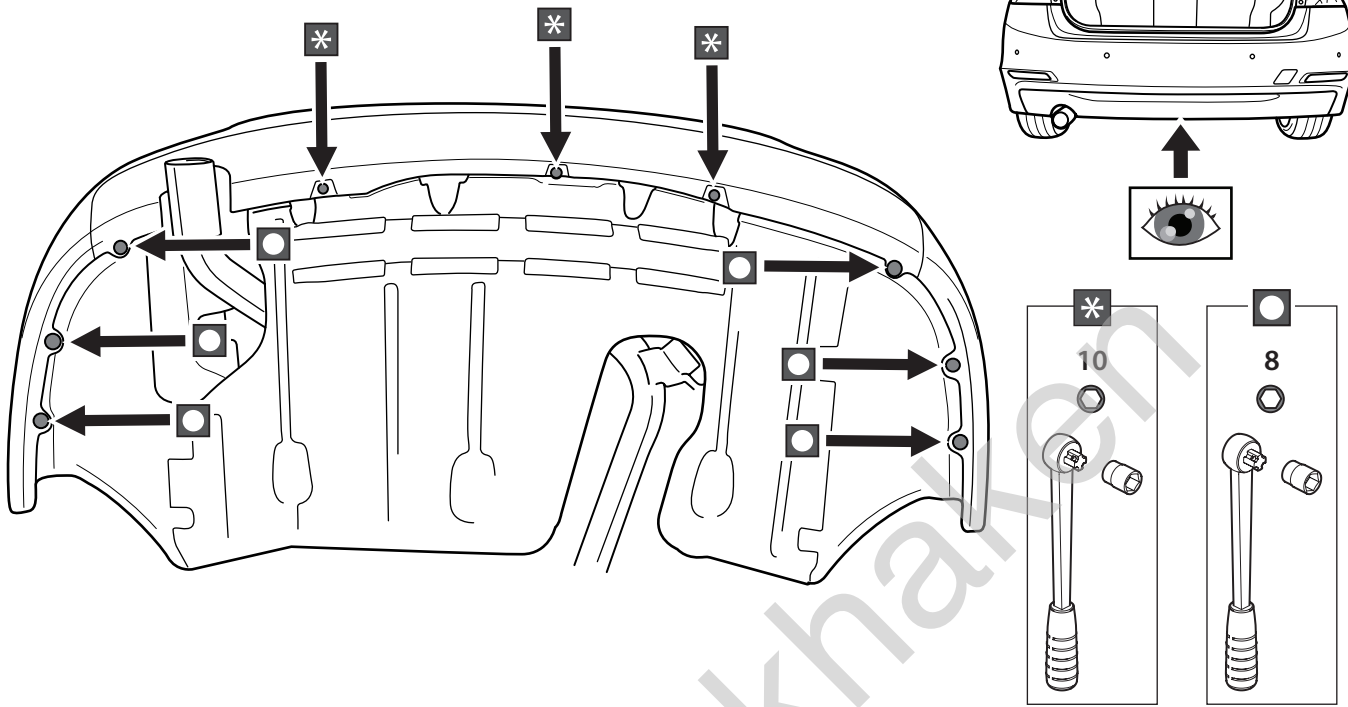
1



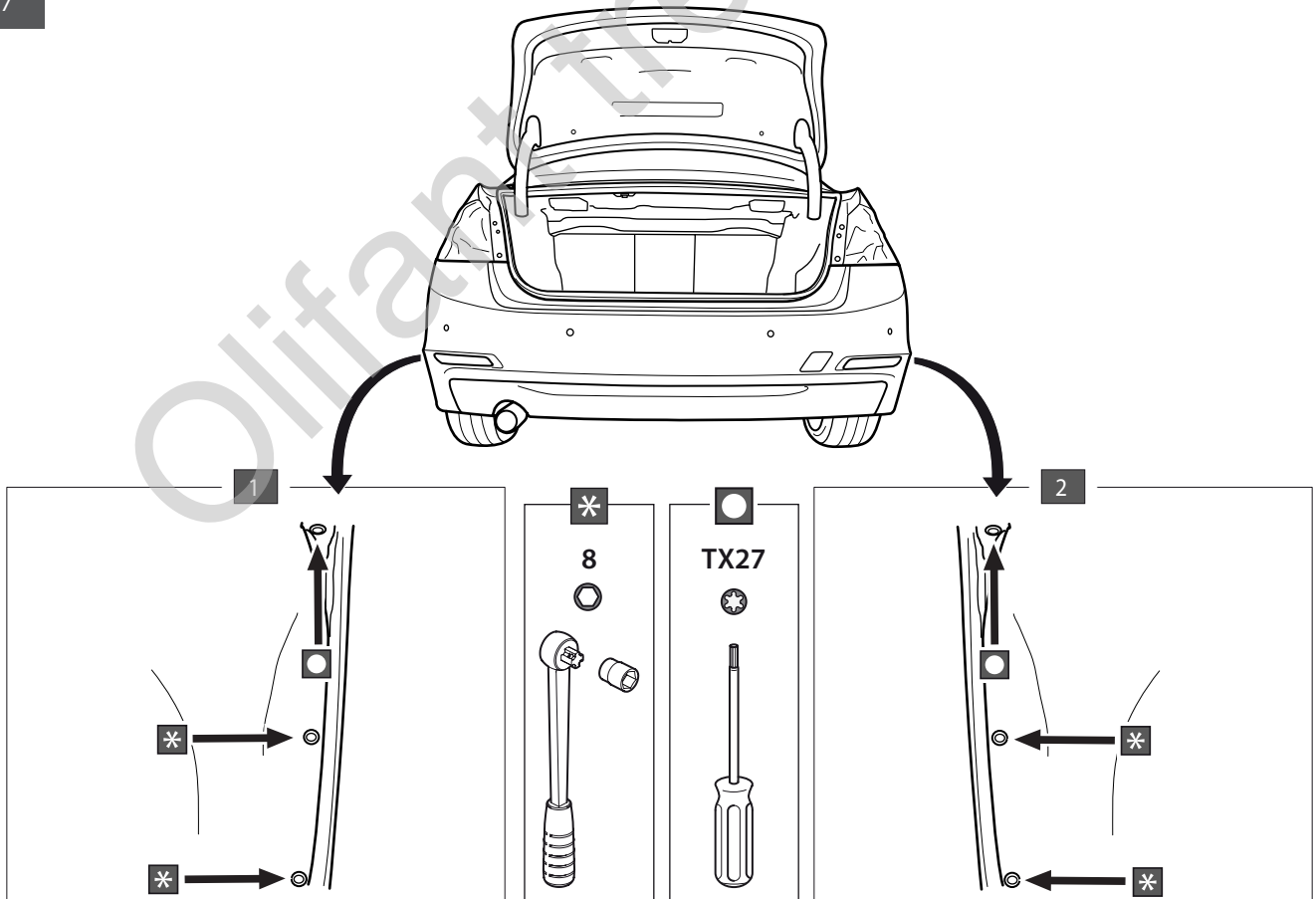


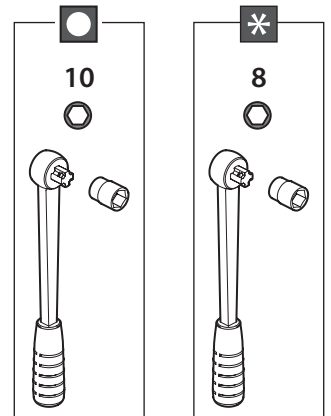
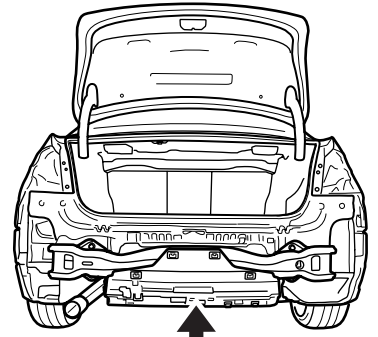
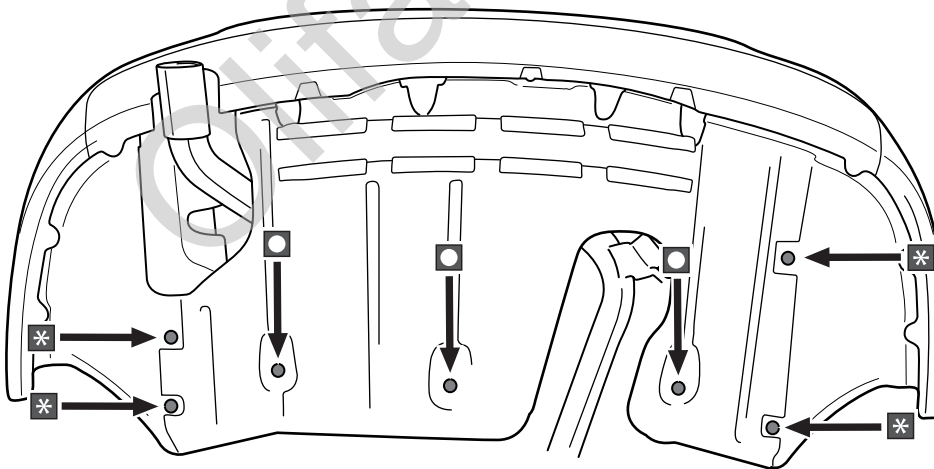
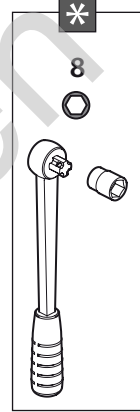
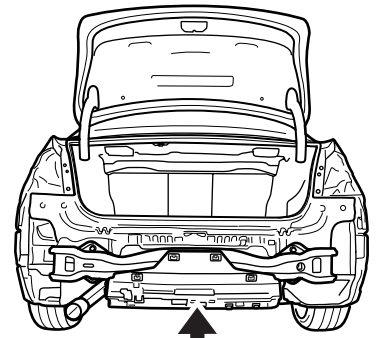
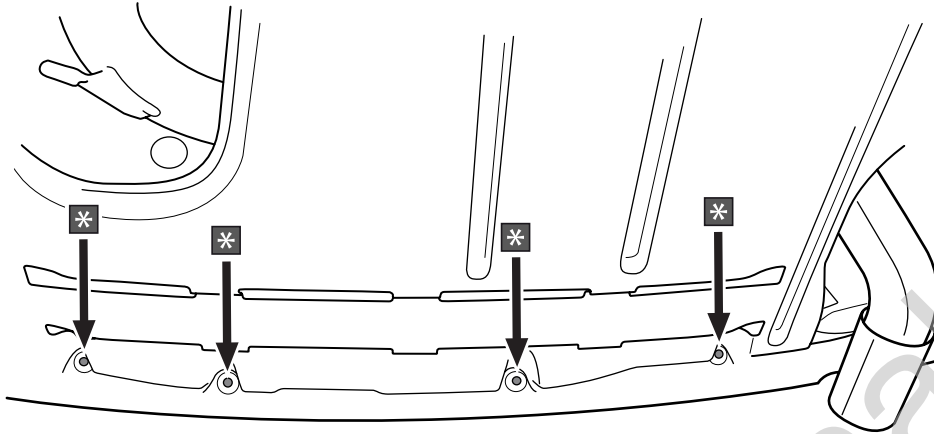


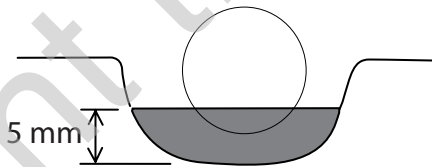
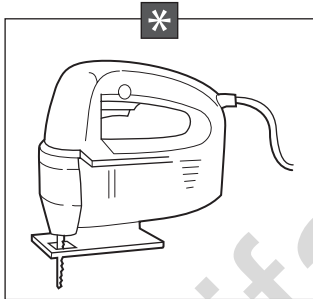
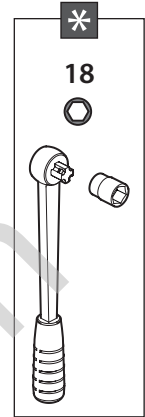
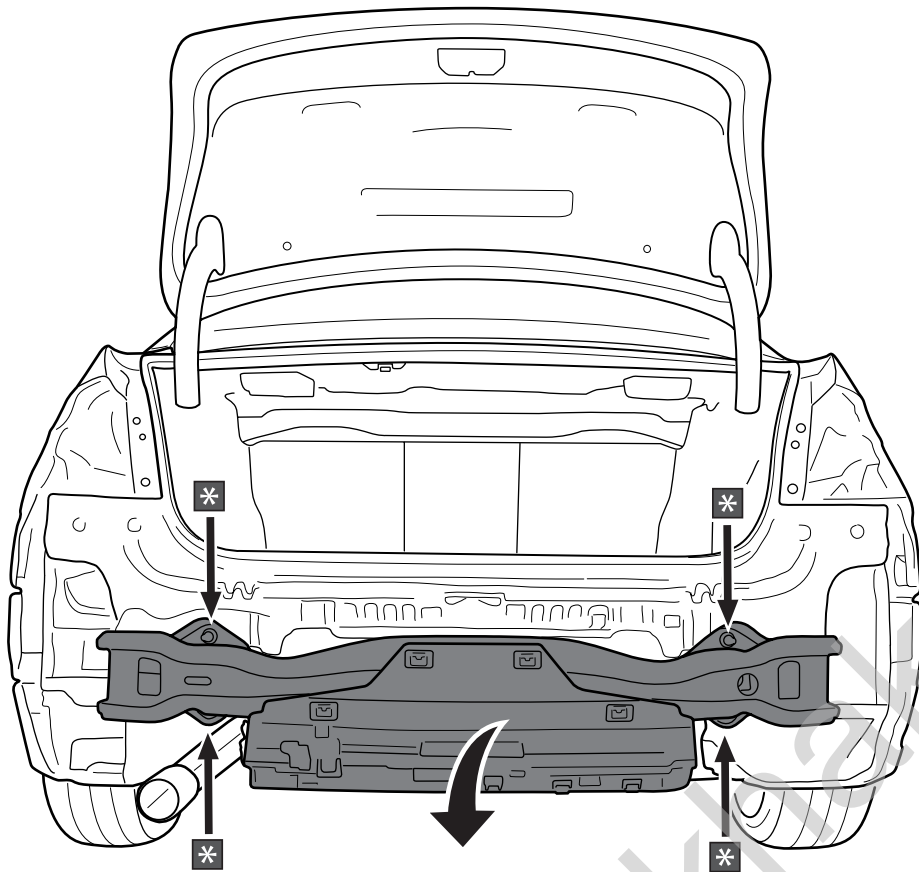
6



7







F31!

