



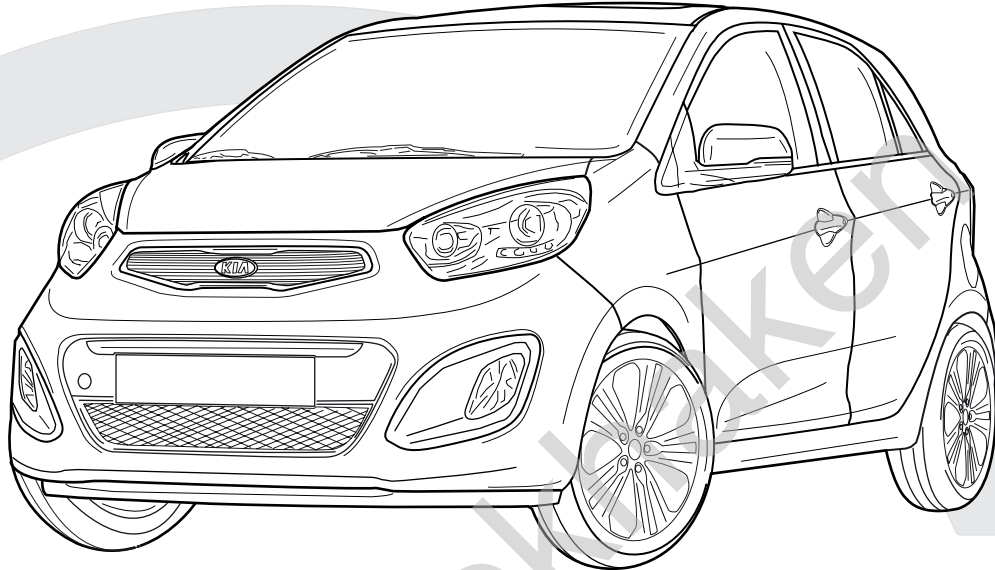
TREKHAKEN • ATTELAGES • ANHÄNGERVORRICHTUNGEN • TOWBARS • ENHANCES • ANHÆNGERTRÆK

Montagehandleiding | instructions de montage | Einbauanleitung | Mounting instruction
Instrucciones de montaje | monteringsvejledning



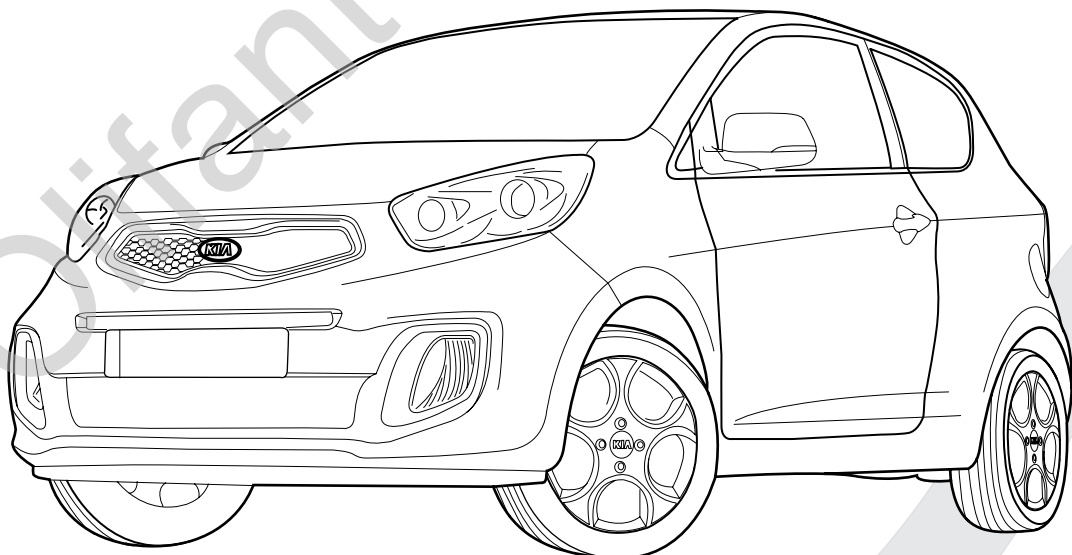
Kia Picanto 5D


04/'11-




Kia Picanto 3D

04/'11-

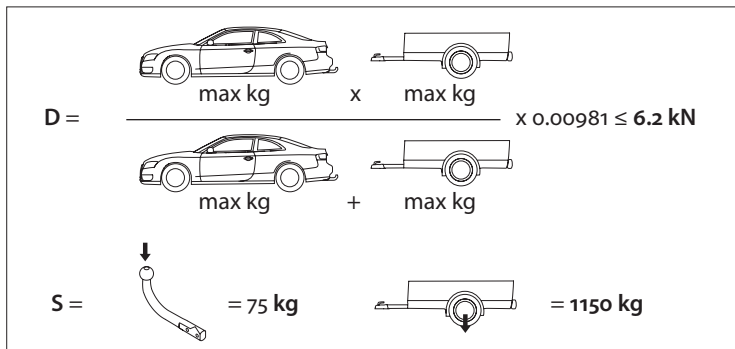



MADE BY **D6.2** **F** 

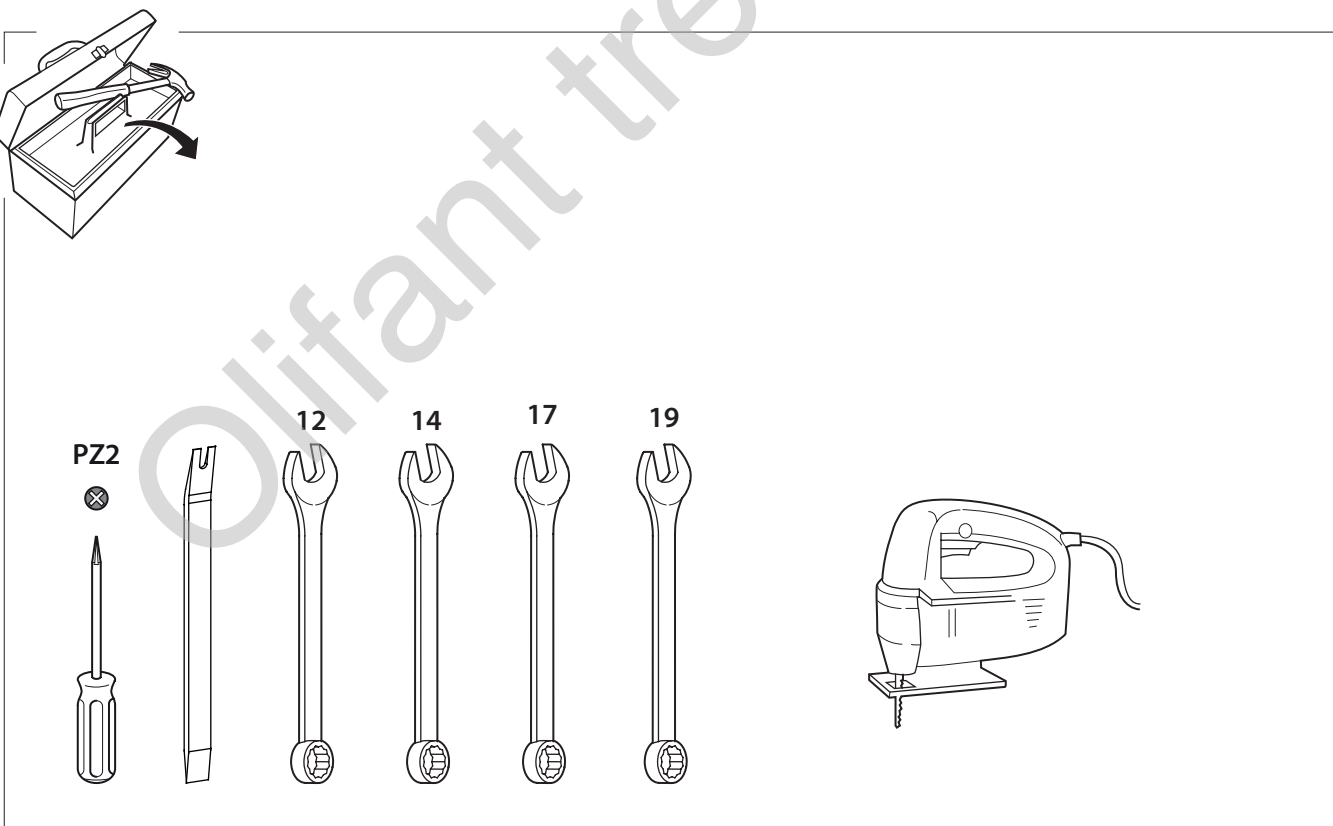
 BELGIUM **S 75** EC APPROVAL N° **55R - 011195**

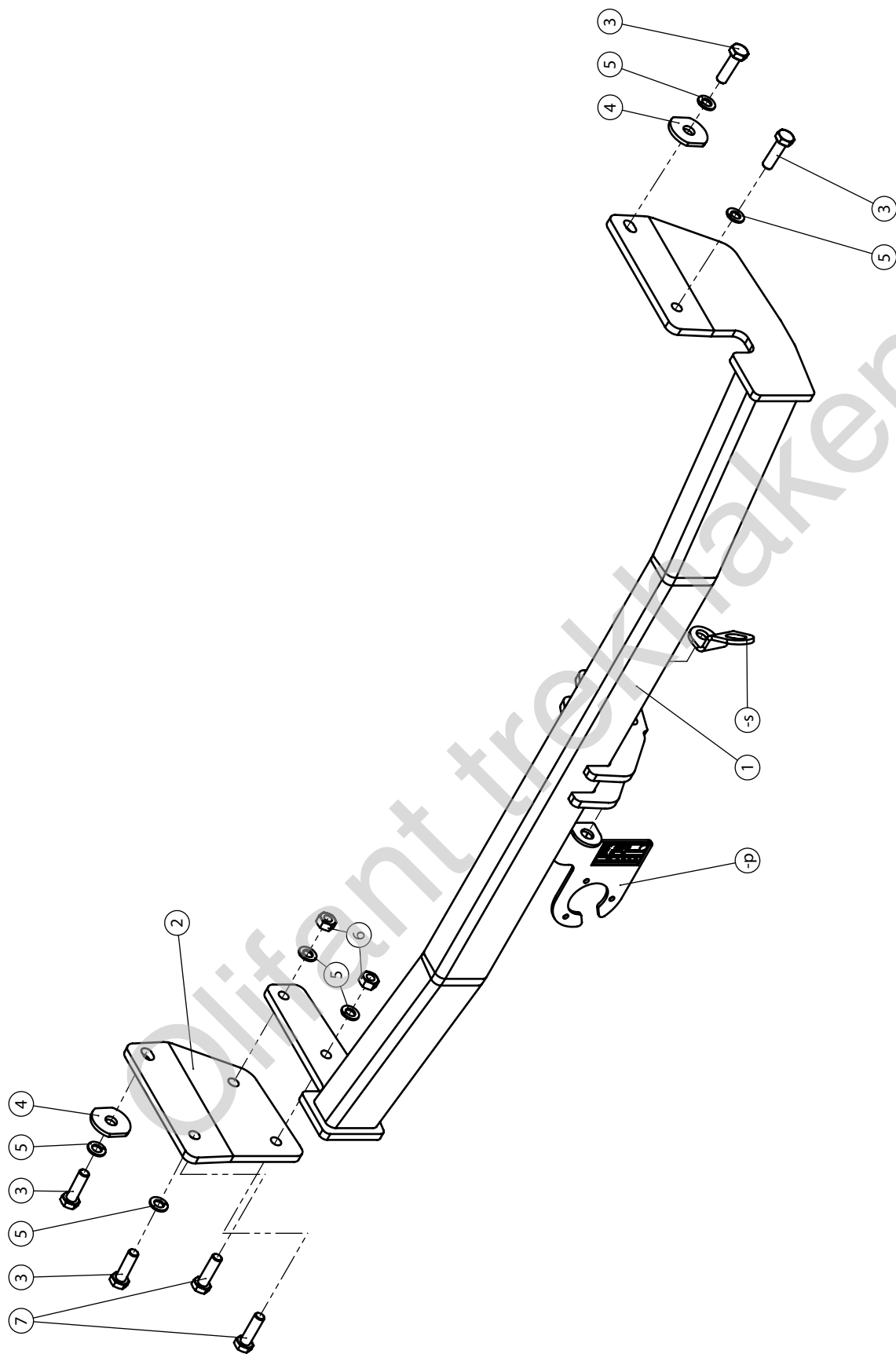
REF N° **1873** SERIE N° **XXXX**

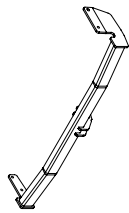
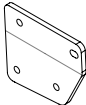



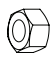


OMSCHRIJVING
Kia Picanto 04/'11-

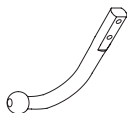
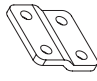







	M 6	M 8	M10		M12			M14		M16
	1	1,25	1,5	(1,25)	1,75	(1,5)	(1,25)	1,75	(1,5)	2
8.8	11,3 Nm	27,3 Nm	54,0 Nm	57,0 Nm	93,0 Nm	97,0 Nm	101,0 Nm	148,0 Nm	159,0 Nm	230,0 Nm
10.9	16,5 Nm	40,1 Nm	79,0 Nm	83,0 Nm	137,0 Nm	143,0 Nm	149,0 Nm	218,0 Nm	234,0 Nm	320,0 Nm
12.9	19,3 Nm	46,9 Nm	93,0 Nm	98,0 Nm	160,0 Nm	167,0 Nm	174,0 Nm	255,0 Nm	274,0 Nm	395,0 Nm

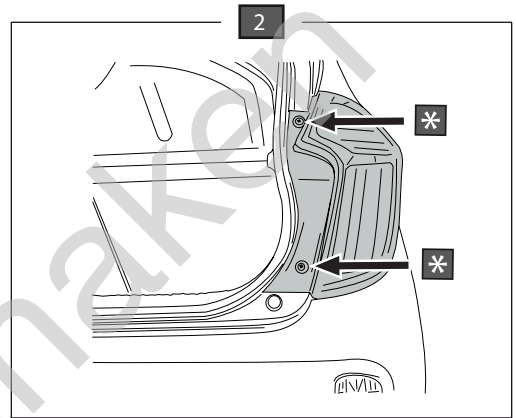
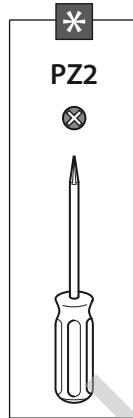
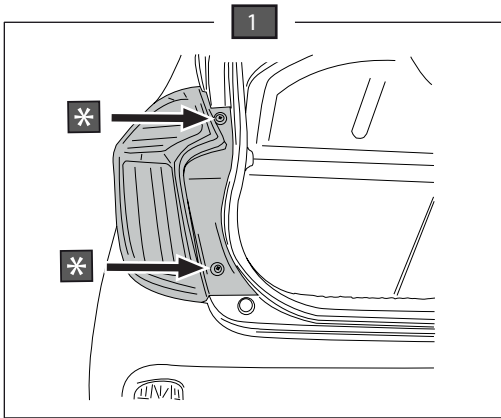
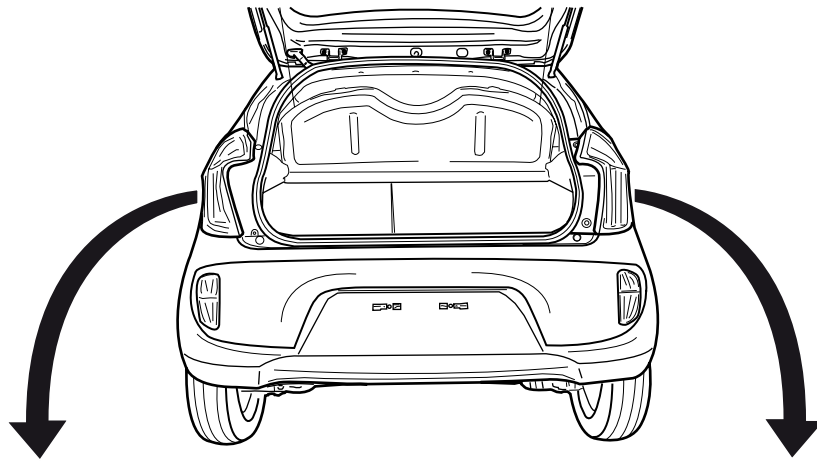




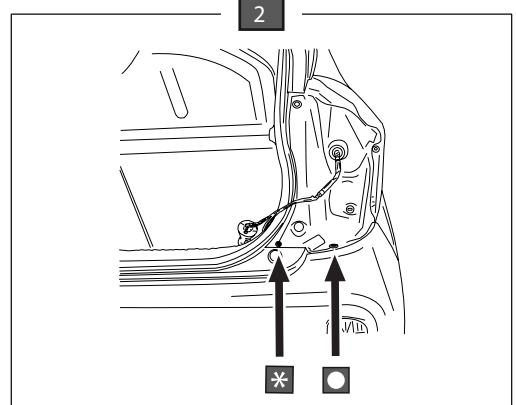
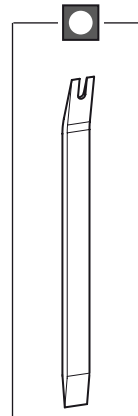
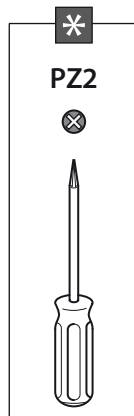
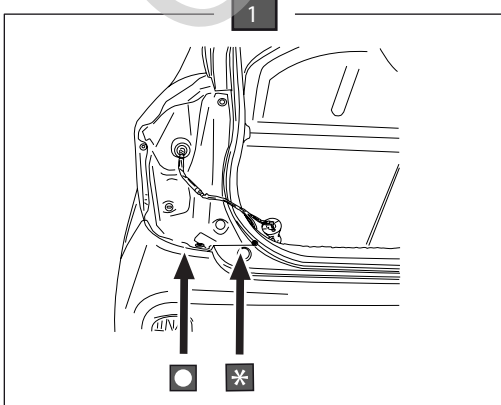
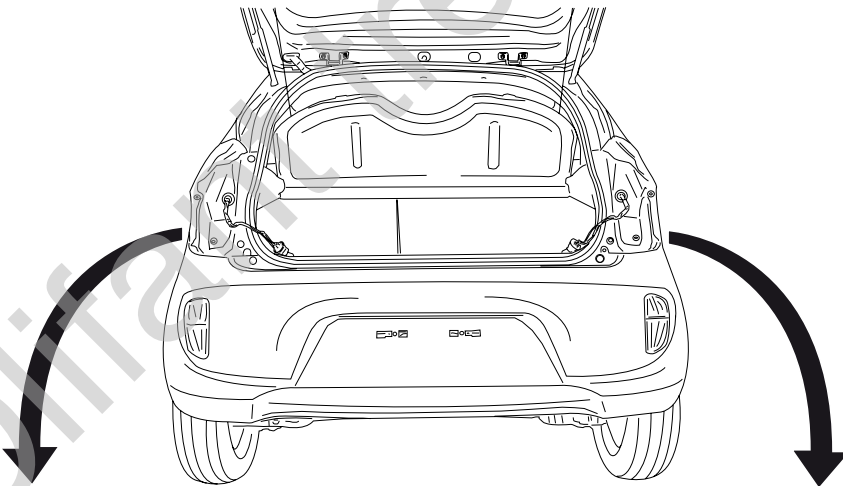
1		X1	GDW REF. 1873
2		X1	GDW REF. 2
3		X4	DIN 961-M10X35-1,25
4		X2	GDW REF. 905.003
5		X6	DIN 128A-M10
6		X2	DIN 934-M10
7		X2	DIN 933-M10X35
-P		X1	GDW REF. PO4

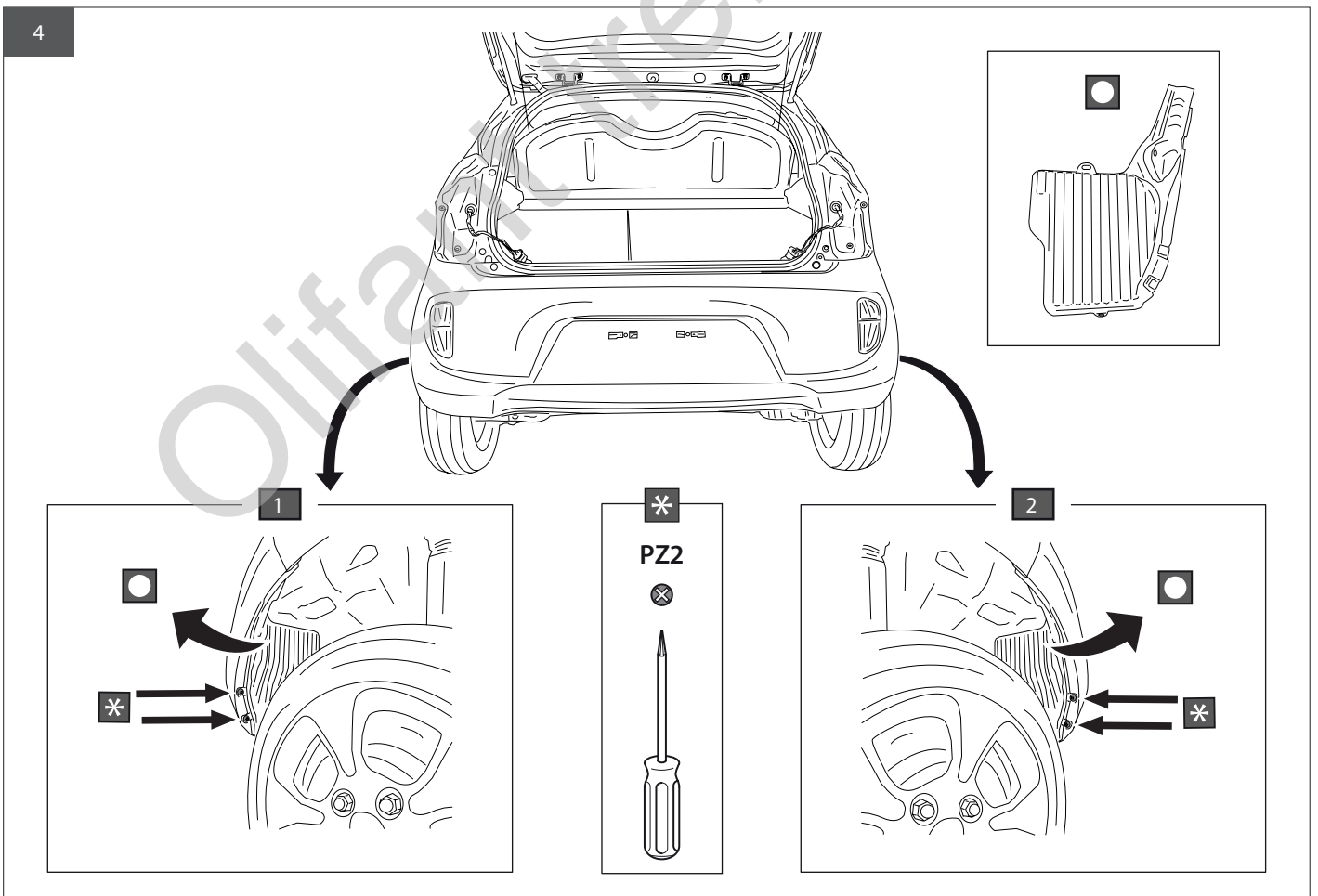
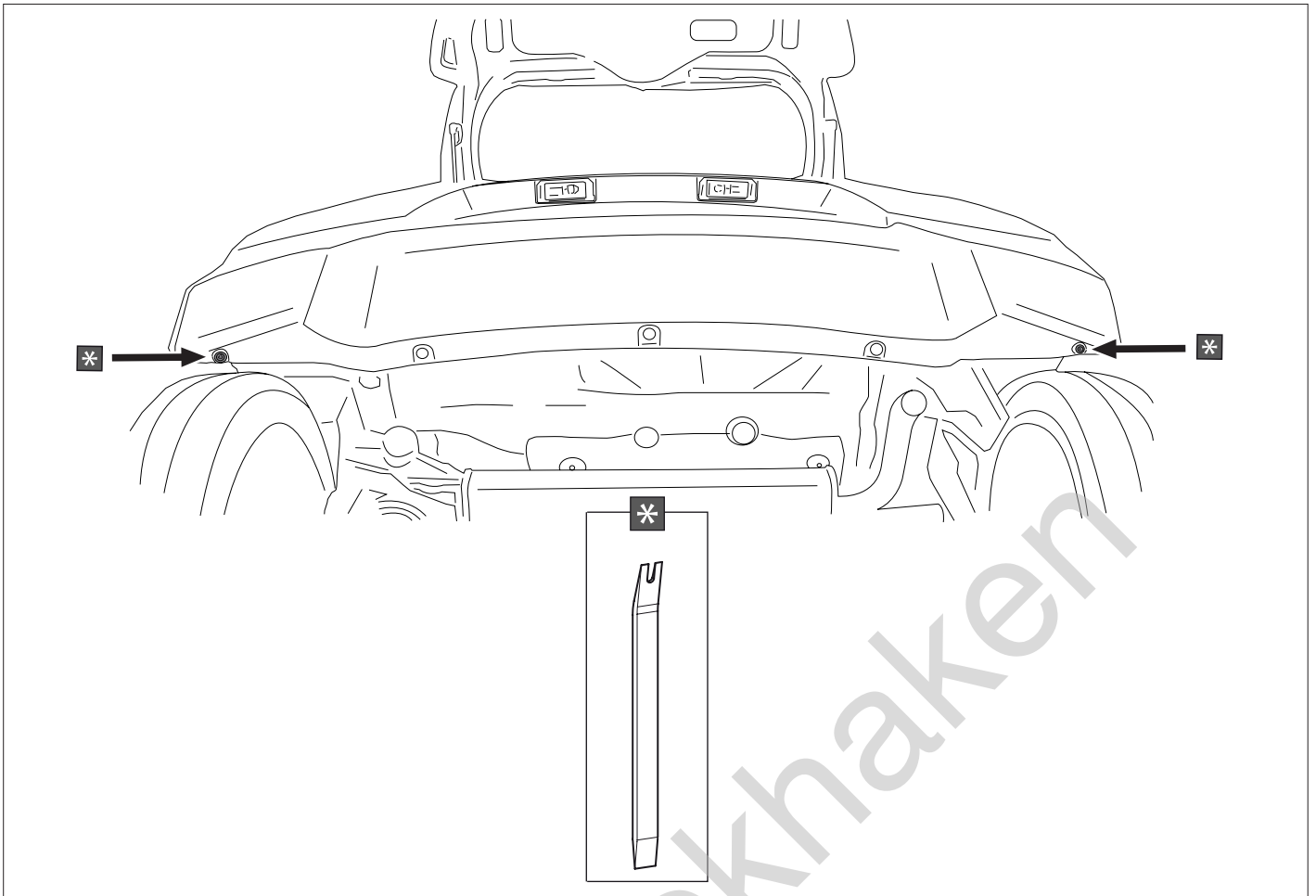
Geleverd met - Livré avec - Delivered with Geliefert mit - Elementos adjuntos - Levers med		X1	944.L001
		X2	GDW REF. 900.008
		X2	GDW REF. 900.011 Ø 21.3 X 11.7
		X1	GDW REF. 900.053
		X4	DIN931-M12 X 70
		X4	DIN985-M12

1

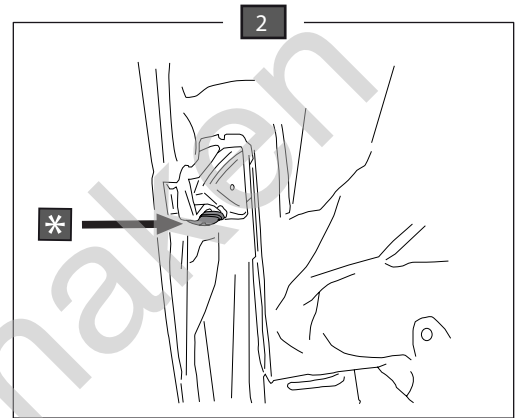
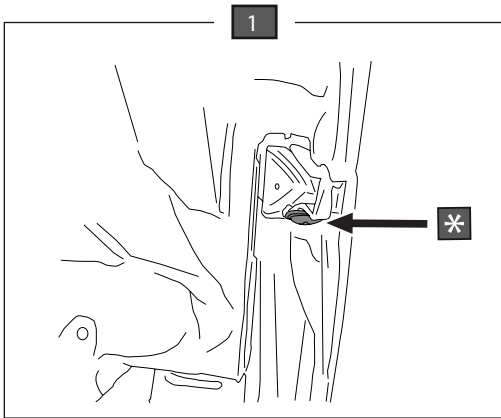
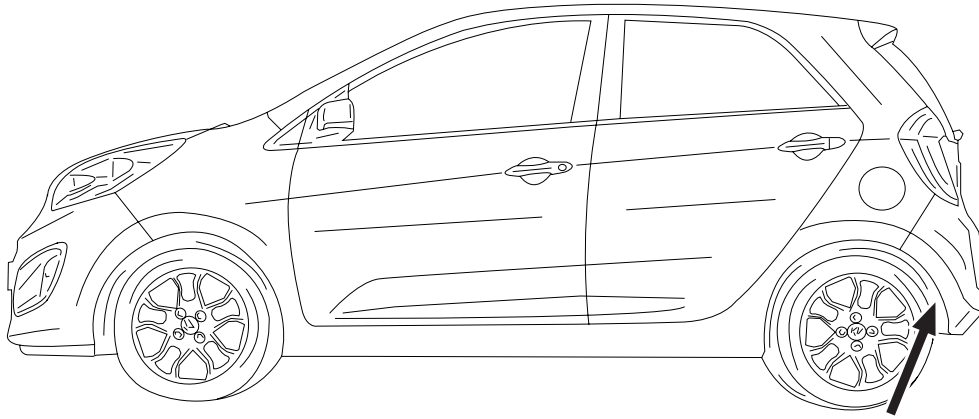


2

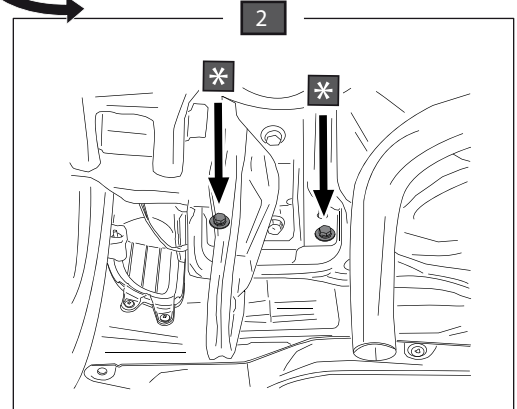
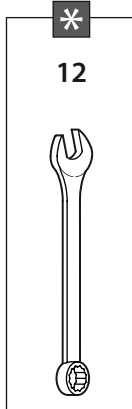
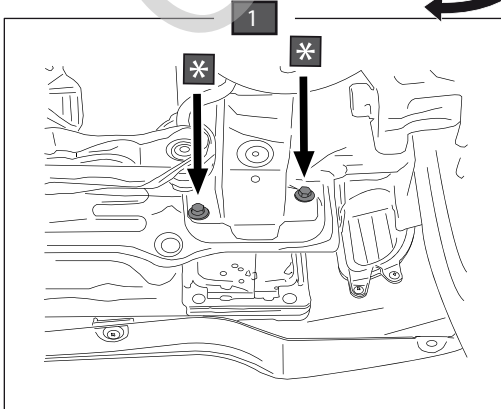
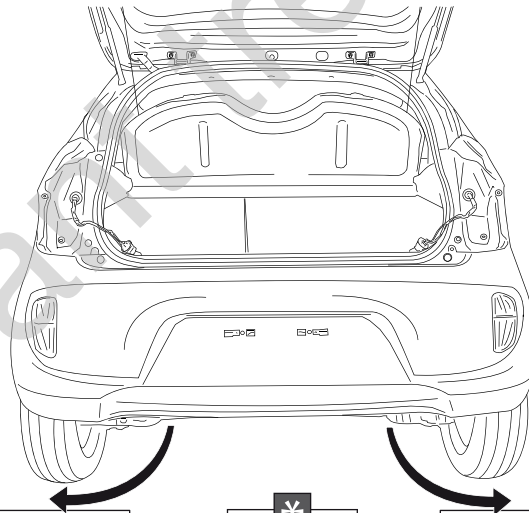




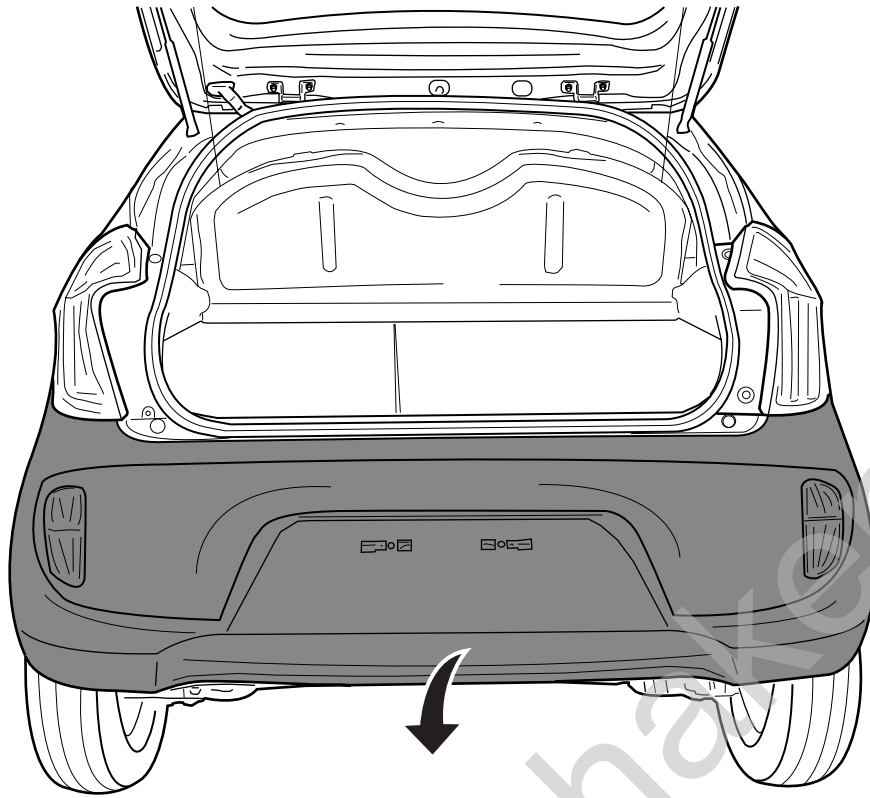
5



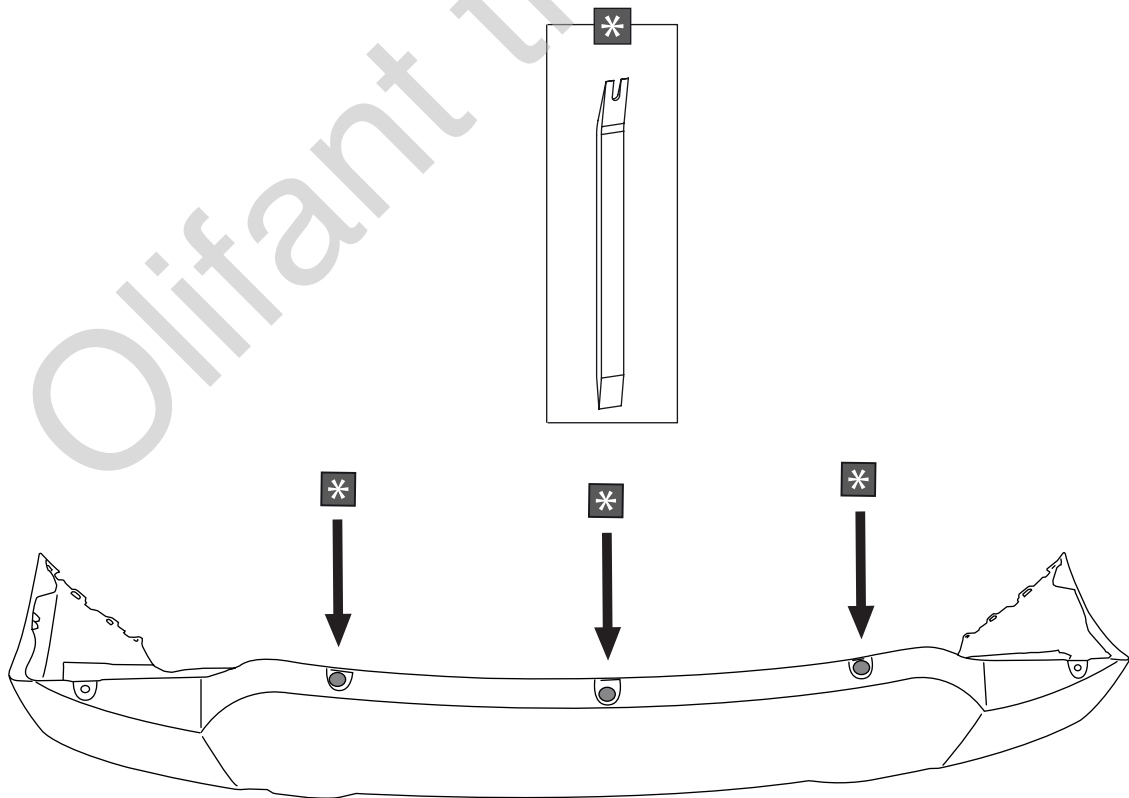
6

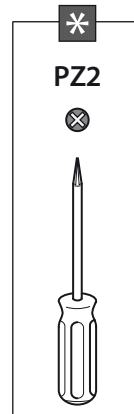
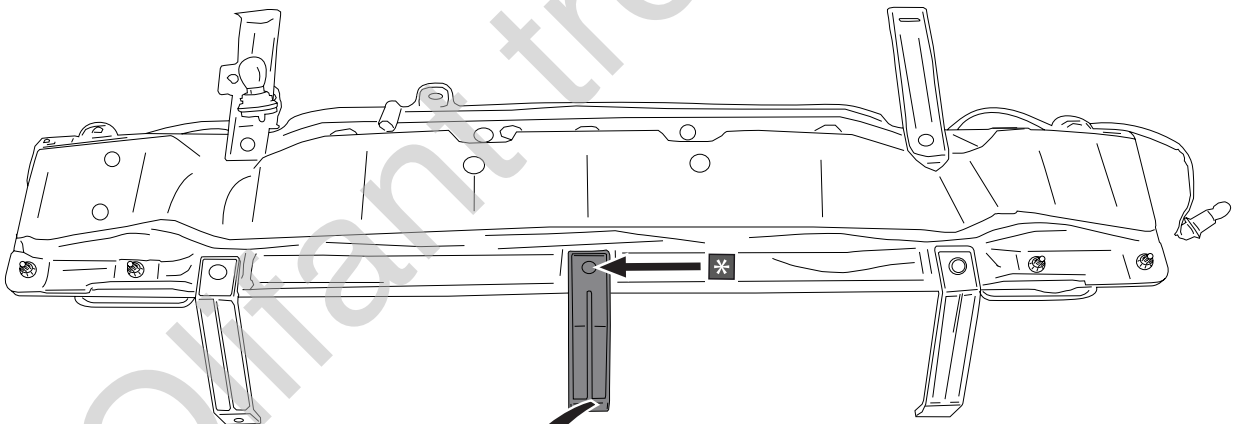
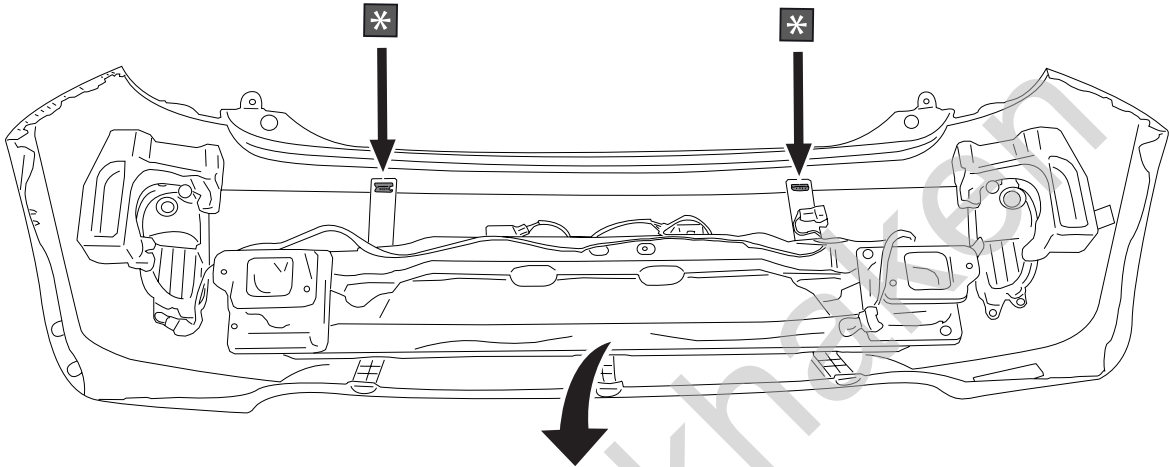
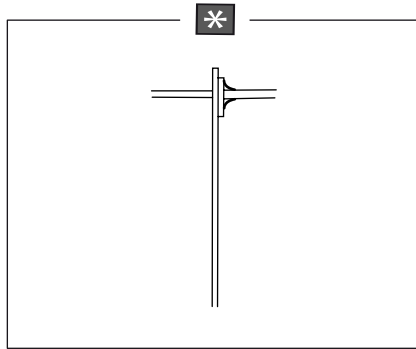


7

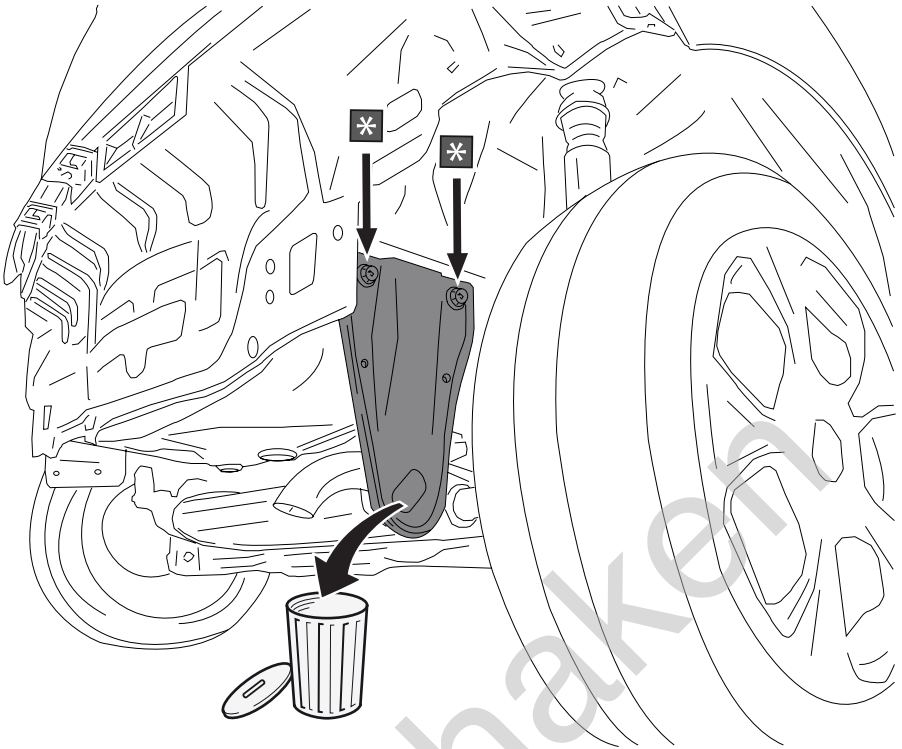
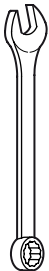


8

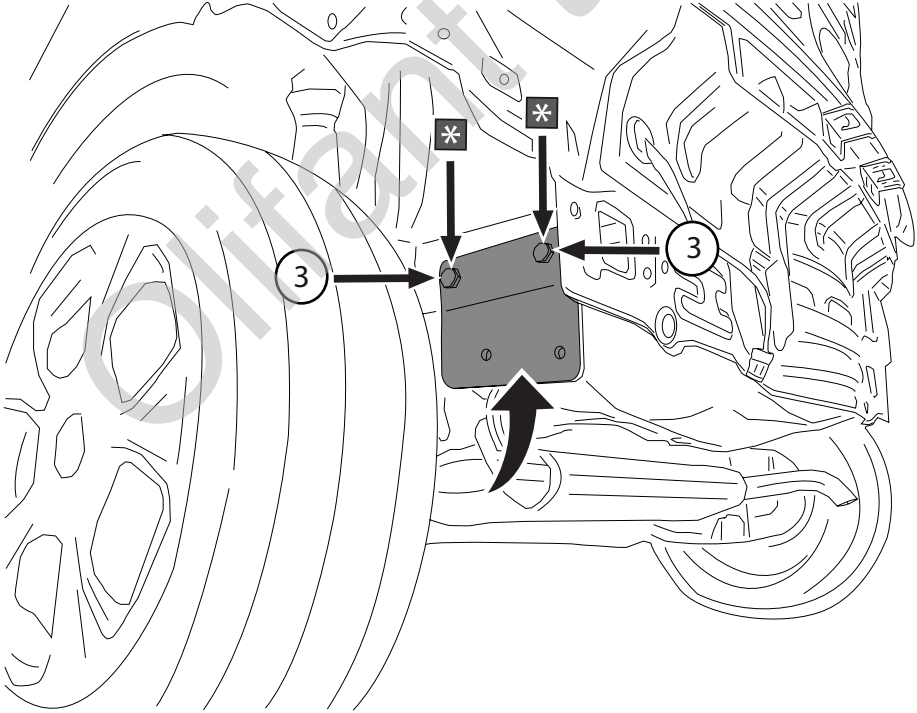
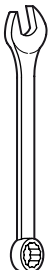


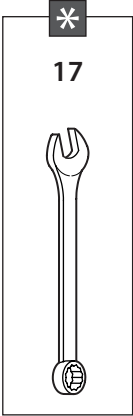
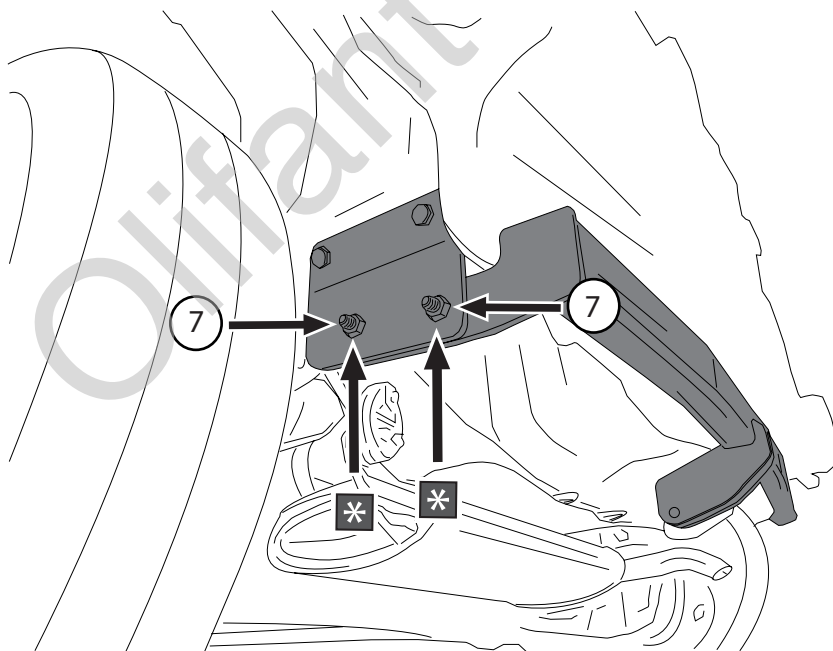
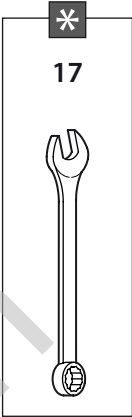
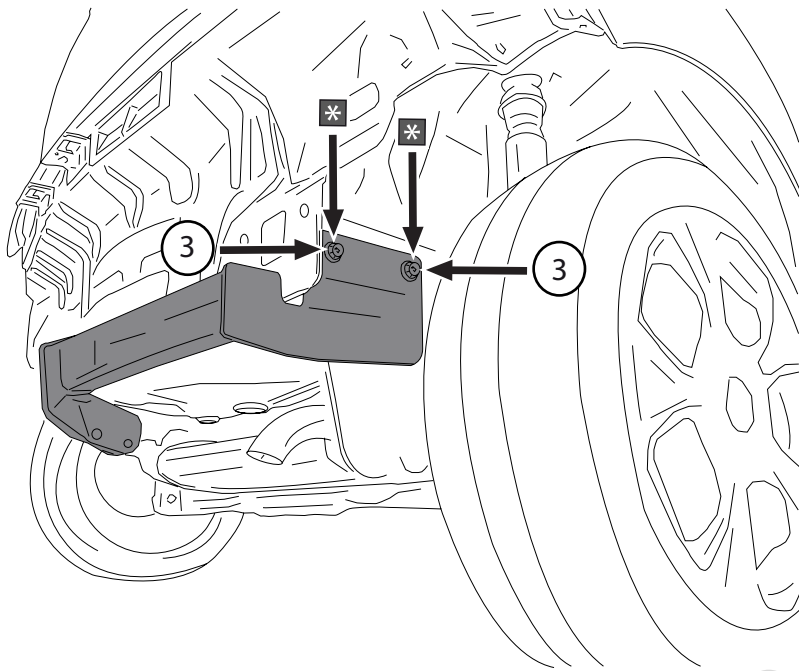


*
14

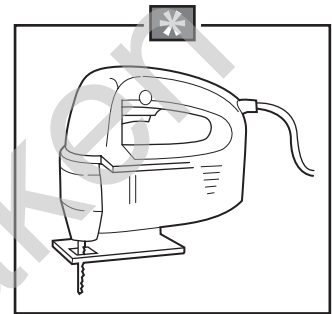
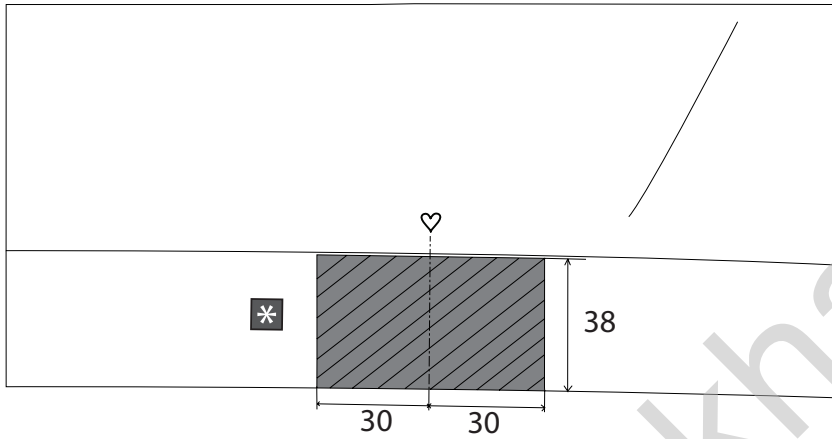
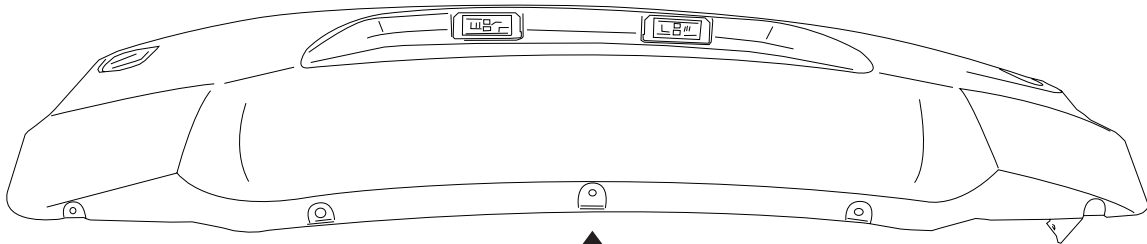


*
17

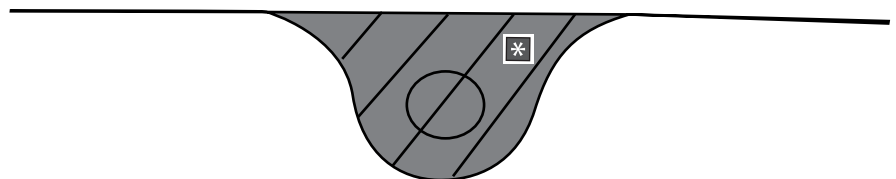
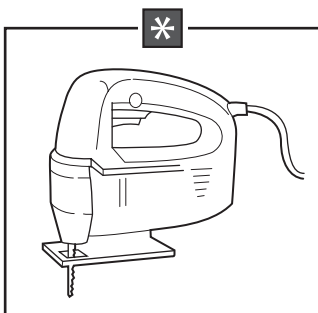
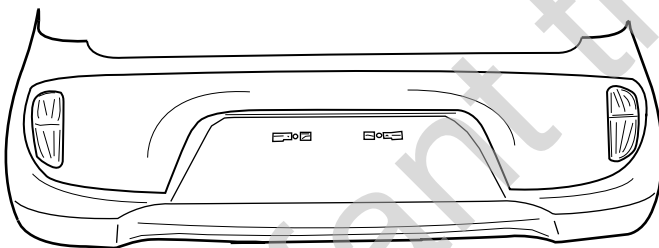


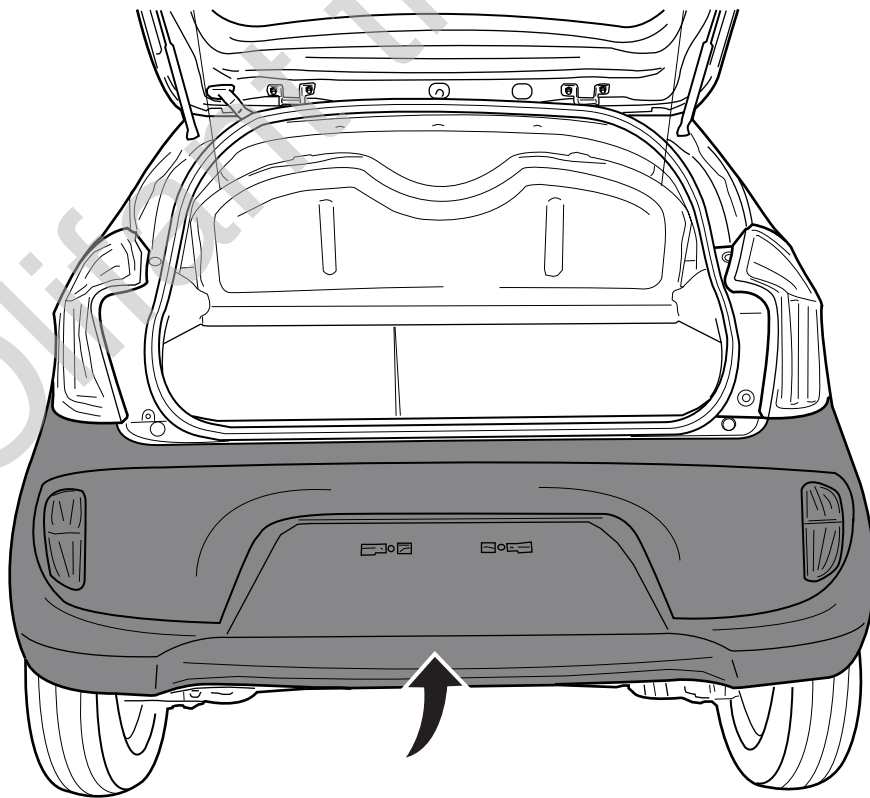
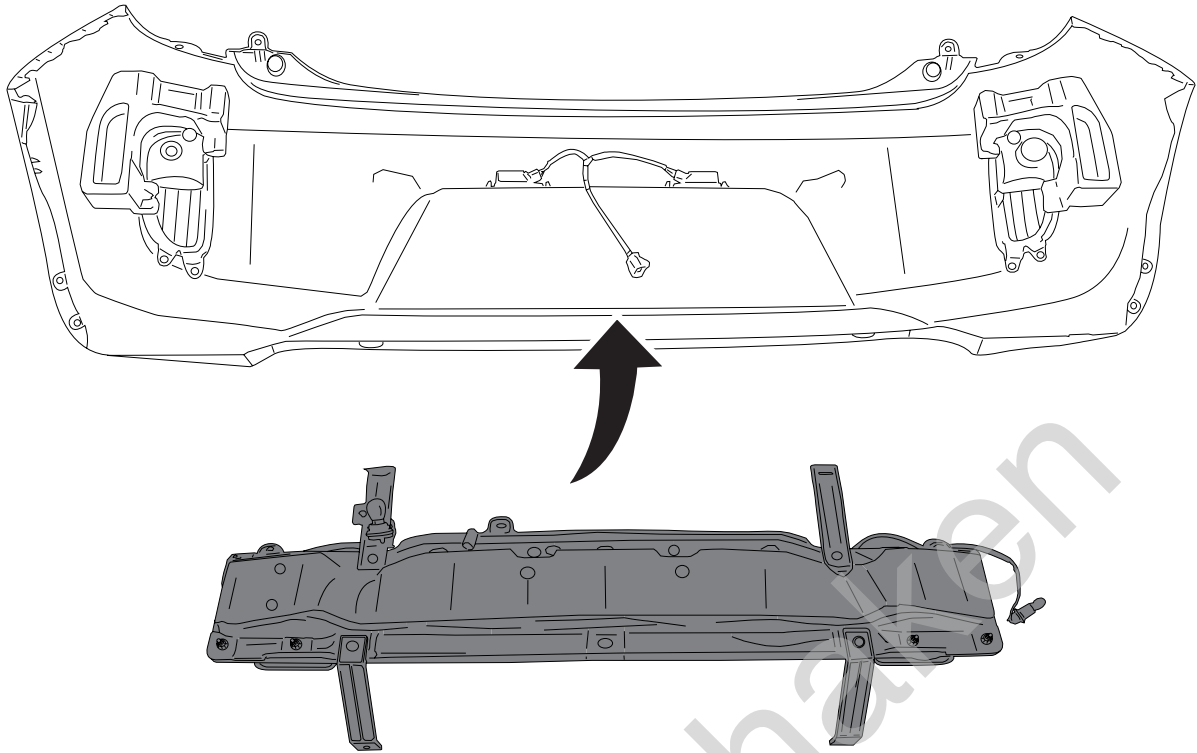


Kia Picanto 5D '11

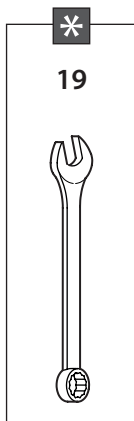
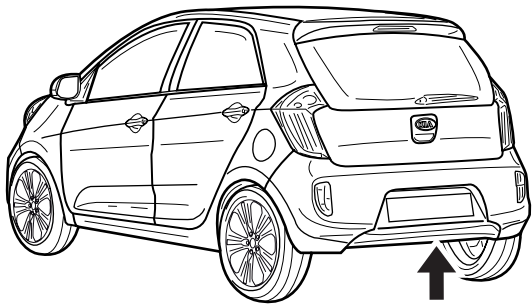


Kia Picanto 3D '11

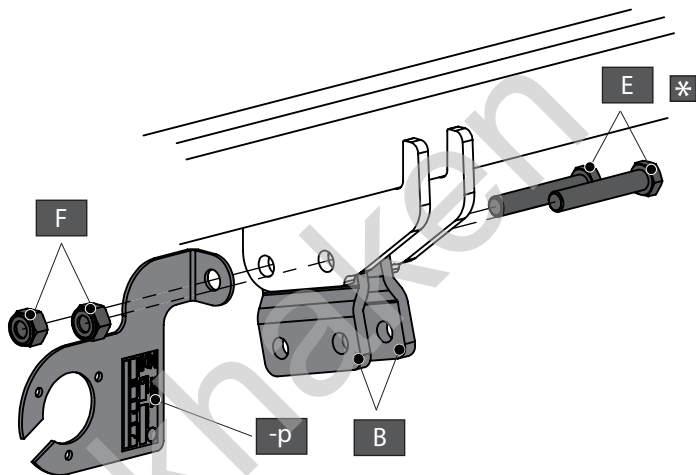




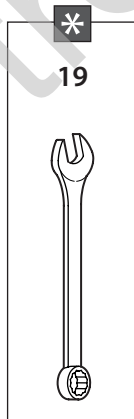
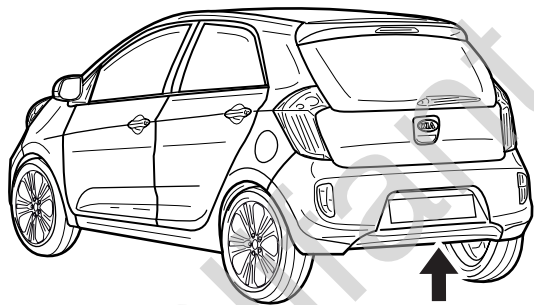
19



B		X2	GDW REF. 900.008
C		X2	GDW REF. 900.011 Ø 21.3 X 11.7
E		X2	DIN931-M12 X 70
F		X2	DIN985-M12



20



A		X1	944.L001
D		X1	GDW REF. 900.053
E		X2	DIN931-M12 X 70
F		X2	DIN985-M12

