



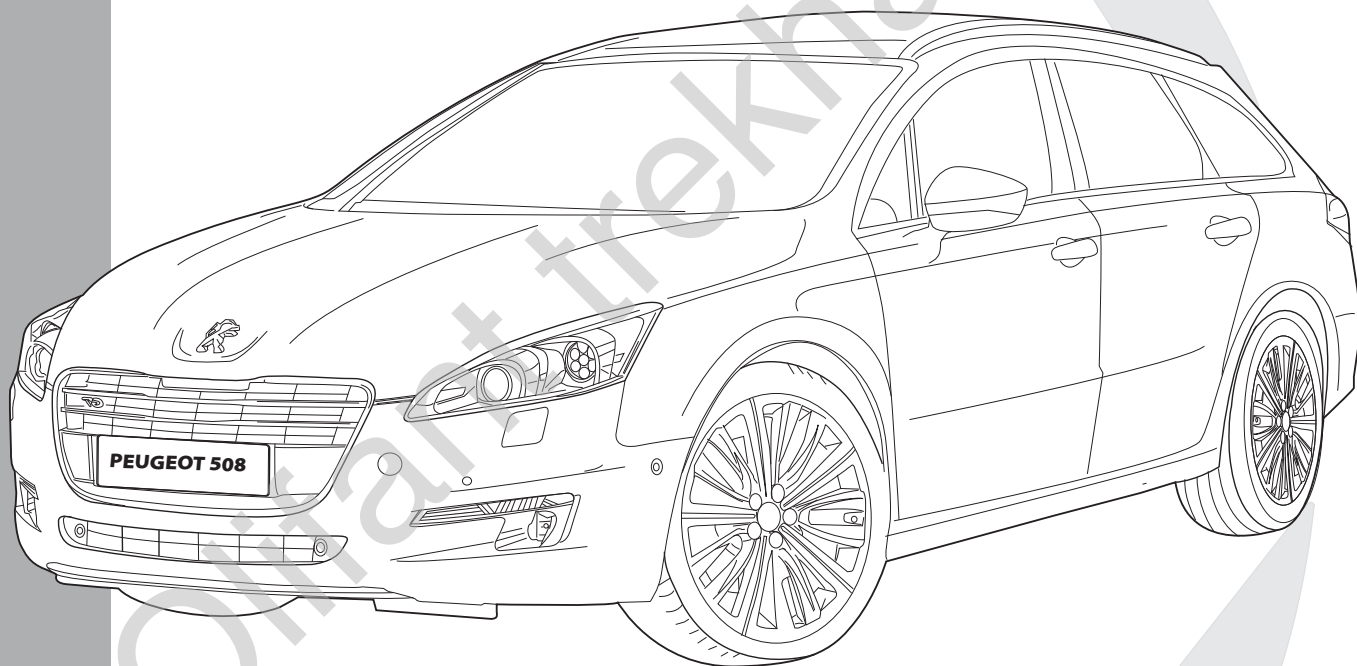
TREKHAKEN • ATTELAGES • ANHÄNGERVORRICHTUNGEN • TOWBARS • ENHANCES • ANHÆNGERTRÆK

Montagehandleiding | instructions de montage | Einbauanleitung | Mounting instruction  
Instrucciones de montaje | monteringsvejledning



# Peugeot 508 SW

03/'11-

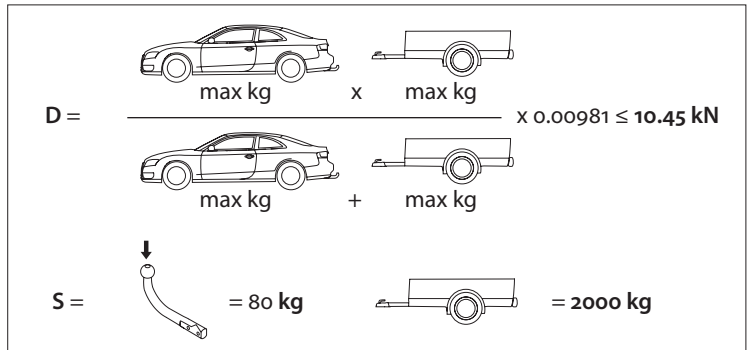


MADE BY **D10.45** **F** **e24**

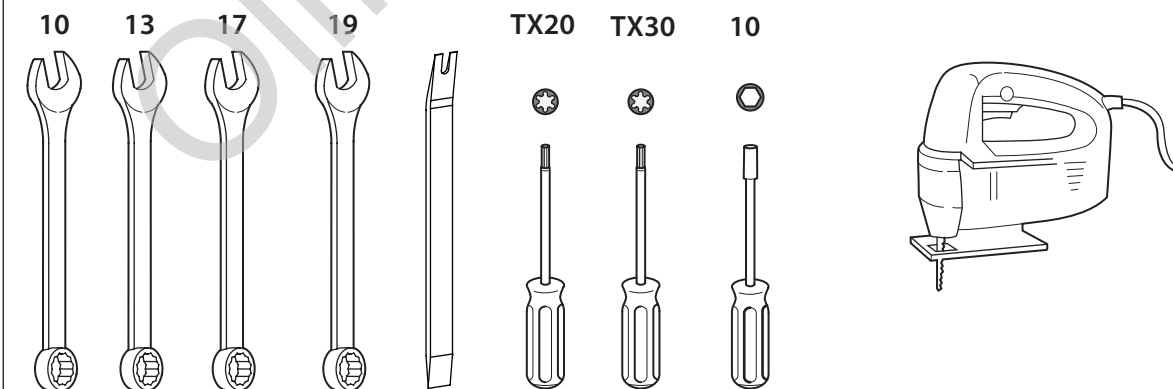
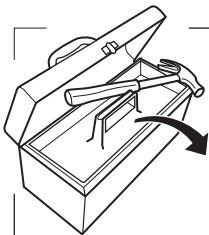
BELGIUM **S 80** EC APPROVAL N° **00 - 0188**

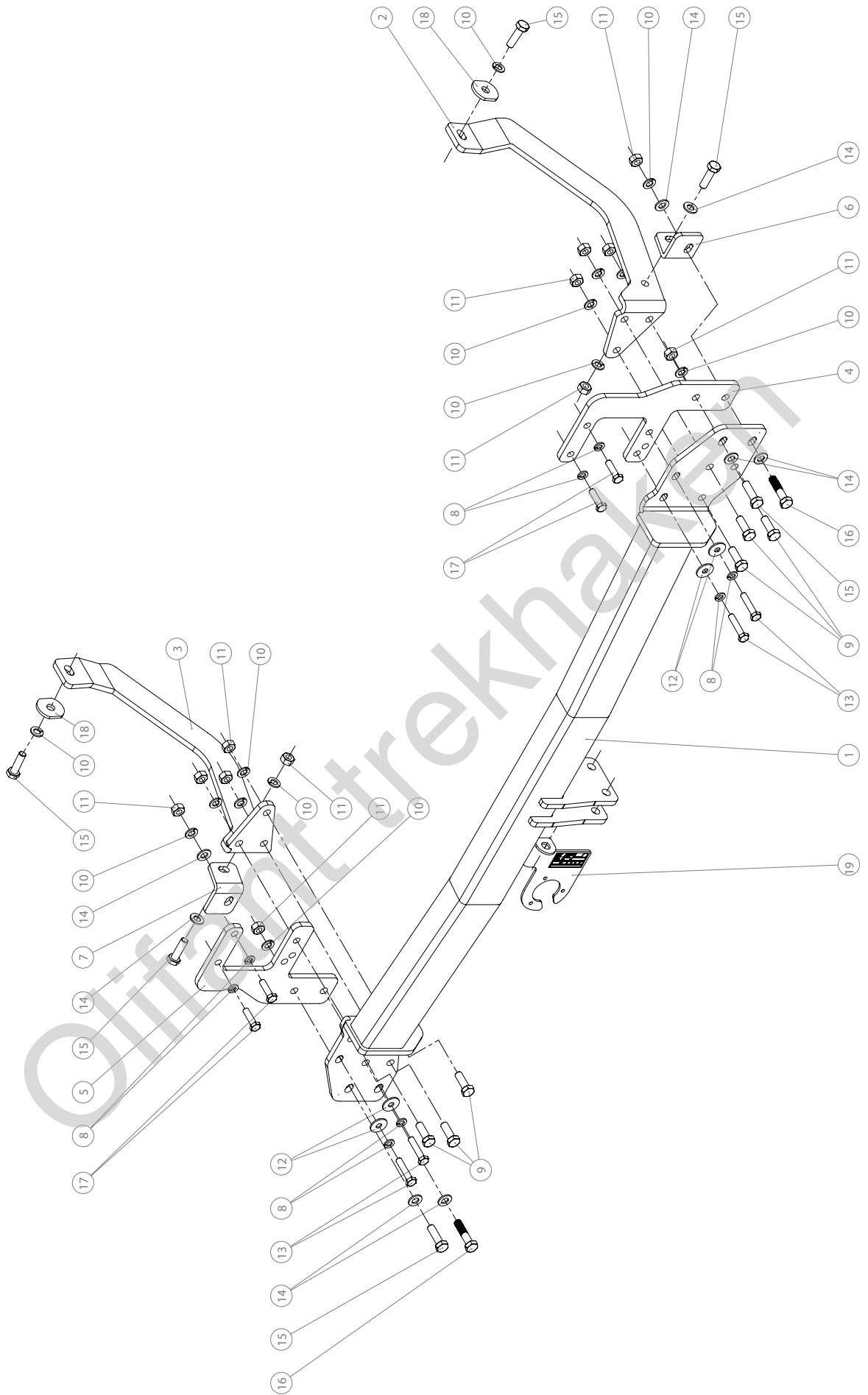
REF N° **1868** SERIE N° **XXXX**

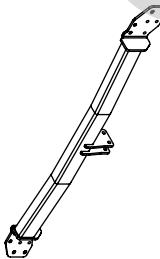
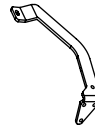
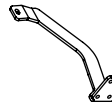











OMSCHRIJVING  
**Peugeot 508 sw 03/'11-**




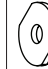



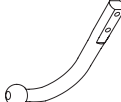





	M 6	M 8	M 10	M 12	M 14	M 16
8.8	10,4 Nm	25,0 Nm	51,0 Nm	87,0 Nm	140,0 Nm	215,0 Nm
10.9	15,5 Nm	37,0 Nm	75,0 Nm	130,0 Nm	205,0 Nm	310, Nm
12.9	18,0 Nm	43,0 Nm	87,0 Nm	150,0 Nm	240,0 Nm	370,0 Nm



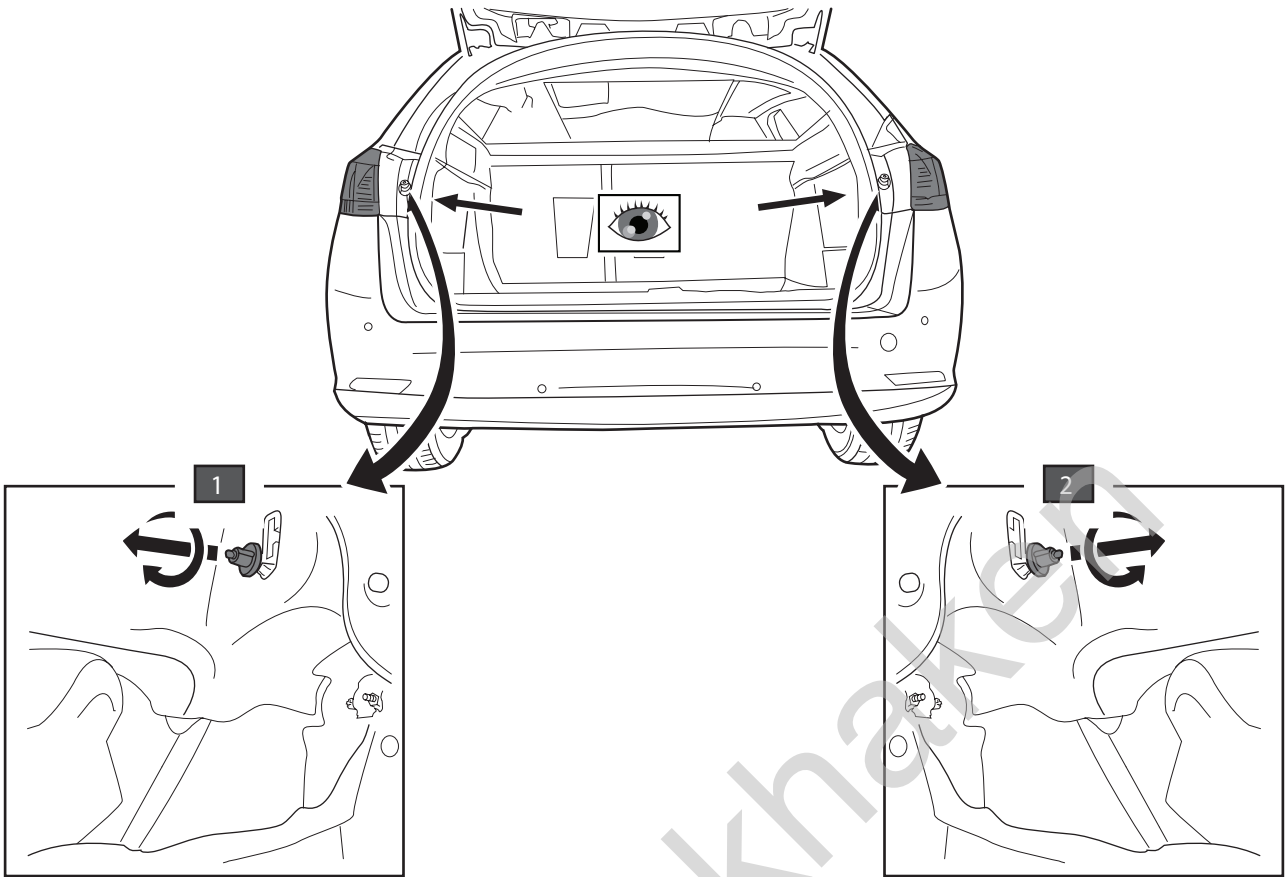


1		X1	GDW REF. 1868
2		X1	GDW REF. 2
3		X1	GDW REF. 3
4		X1	GDW REF. 4
5		X1	GDW REF. 5
6		X1	GDW REF. 6
7		X1	GDW REF. 7
8		X8	DIN128A-M8
9		X6	DIN933-M10X35
10		X14	DIN128A-M10
11		X12	DIN934-M10
12		X4	DIN9021-M8-ELVZ Ø 25x8.4x2MM
13		X4	DIN933-M8x40
14		X8	DIN125-A10-140HV-ELVZ

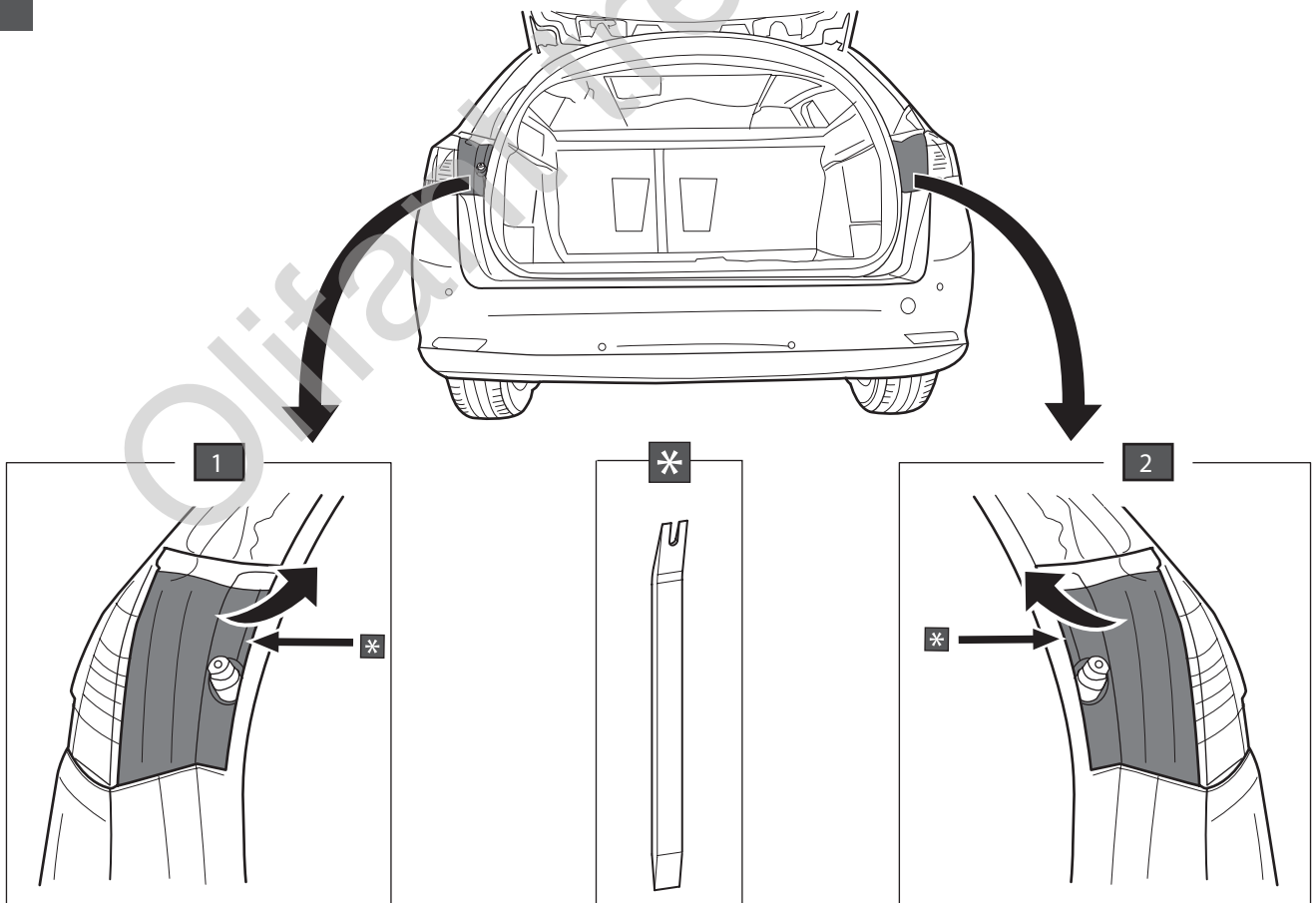
15		X6	DIN933-M10X35
16		X2	DIN933-M10X45
17		X4	DIN933-M8x40
18		X2	GDW REF.905003 Ø 40x35x12x4
12		X1	GDW REF. P04

Geleverd met - Livré avec - Delivered with Geliefert mit - Elementos adjuntos-Leveres med		X1	T45L031
		X2	GDW REF. 8000008
		X2	GDW REF. 8000011 Ø 21.3 X 11.7
		X1	GDW REF. 8000053
		X4	DIN931-M12 X 70
		X4	DIN985-M12

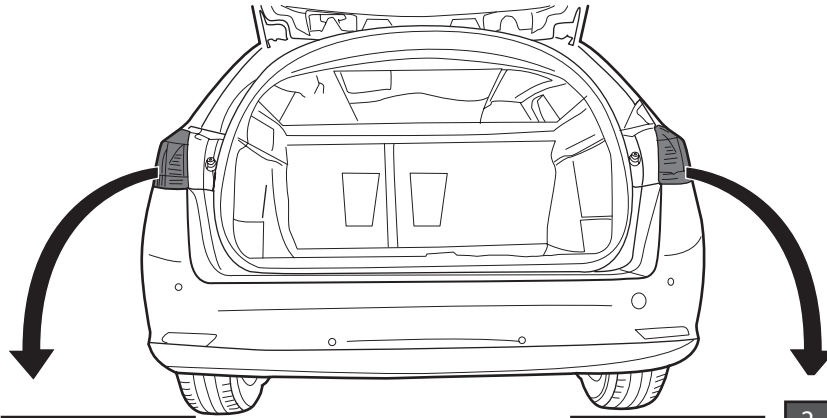
1



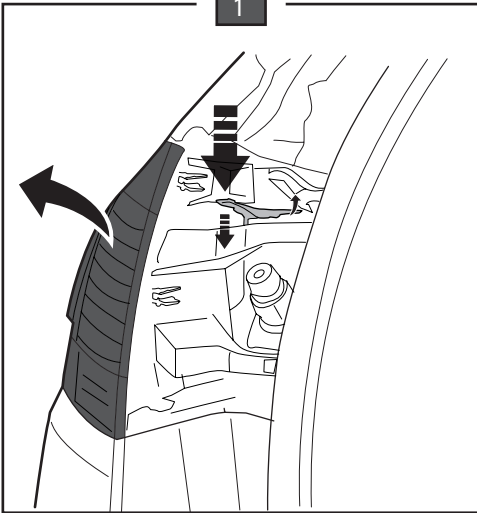
2



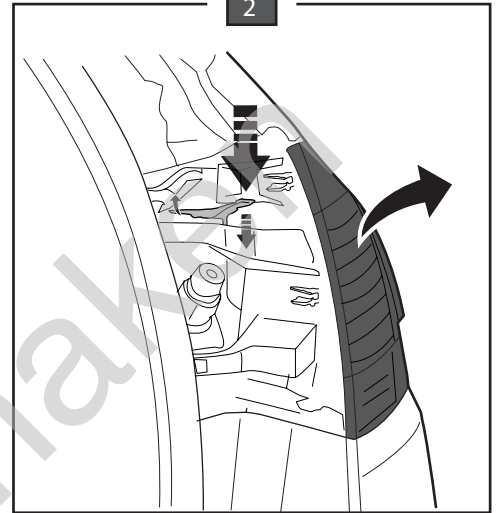
3



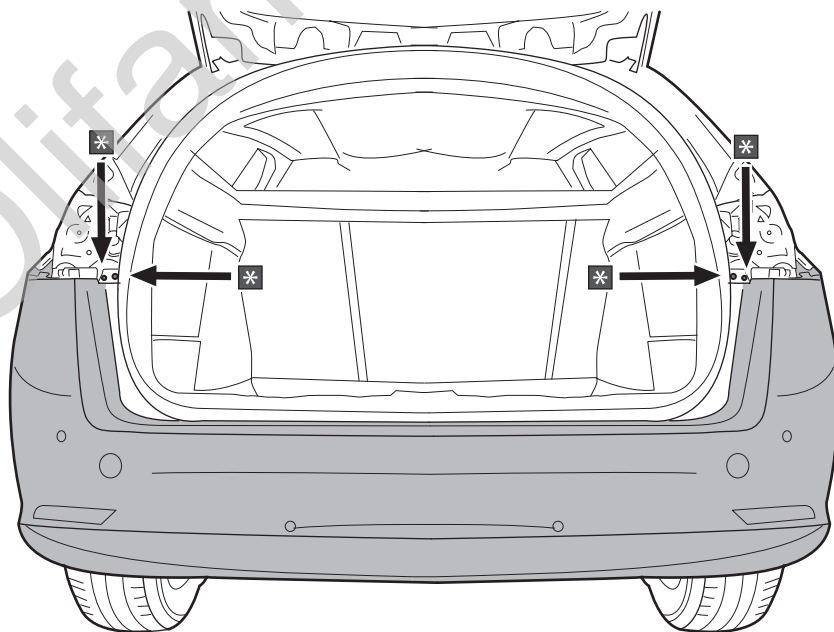
1



2



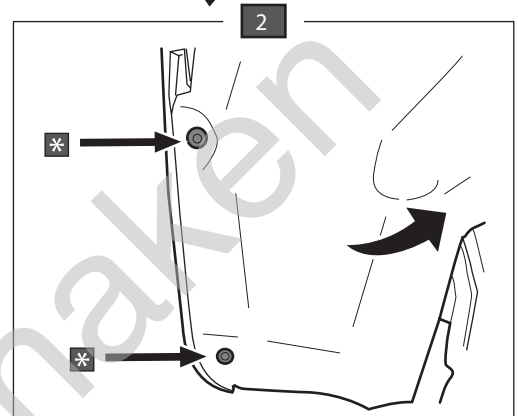
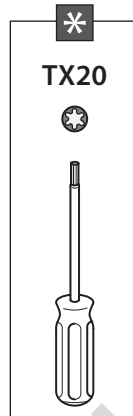
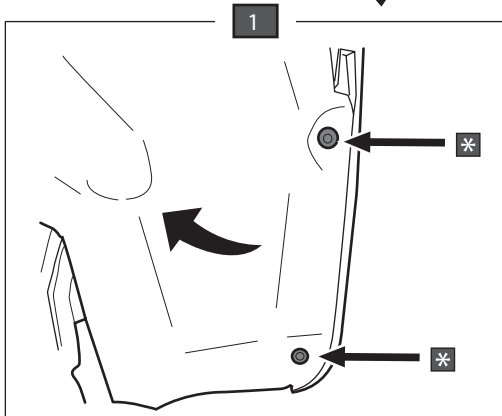
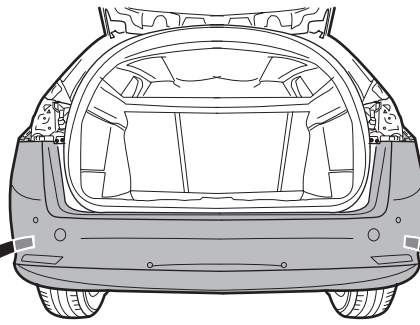
4



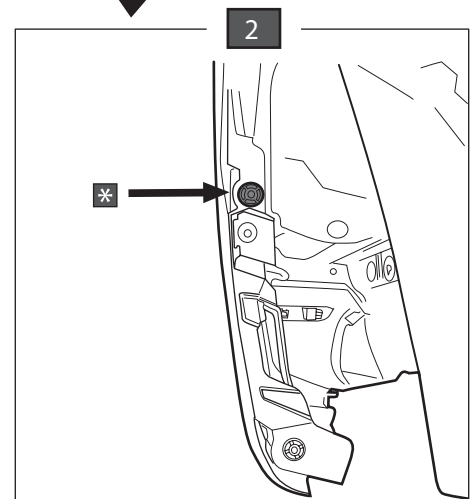
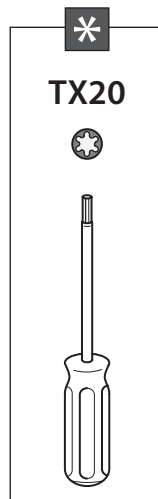
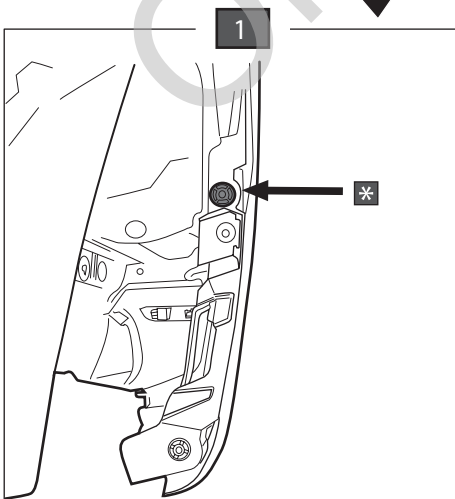
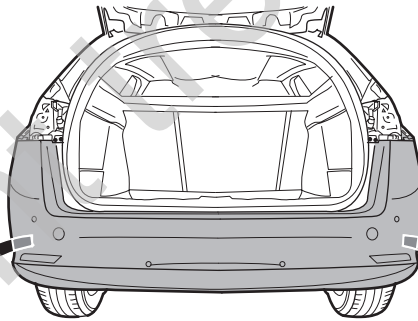
TX30



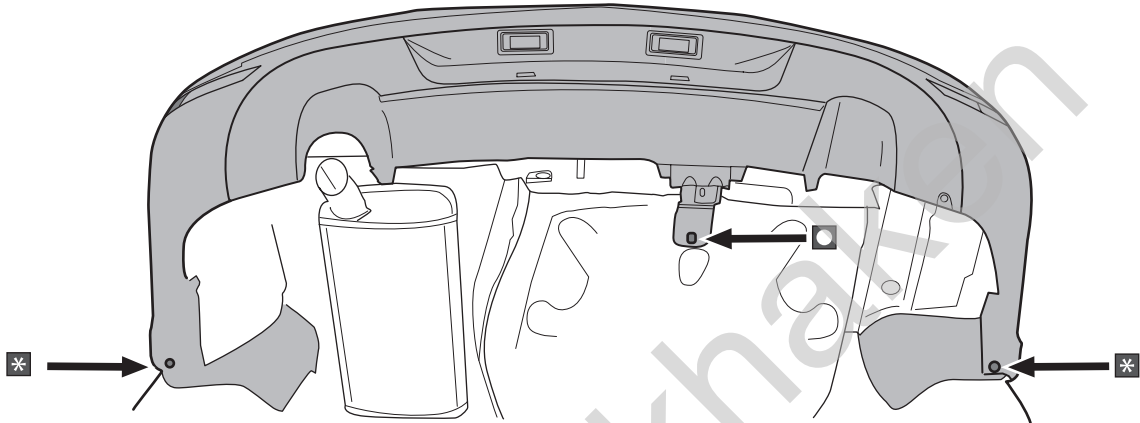
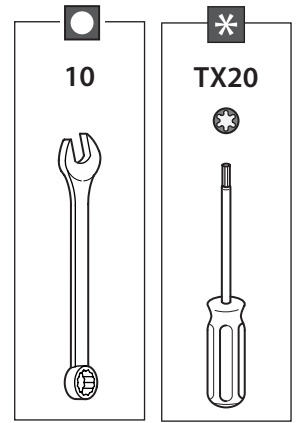
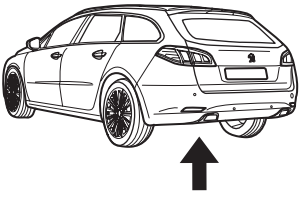
5



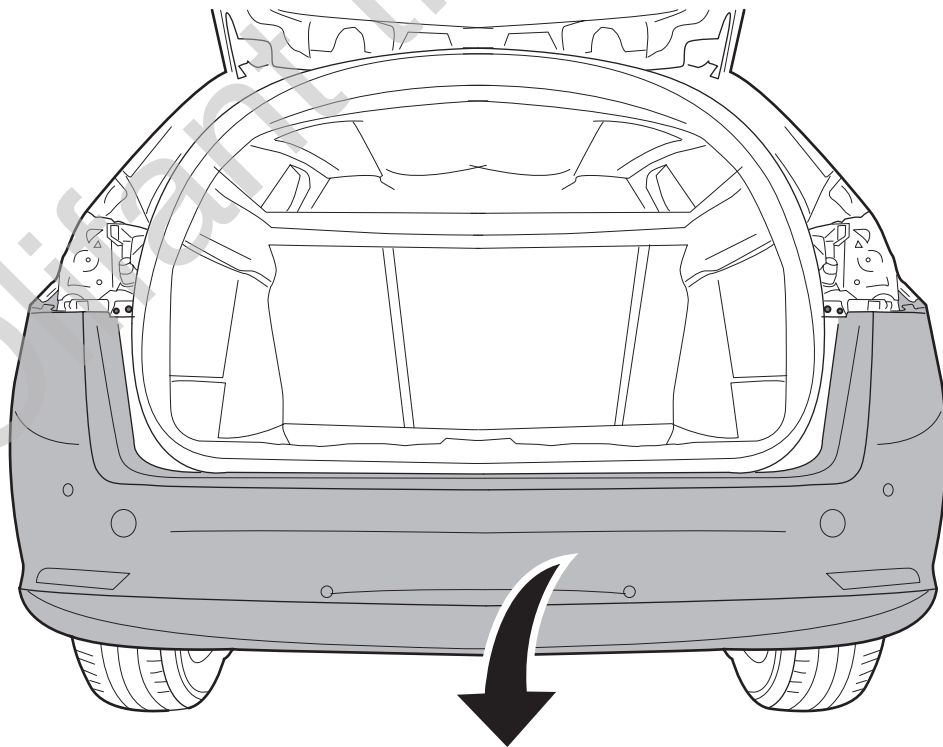
6



7

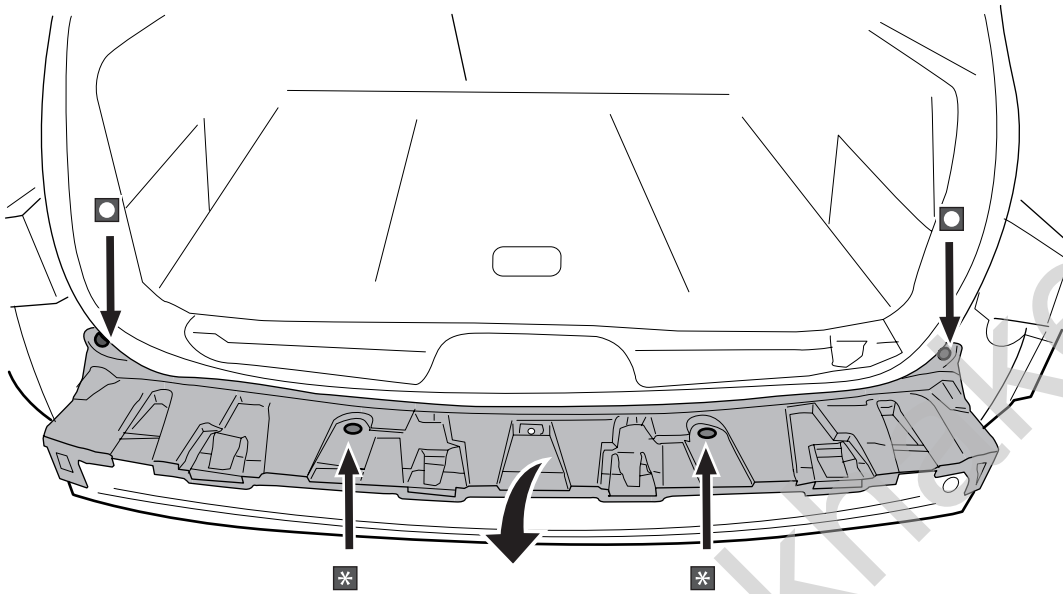
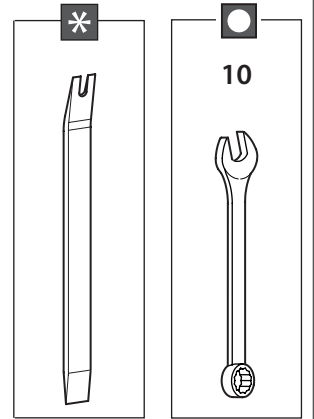


8

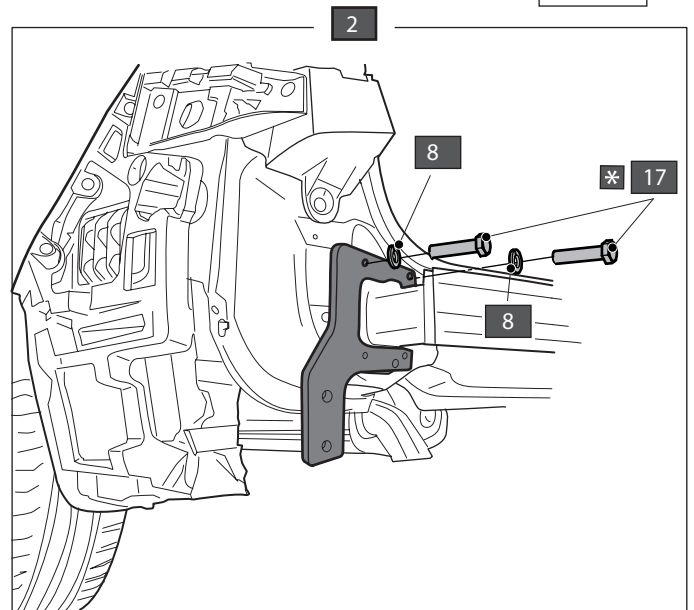
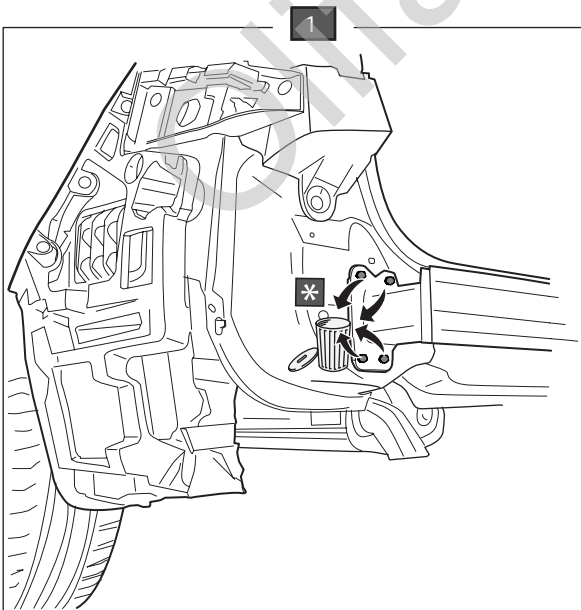
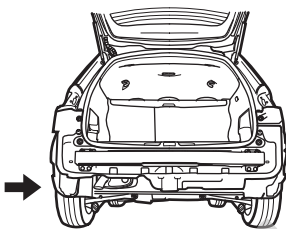
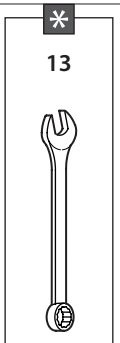




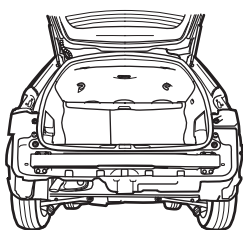
9



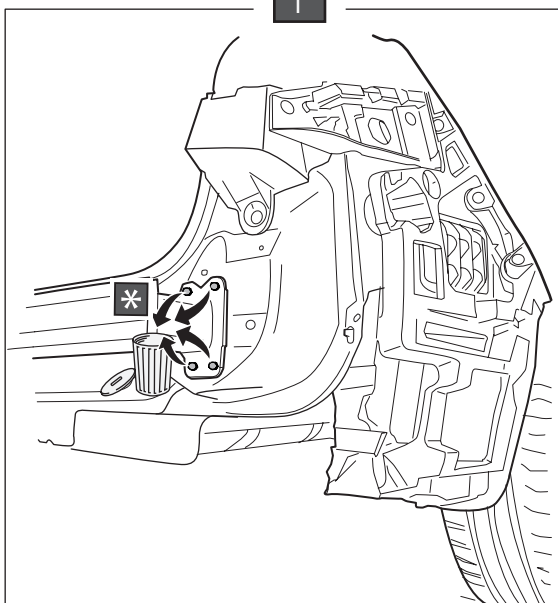
10



11



1

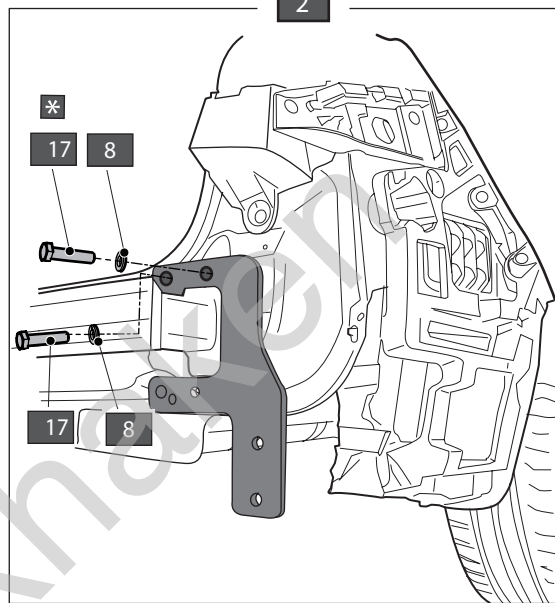


\*

13

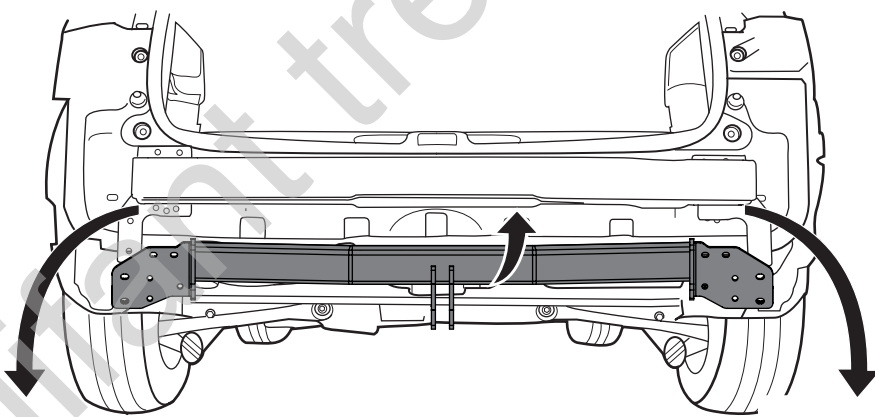


2



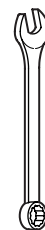
12

17

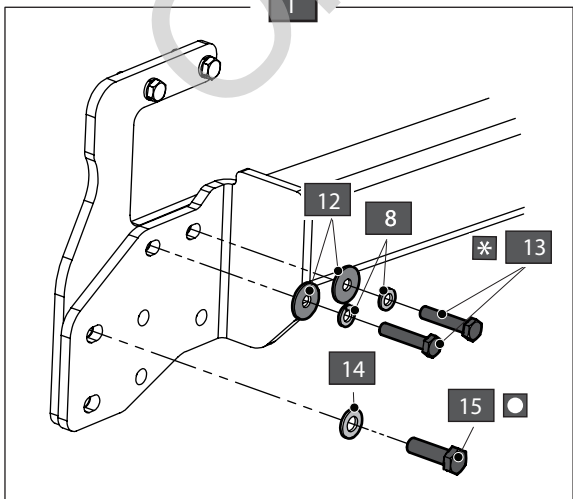


\*

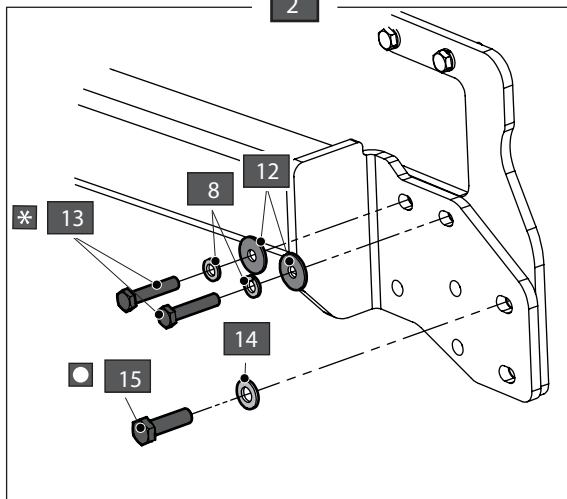
13

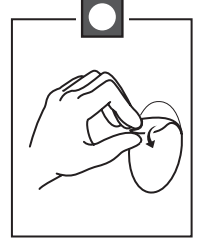
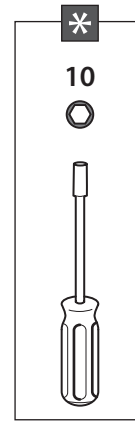
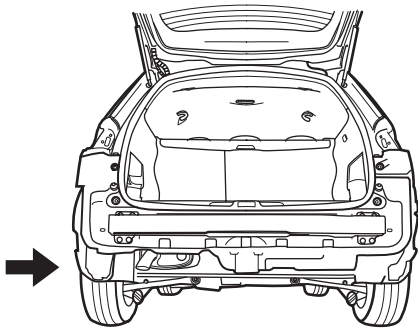


1

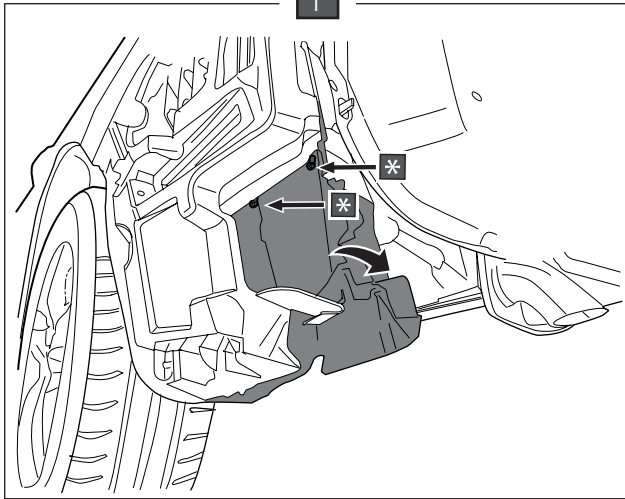


2

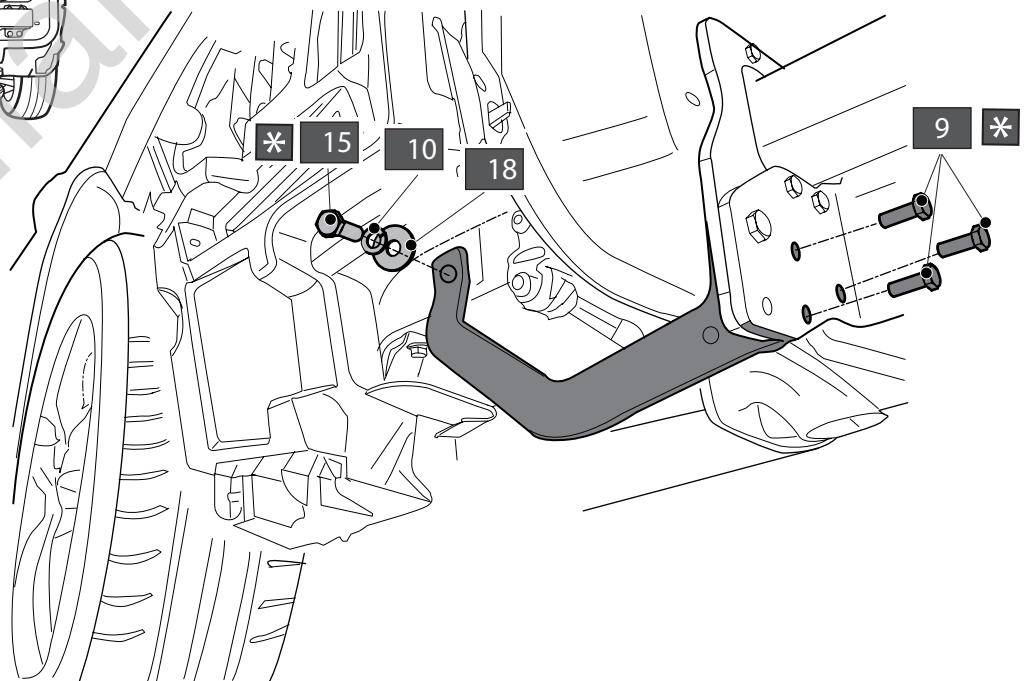
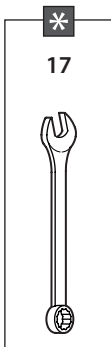
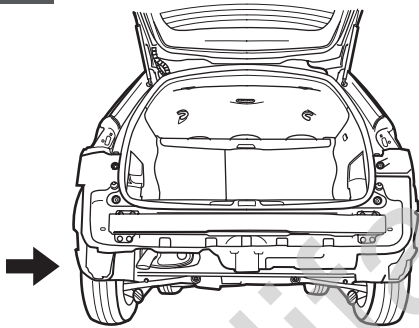
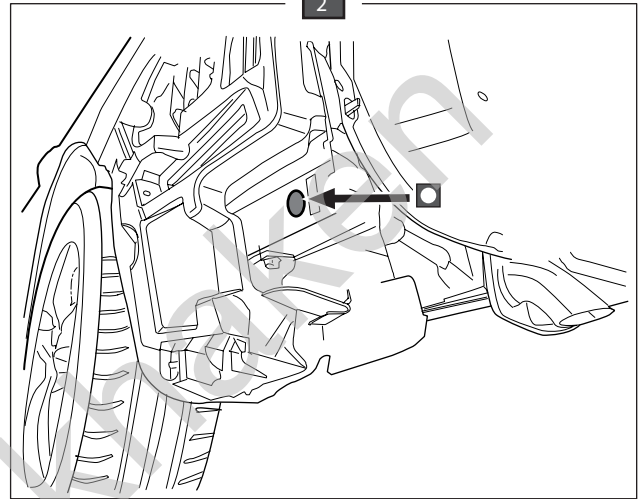


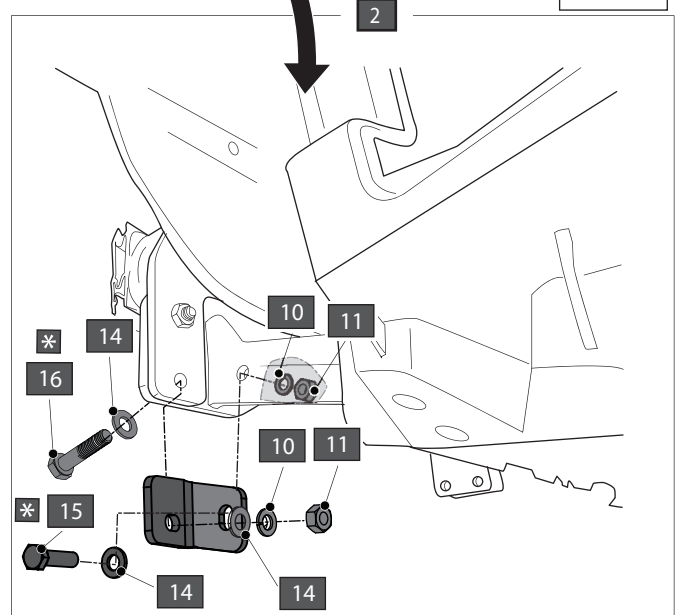
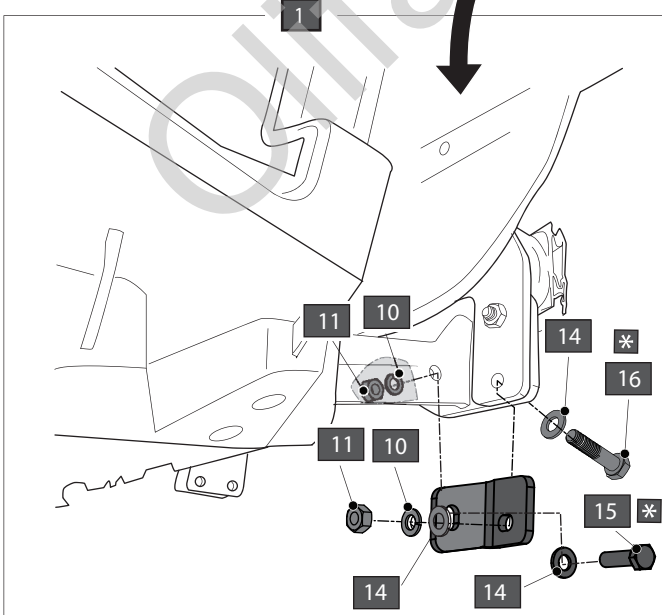
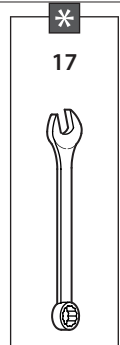
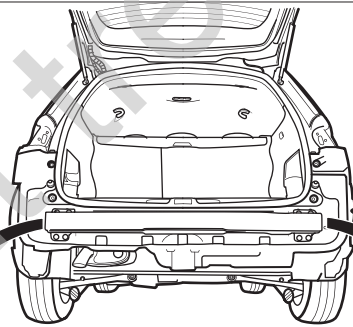
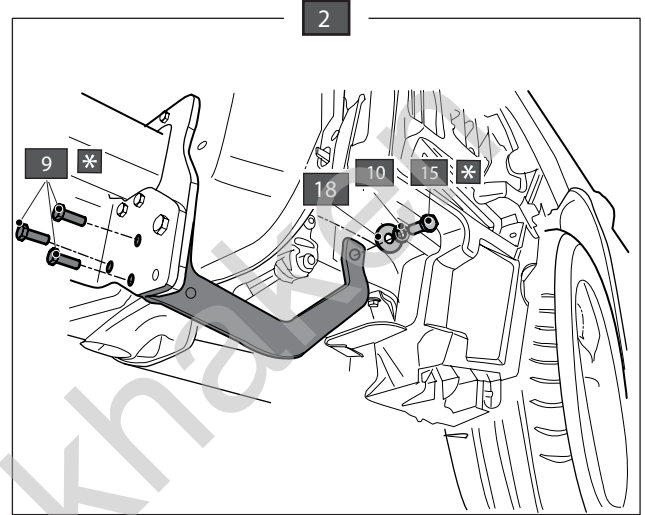
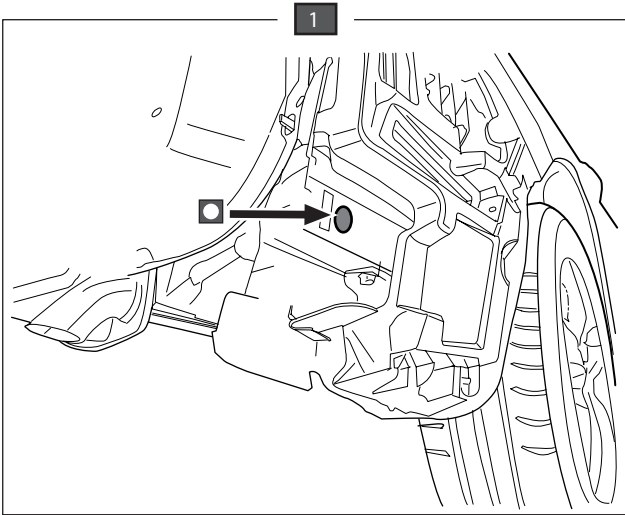
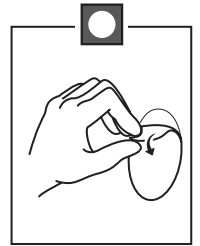
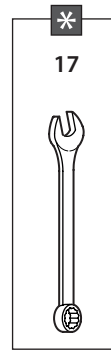
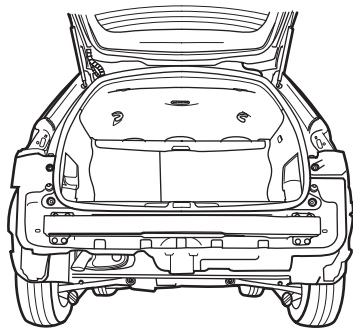


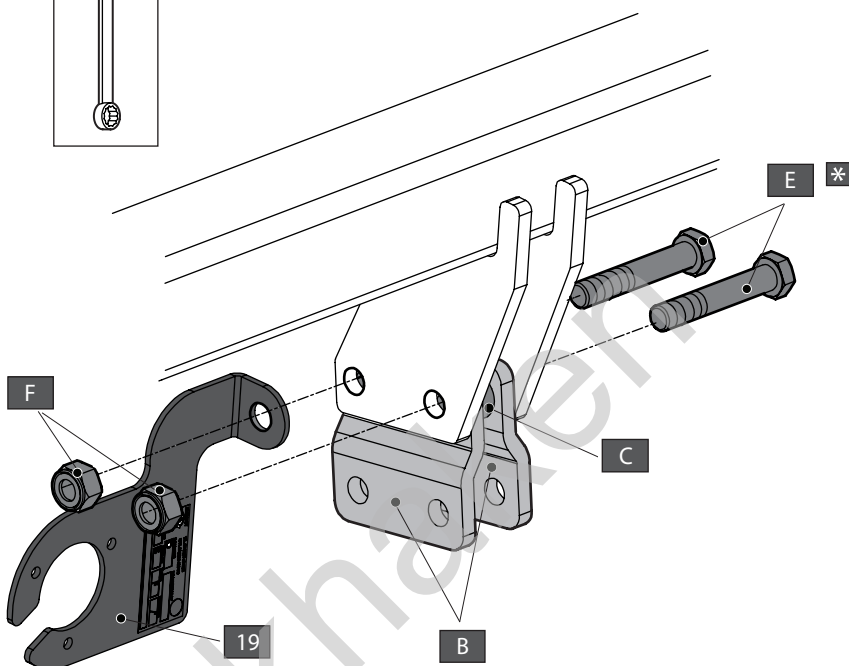
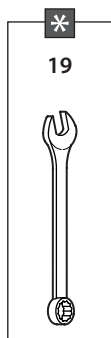
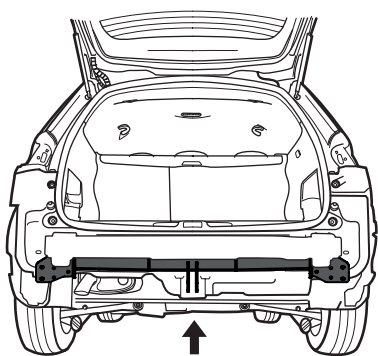
1



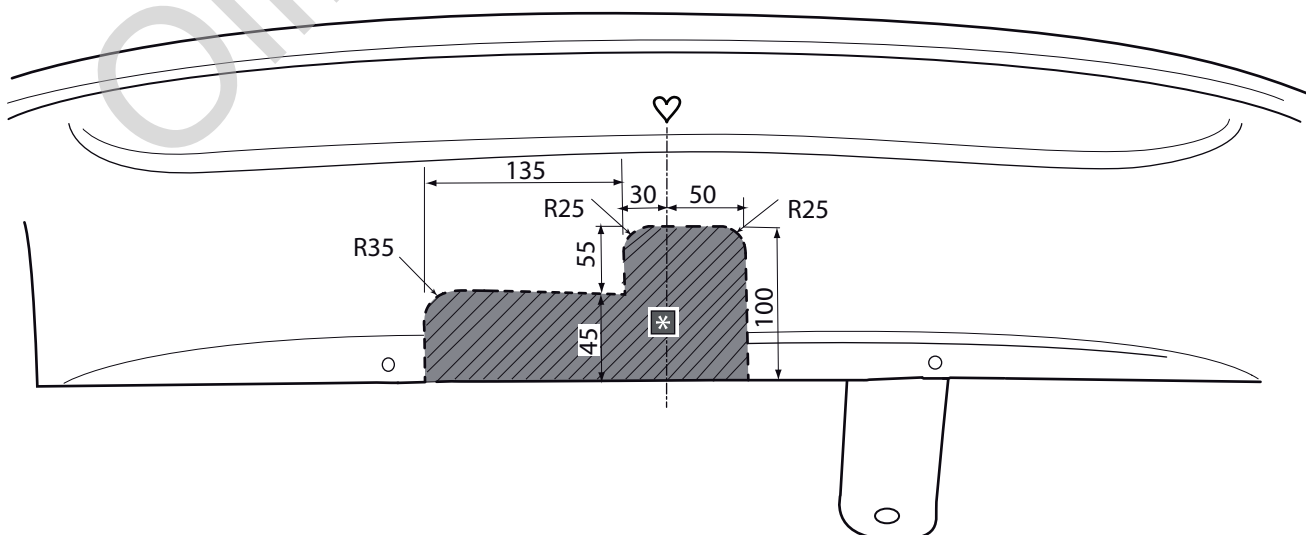
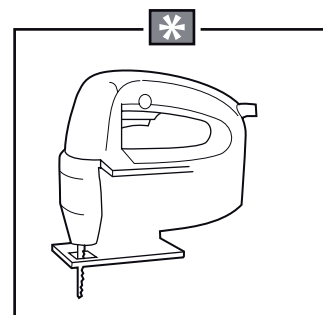
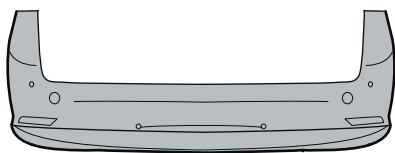
2

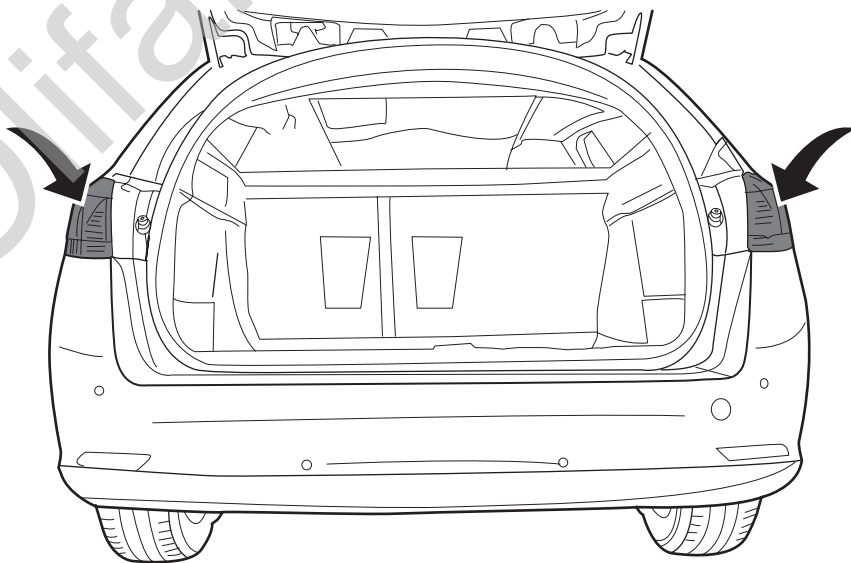
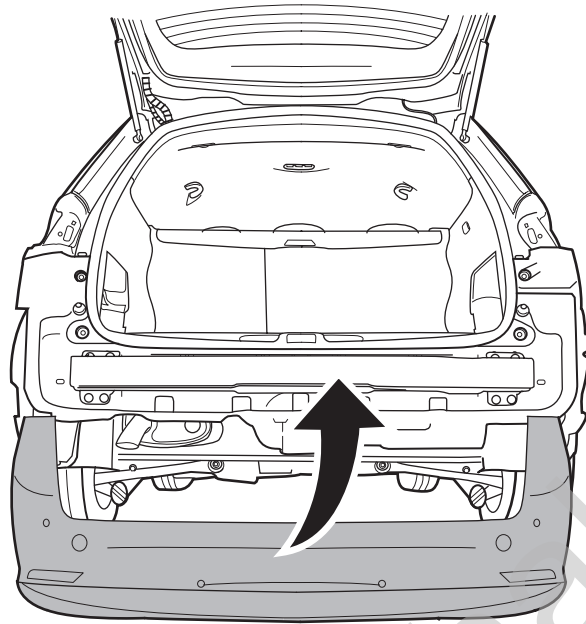


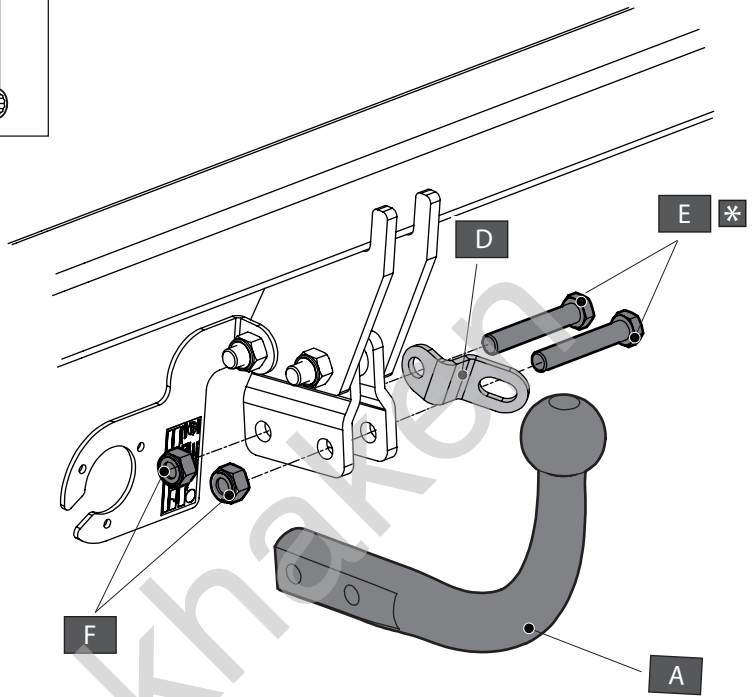
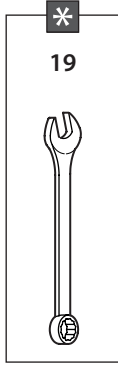
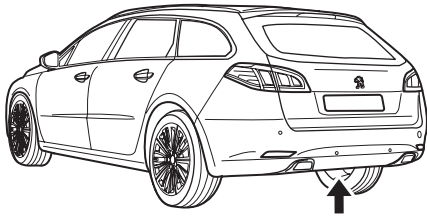




B		X2	GDW REF. 800008
C		X2	GDW REF. 800011 Ø 21.3 X 11.7
E		X2	DIN931-M12 X 70
F		X2	DIN985-M12







A		X1	T45L031
D		X1	GDW REF. 800053
E		X2	DIN931-M12 X 70
F		X2	DIN985-M12

AFN Opties - Options - Options - Optionen - Opciones - Muligheder

