



TREKHAKEN • ATTELAGES • ANHÄNGERVORRICHTUNGEN • TOWBARS • ENHANCES • ANHÆNGERTRÆK

Montagehandleiding | instructions de montage | Einbauanleitung | Mounting instruction
Instrucciones de montaje | monteringsvejledning



Renault Master III FWD

05/'10 -

Opel Movano FWD

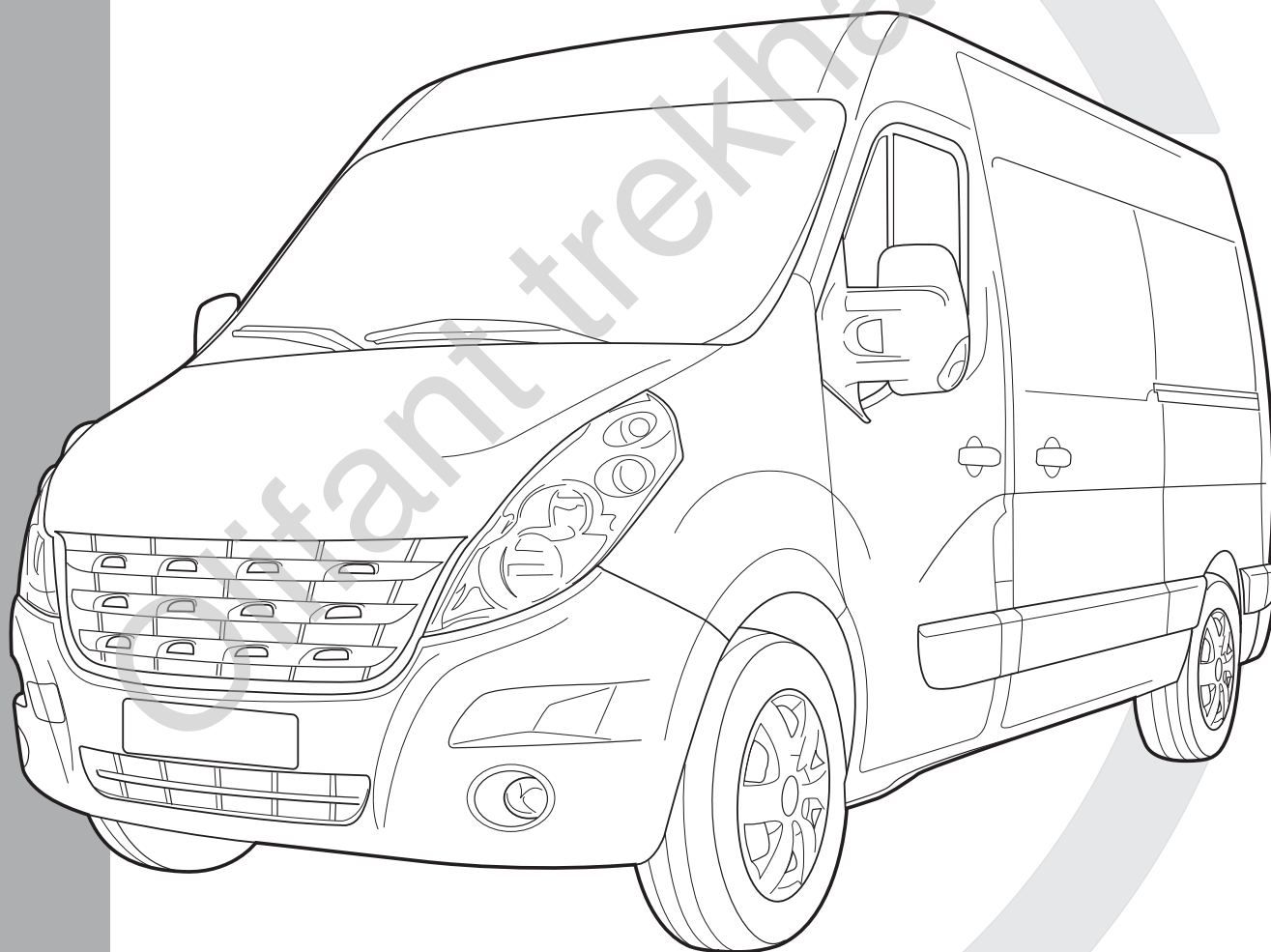
05/'10 -

Nissan NV400 FWD


10/'11 -

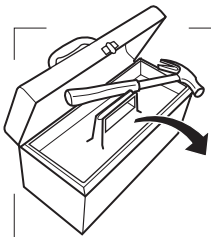
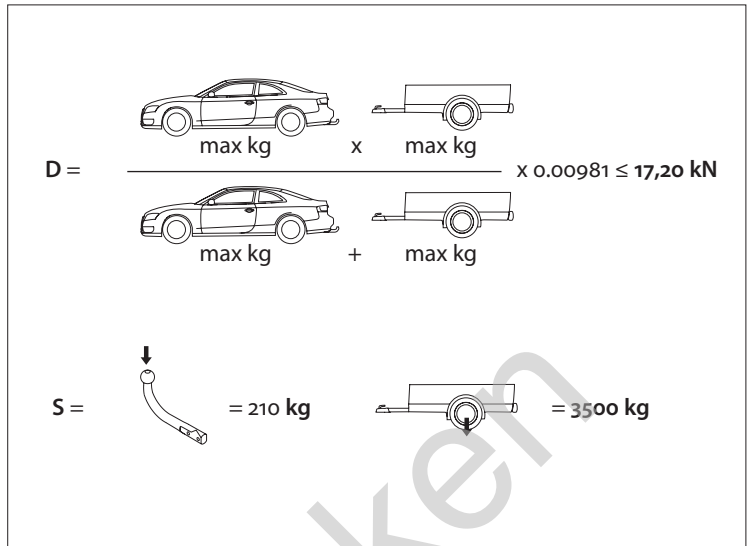
Nissan Interstar FWD

11/'21 -

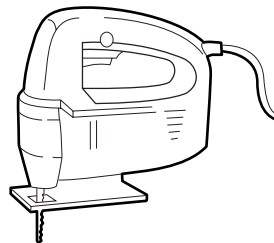
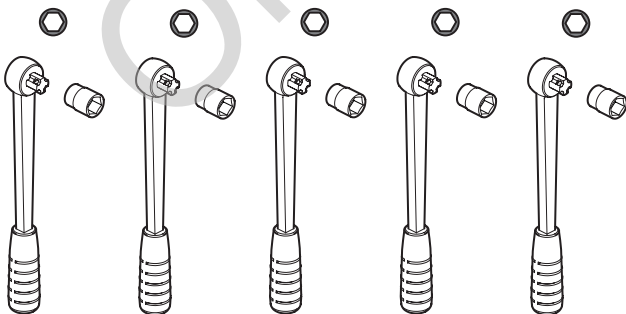


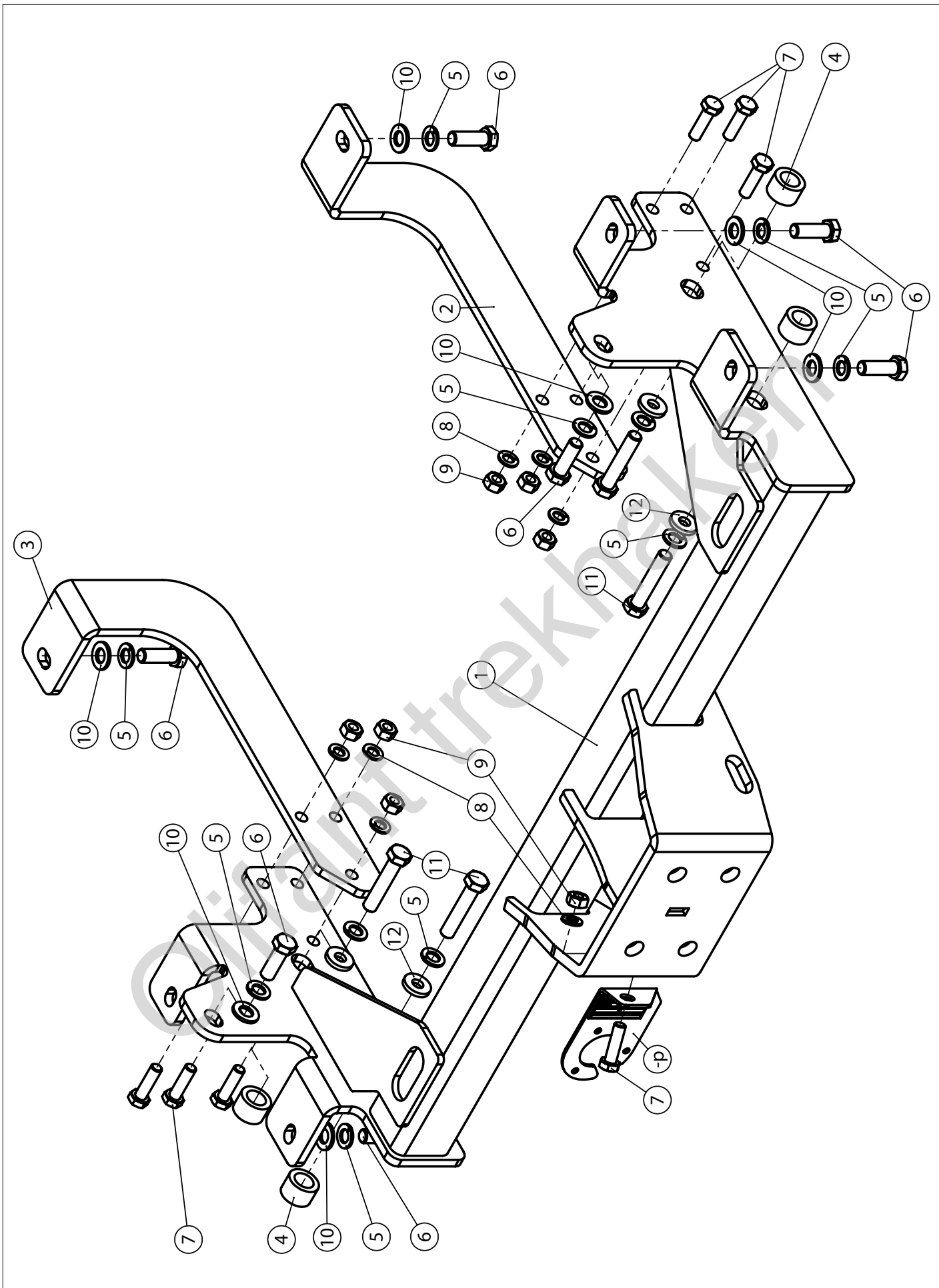
See the Certificate Of Conformity (COC) of your vehicle or contact your dealer to verify the max. trailer weight of your car!

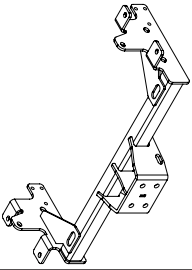
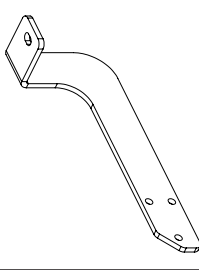
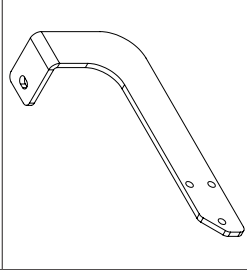

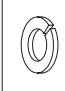




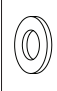

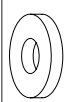
MADE BY	D 17,20	F	E6
			
BELGIUM	S 210	55R-011381	
REF N°	SERIE N°		
1820			
OMSCHRIJVING			
Renault Master III 05/'10- & Opel Movano 05/'10- & Nissan NV400 10/'11- Nissan Interstar 11/'21-			

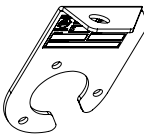


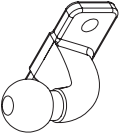
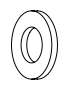



13 17 18 19 24



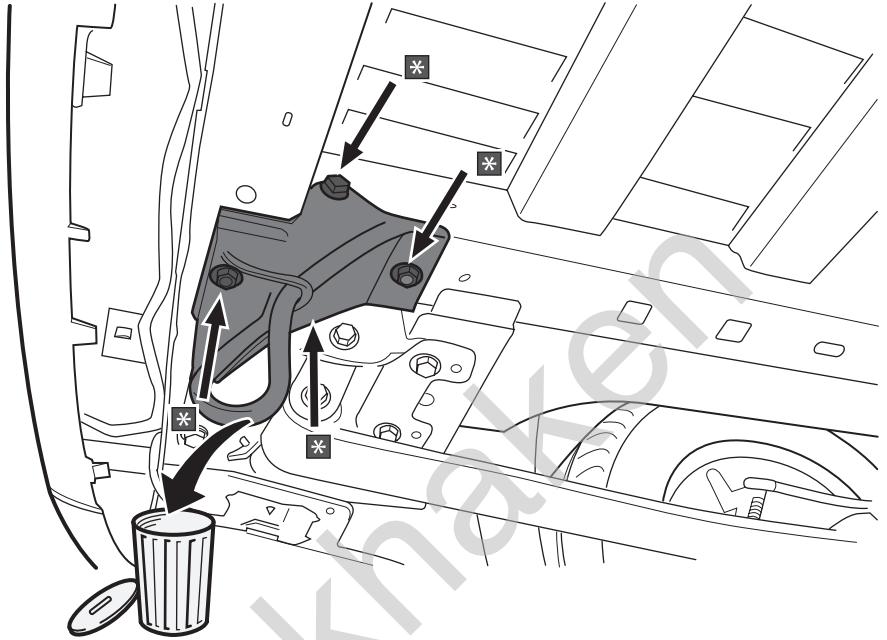
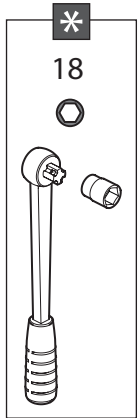
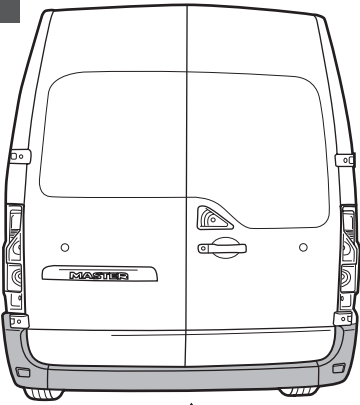


1		X1	GDW REF. 1
2		X1	GDW REF. 2
3		X1	GDW REF. 3
4		X4	GDW REF. 4
5		X12	DIN128A-M12
6		X8	DIN933-M12 X 35
7		X7	DIN933-M10 X 35
8		X7	DIN128A-M10
9		X7	DIN934-M10
10		X8	DIN125-A12-140HV-ELVZ
11		X4	DIN931-M12 X 60
12		X4	DIN7349-M12-ST

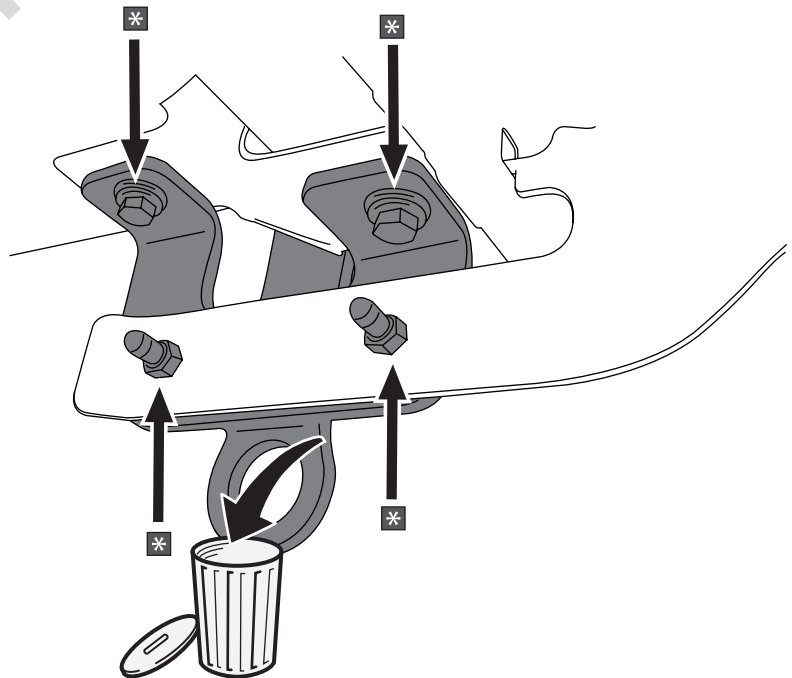
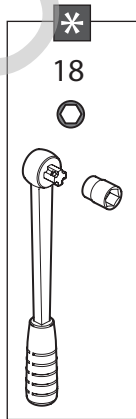
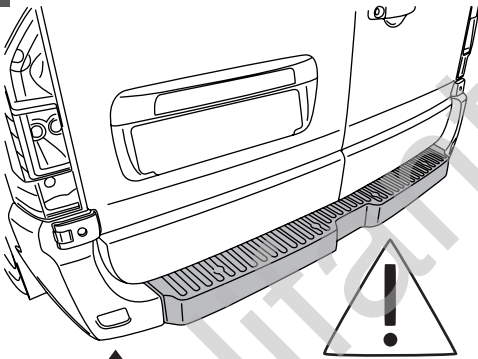
-P		X1	GDW REF. P29
----	---	----	--------------

Geleverd met - Livré avec - Delivered with Geliefert mit - Elementos adjuntos - Leverages med		X1	740.000
		X2	DIN125-A16-140HV-ELVZ
		X2	DIN128A-M16
		X2	DIN933-M16 X 50
		X2	DIN934-M16

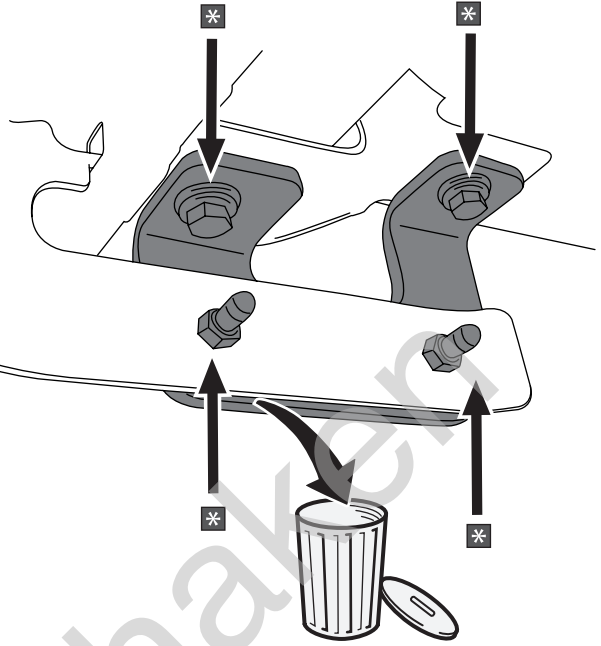
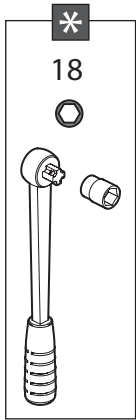
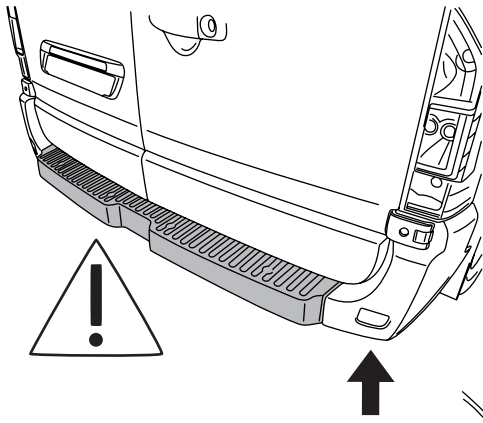
1



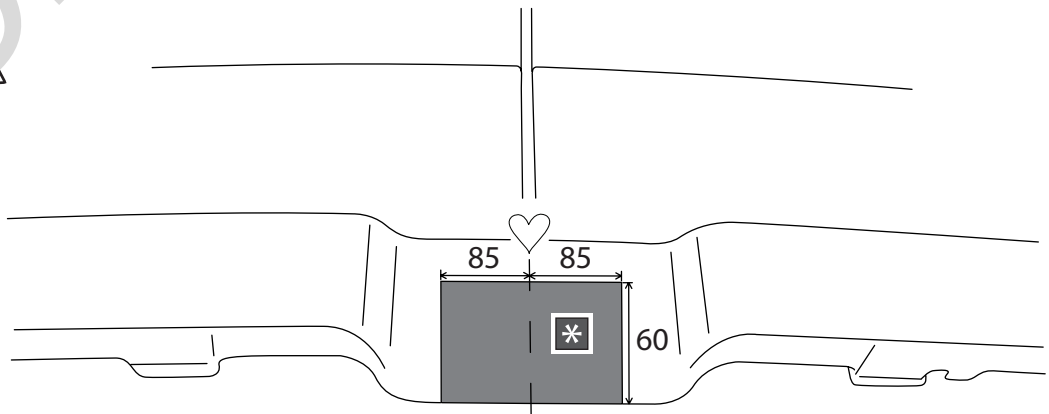
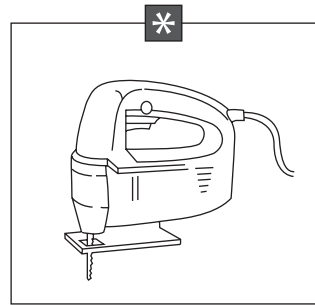
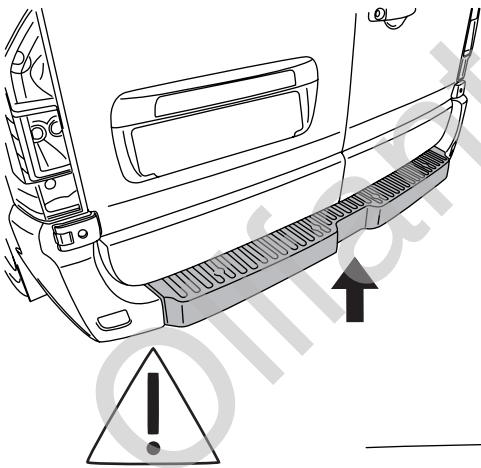
2



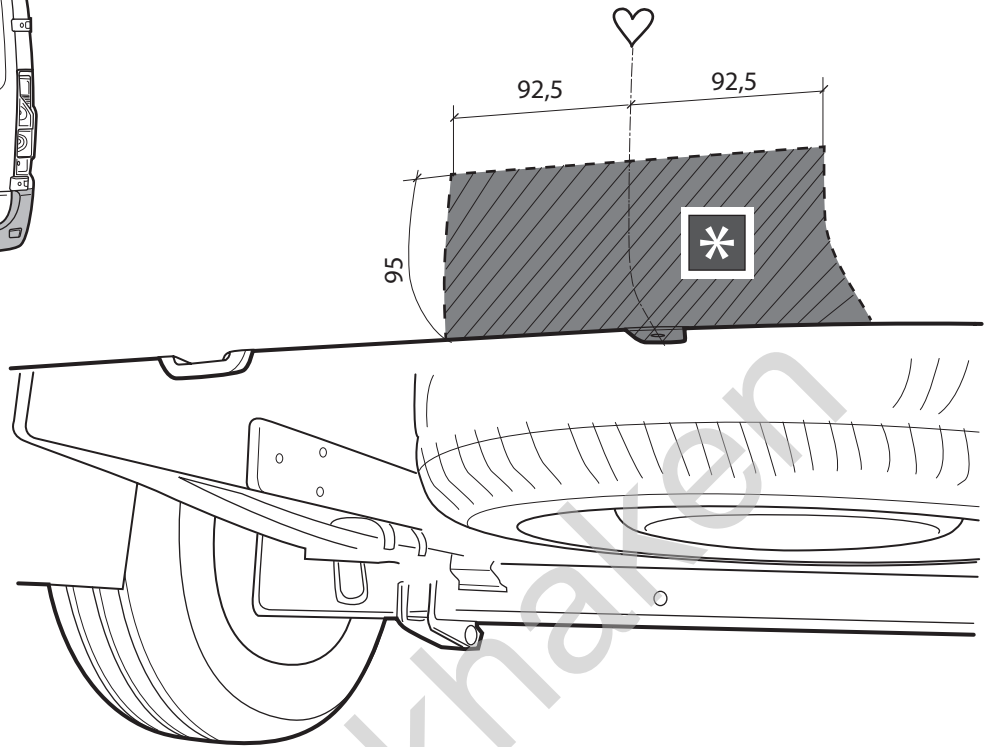
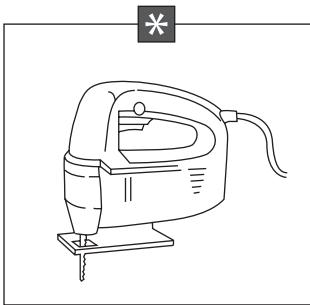
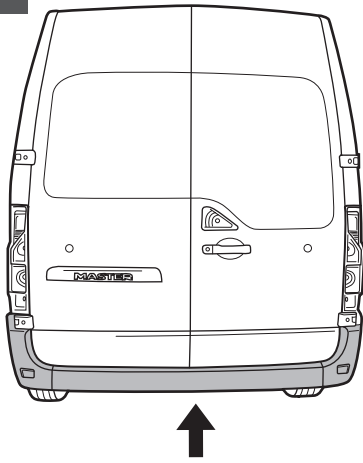
3



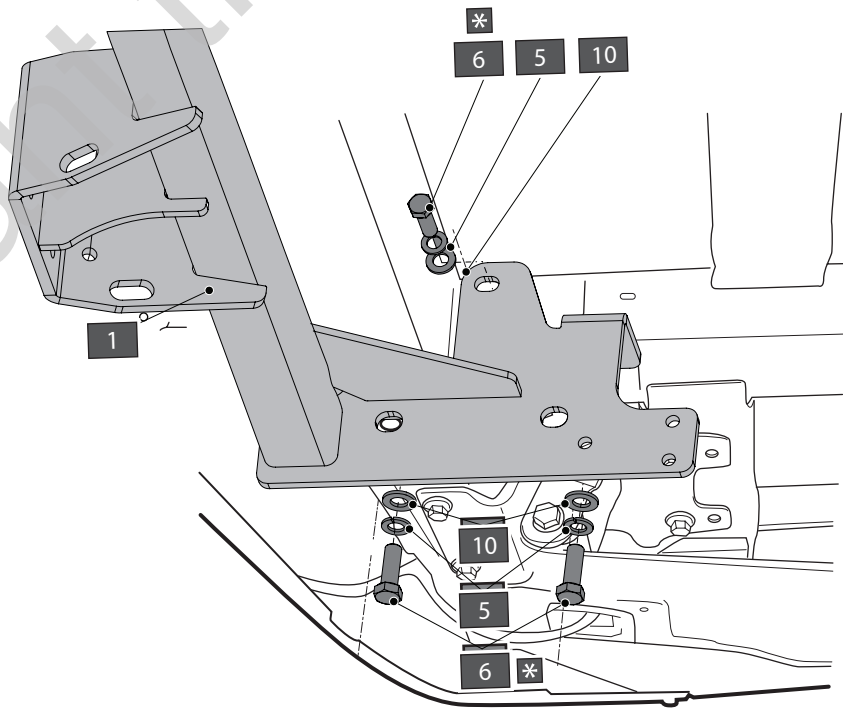
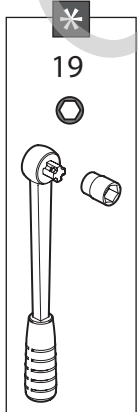
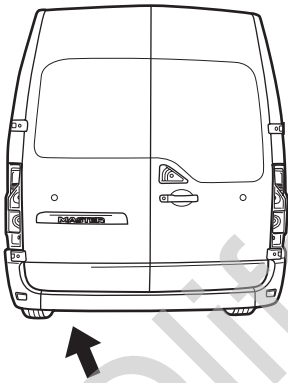
4



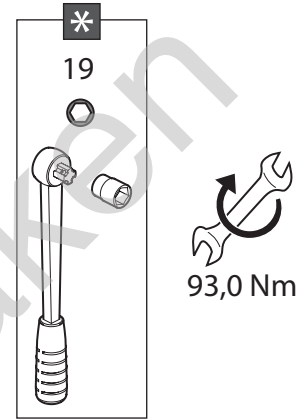
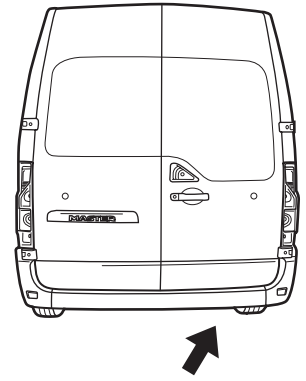
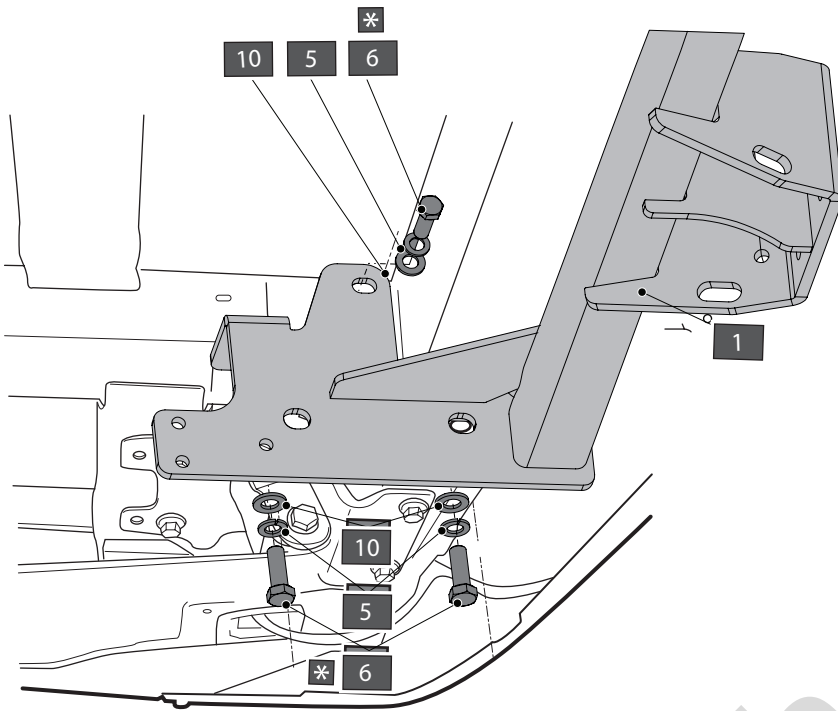
5



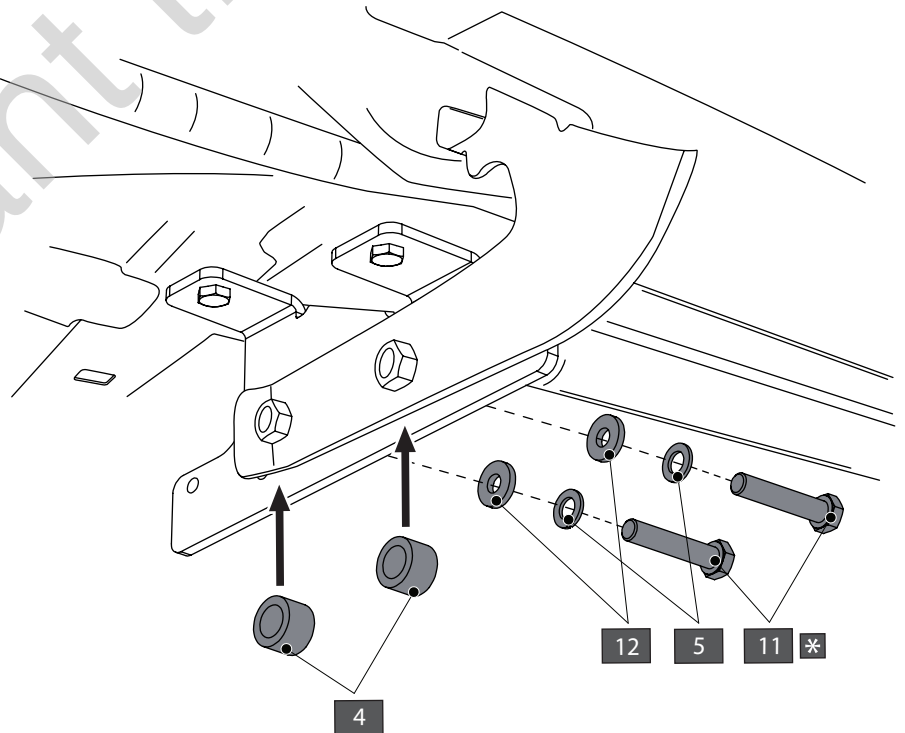
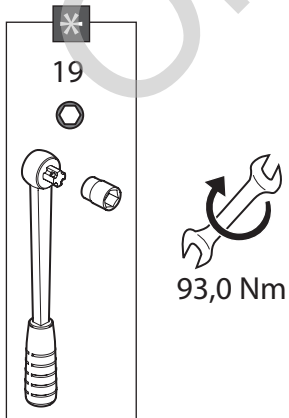
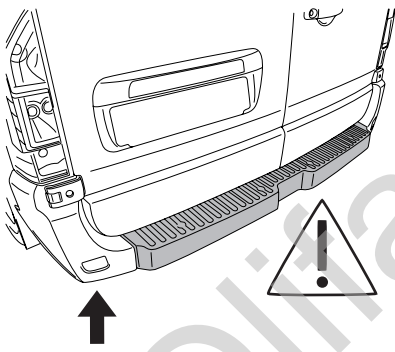
6

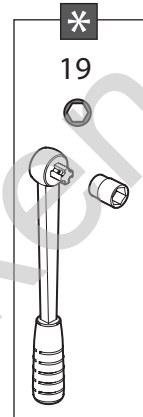
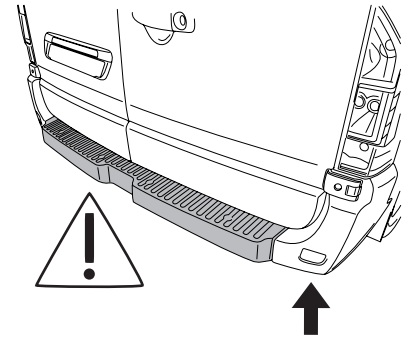
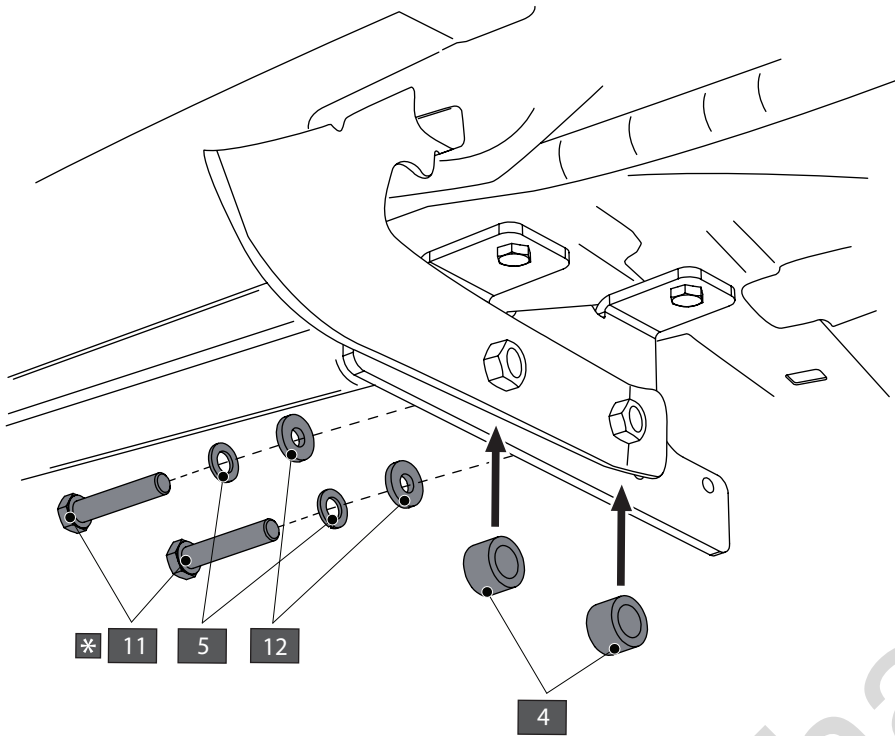


7

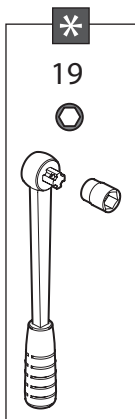
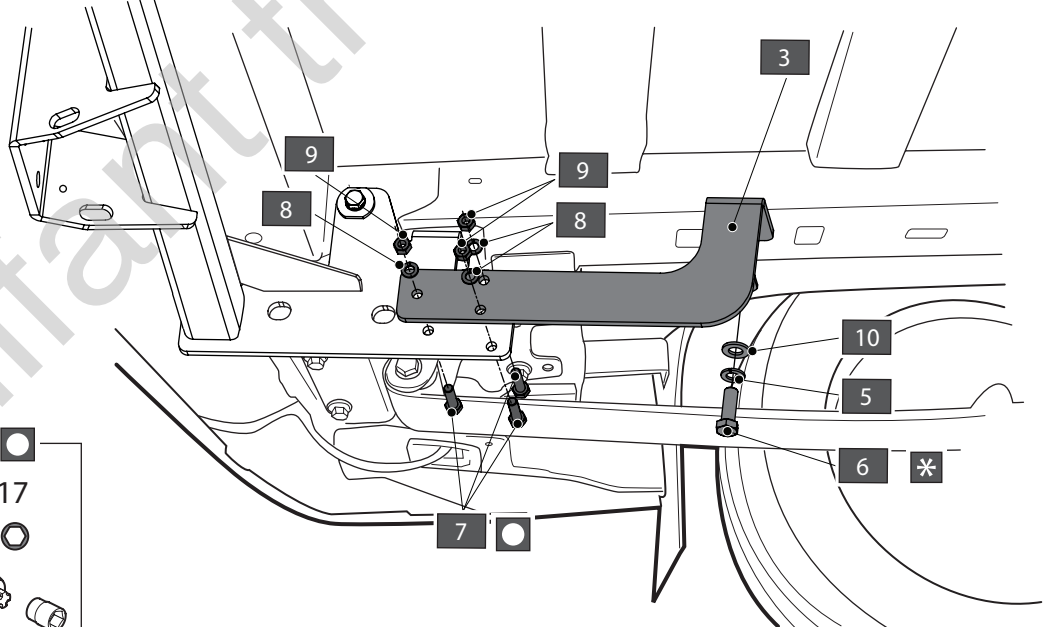
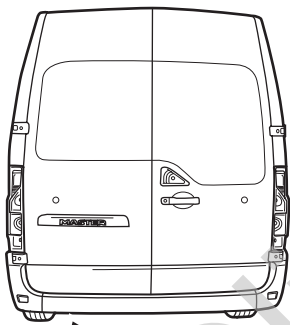


8

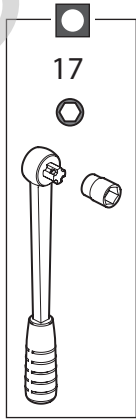




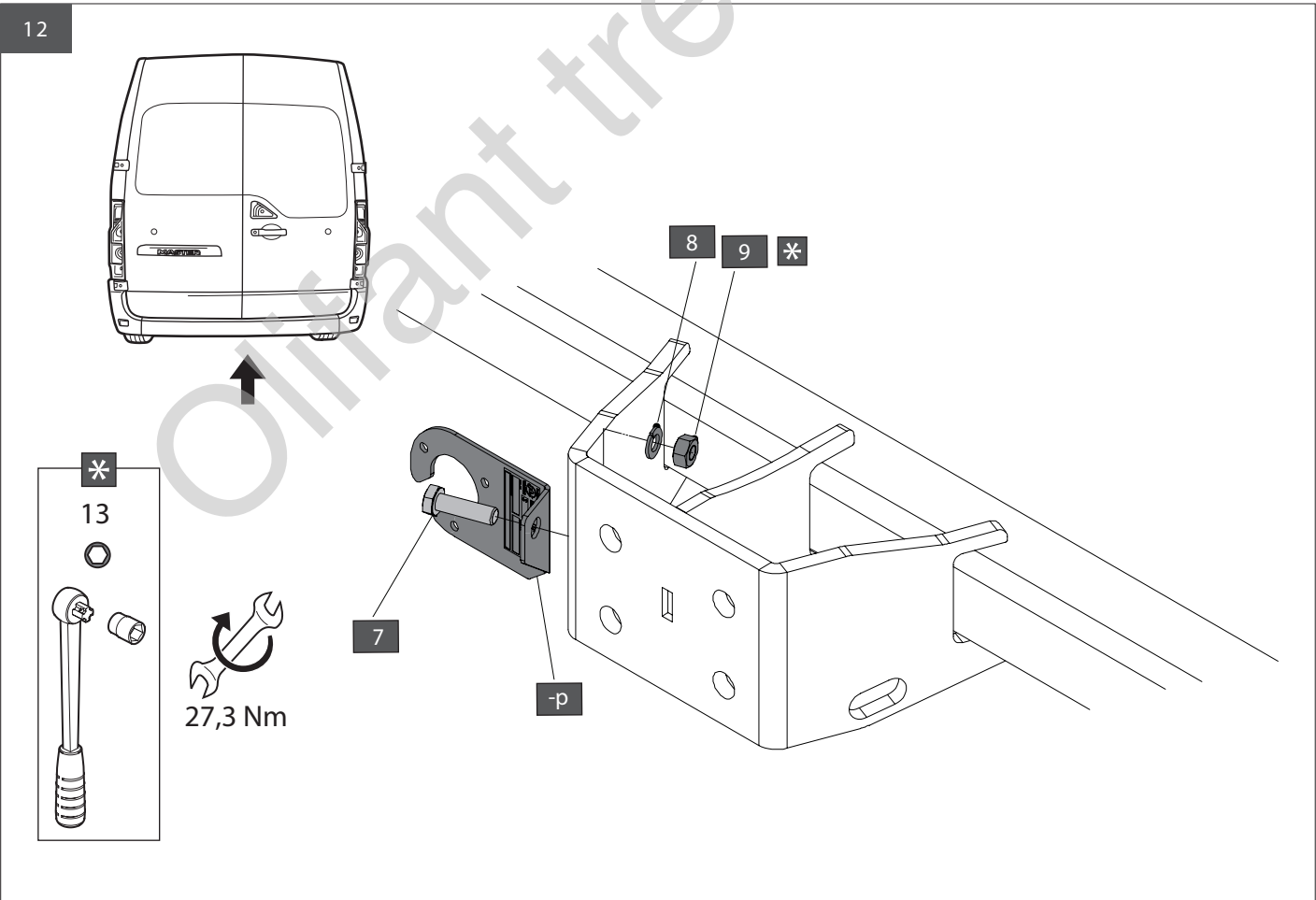
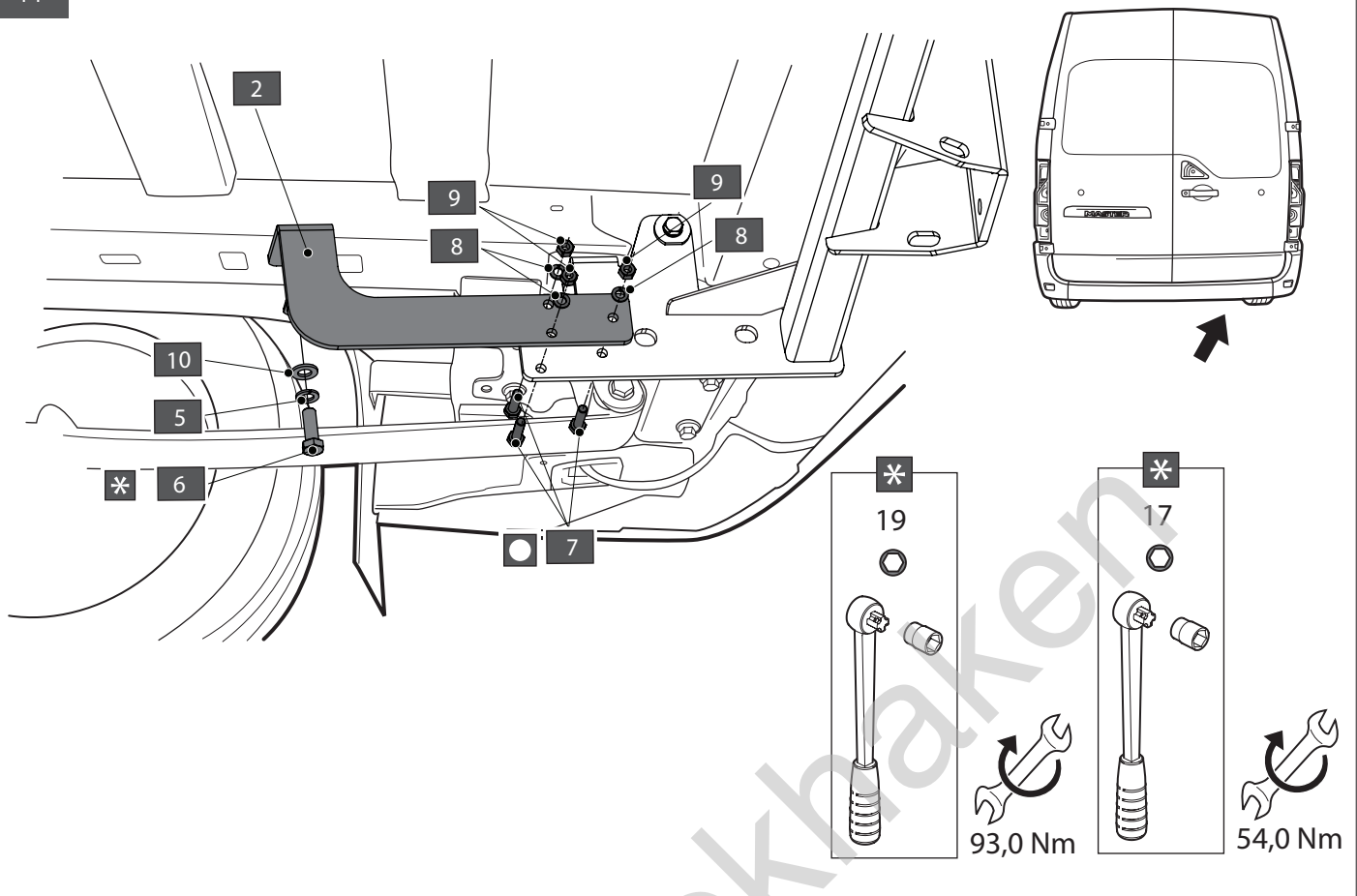
93,0 Nm

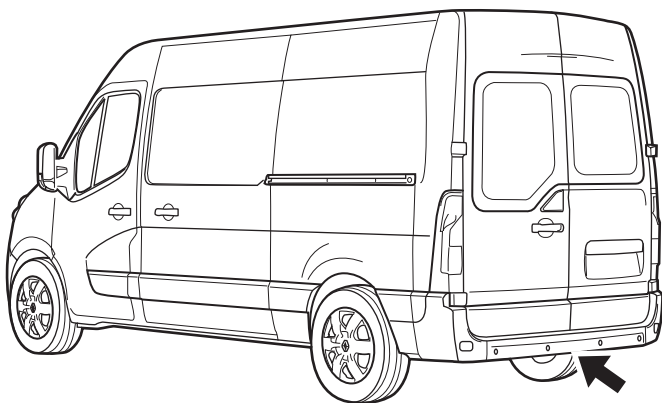


93,0 Nm

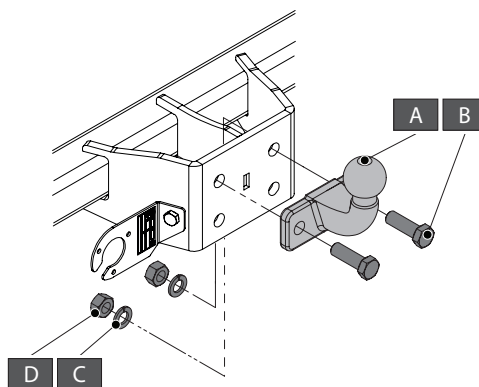


54,0 Nm

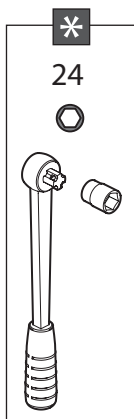
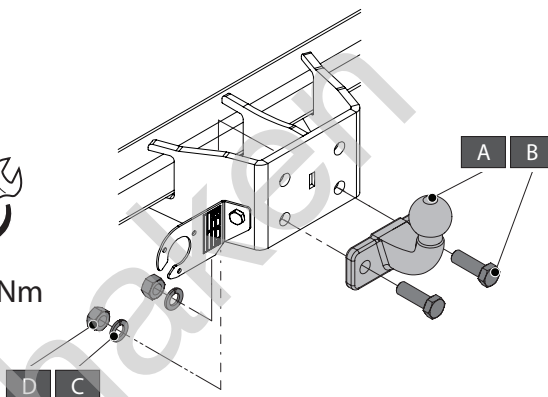




1



2



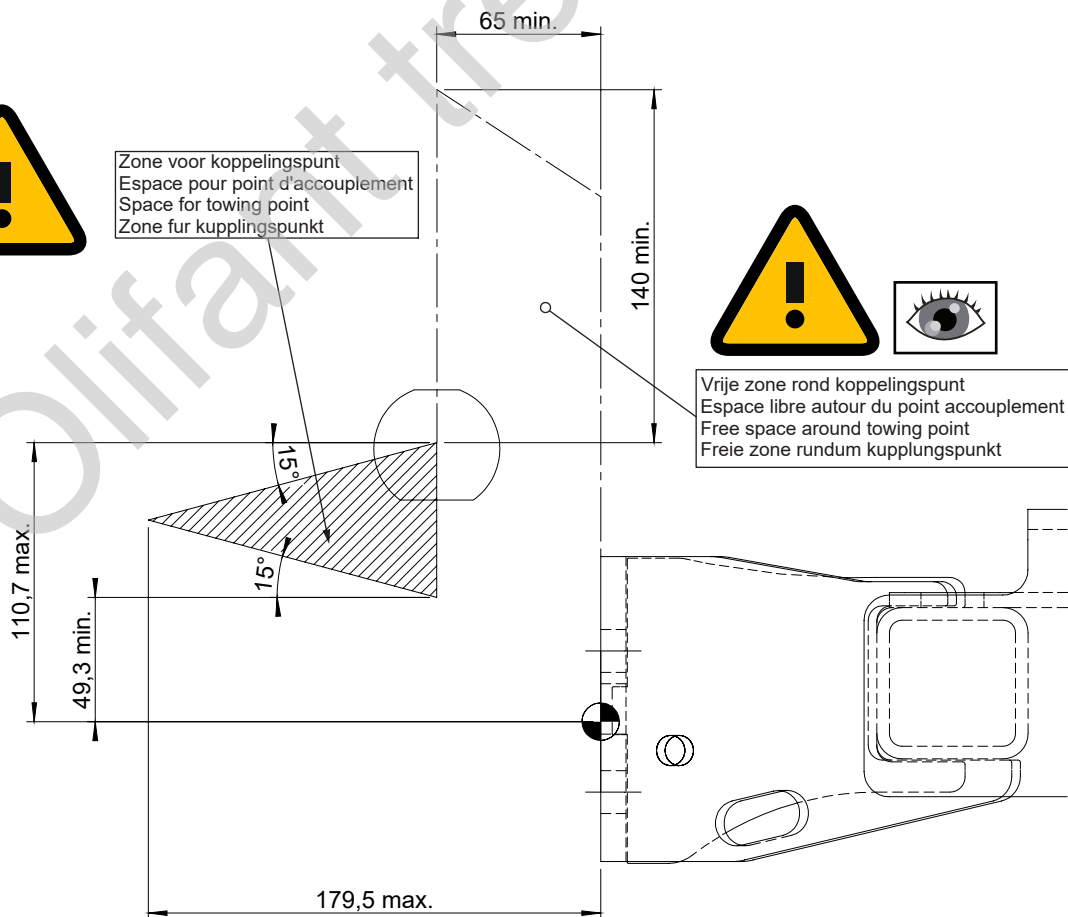
230,0 Nm

A		X1	740.000
B		X2	DIN933-M16 X 50
C		X2	DIN128A-M16
D		X2	DIN934-M16

!



Zone voor koppelpunt
Espace pour point d'accouplement
Space for towing point
Zone fur kupplingspunkt

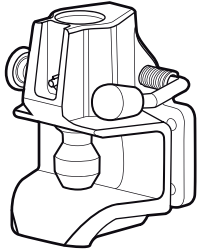


Vrije zone rond koppelpunt
Espace libre autour du point accouplement
Free space around towing point
Freie zone rundum kupplungspunkt

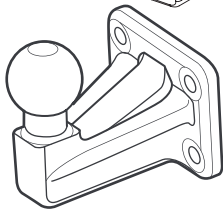
RK100WISSE

RK100BASIS

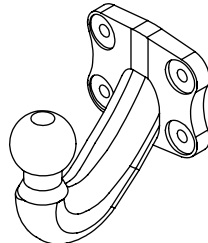
RK100KAP



RK243U115E



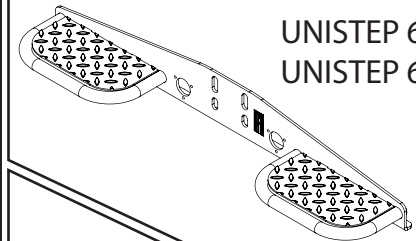
740.010



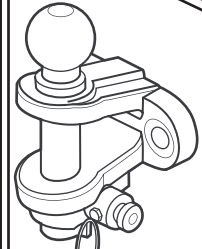
740.011



Art. **ADAPT83x56**



UNISTEP 630.100
UNISTEP 630.110



740.043

+

