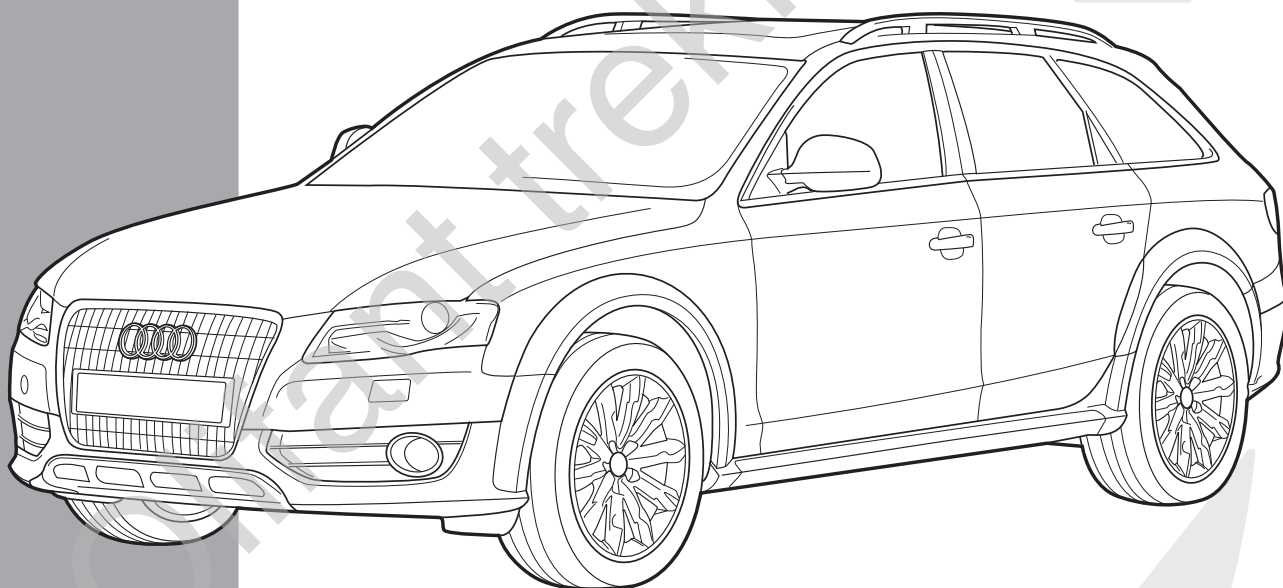




GDW NV - HOOGMOLENWEGEL 23 - B - 8790 WAREGEM TEL +32 (0)56 604212 FAX +32 (0)56 600193 GDW@GDWTOWBARS.COM

AUDI A4 ALLROAD 06/'09-





HOMOLOGATION
EC/94/20

AUDI A4 ALL ROAD 06/'09-

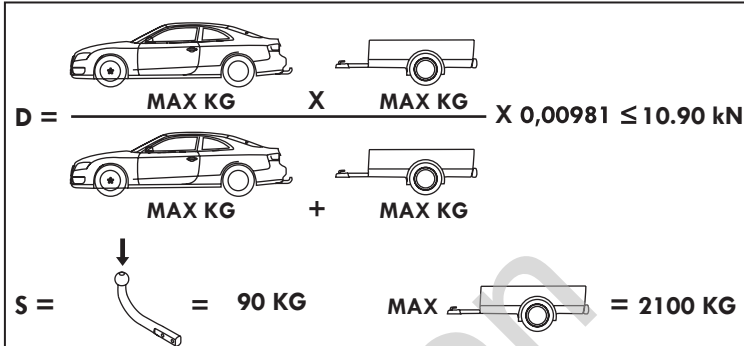
MADE BY **D 10.9** **F** **e6**

gdw

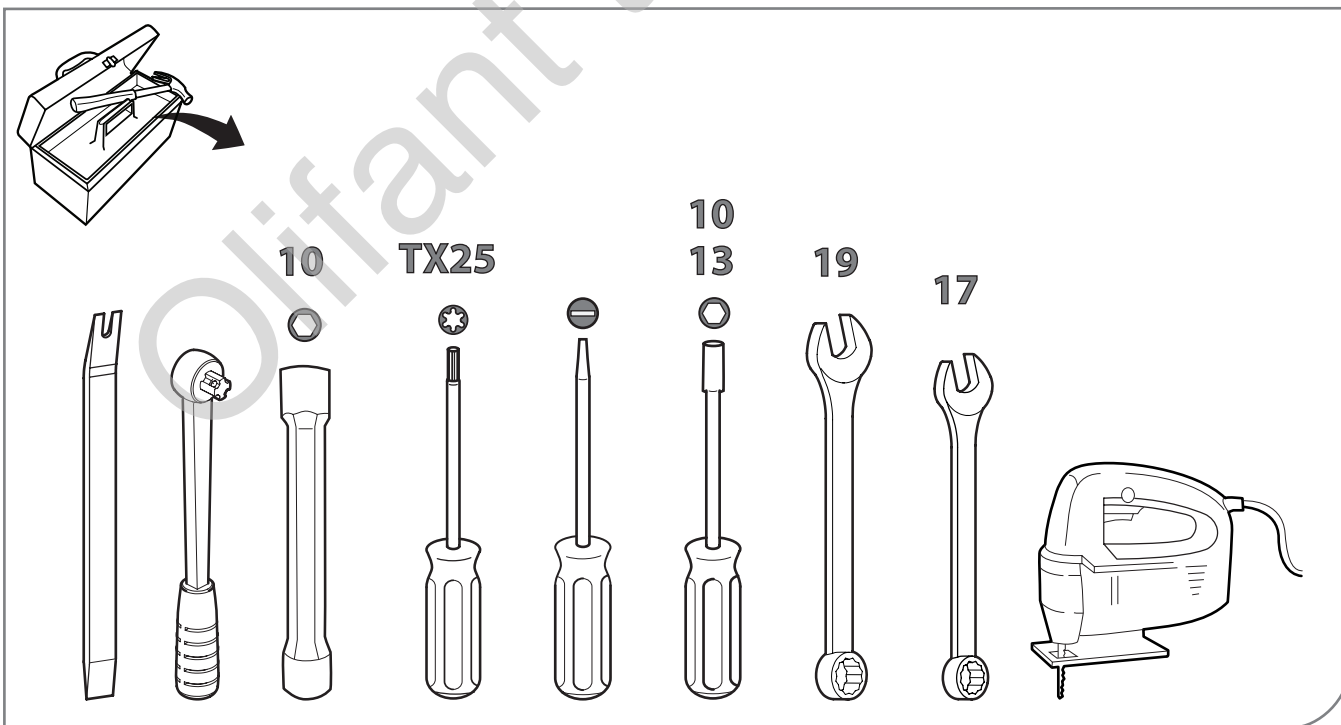
BELGIUM **S 90** **EC APPROVAL N°**
00 - 0870

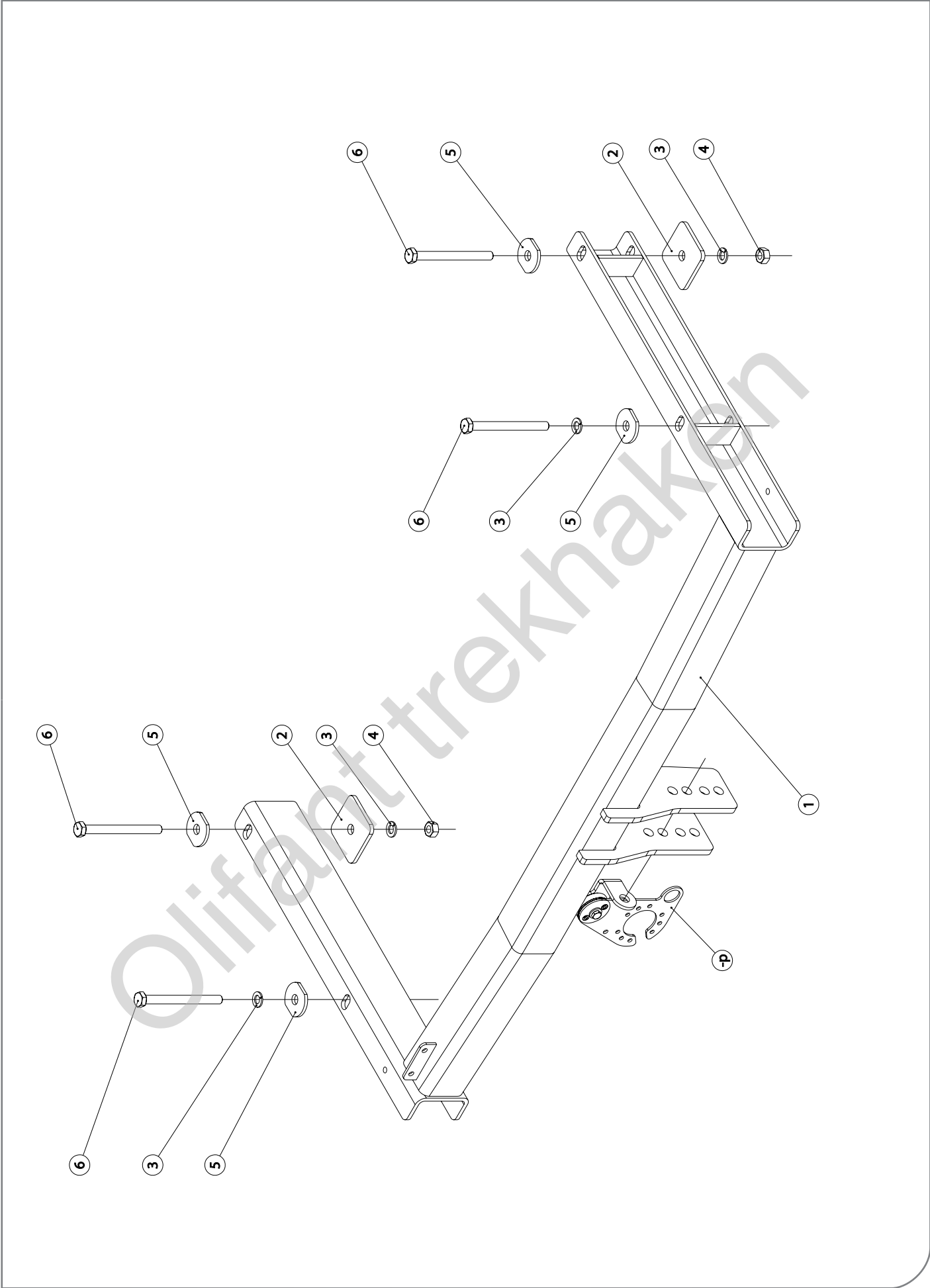
REF.N° **1806T30** **SERIE N°**
XXXX

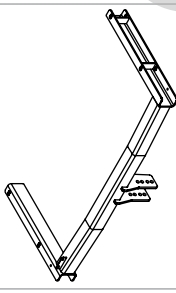





OMSCHRIJVING
AUDI A4 ALL ROAD 06/'09-

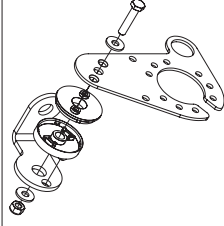


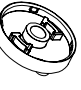

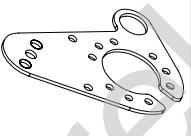










	M 6	M 8	M 10	M 12	M 14	M 16
8.8	10,4 Nm	25,0 Nm	51,0 Nm	87,0 Nm	140,0 Nm	215,0 Nm
10.9	15,5 Nm	37,0 Nm	75,0 Nm	130,0 Nm	205,0 Nm	310, Nm
12.9	18,0 Nm	43,0 Nm	87,0 Nm	150,0 Nm	240,0 Nm	370,0 Nm

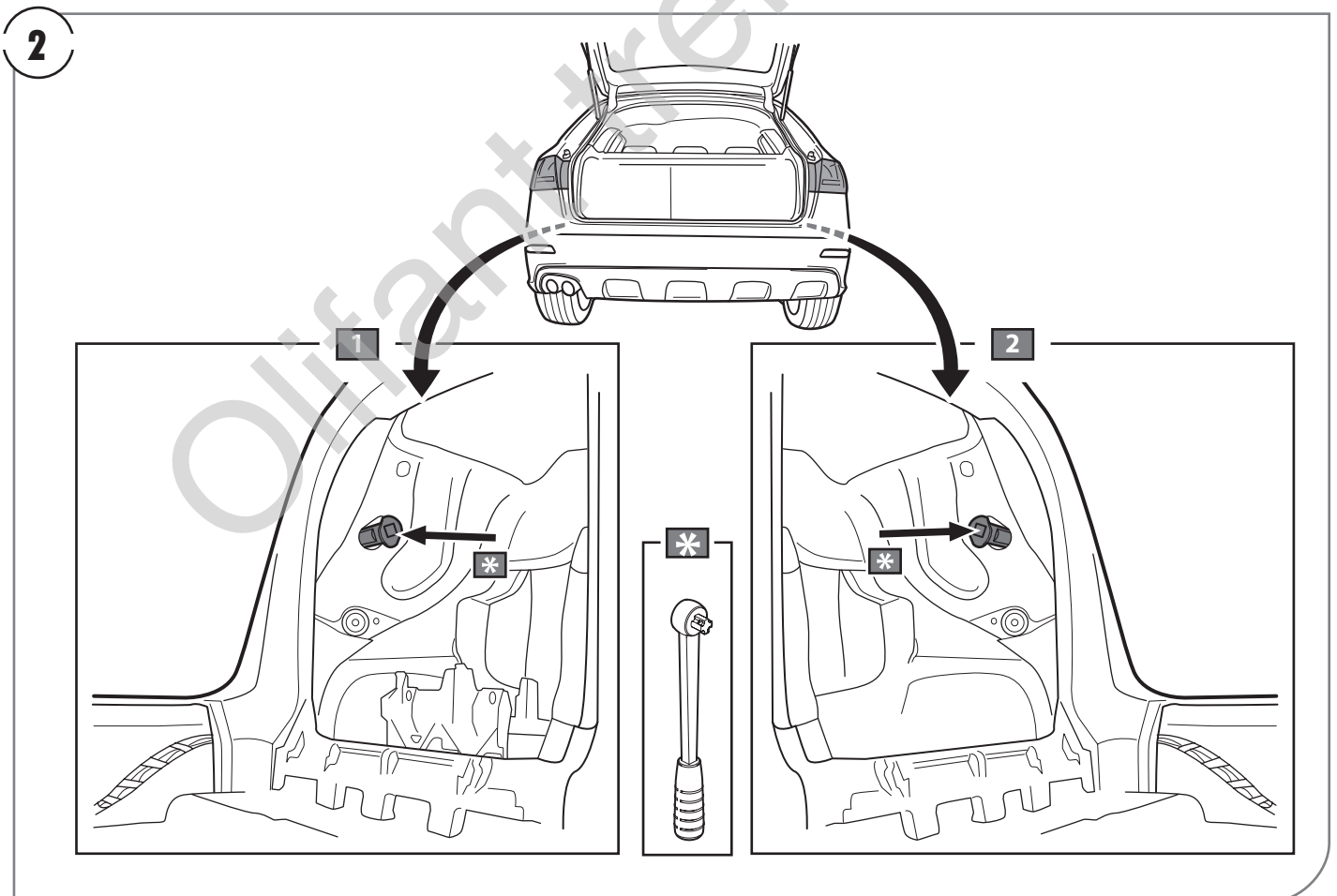
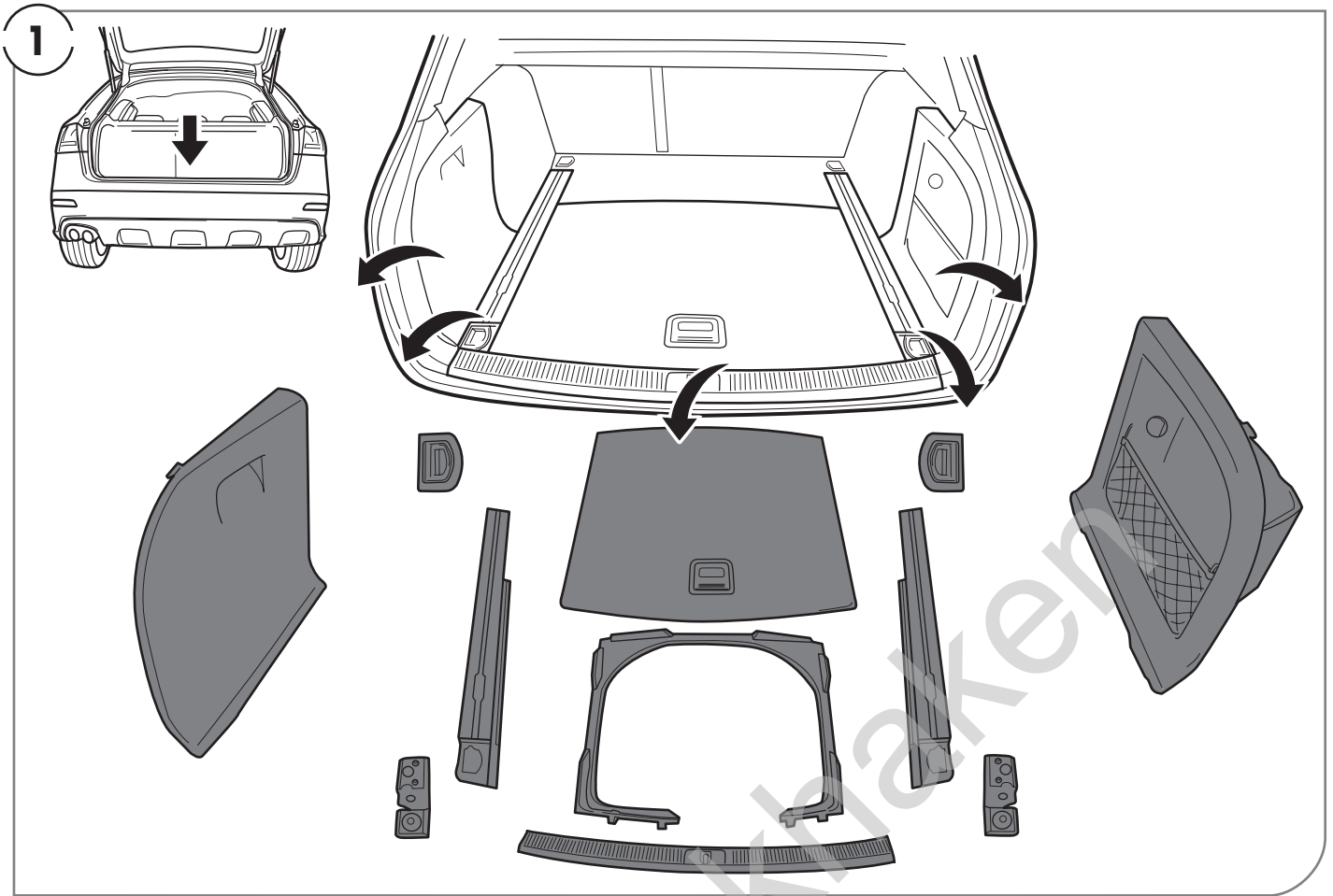




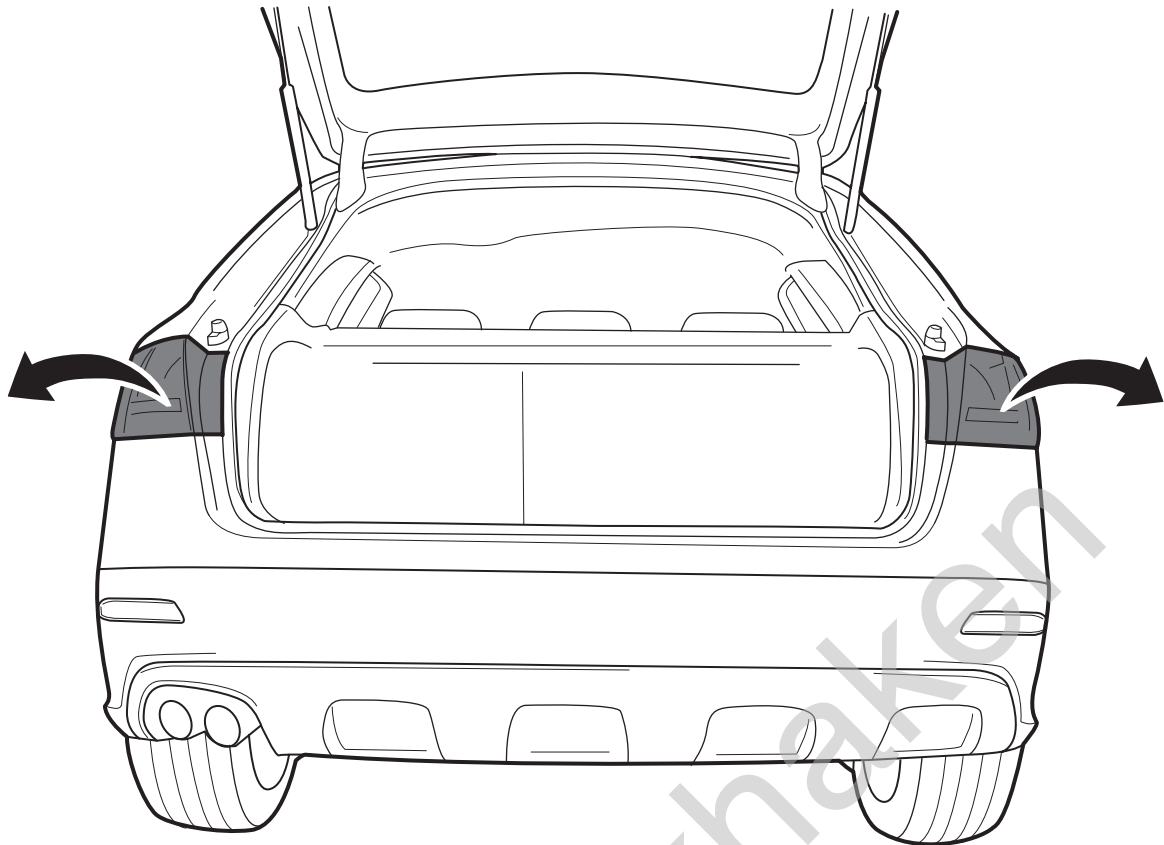
1		1x	GDW ref. 1806T30
2		2x	GDW ref. 2
3		4x	DIN128A-M10
4		2x	DIN934-M10
5		4x	GDW ref. 905003 Ø40 x 35x 12 x 4
6		4x	DIN931-M10x110

-P		X1	GDW REF. P39
↳		X1	DIN985-M6
↳		X2	6,2 X 15,4 X 1,6 (NYLON)
↳		X1	GDW REF. 718.16.002
↳		X1	GDW REF. 718.16.003
↳		X1	GDW REF. 908.094
↳		X1	DIN933-M6 X 30
↳		X1	GDW REF. 908.095

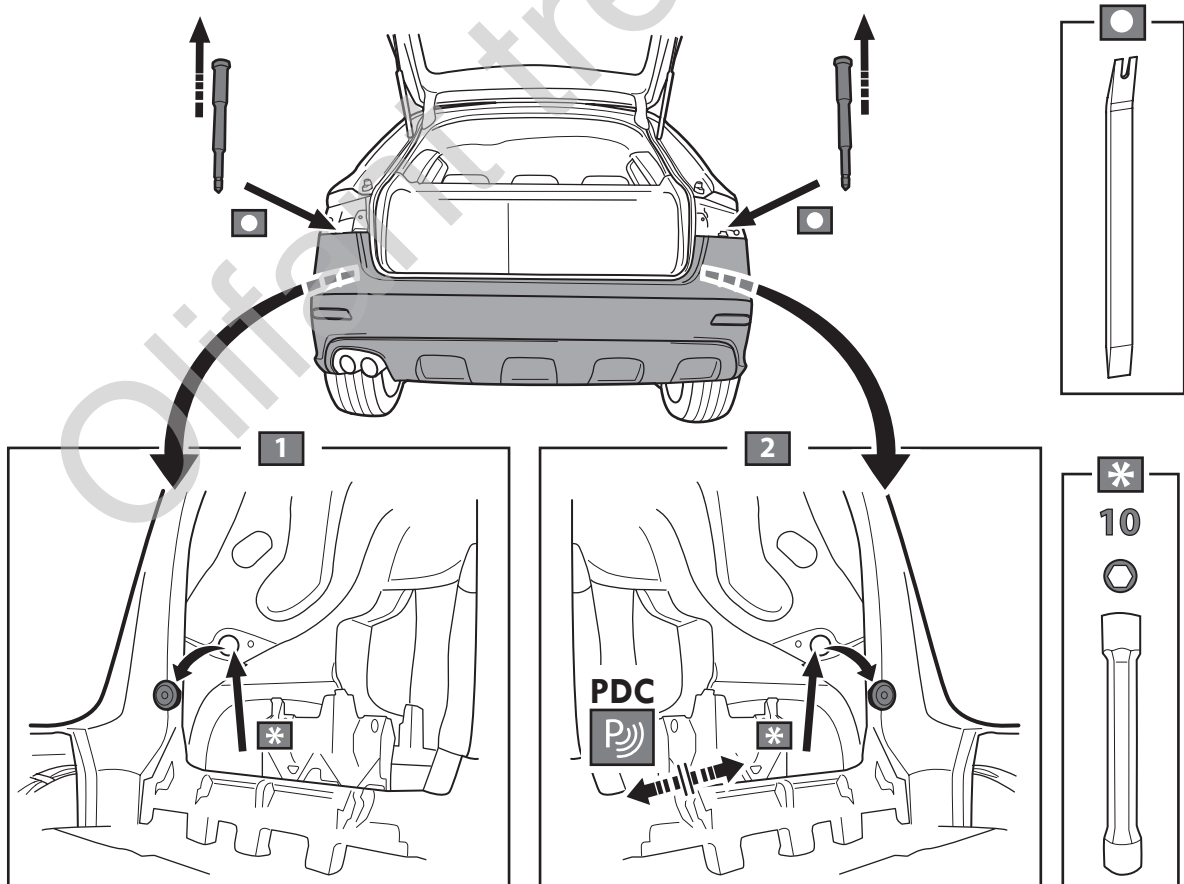
Geleverd met - Livré avec - Delivered with Geliefert mit - Elementos adjuntos-Leveres med		
	1x	T30
	1x	DIN933-M12x30
	3x	DIN933-M12x25
	4x	DIN125A-M12
	4x	DIN128A-M12
	1x	GDW ref. 800053



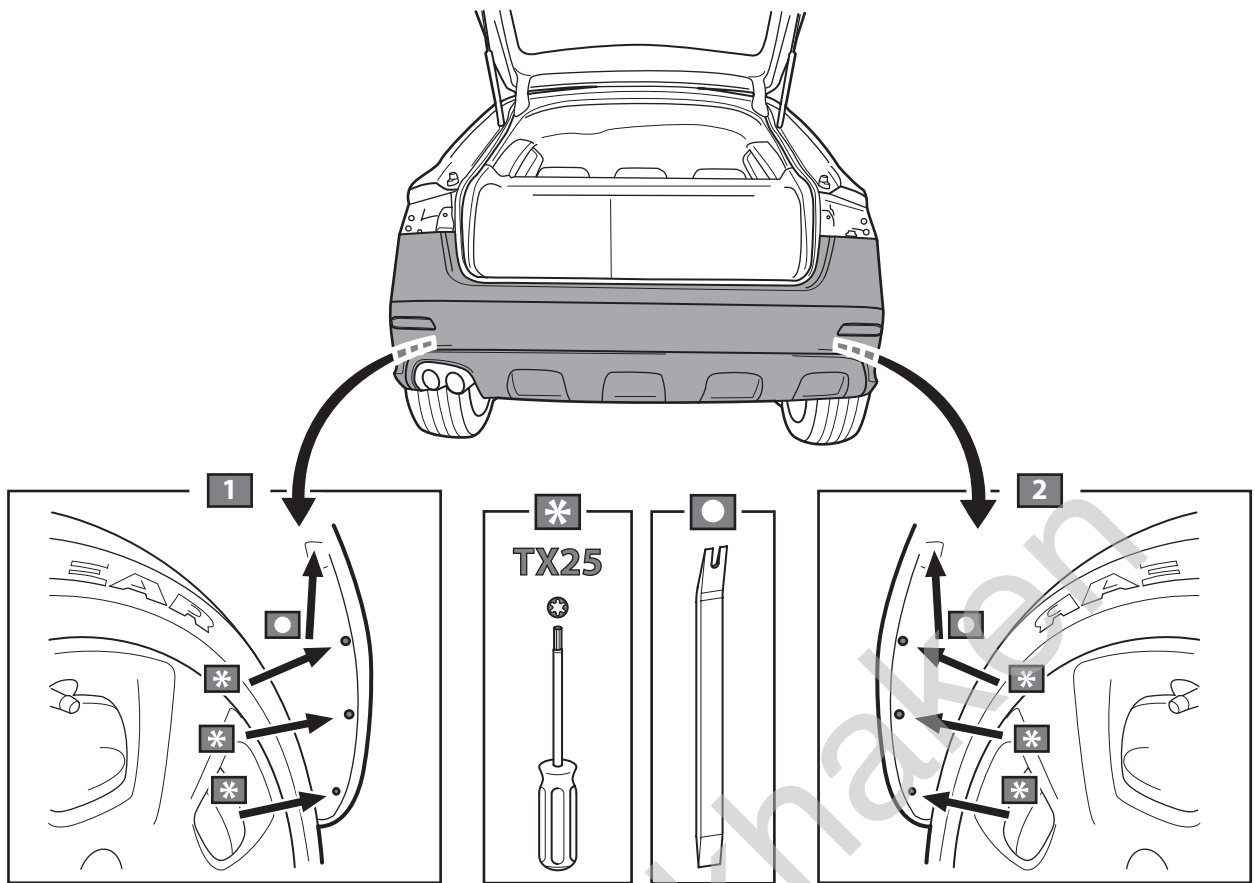
3



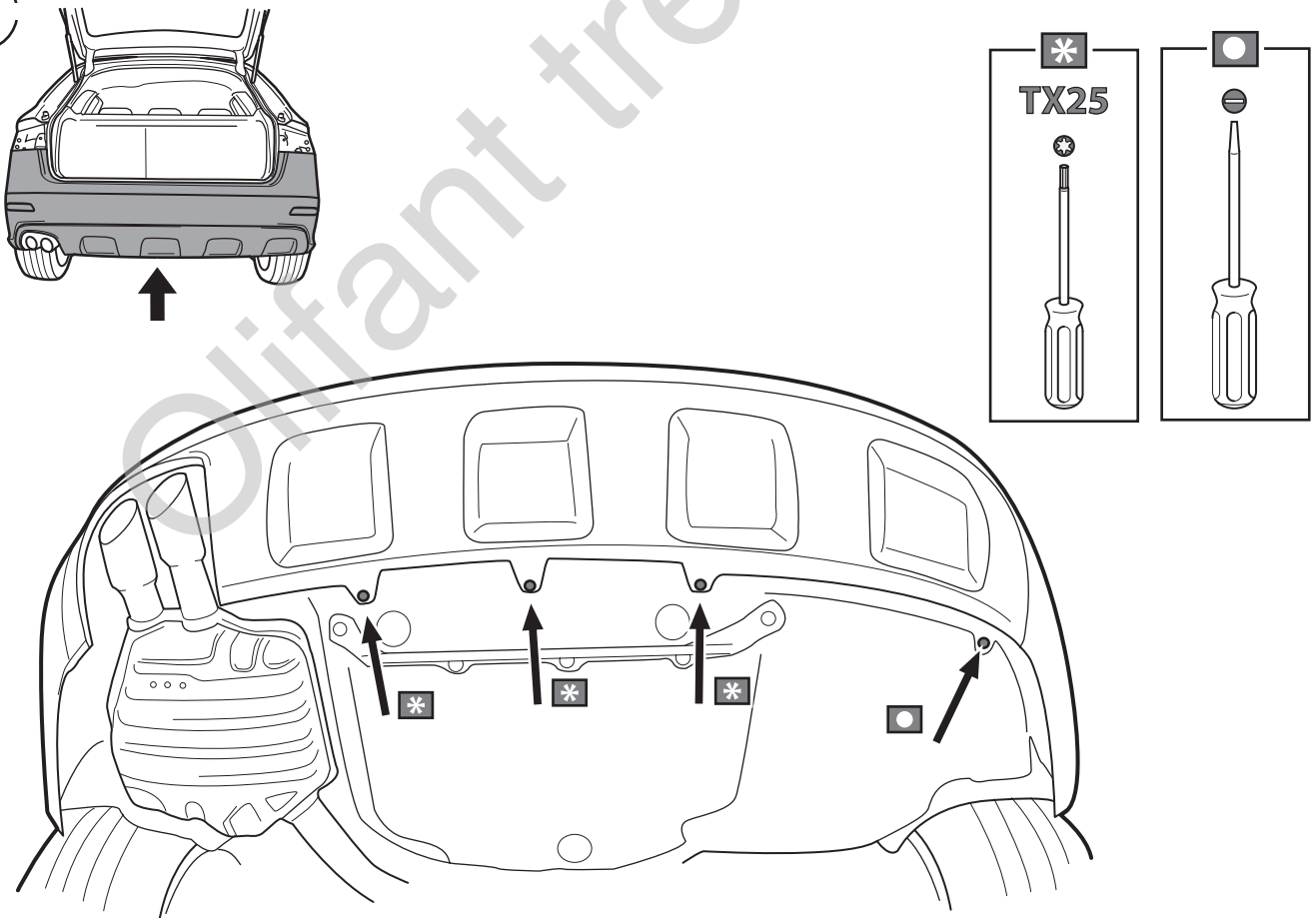
4



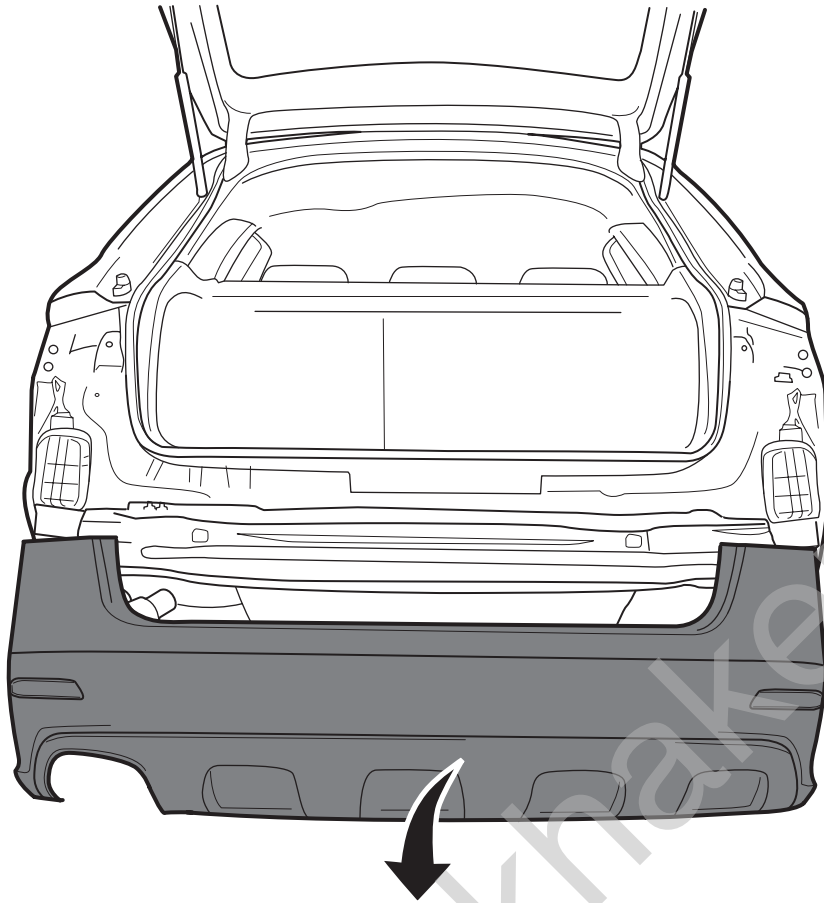
5



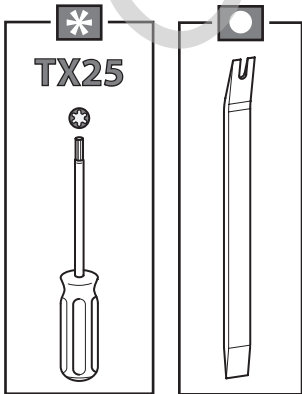
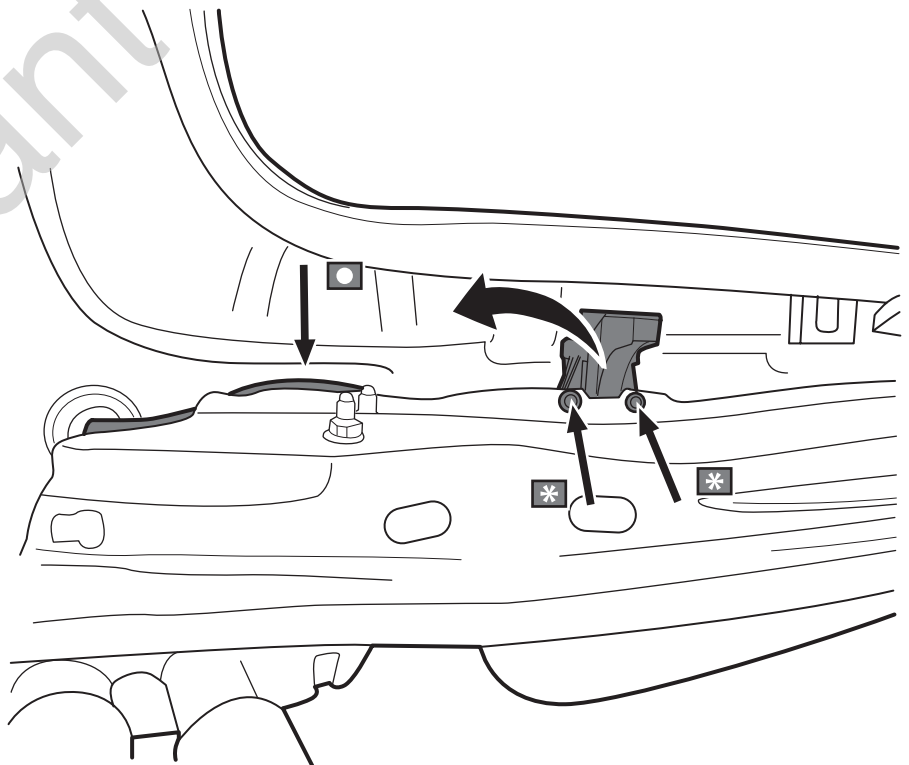
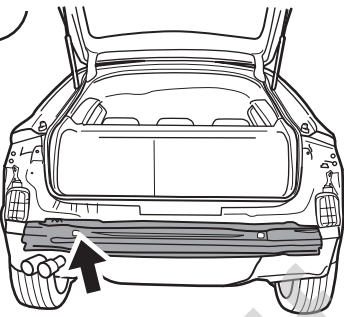
6



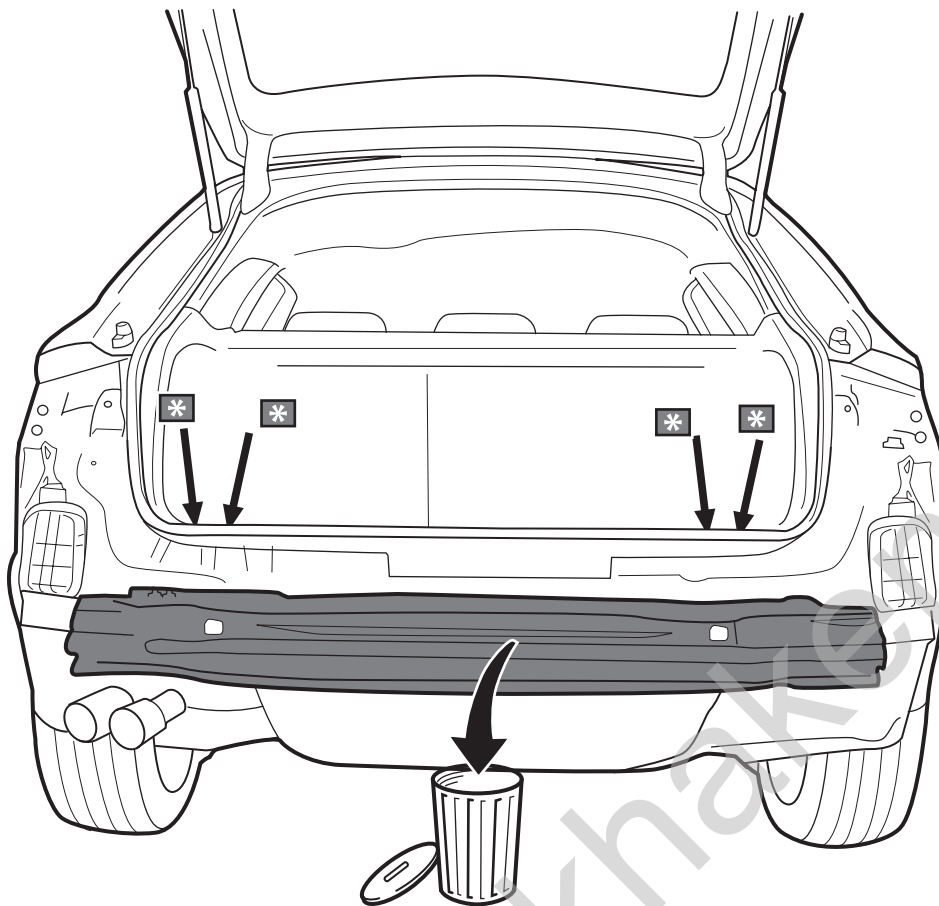
7



8



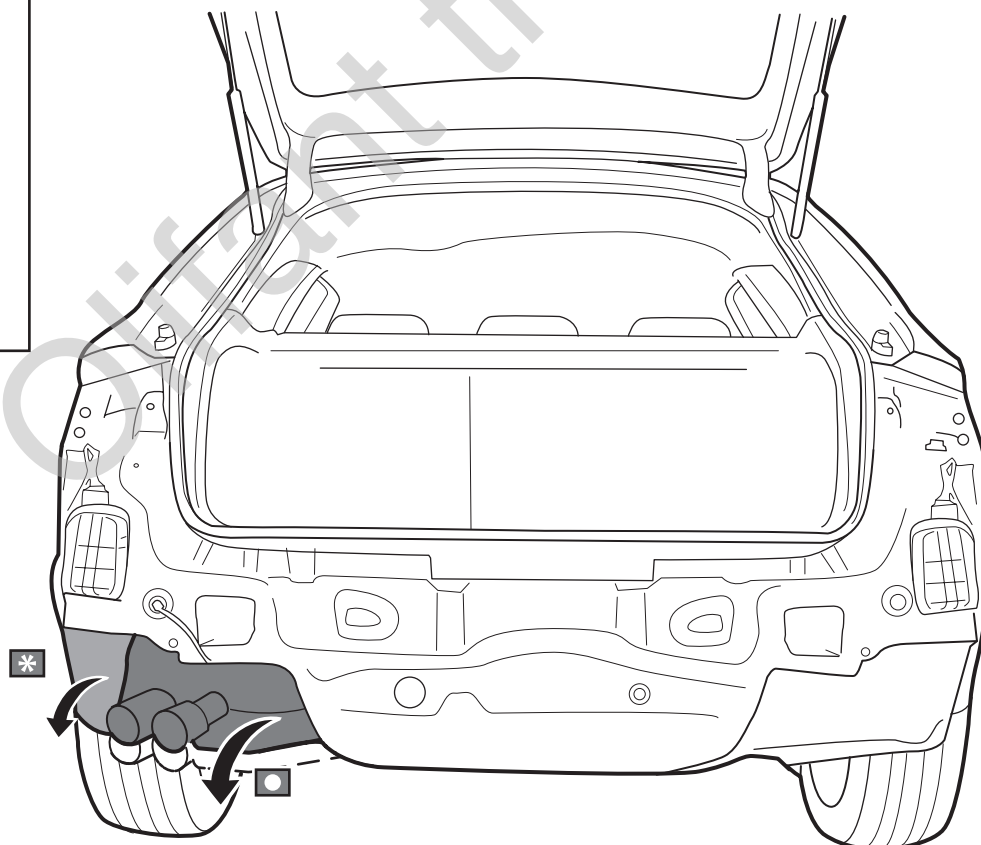
9



10

*

10



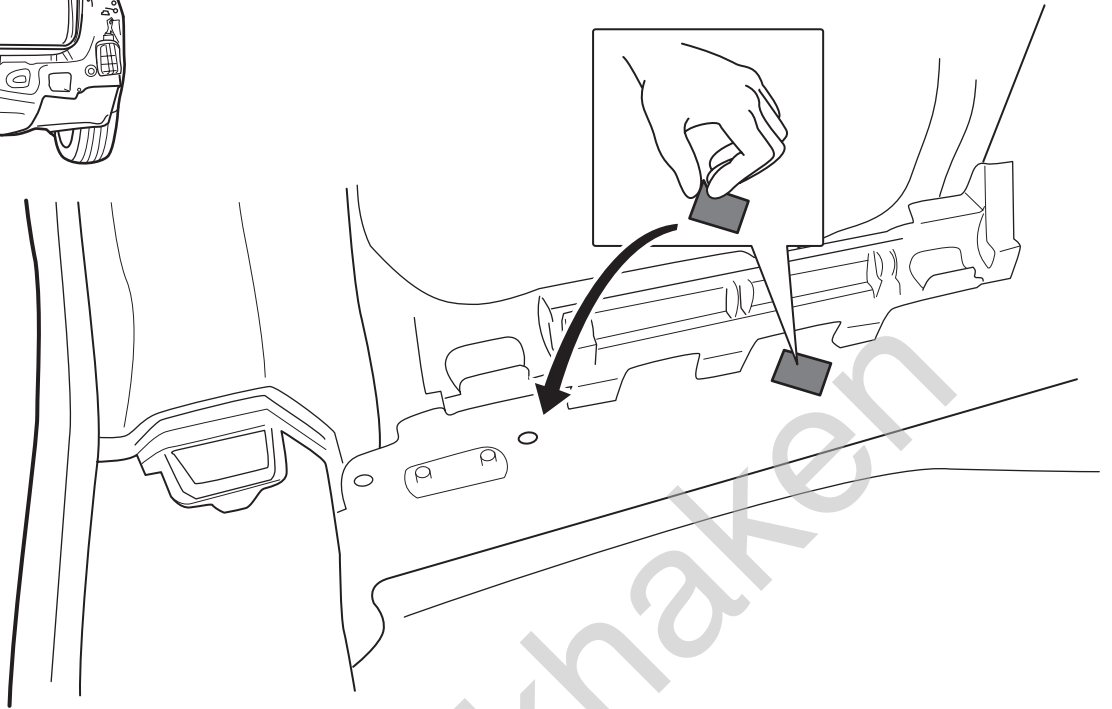
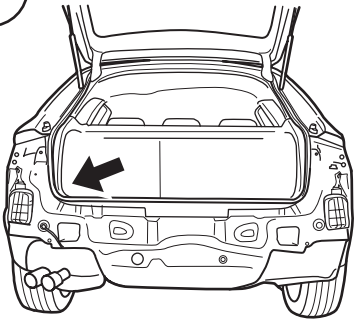
13

13

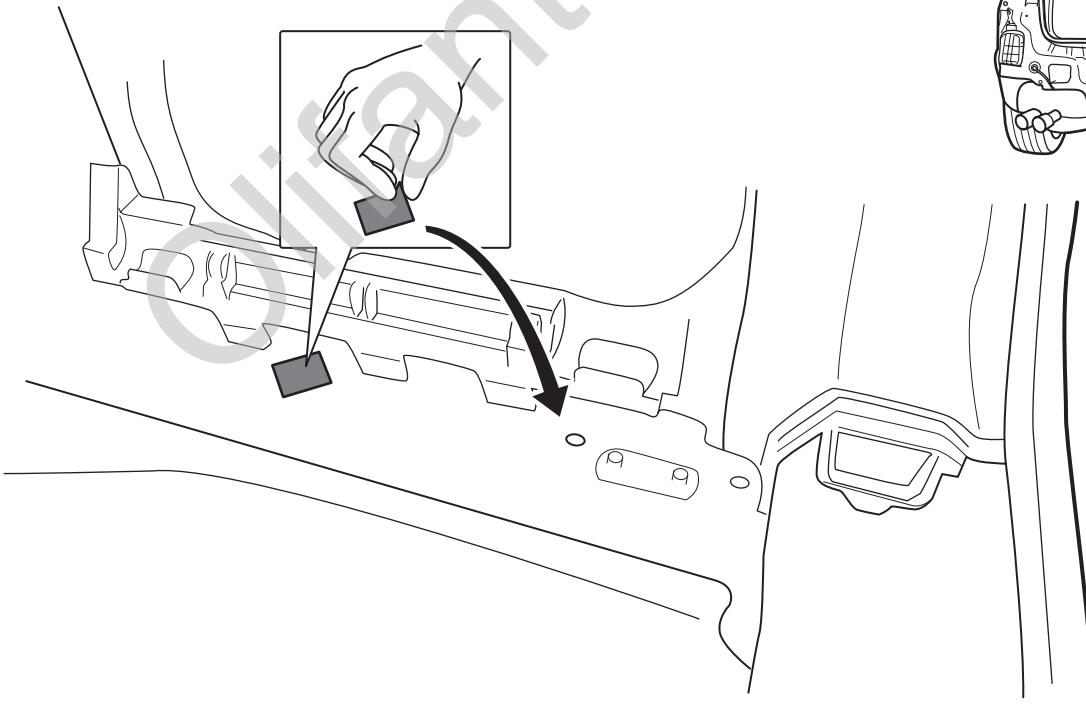
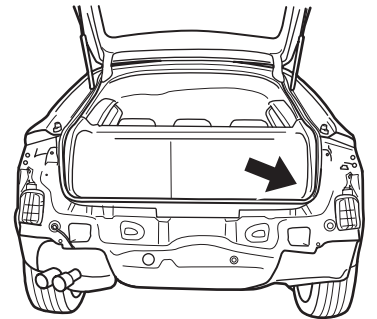


11

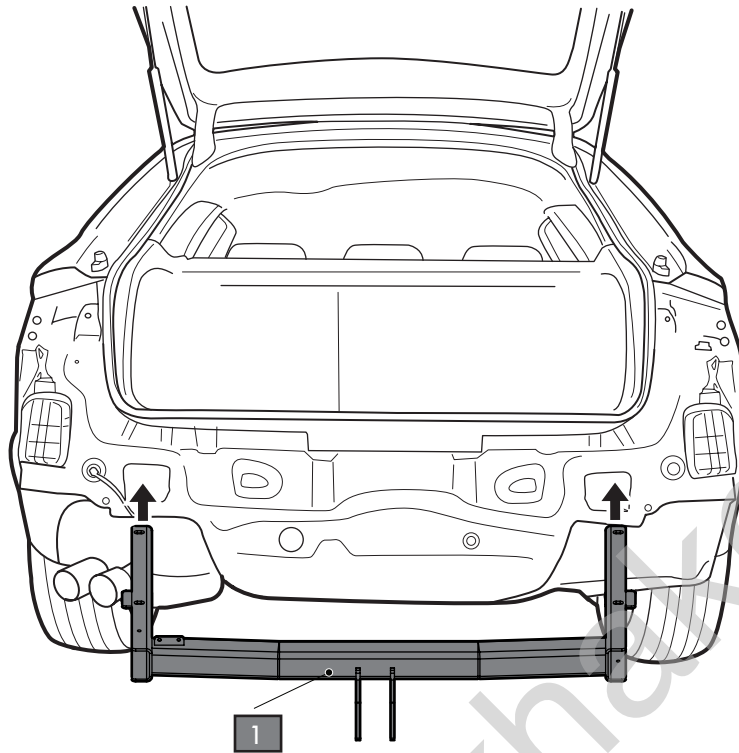
11



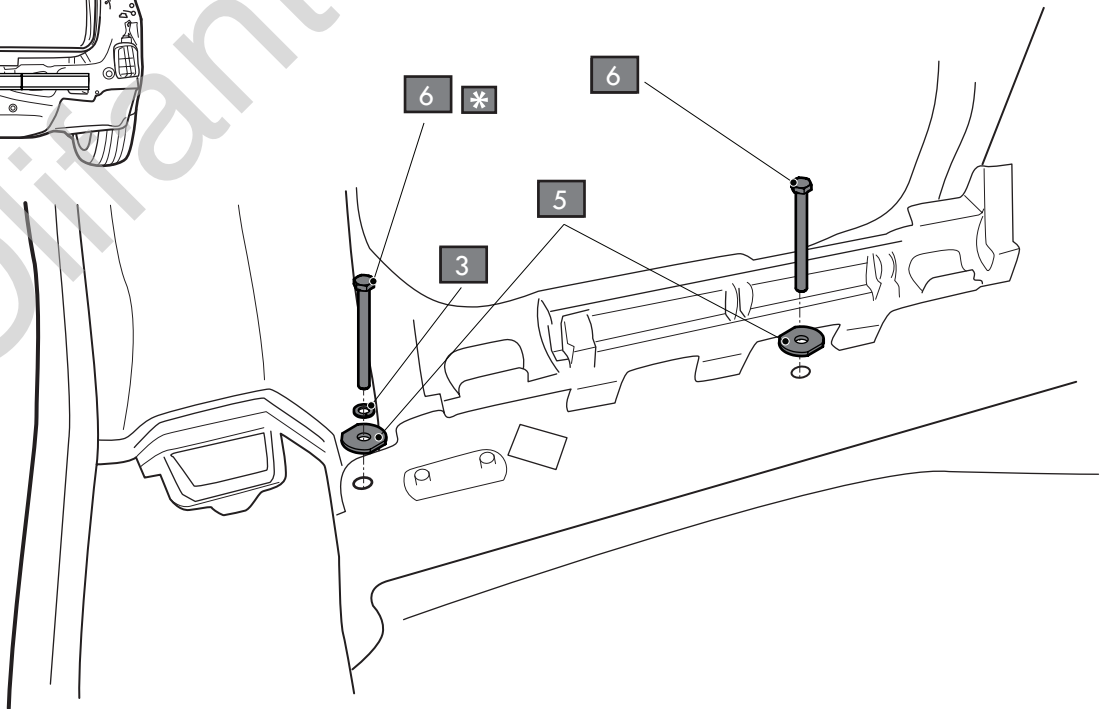
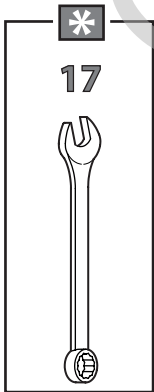
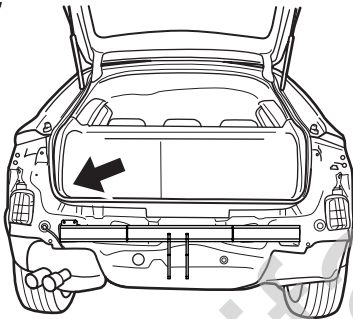
12



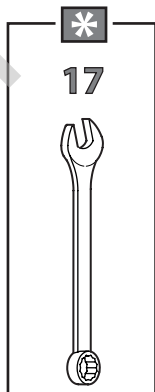
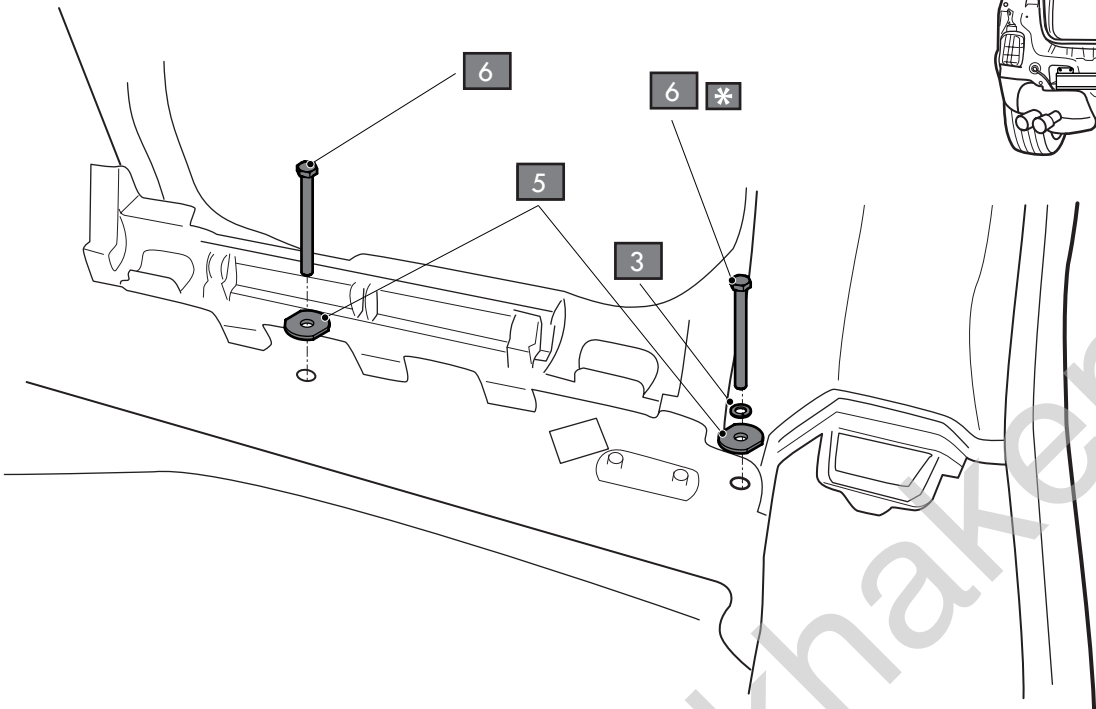
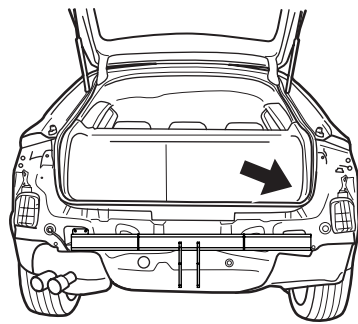
13



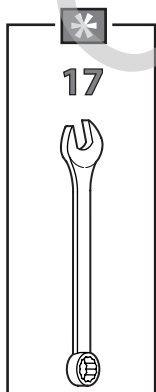
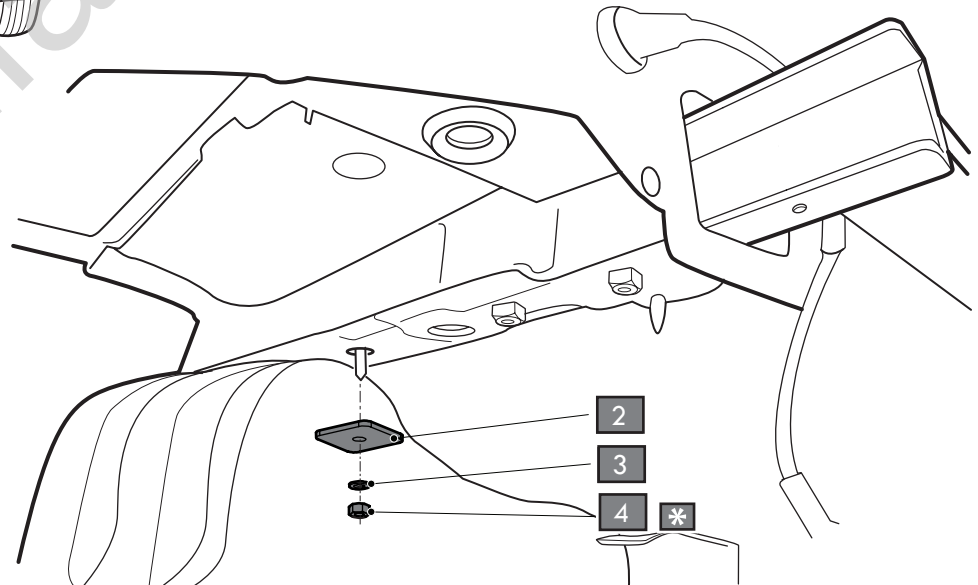
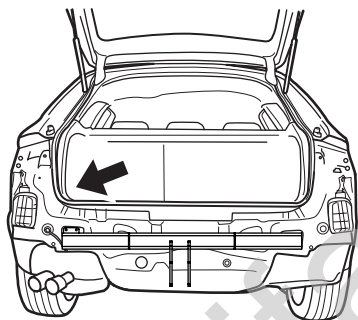
14



15

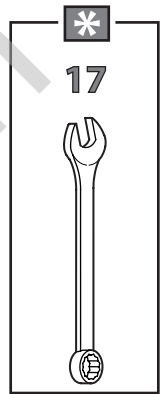
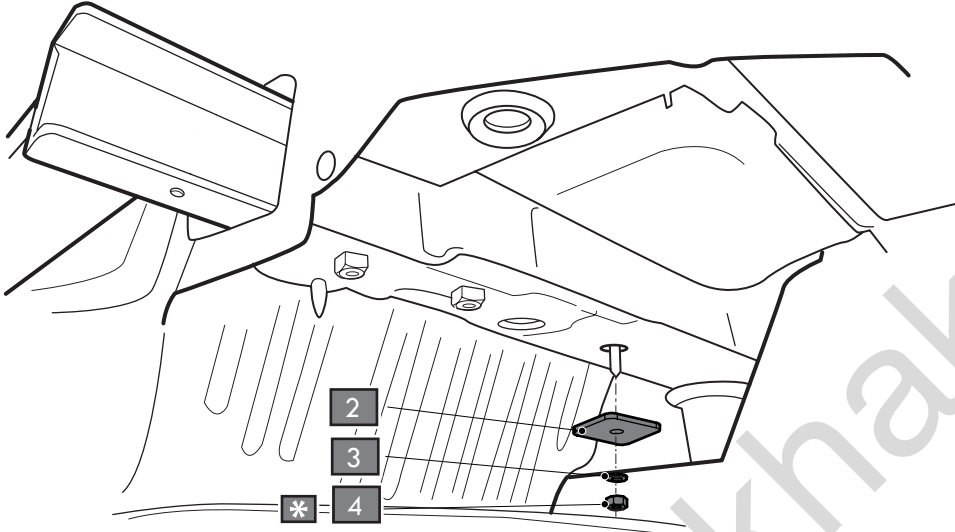
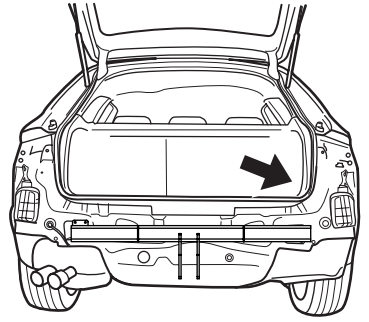


16

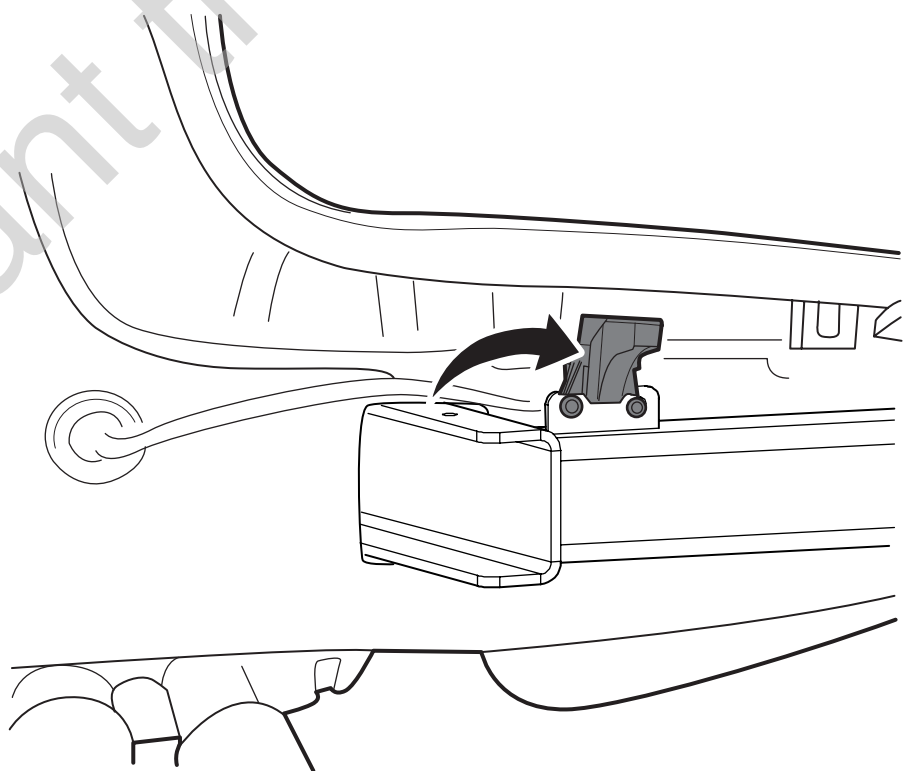
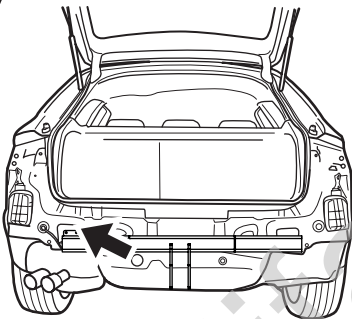


14

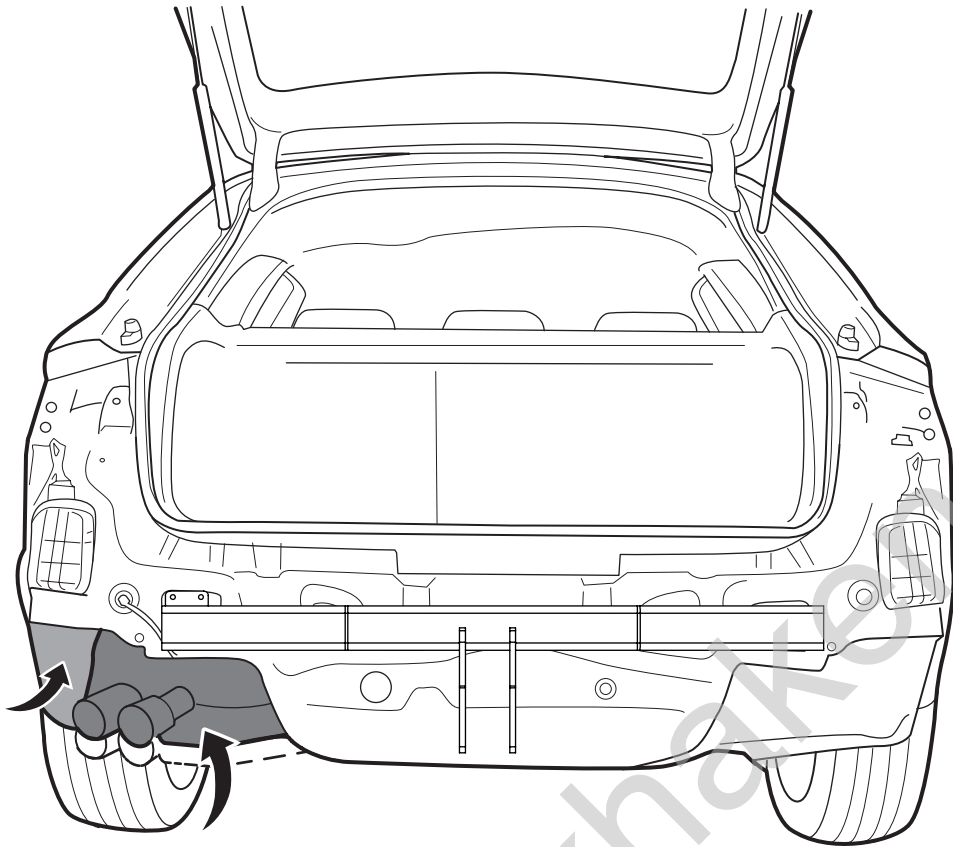
17



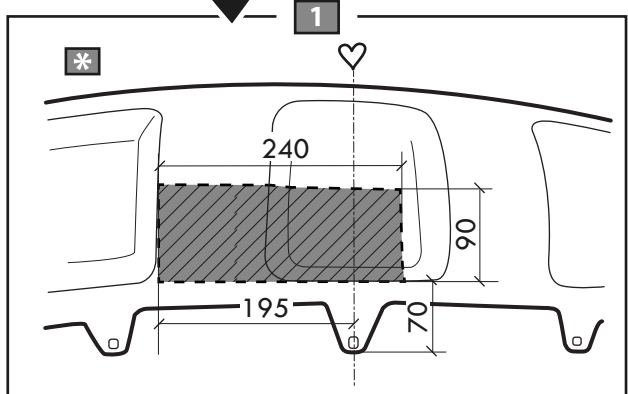
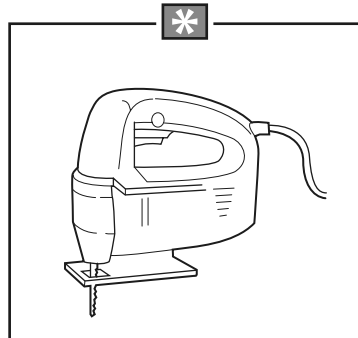
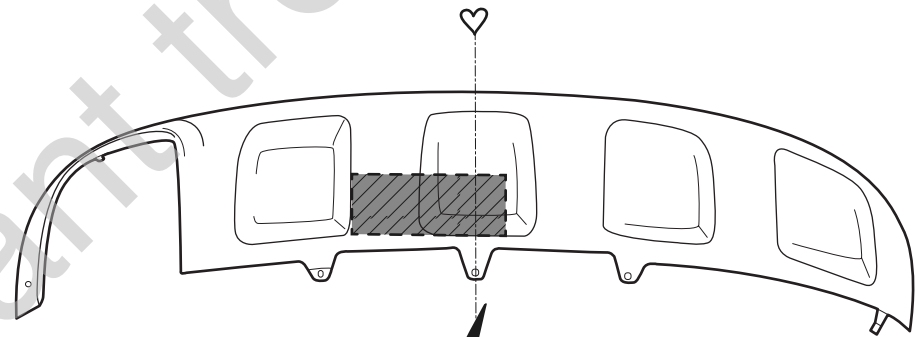
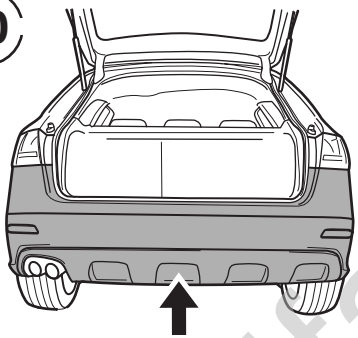
18



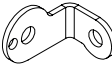




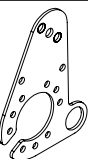
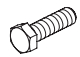
19

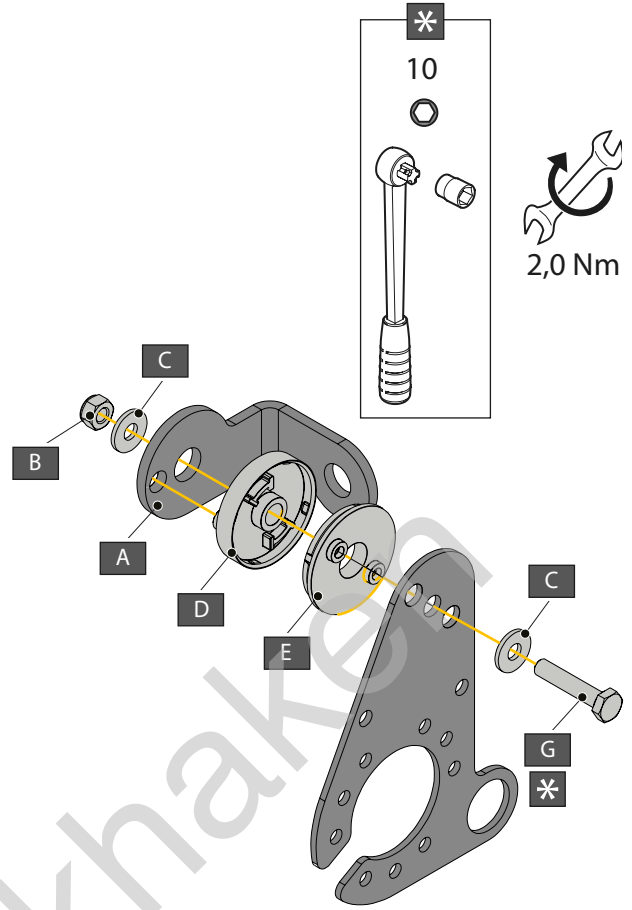


20

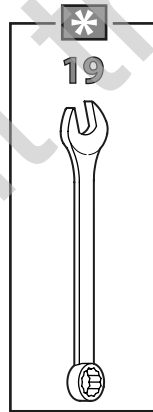
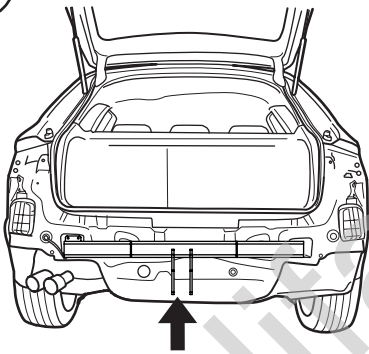


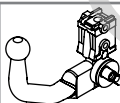




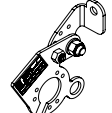
21

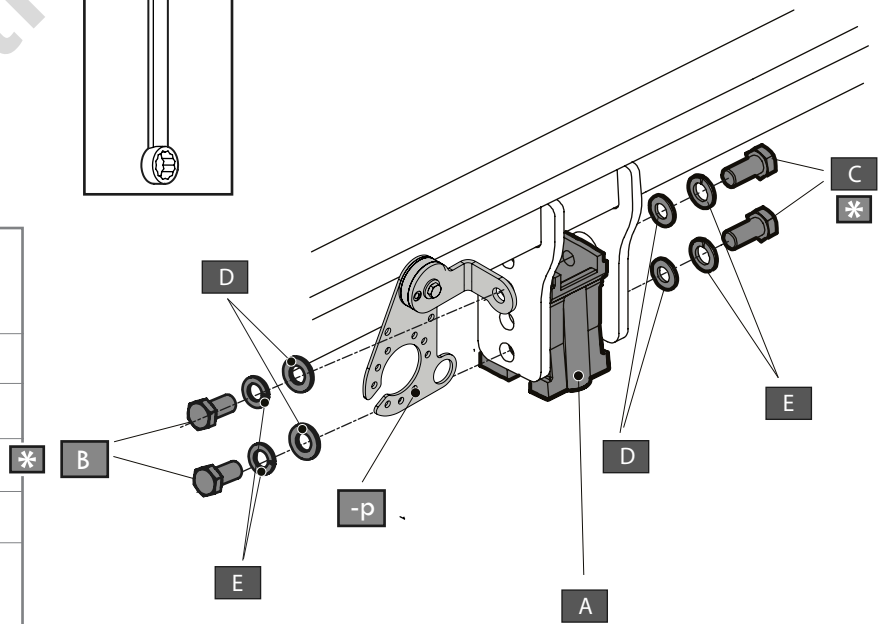
A		X1	GDW REF. 908.095
B		X1	DIN985-M6
C		X2	6,2 X 15,4 X 1,6 (NYLON)
D		X1	GDW REF. 718.16.002
E		X1	GDW REF. 718.16.003
F		X1	GDW REF. 908.094
G		X1	DIN933-M6 X 30



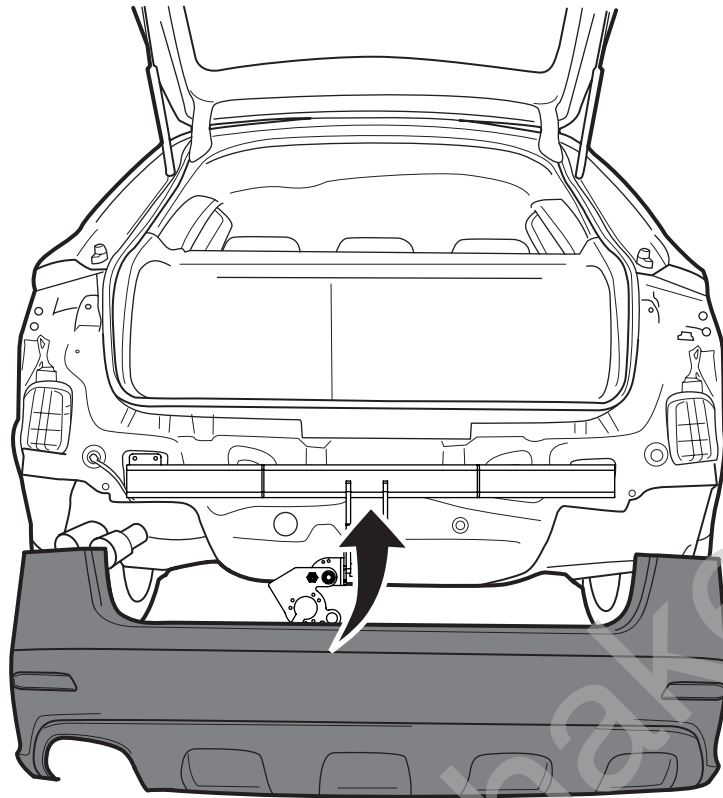
22



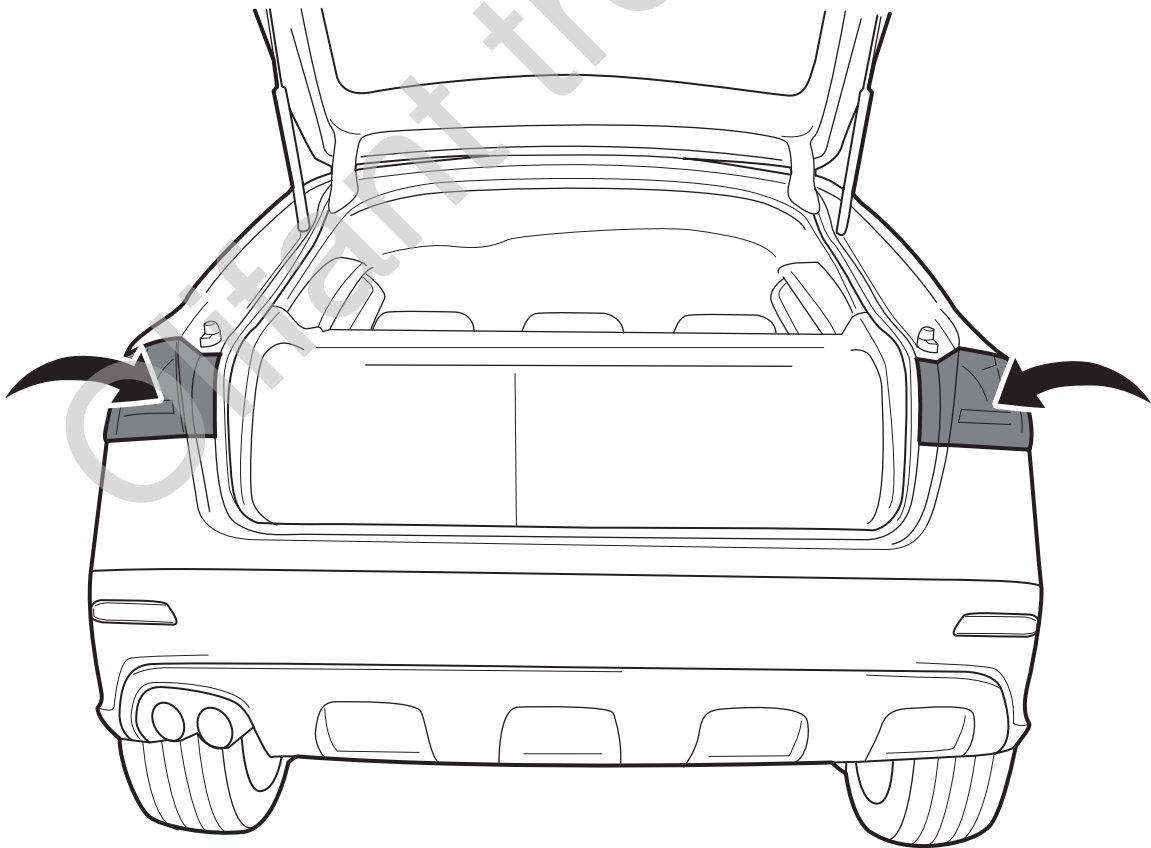
A		1x	T30
B		2x	DIN933-M12x30
C		2x	DIN933-M12x25
D		4x	DIN125A-M12
E		4x	DIN128A-M12
7		1x	GDW ref. P25 + 1806T30-060



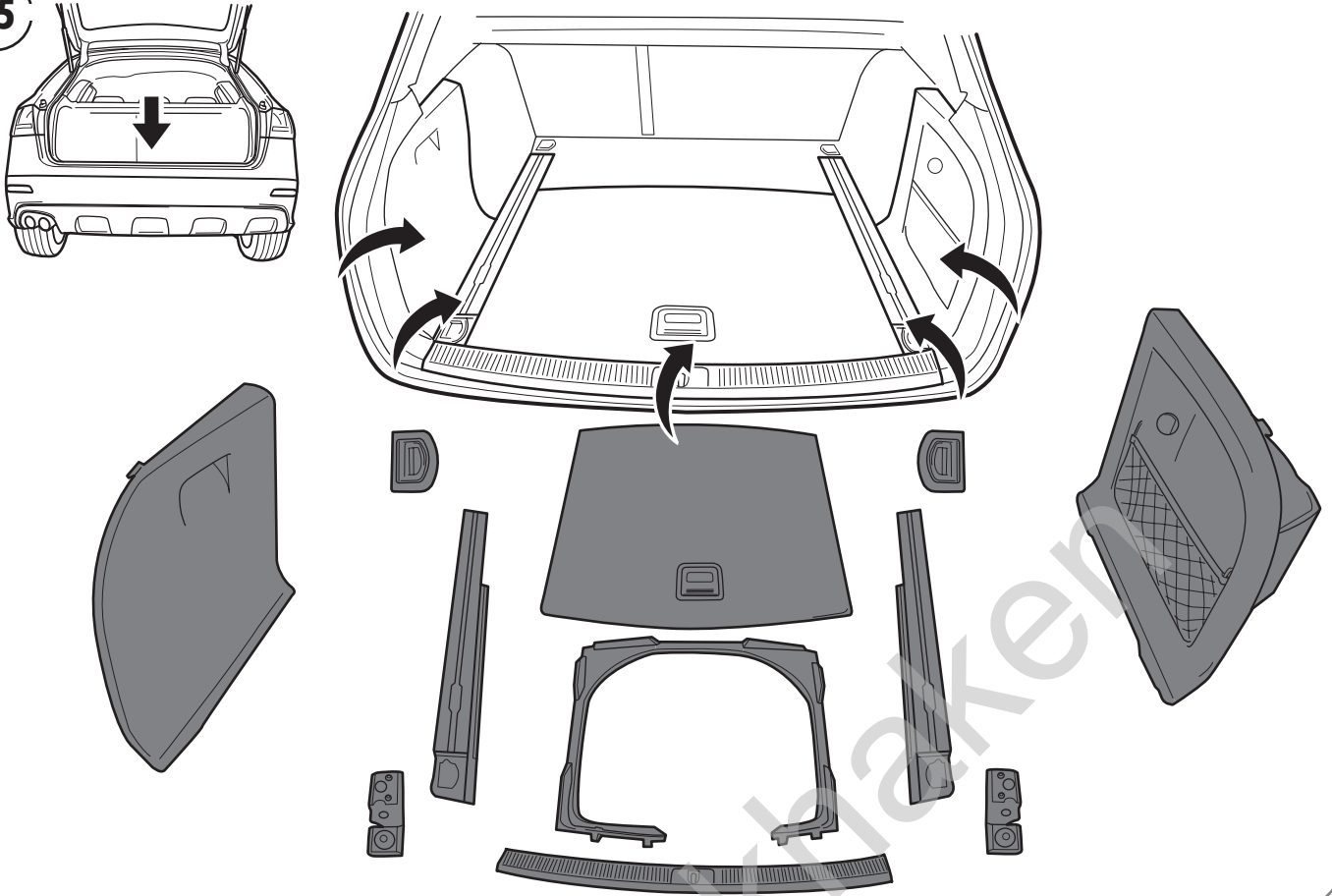
23



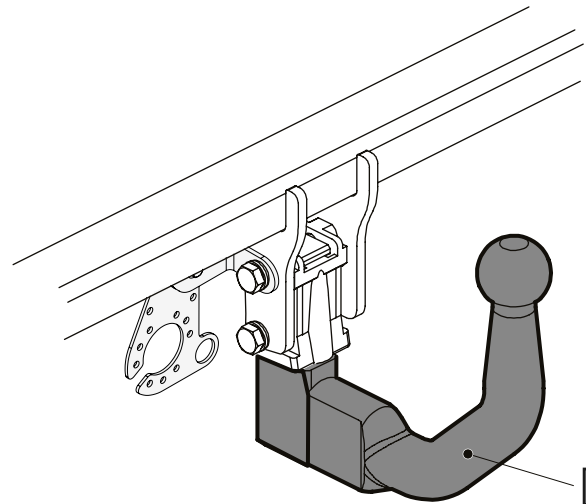
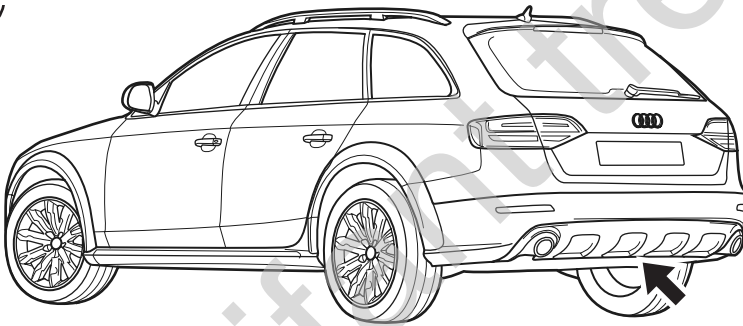
24



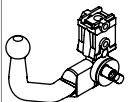
25



26



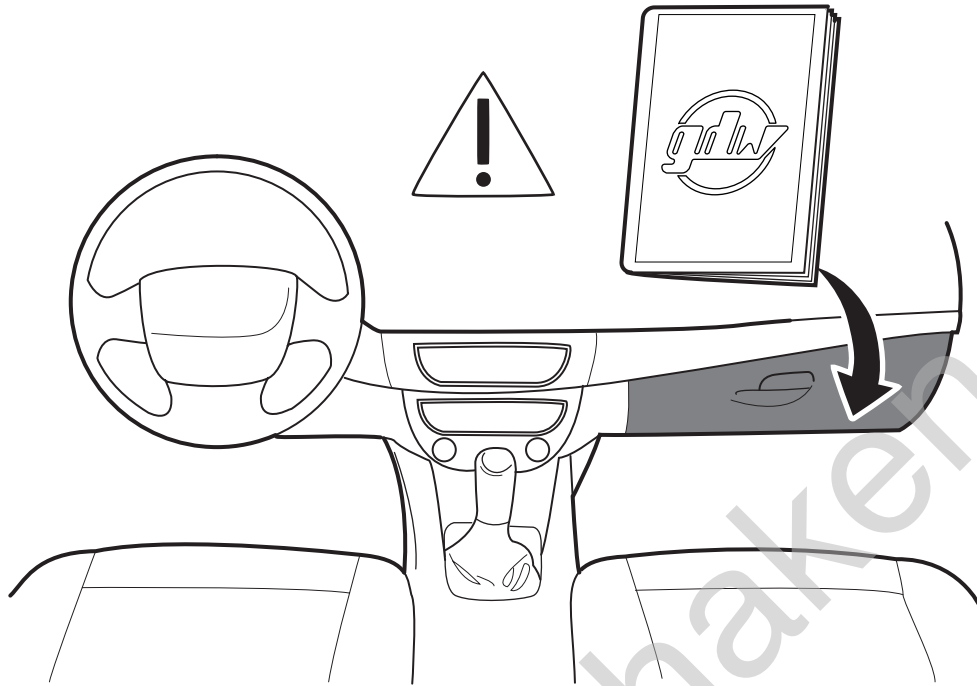
A



1x

T30

A



Olifant trekhakerei