



TREKHAKEN • ATTELAGES • ANHÄNGERVORRICHTUNGEN • TOWBARS • ENHANCES • ANHÆNGERTRÆK

Montagehandleiding | instructions de montage | Einbauanleitung | Mounting instruction
Instrucciones de montaje | monteringsvejledning

Mercedes GLC SUV (X253)

06/'15 - 05/'19

Mercedes GLC Facelift

06/'19 -

- ✓ STANDARD
- ✓ AMG-LINE
- ✓ HANDSFREE TAILGATE*
*SENSOR MUST BE DISABLED VIA PROGRAMMING
- ✓ HYBRID
- ✓ PLUG-IN HYBRID



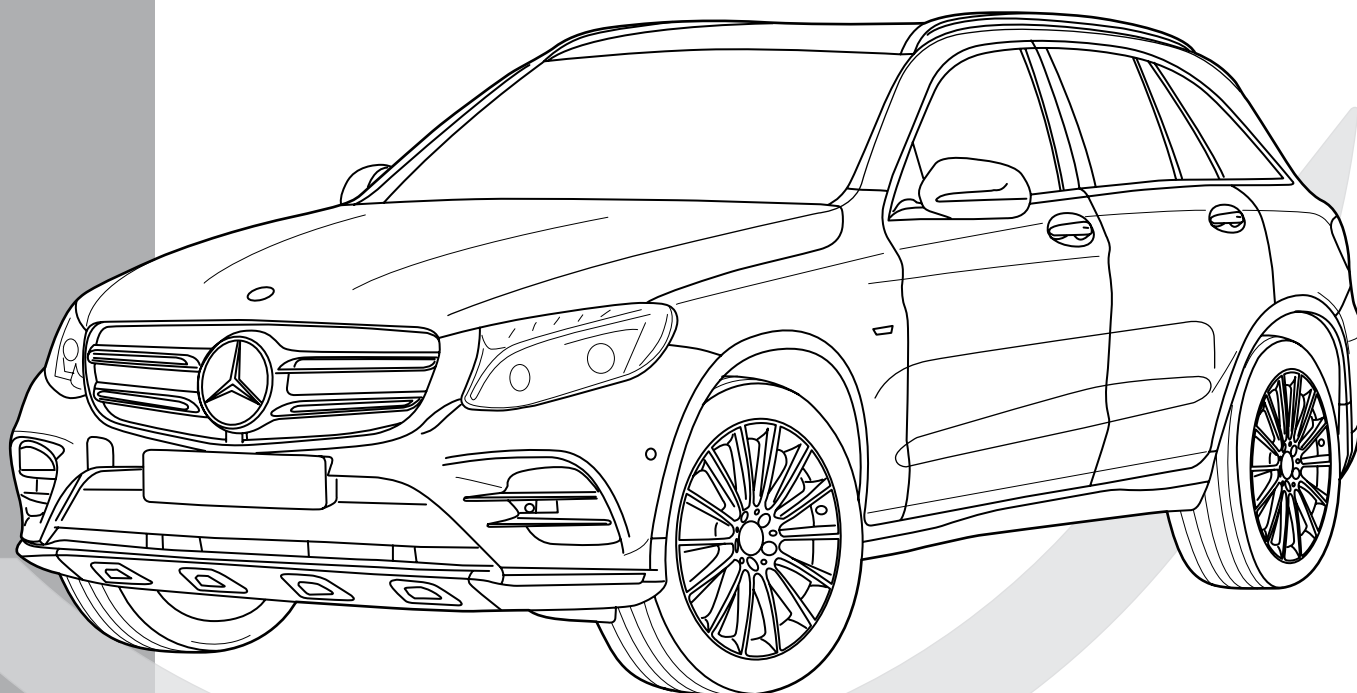
Mercedes GLC Coupé (C253)

06/'16 - 05/'19


Mercedes GLC Coupé Facelift

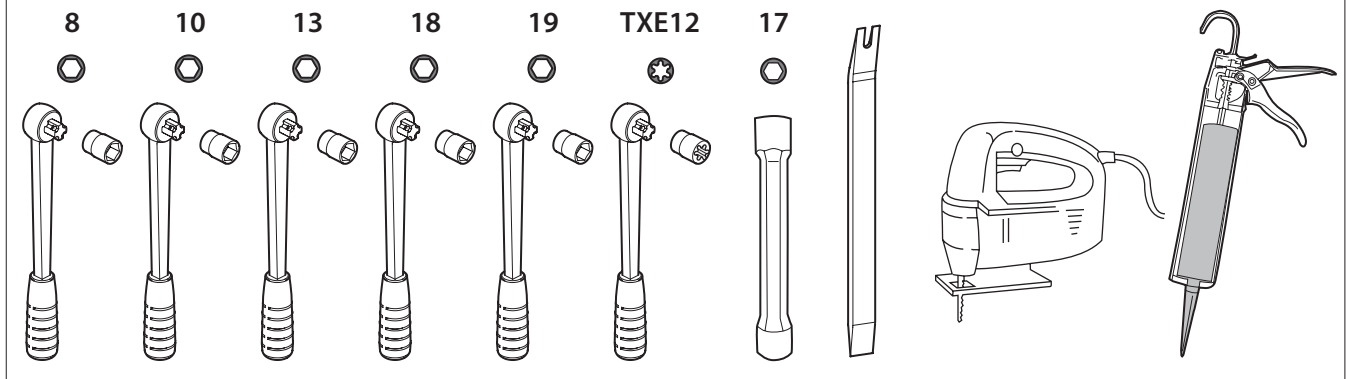
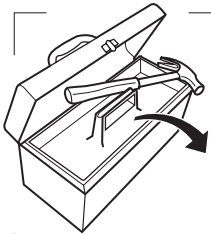
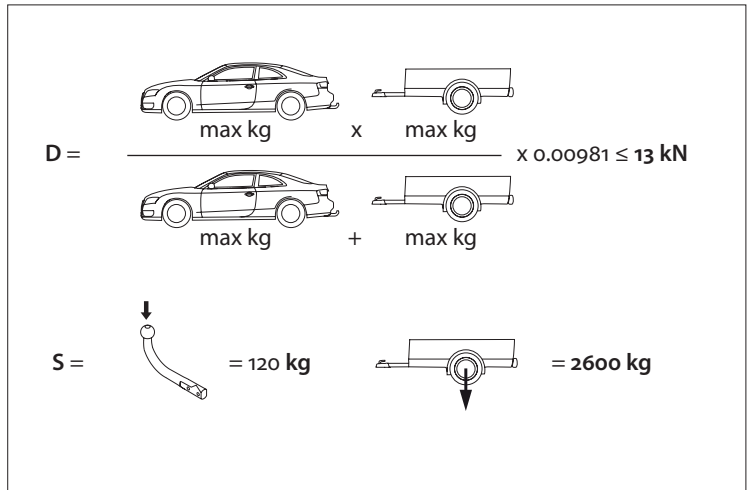
06/'19 -

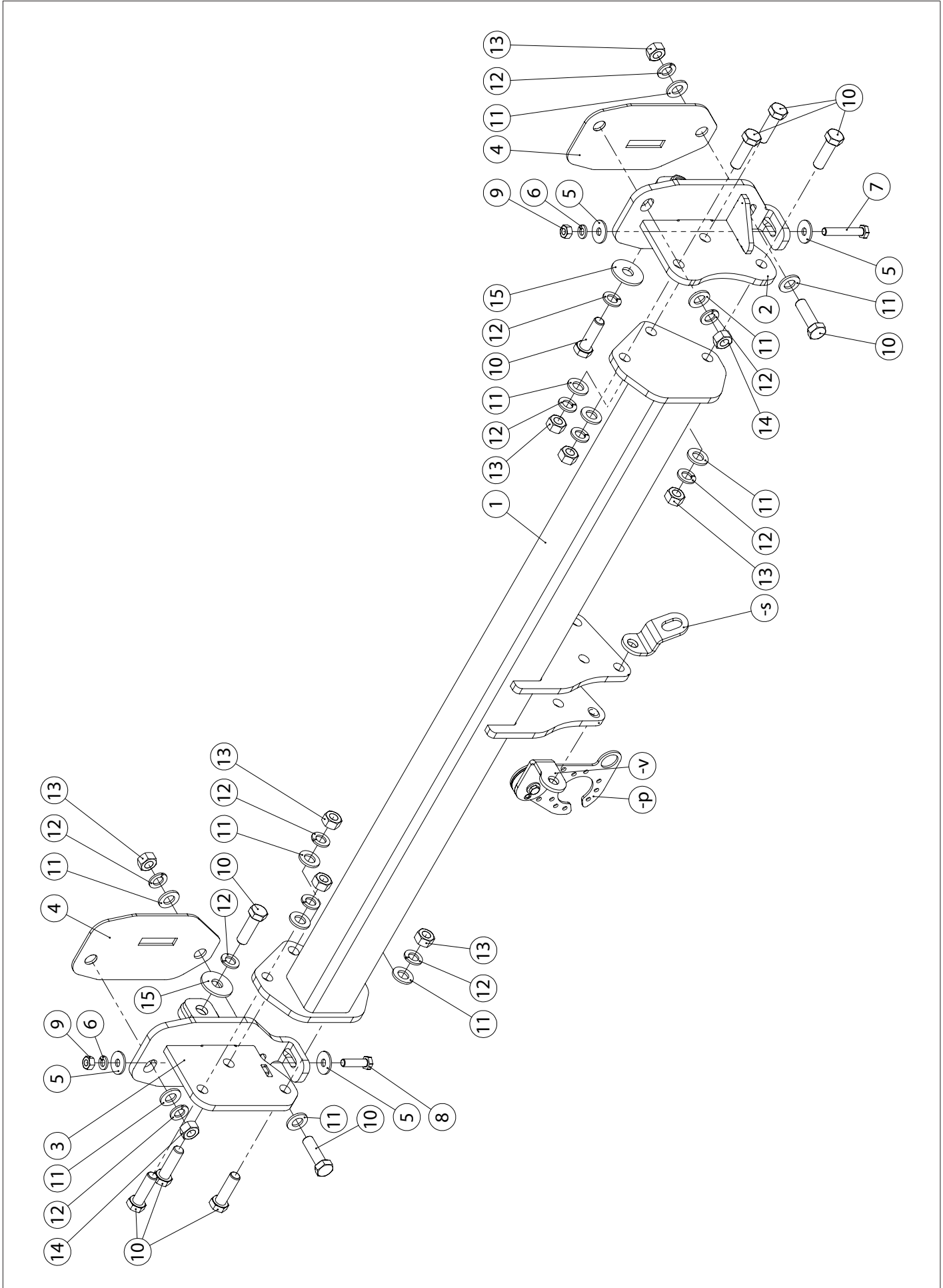
- ✓ STANDARD
- ✓ AMG-LINE
- ✓ HANDSFREE TAILGATE*
*SENSOR MUST BE DISABLED VIA PROGRAMMING
- ✓ HYBRID
- ✓ PLUG-IN HYBRID

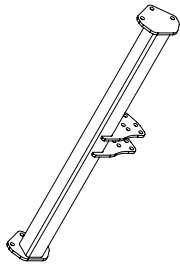
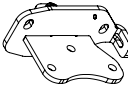
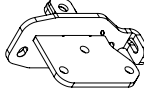










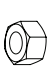
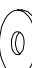
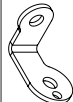


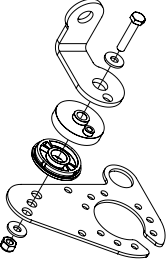



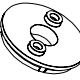
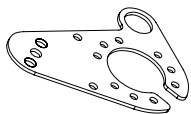

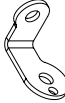
See the Certificate Of Conformity (COC) of your vehicle or contact your dealer to verify the max. trailer weight of your car!

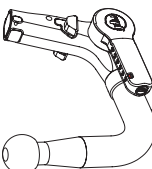
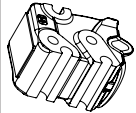
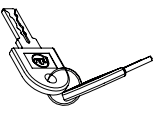

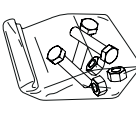
MADE BY	D 13	F	E6
			
BELGIUM	S 120	EC APPROVAL N°	
		55R-011521	
REF N°	SERIE N°		
2182T60			
OMSCHRIJVING			
Mercedes GLC SUV 09/'15-			
Mercedes GLC Coupé 06/'16-			



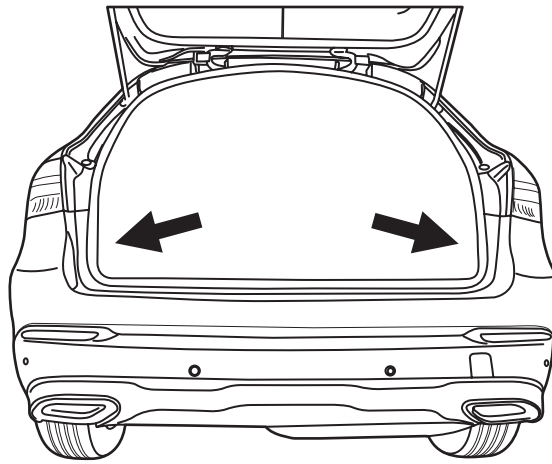


1		X1	GDW REF. 2182T60
2		X1	GDW REF. 2
3		X1	GDW REF. 3
4		X2	GDW REF. 716.00.021
5		X4	DIN9021-M8-ELVZ
6		X2	DIN128A-M8
7		X1	DIN931-M8X50
8		X1	DIN933-M8X30
9		X2	DIN934-M8
10		X10	DIN933-M12X40
11		X12	DIN125-A12-140HV-ELVZ
12		X12	DIN128A-M12
13		X8	DIN934-M12
14		X2	DIN934-M12-1.5
15		X2	DIN9021-M12-ELVZ
-V		X1	GDW REF. 4

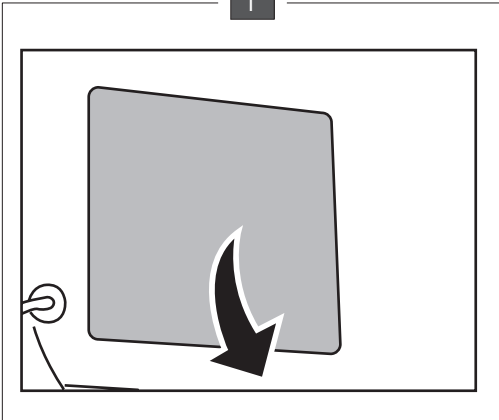
-P		X1	GDW REF. P40
L		X1	DIN985-M6
L		X2	6,2 X 15,4 X 1,6 (NYLON)
L		X1	GDW REF. 718.16.002
L		X1	GDW REF. 718.16.003
L		X1	GDW REF. 908.094
L		X1	DIN933-M6 X 30
L		X1	GDW REF. 908.096

Geleverd met - Livré avec - Delivered with Geliefert mit - Elementos adjuntos-Leveres med		X1	GDW REF. 960.V1208
	L	X1	GDW REF. 740.200
		X1	GDW REF. 912.003
	L	X1	GDW REF. 740.112
	L	X1	GDW REF. 740.111
		X1	GDW REF. 740.114
		X1	GDW REF. 718.15.001
		X1	GDW REF. SYST60-10
	L	X3	DIN931-M12X110-8.8
	L	X3	DIN128A-M12
	L	X6	DIN125A-M12
	L	X3	DIN934-M12

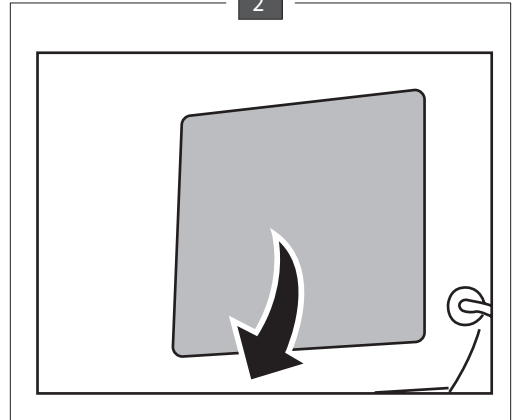
1



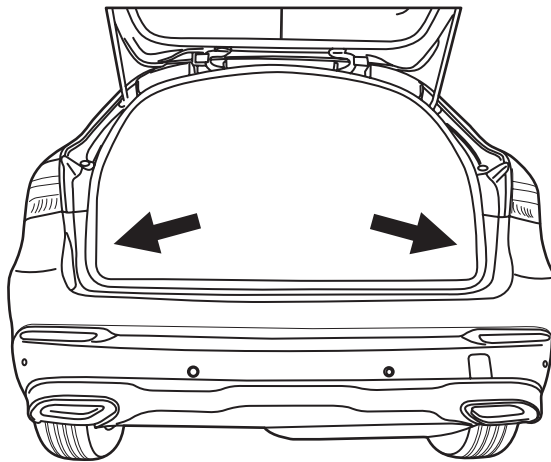
1



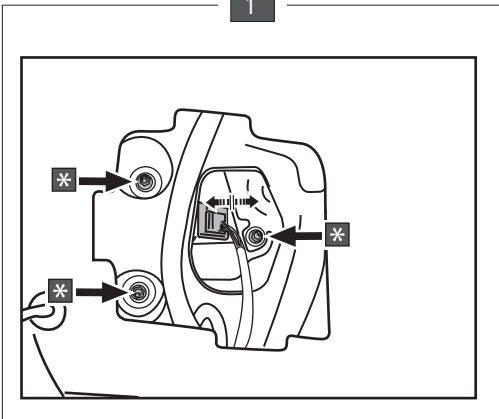
2



2

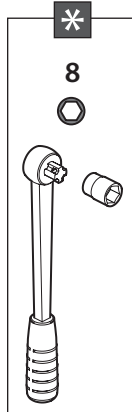


1

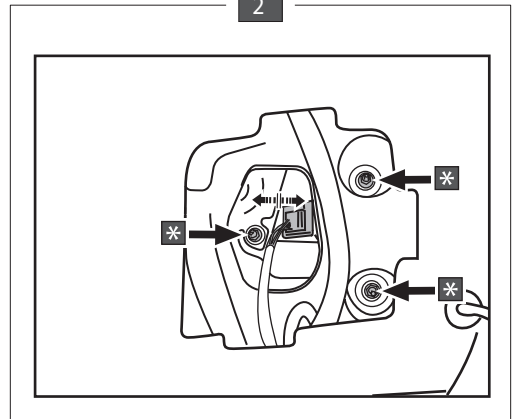


*

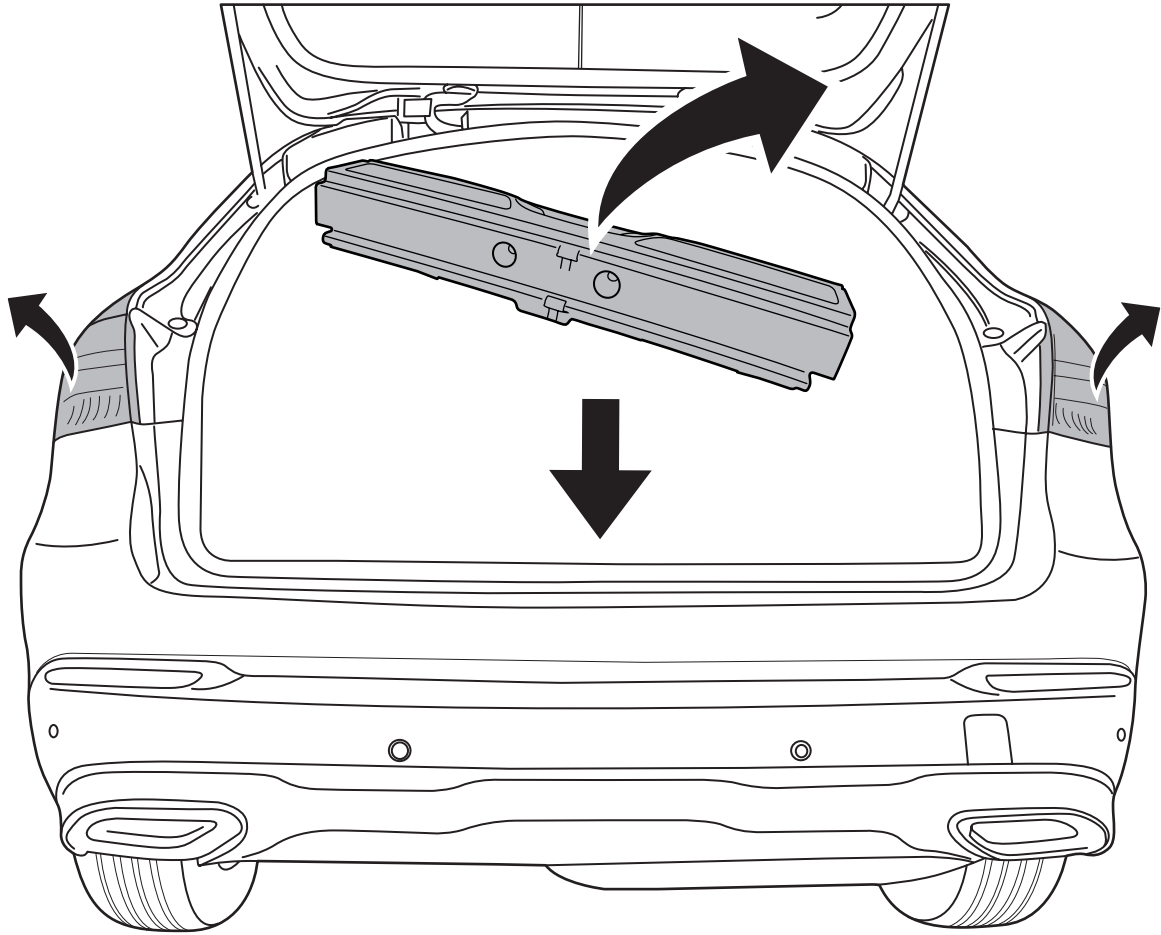
8



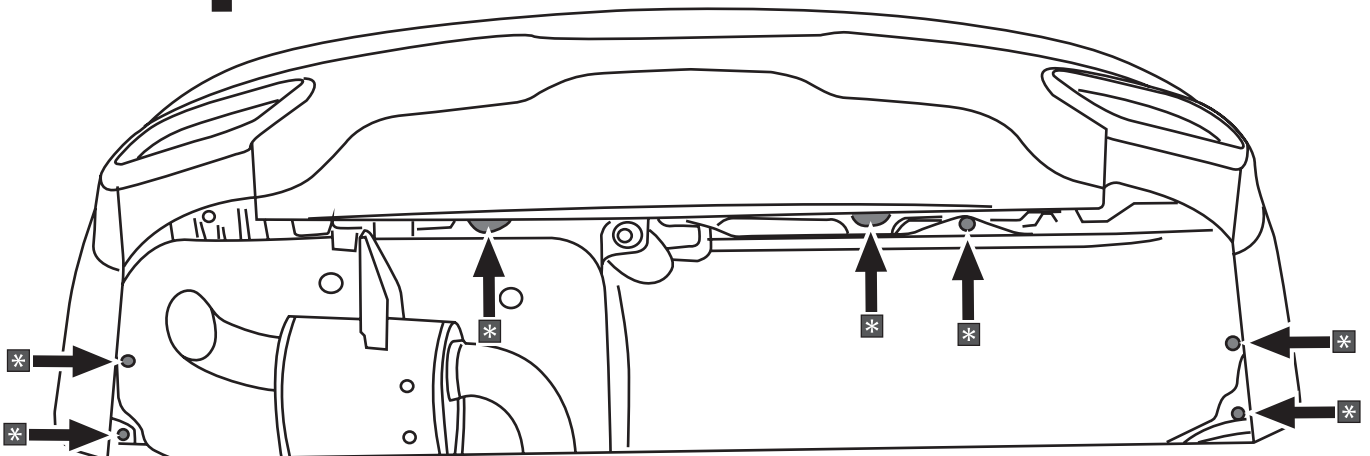
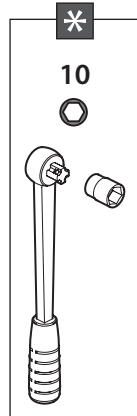
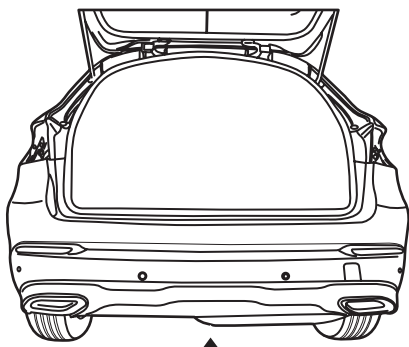
2



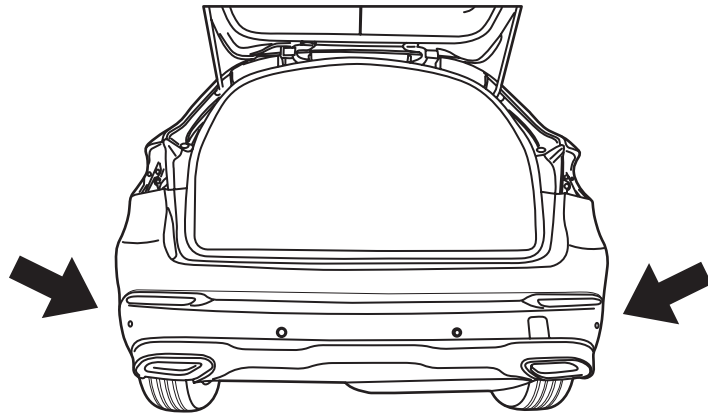
3



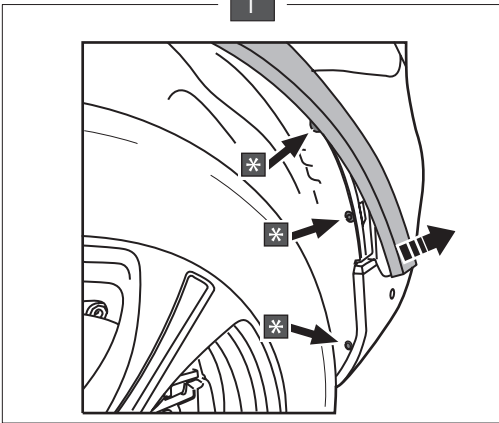
4



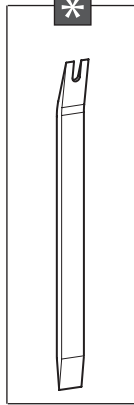
5



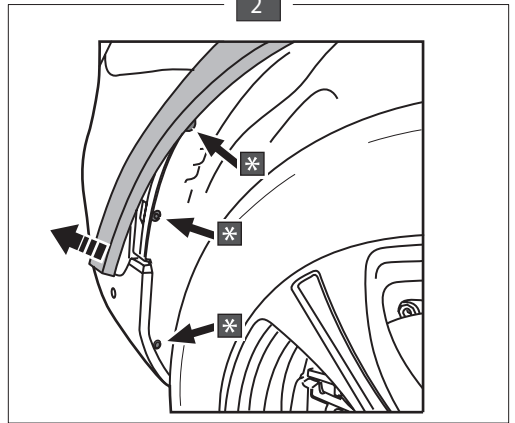
1



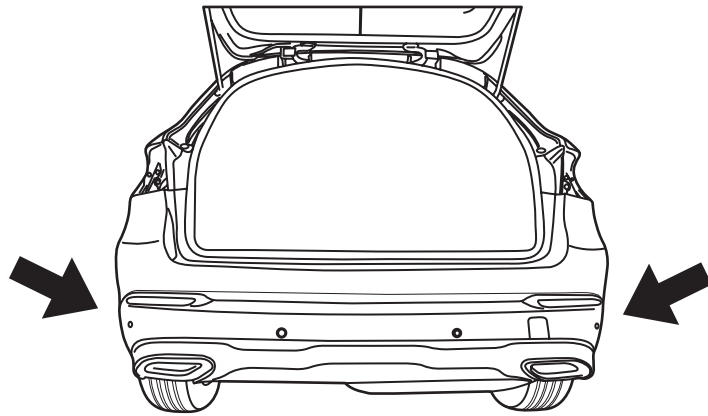
*



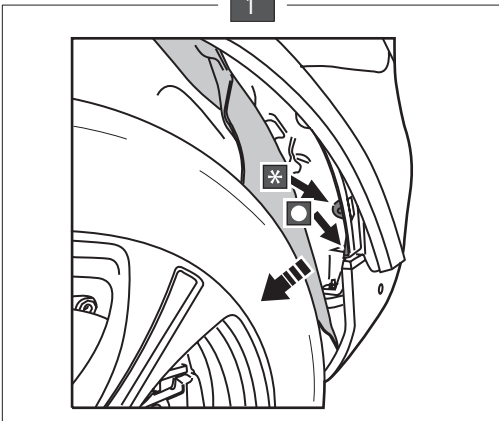
2



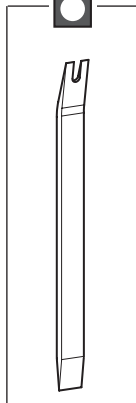
6



1

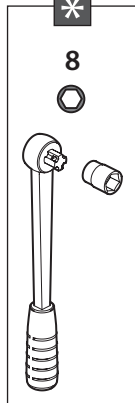


●

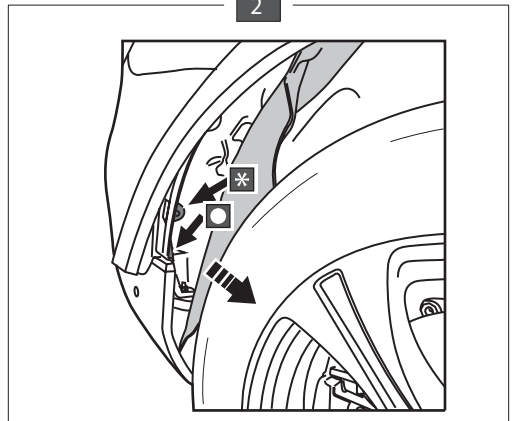


*

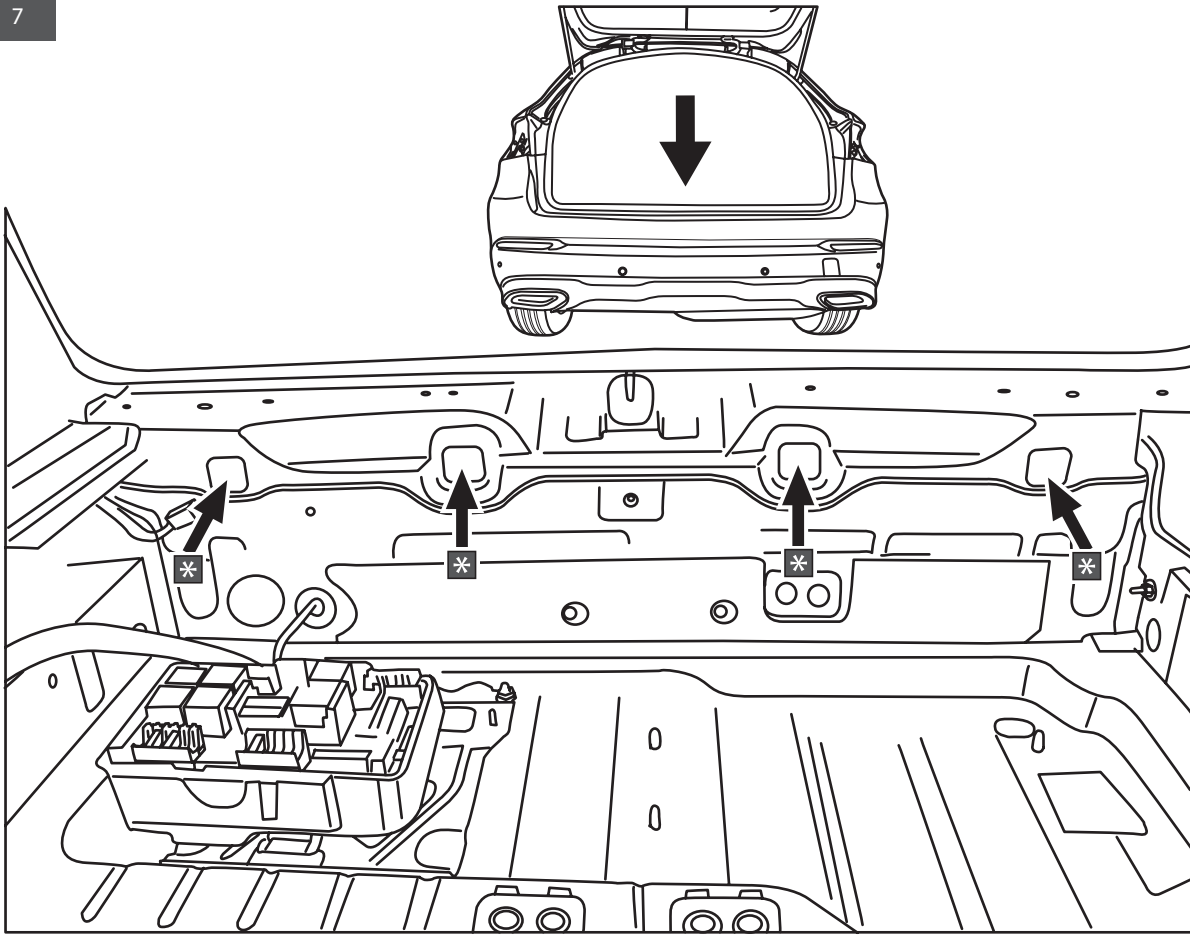
8



2

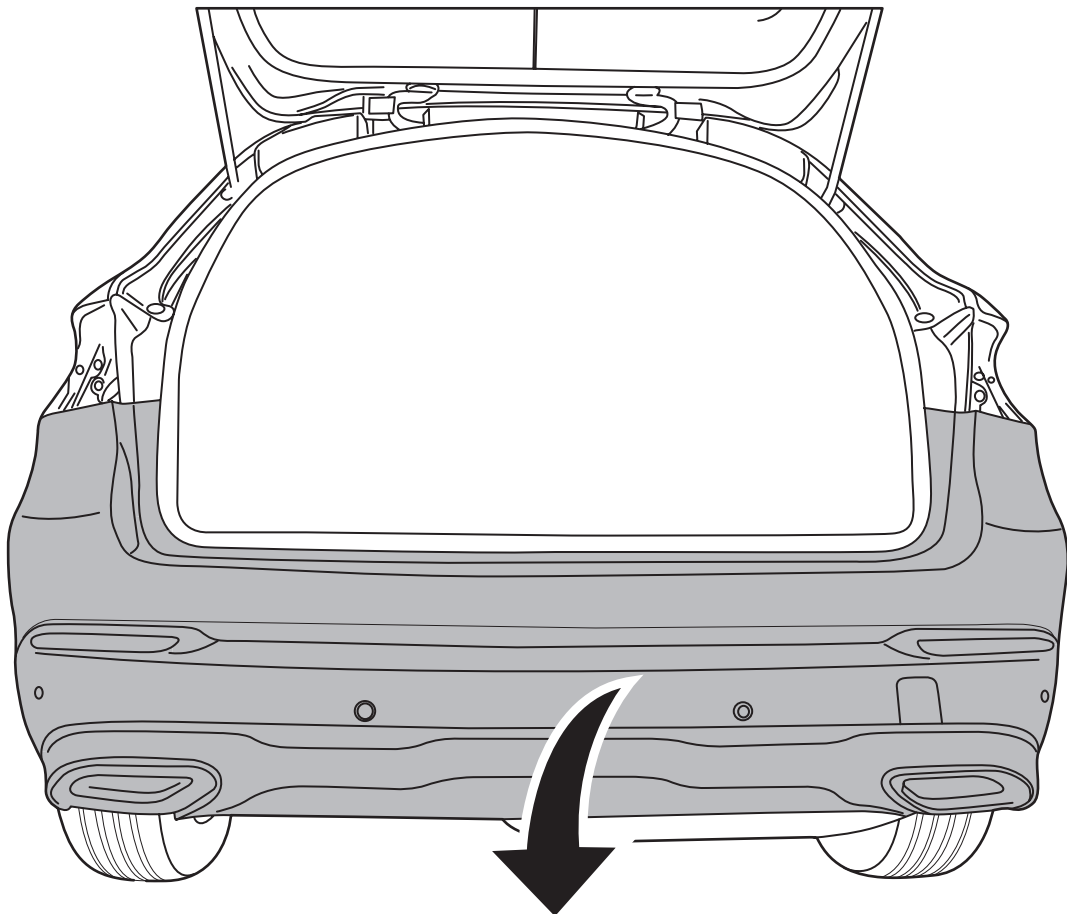


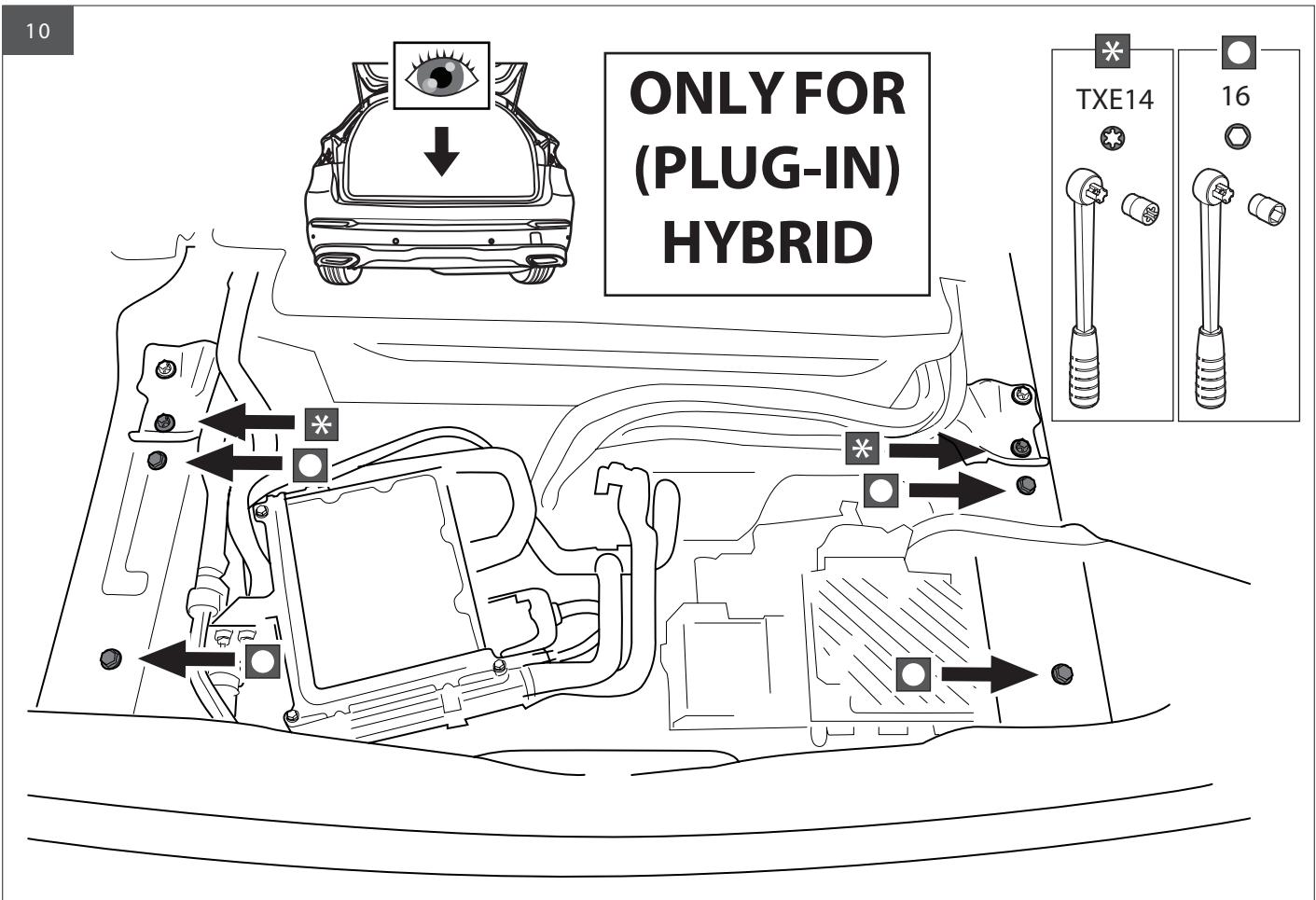
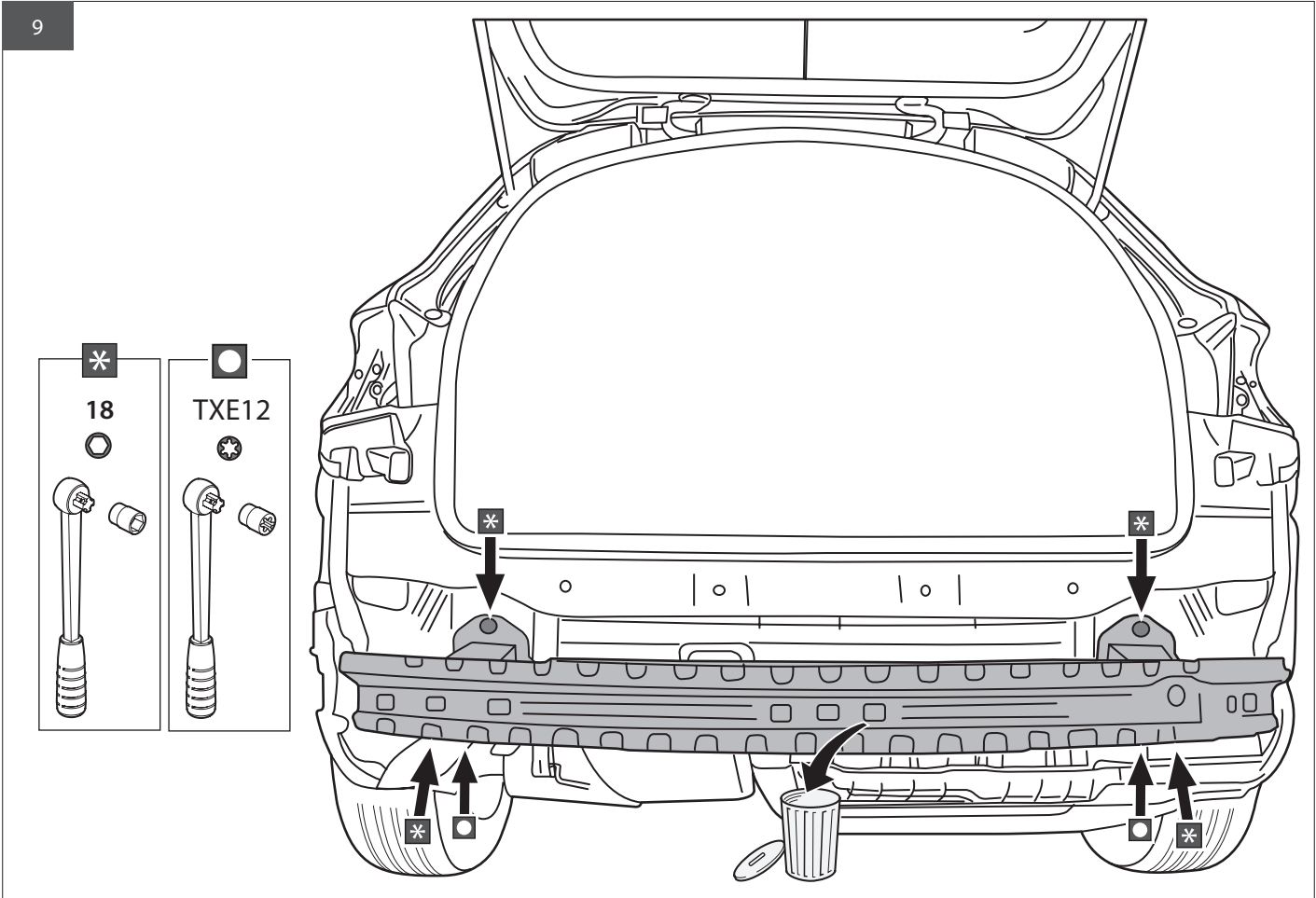
7

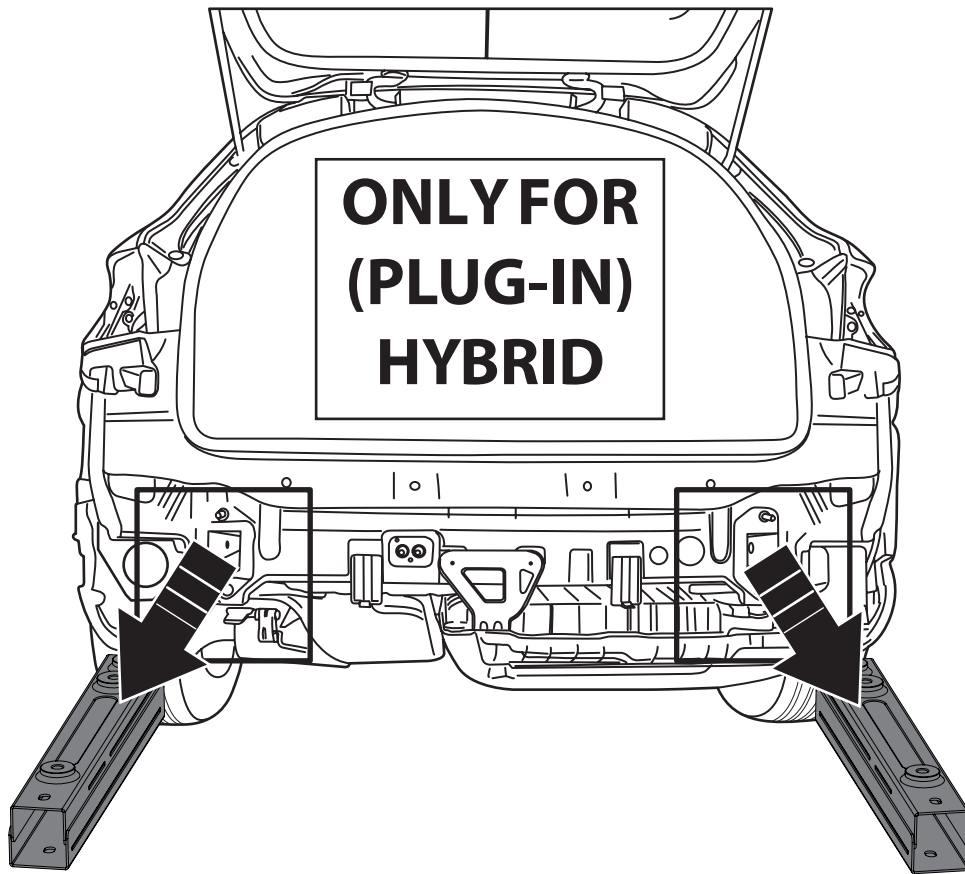


- * (Asterisk symbol)
- 10 (Number 10)
- (Bolt head symbol)
- ⌋ (Bolt shaft symbol)

8

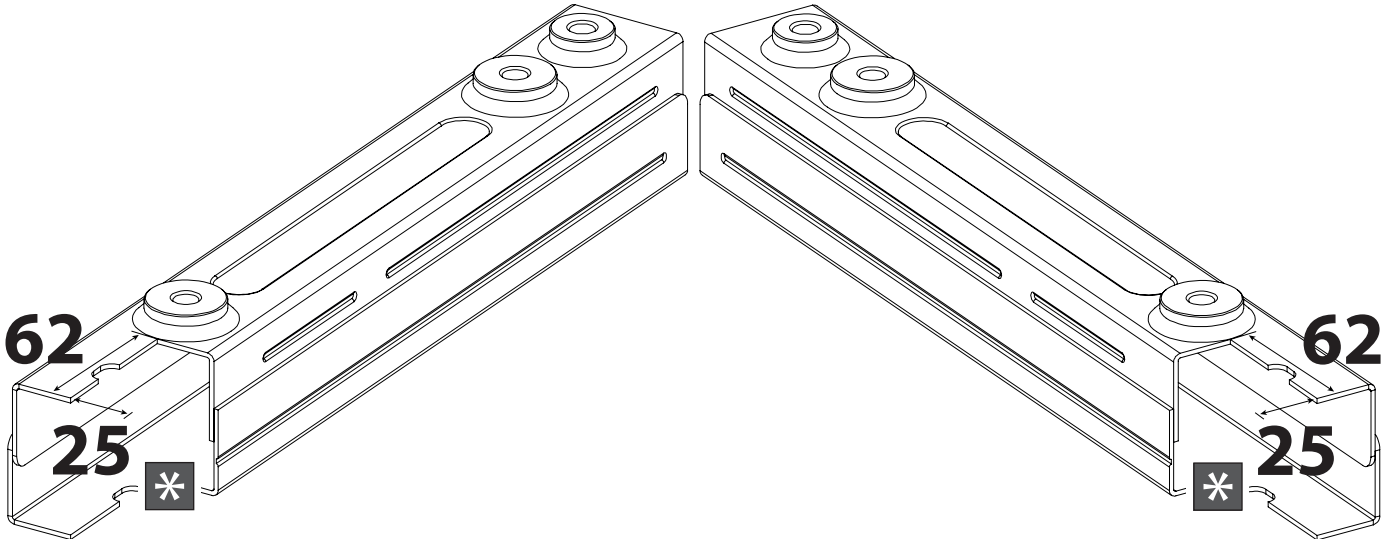
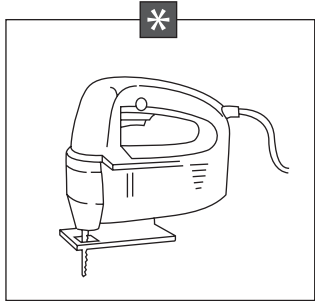






**ONLY FOR
(PLUG-IN)
HYBRID**

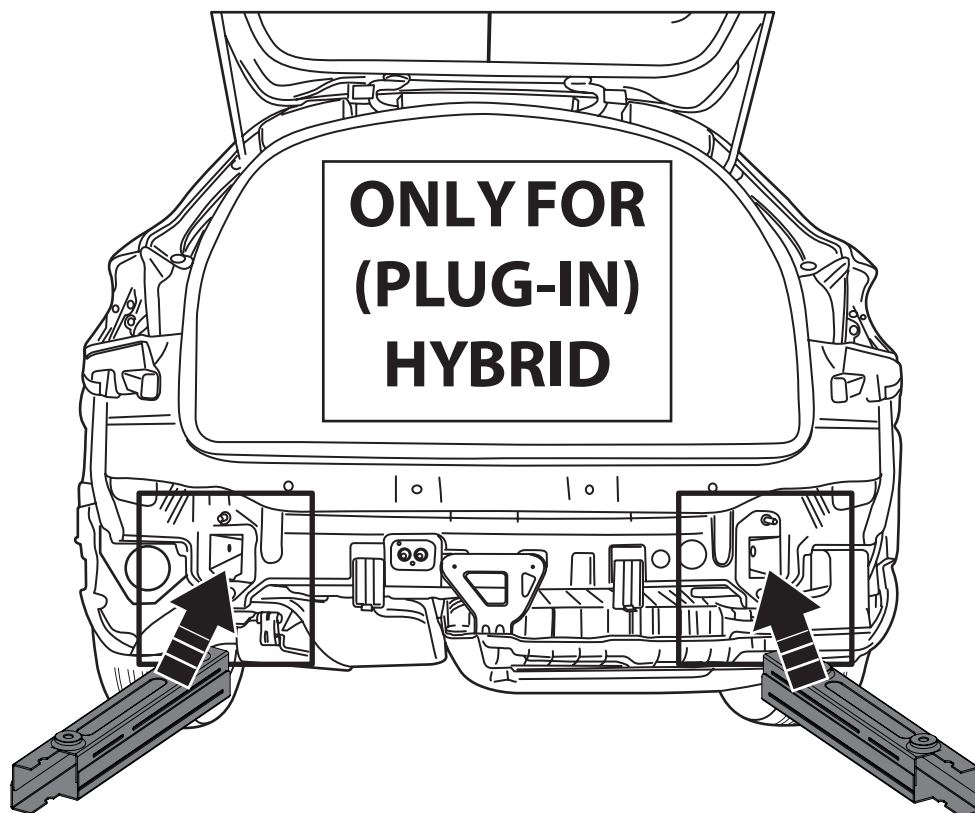
OPTION 1

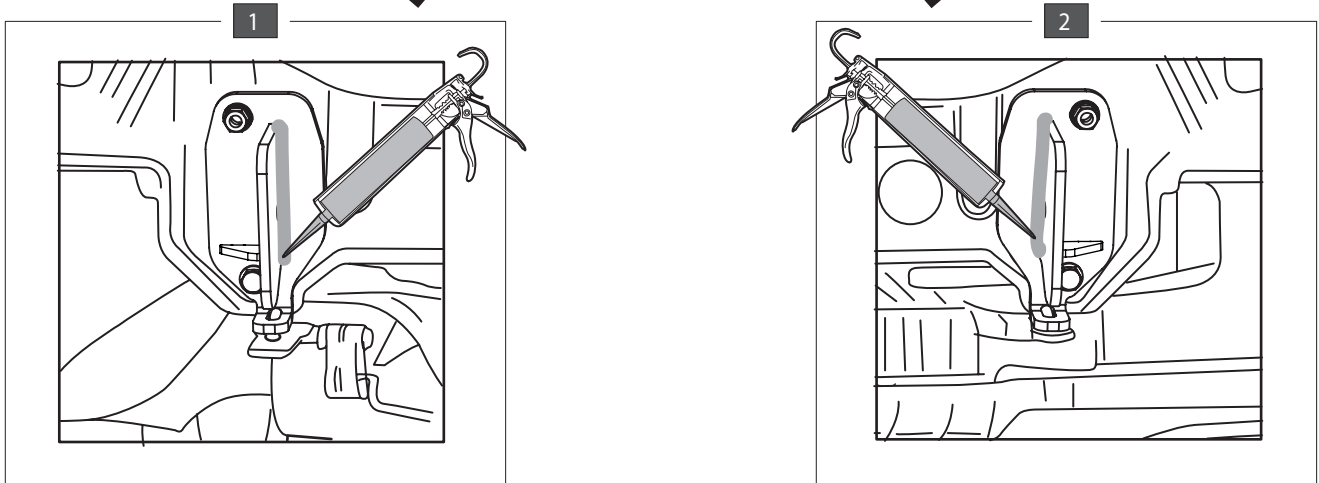
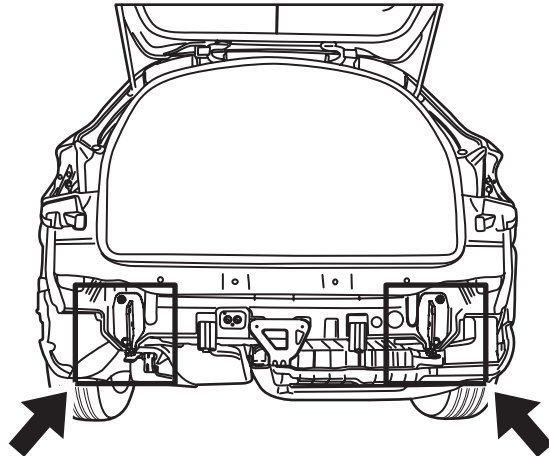
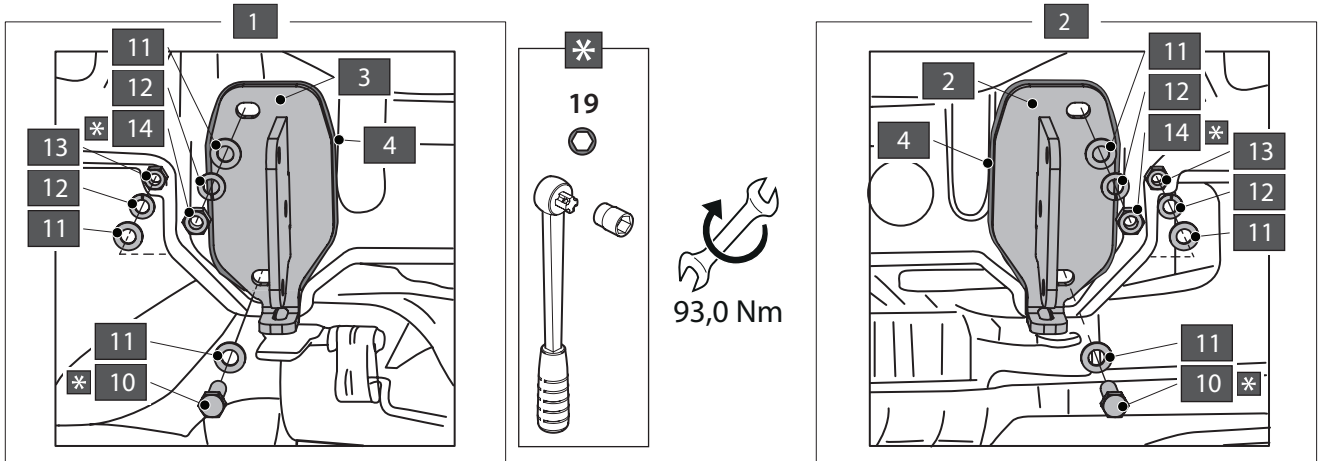
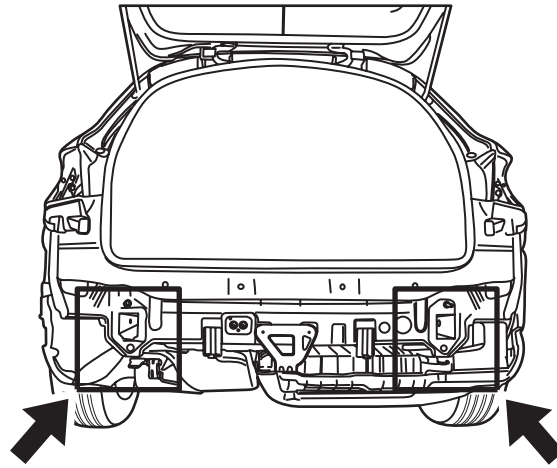


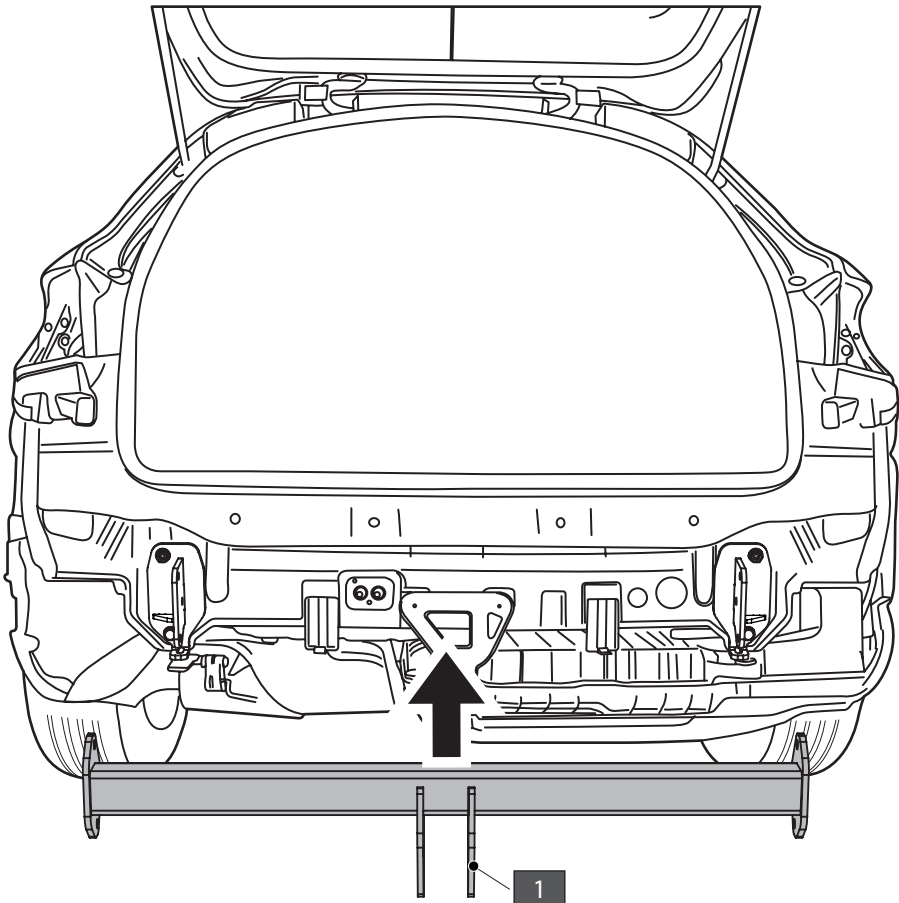
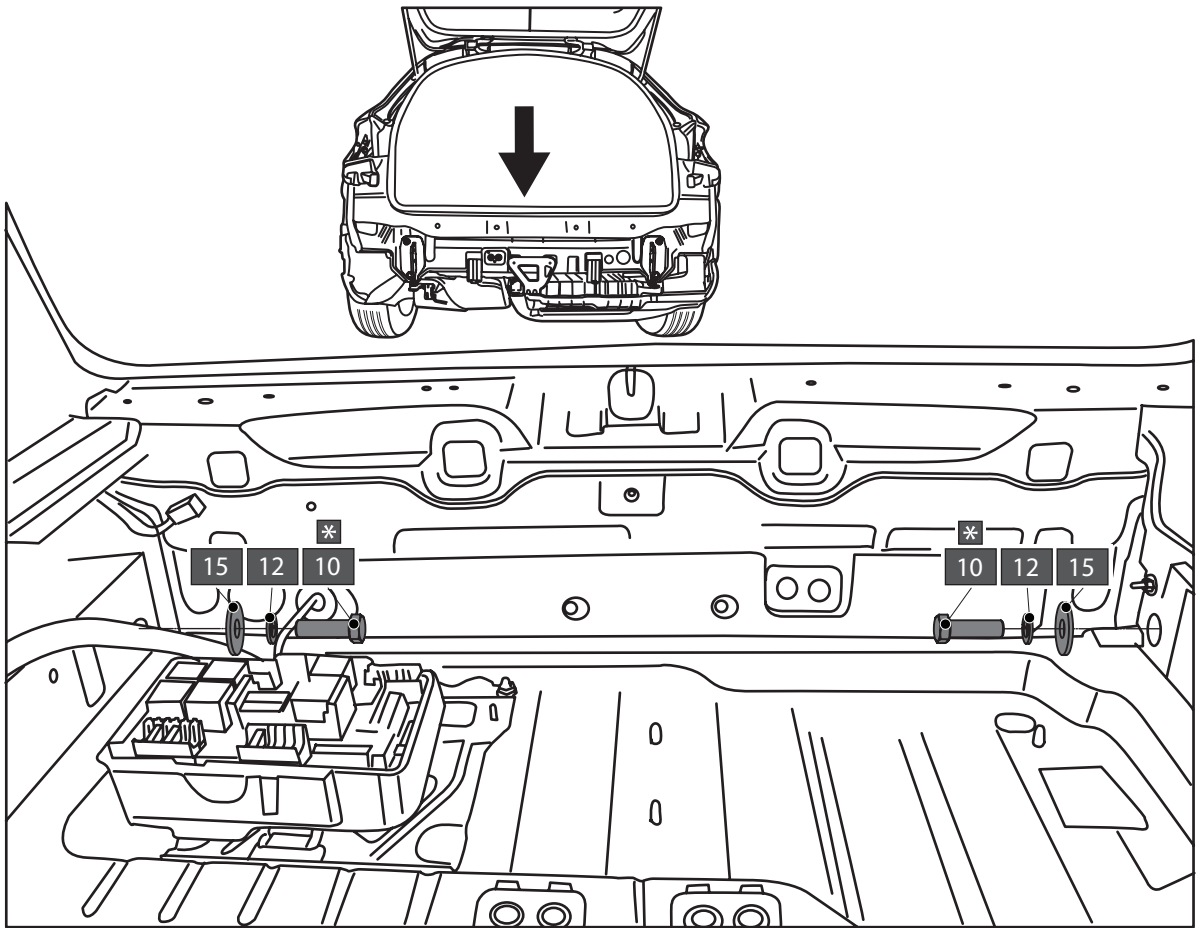
**ONLY FOR
(PLUG-IN)
HYBRID**

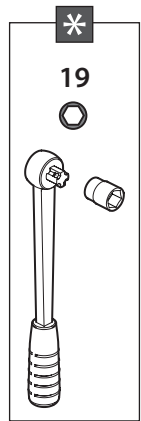
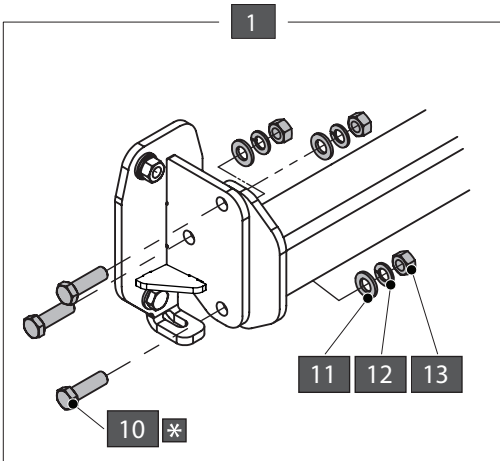
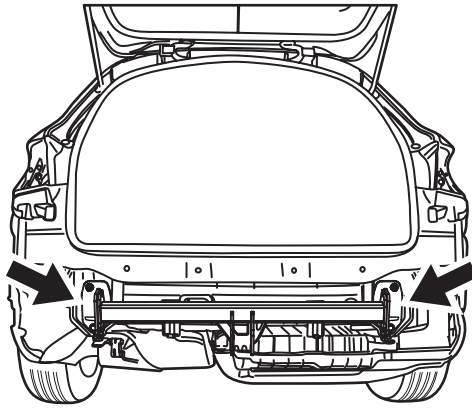
OPTION 2

ORDER ADAPTED PARTS
FROM MERCEDES DEALER
LEFT PART: **A 253 610 6700**
RIGHT PART: **A 253 610 6800**

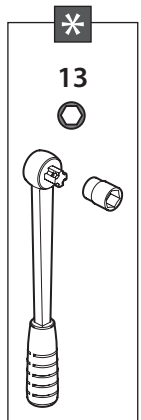
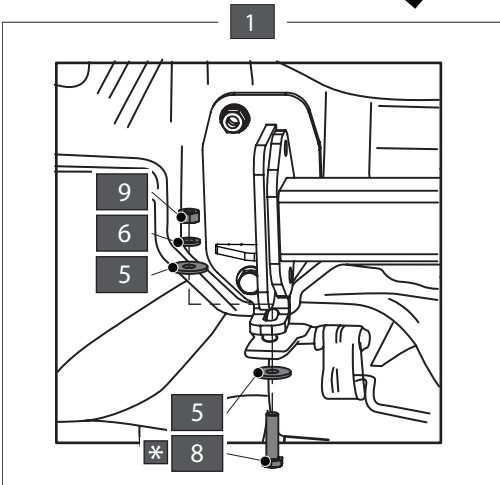
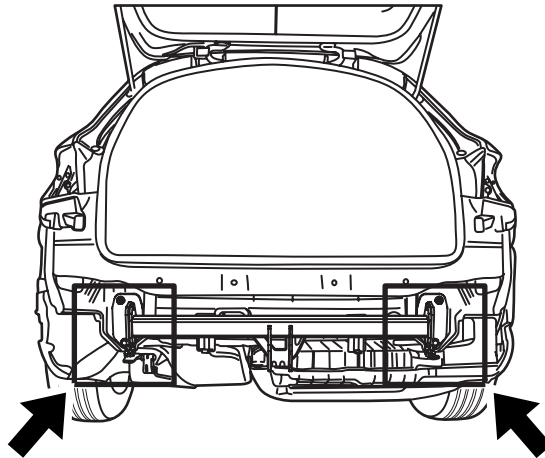
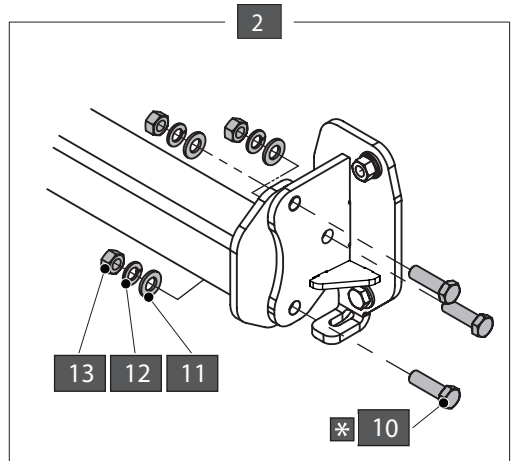




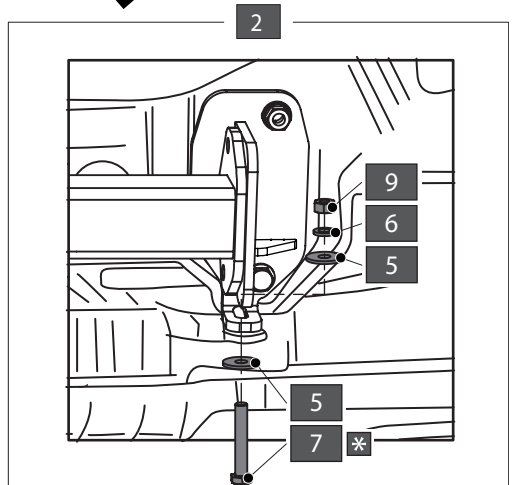


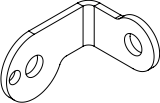




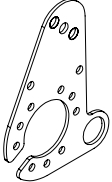
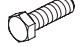


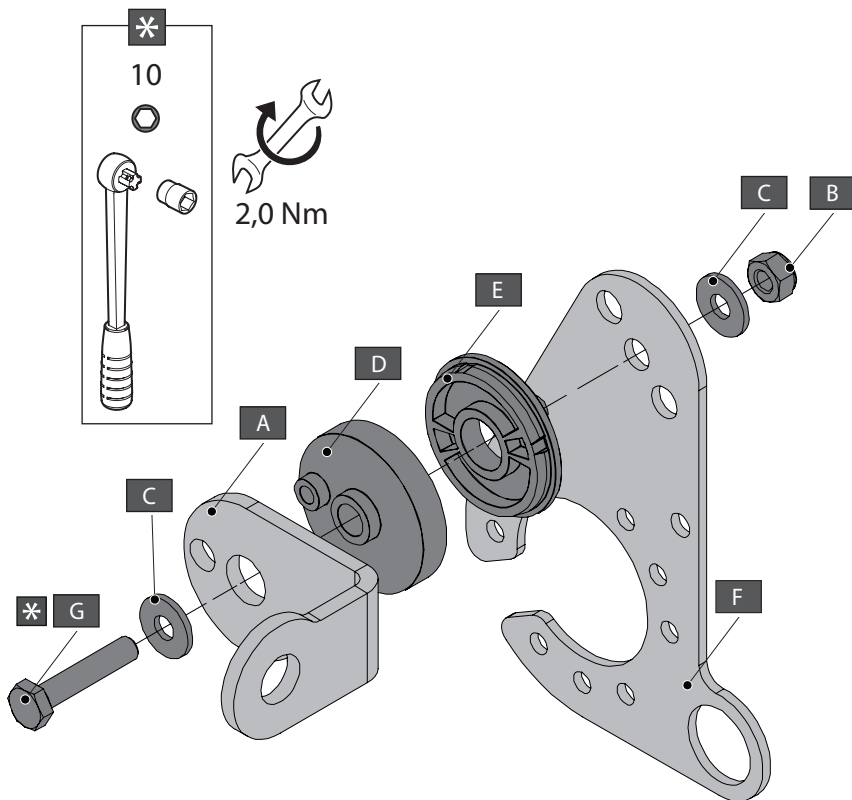
93,0 Nm

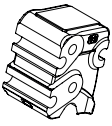






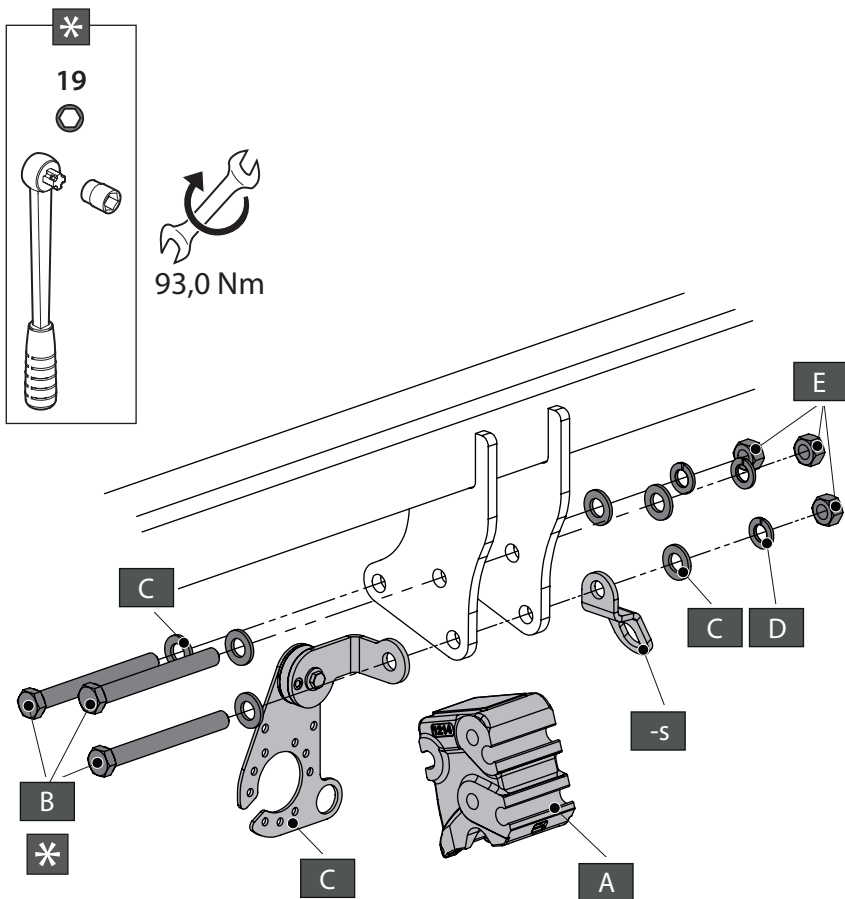
27,3 Nm



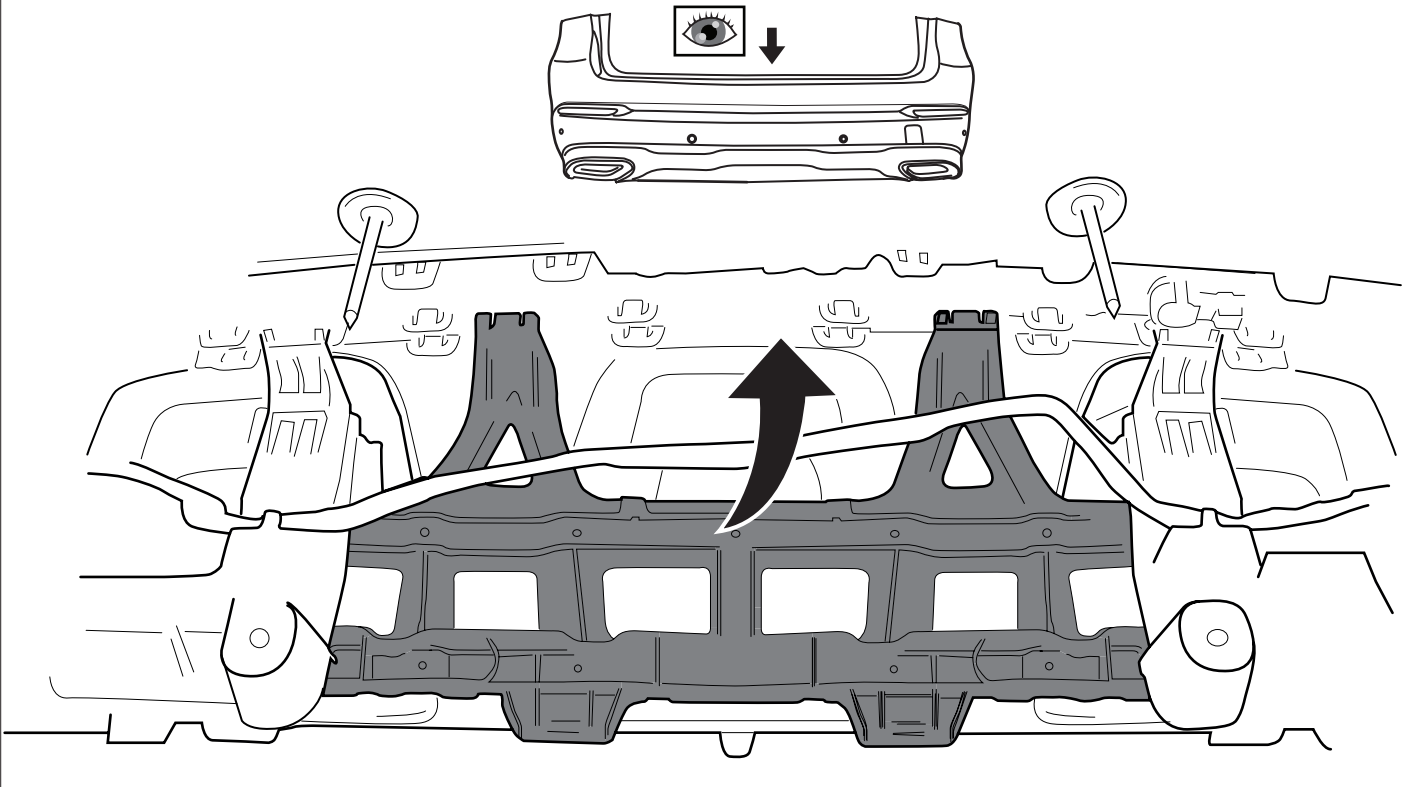
A		X1	GDW REF. 908.096
B		X1	DIN985-M6
C		X2	6,2 X 15,4 X 1,6 (NYLON)
D		X1	GDW REF. 718.16.002
E		X1	GDW REF. 718.16.003
F		X1	GDW REF. 908.094
G		X1	DIN933-M6 X 30



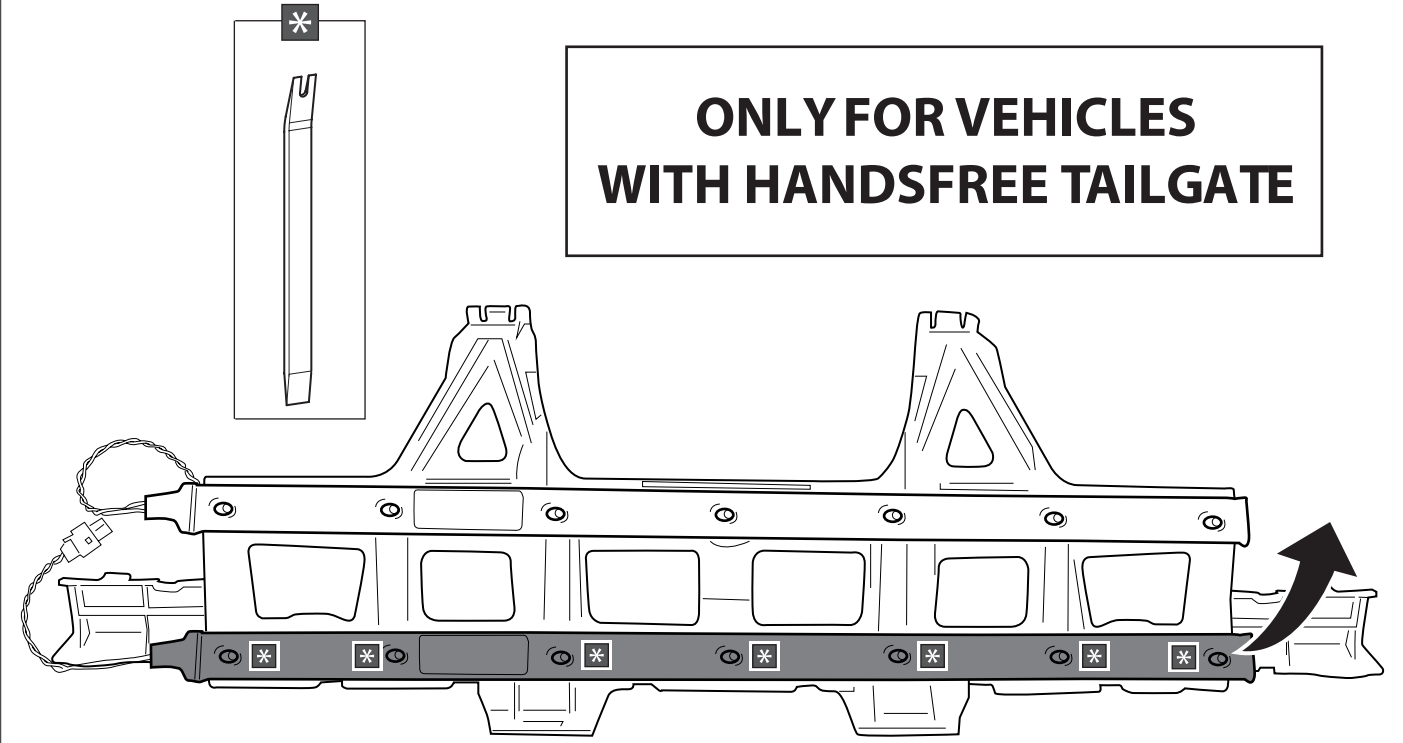
A		X1	912.003
B		X3	DIN931-M12X110
C		X6	DIN125A-M12
D		X3	DIN128A-M12
E		X3	DIN934-M12



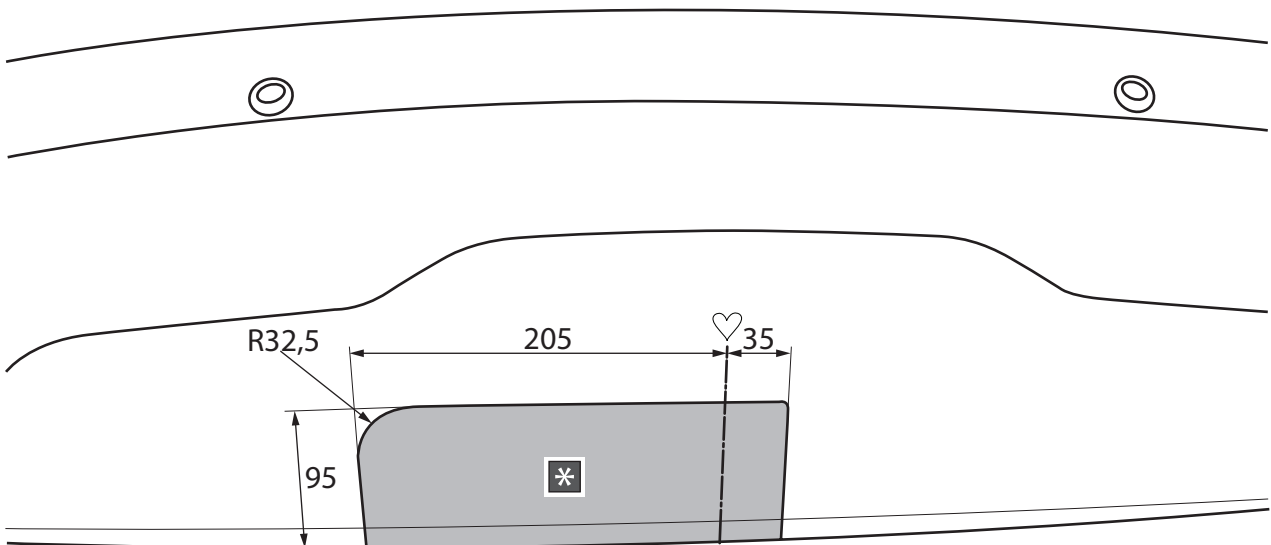
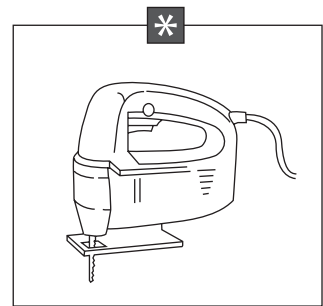
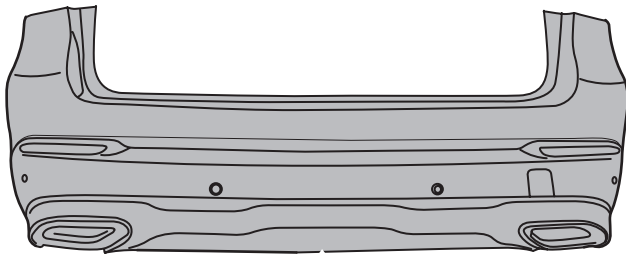
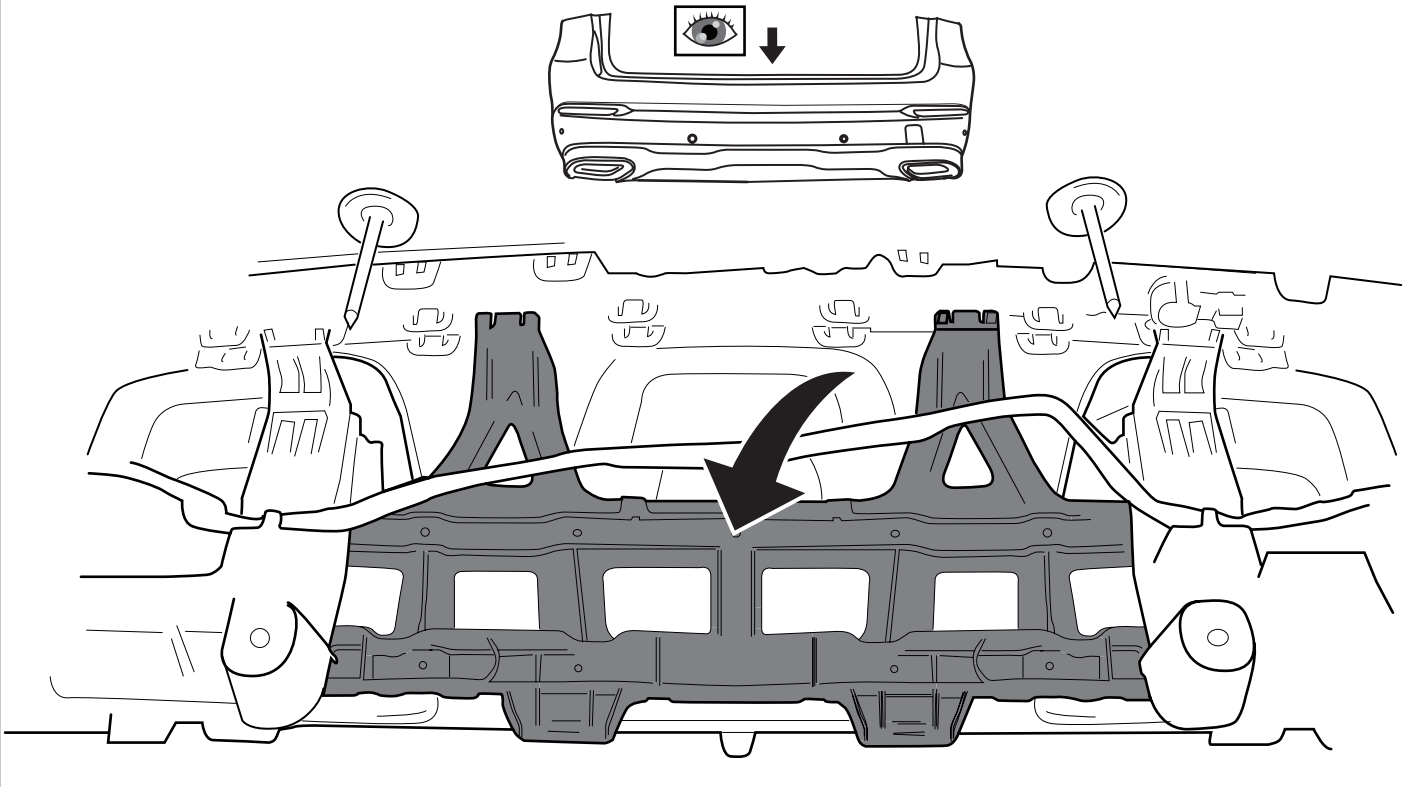
ONLY FOR VEHICLES WITH HANDSFREE TAILGATE



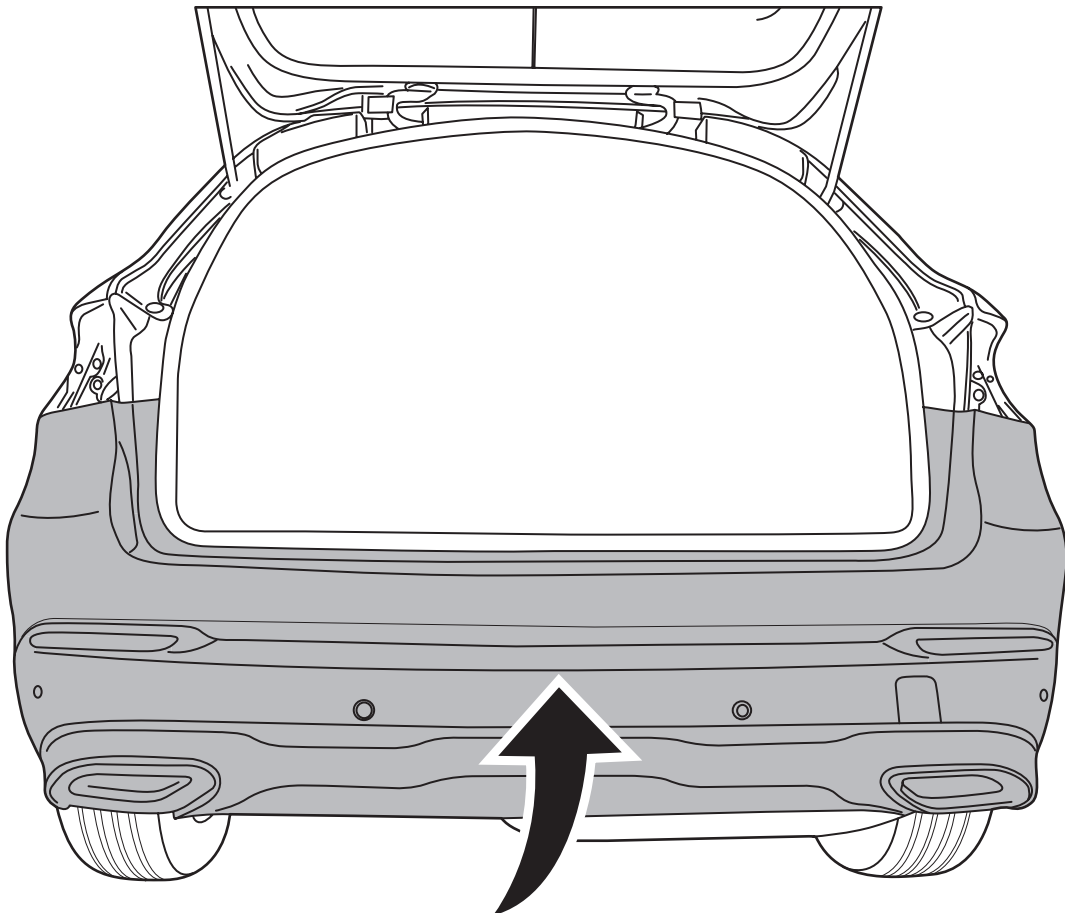
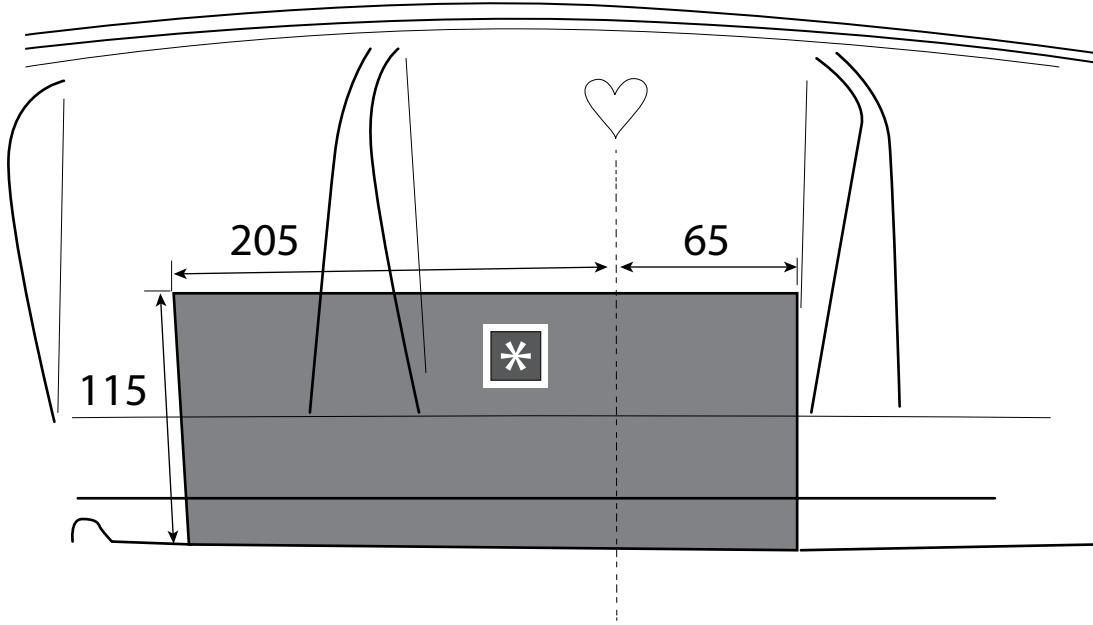
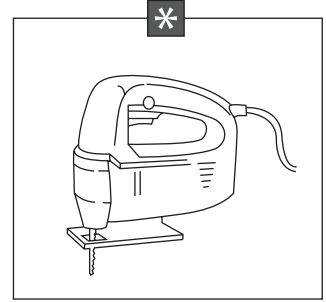
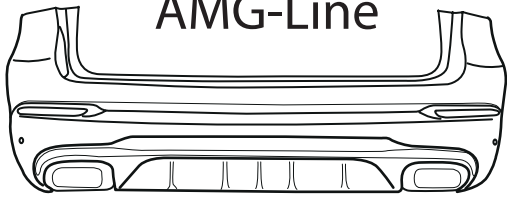
ONLY FOR VEHICLES WITH HANDSFREE TAILGATE

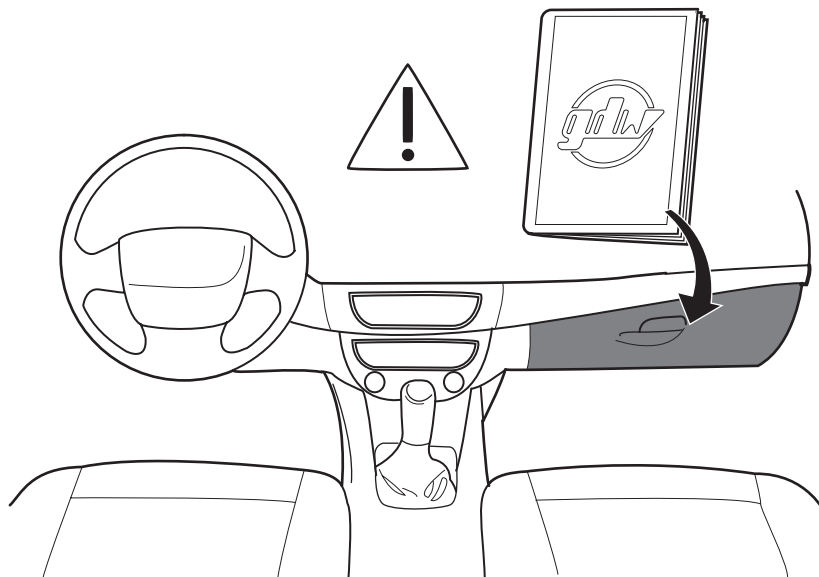
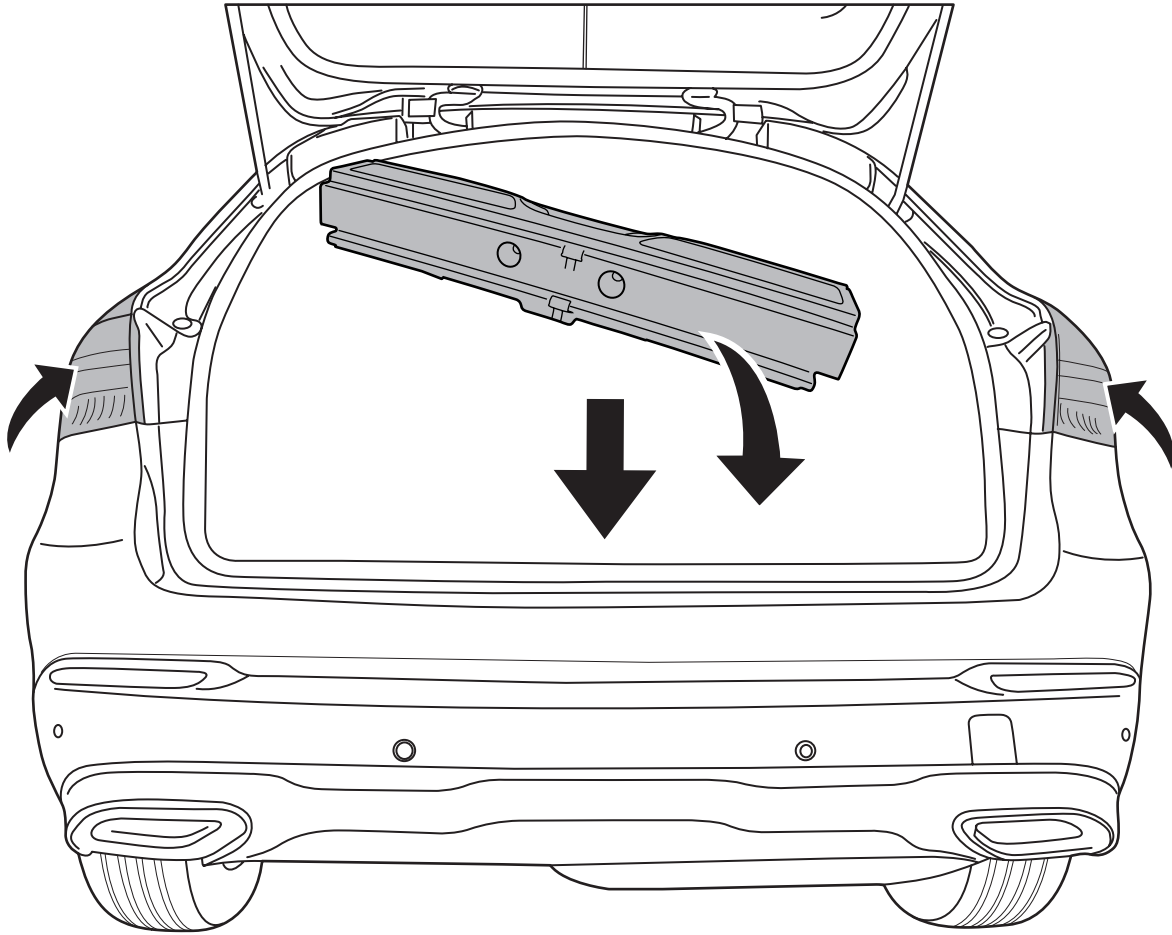


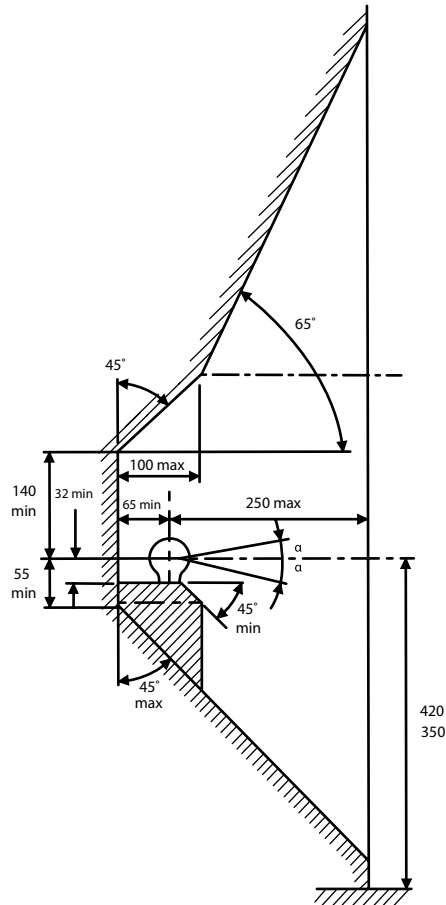
ONLY FOR VEHICLES WITH HANDSFREE TAILGATE



AMG-Line





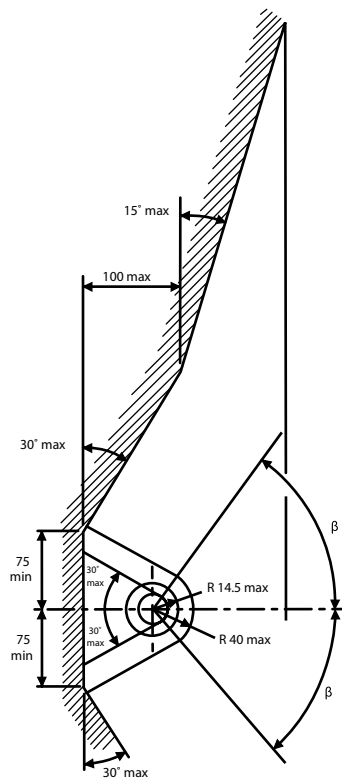


De tussenuimte conform bijlage VII, afbeelding 25 (a, b) van het reglement R55 UN/ECE moet in acht genomen worden. Deze voorschriften zijn niet van toepassing op terreinvoertuigen klasse G.

La zone de dégagement doit être garantie conformément à l'annexe VII, illustration 25 (a, b) de la règle R55 UN/ECE. Ces dispositions ne s'appliquent pas aux véhicules tout-terrain classe G.

The clearance specified in appendix VII, diagram 25 (a, b) of regulation R55 UN/ECE must be guaranteed. These requirements shall not apply to all-terrain vehicles class G.

Der Freiraum nach Anhang VII, Abbildung 25 (a, b) der Regulierung R55 UN/ECE ist zu gewährleisten. Diese Vorschriften gelten nicht für Geländefahrzeuge Klasse G.



Bij toelaatbaar totaal gewicht van het voertuig

Pour poids total en charge autorisé du véhicule

At laden weight of the vehicle

Bei zulässigem Gesamtgewicht des Fahrzeuges

Peso total admisible del vehículo

Ved tilladt samlet vægt for køretøjet