

AUTO-HAK Sp. z o.o.

ul. Słoneczna 16K 76-200 SŁUPSK
POLAND

tel/fax +48 59 8 414 414; +48 59 8 414 413

e-mail: office@autohak.com.pl

www.autohak.com.pl



AUTO-HAK

MITSUBISHI PAJERO, 3D, V60

Nr kat.

Z45A



05.2000 → 02.2007



E20-55R-01 4805



15,41 kN



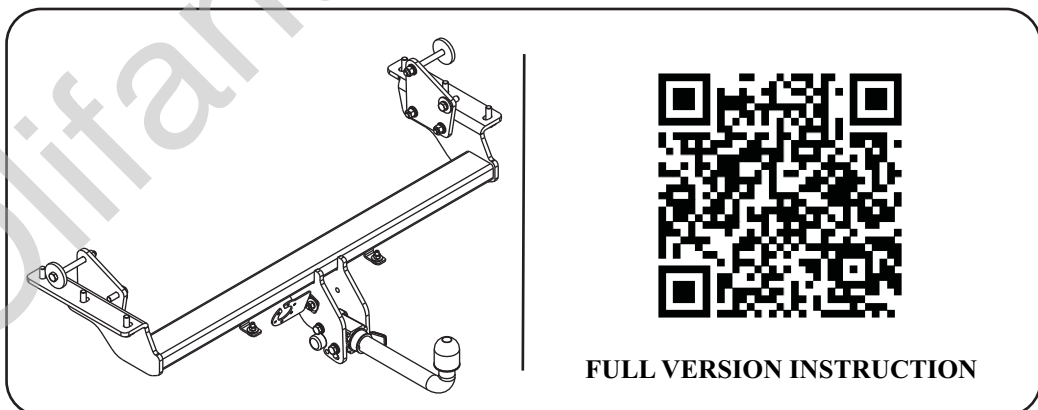
R=3000 kg



S=135 kg



2h



FULL VERSION INSTRUCTION



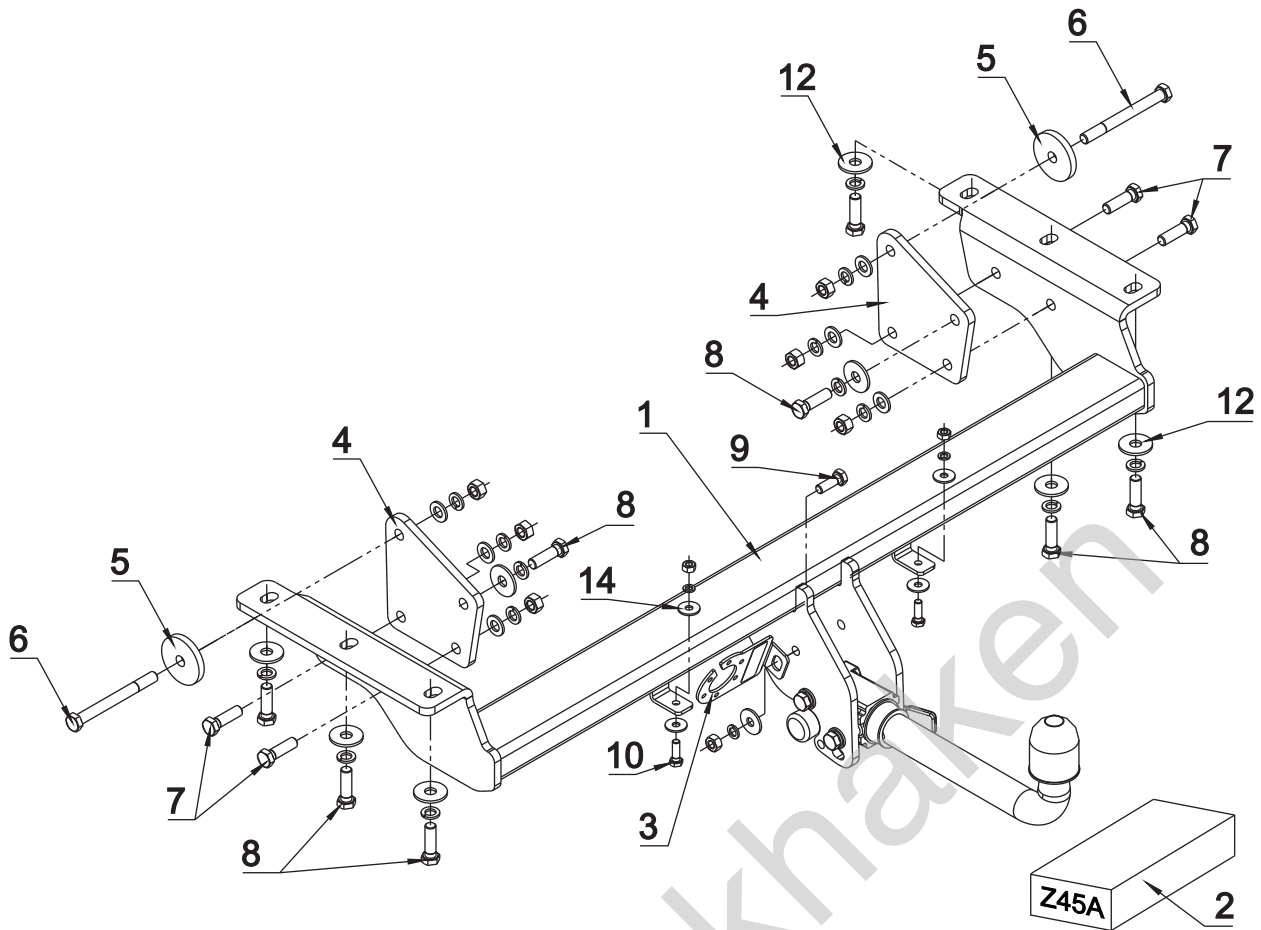
śruba	Nm	M6	M8	M10	M12	M14	M16
klasa 8.8		9,9	24	48	83	132	200
klasa 10.9		14	34	67	117	185	285

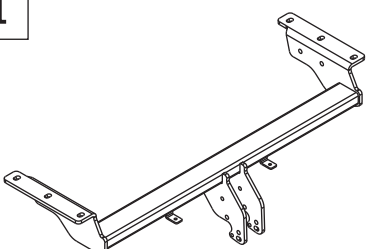
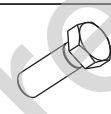
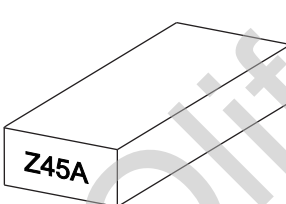

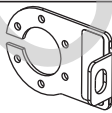







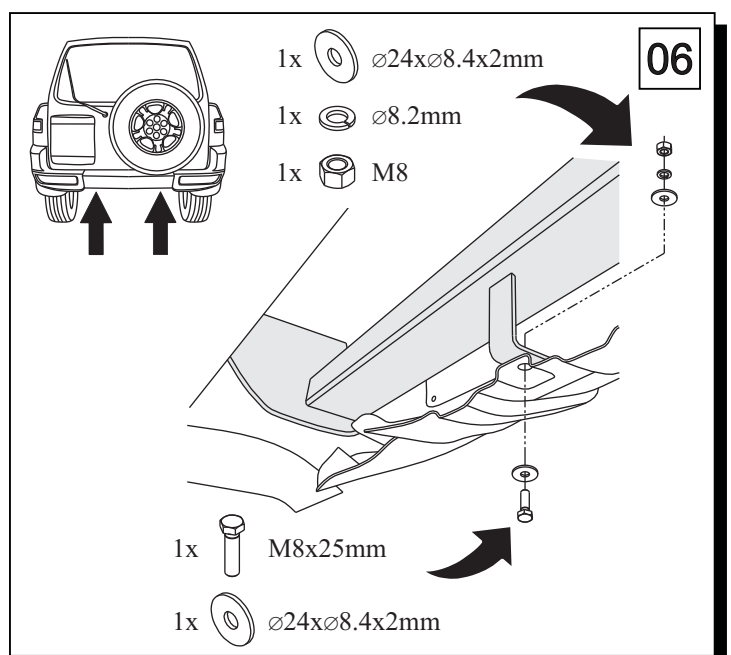
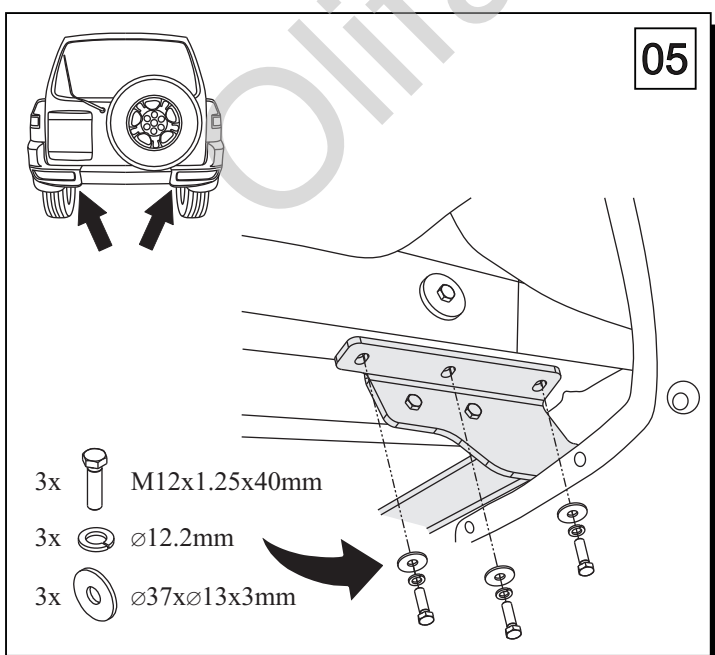
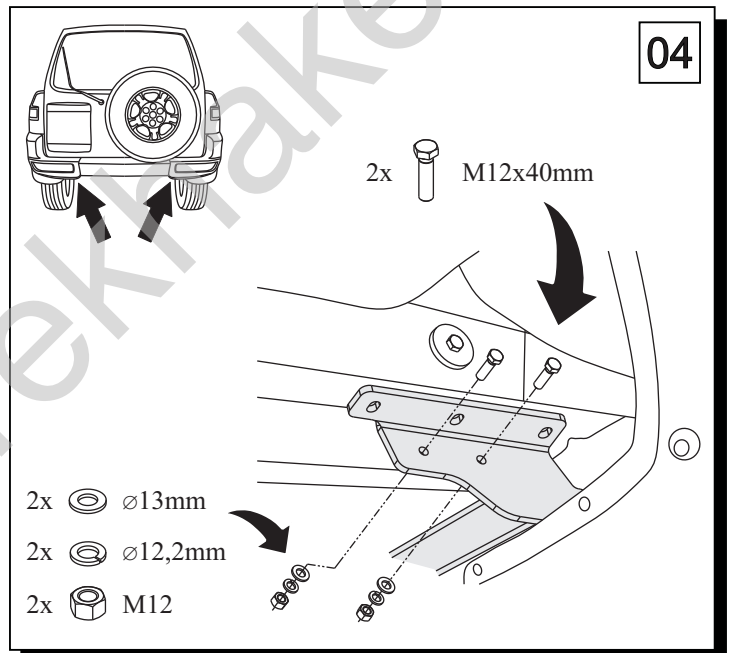
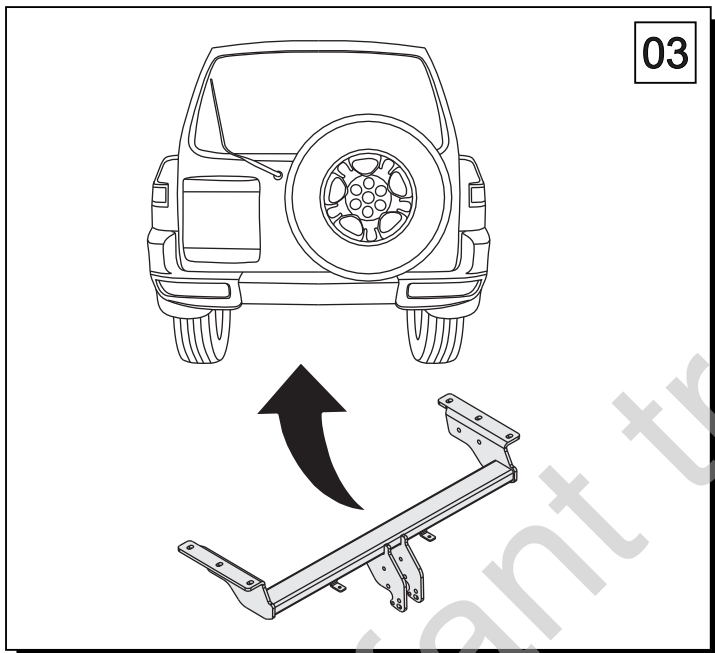
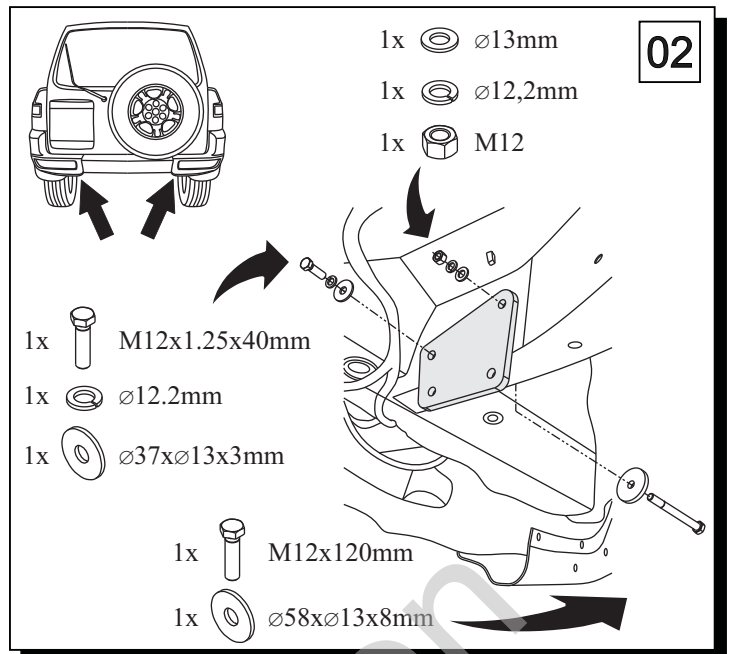
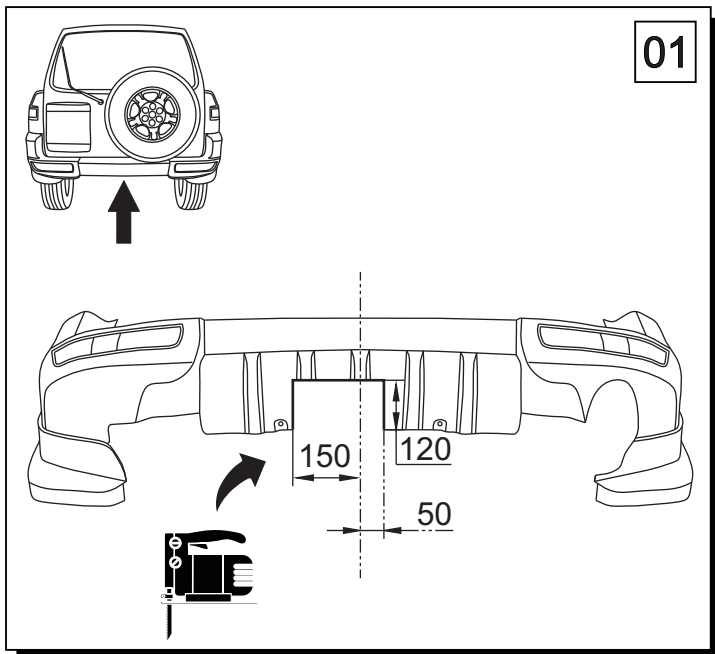
0 km

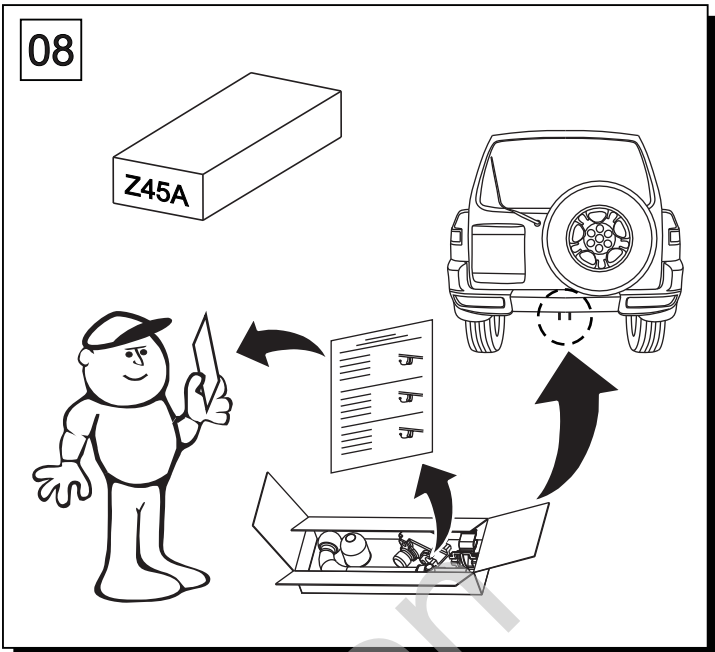
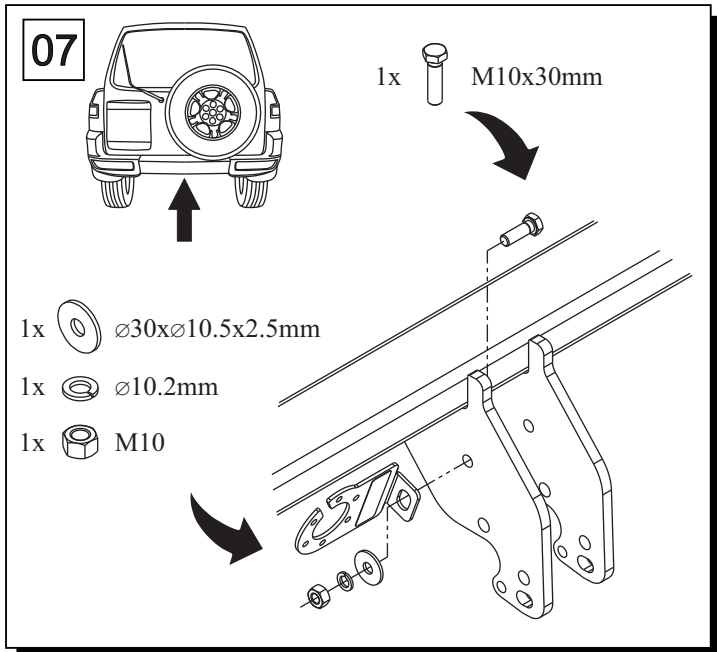


1000 km



1 	x1		6 M12x120	x2
			7 M12x40	x4
			8 M12x1.25x40	x8
			9 M10x30	x1
			10 M8x25	x2
2  Art.nr-KL1Z45A	x1		11 \varnothing 13	x6
			12 \varnothing 37x \varnothing 13x3 13 DIN 9021	8
			13 \varnothing 30x \varnothing 10.5x2.5 10 DIN 9021	1
3  Art.nr-BL1Z45A	x1		14 \varnothing 24x \varnothing 8.4x2 8 DIN 9021	4
4 	x2			15 \varnothing 12.2
5  \varnothing 58x \varnothing 13mm L=8mm	x2	16 \varnothing 10.2		x1
		17 \varnothing 8.2		x2
			18 M12	x6
			19 M10	x1
			20 M8	x2





Olifant trekhakeri