

# AUTO-HAK Sp. z o.o.

ul. Słoneczna 16K 76-200 SŁUPSK  
POLAND

tel/fax +48 59 8 414 414; +48 59 8 414 413

e-mail: [office@autohak.com.pl](mailto:office@autohak.com.pl)

[www.autohak.com.pl](http://www.autohak.com.pl)



# AUTO-HAK

## MITSUBISHI PAJERO, 3D, V60

Nr kat.

**Z45**



05.2000 → 02.2007



E20-55R-01 4804



15,41 kN



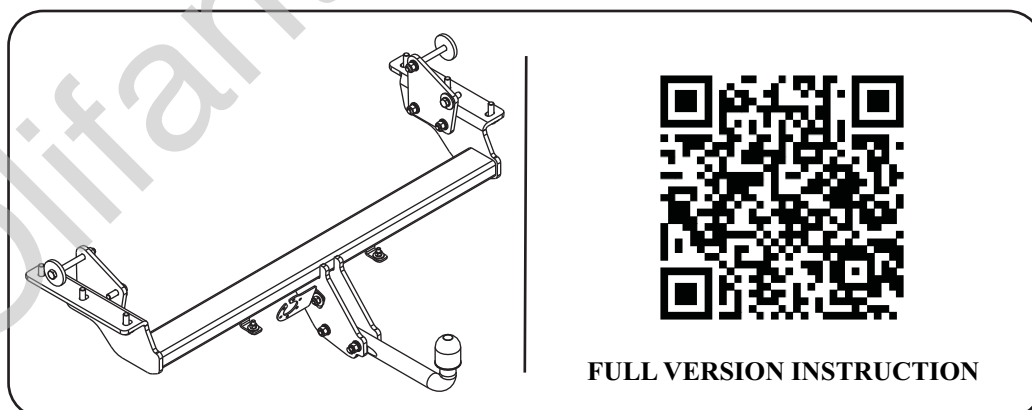
R=3000 kg



S=135 kg



2h



FULL VERSION INSTRUCTION



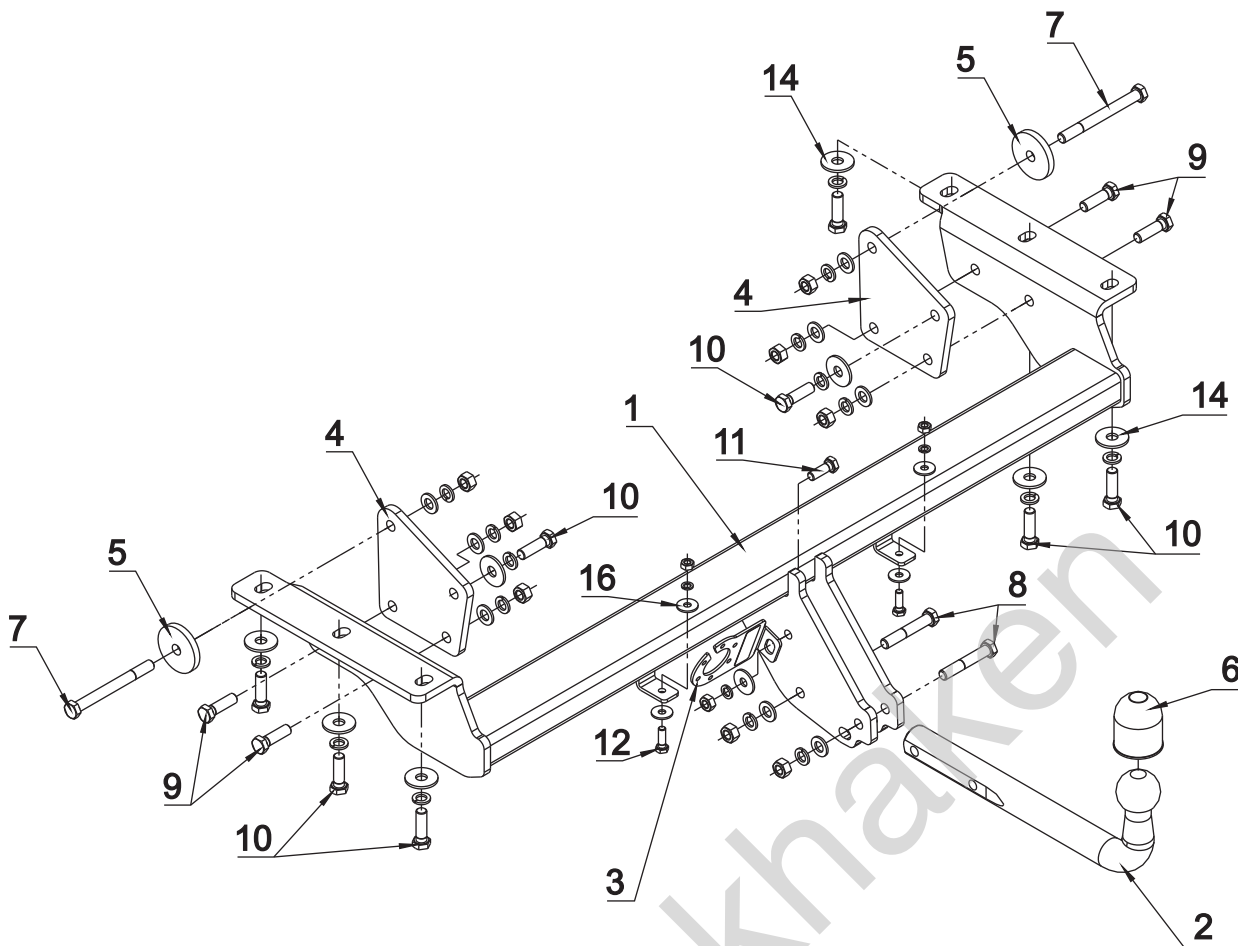
śruba	Nm	M6	M8	M10	M12	M14	M16
klasa 8.8		9,9	24	48	83	132	200
klasa 10.9		14	34	67	117	185	285

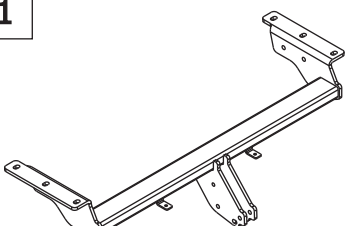

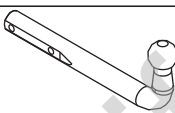

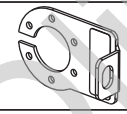




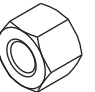


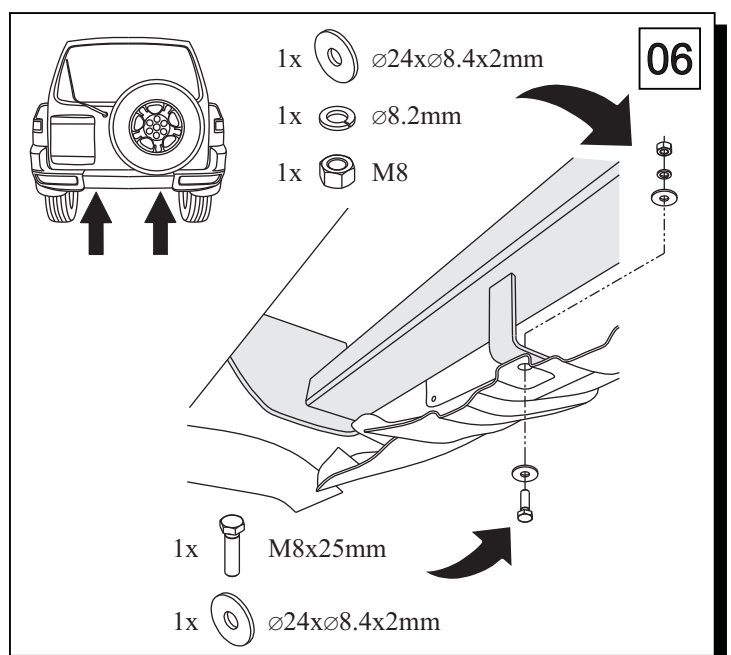
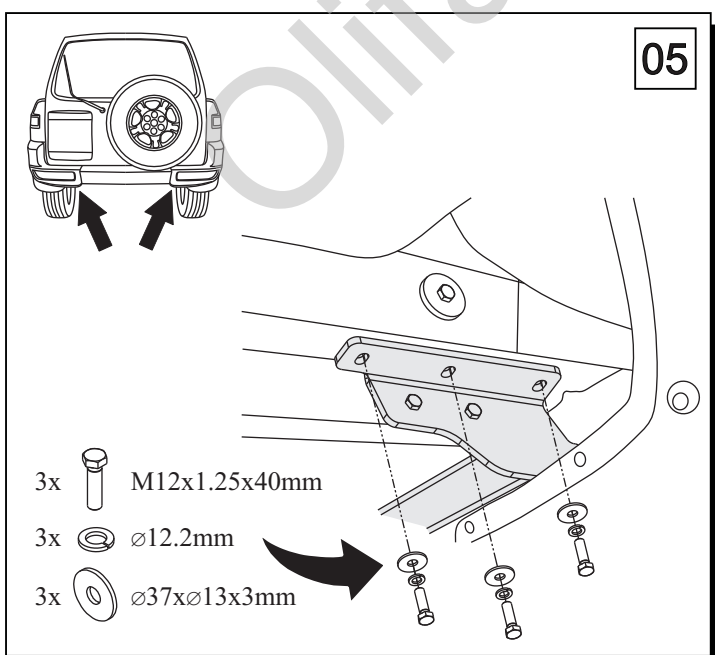
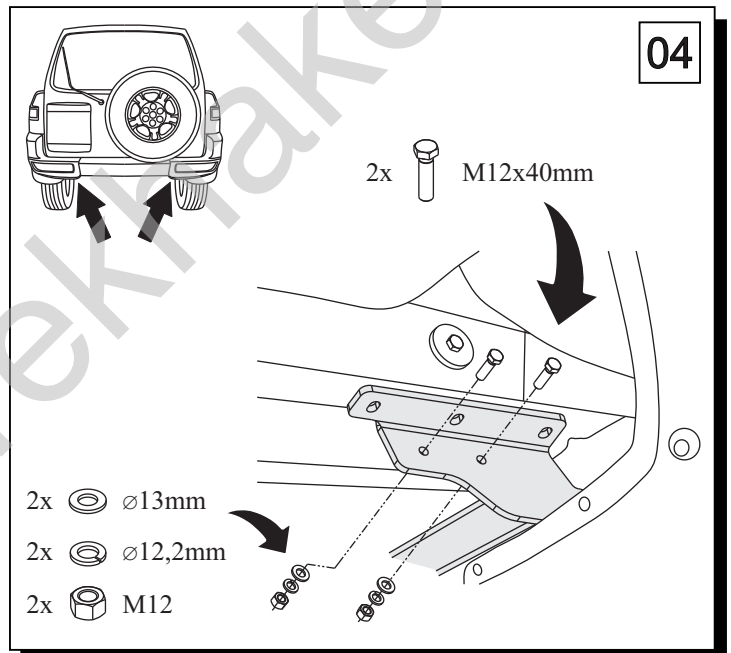
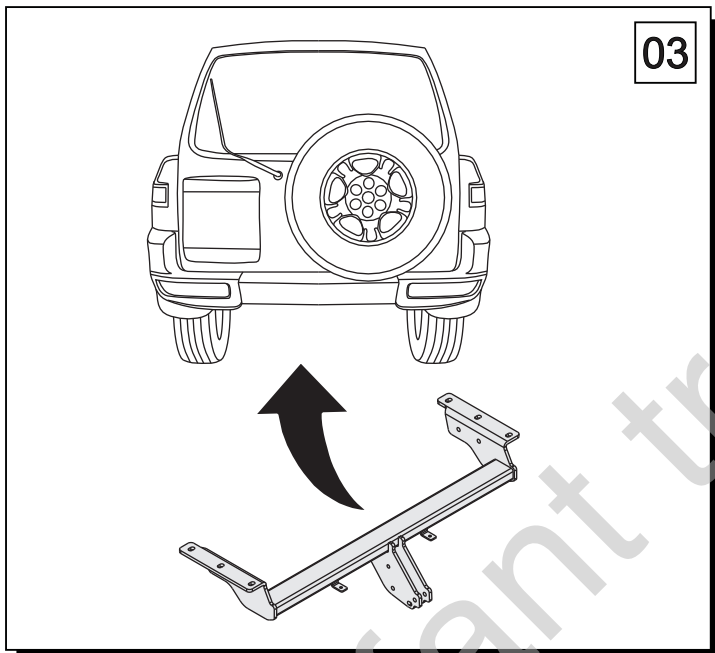
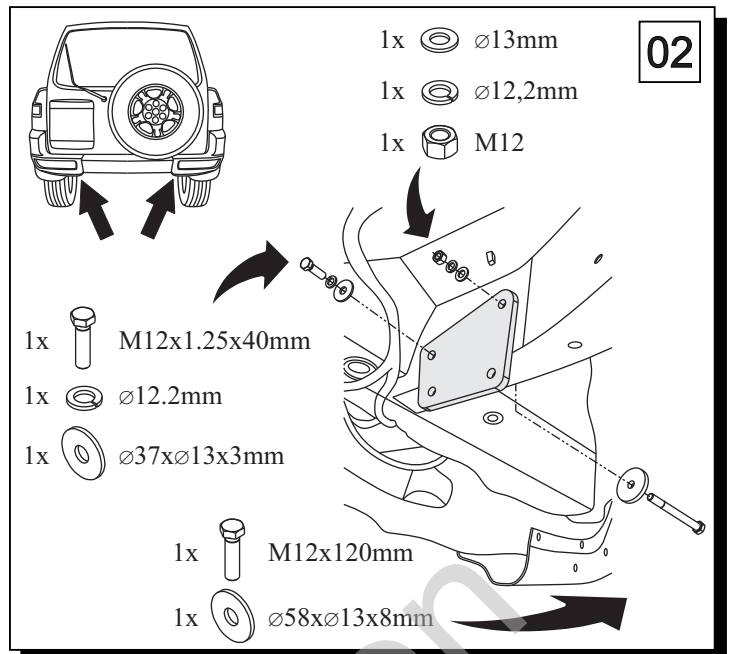
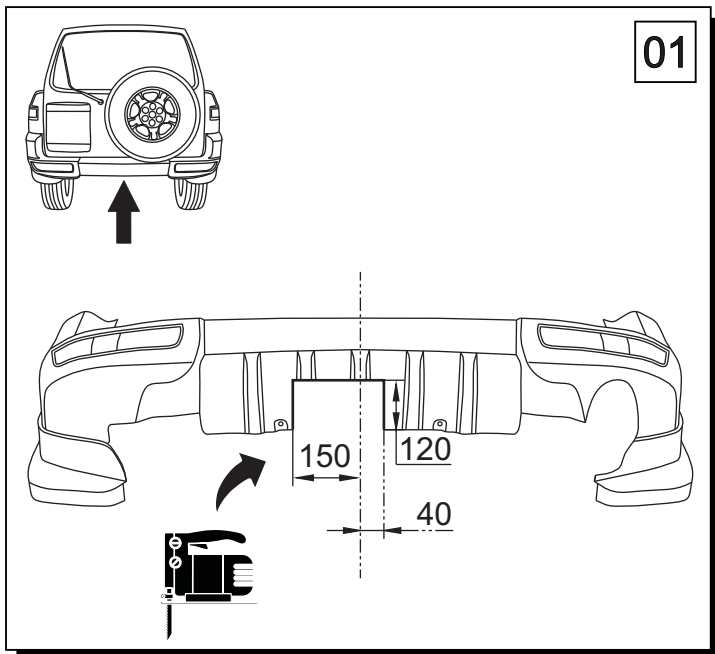
0 km

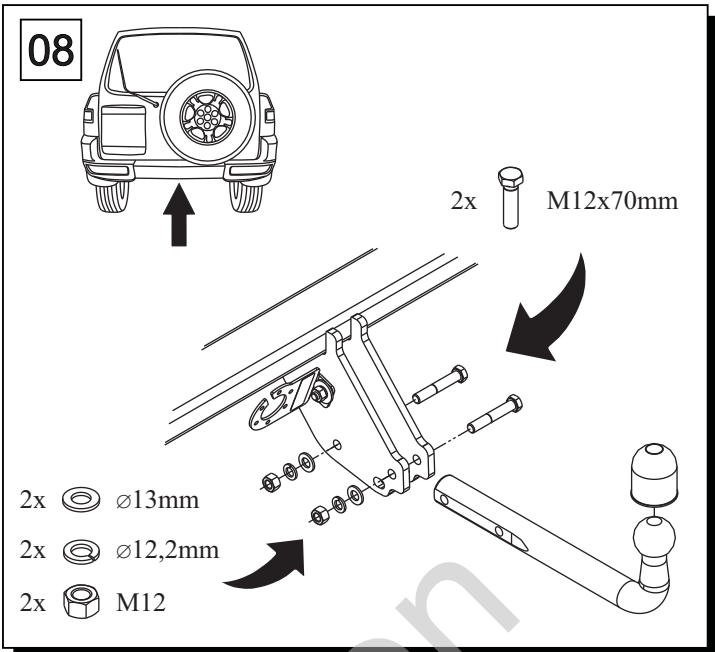
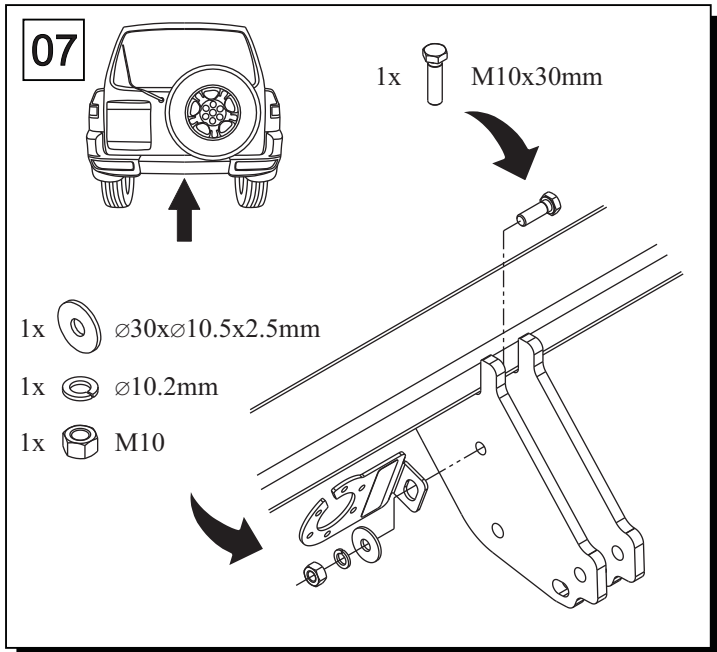


1000 km



<b>1</b>		<b>x 1</b>		<b>7</b> M12x120	<b>x 2</b>
				<b>8</b> M12x70	<b>x 2</b>
				<b>9</b> M12x40	<b>x 4</b>
				<b>10</b> M12x1.25x40	<b>x 8</b>
				<b>11</b> M10x30	<b>x 1</b>
<b>2</b>		<b>x 1</b>		<b>12</b> M 8x25	<b>x 2</b>
	Art.nr-KL1Z45			<b>13</b> $\varnothing$ 13	<b>x 8</b>
<b>3</b>		<b>x 1</b>		<b>14</b> $\varnothing$ 37x $\varnothing$ 13x3	<b>8</b>
	Art.nr-BL1Z45			13 DIN 9021	
<b>4</b>		<b>x 2</b>		<b>15</b> $\varnothing$ 30x $\varnothing$ 10.5x2.5	<b>1</b>
				10 DIN 9021	
<b>5</b>		<b>x 2</b>		<b>16</b> $\varnothing$ 24x $\varnothing$ 8.4x2	<b>4</b>
	$\varnothing$ 58x $\varnothing$ 13mm L=8mm			8 DIN 9021	
<b>6</b>		<b>x 1</b>		<b>17</b> $\varnothing$ 12.2	<b>x 16</b>
				<b>18</b> $\varnothing$ 10.2	<b>x 1</b>
				<b>19</b> $\varnothing$ 8.2	<b>x 2</b>
				<b>20</b> M12	<b>x 8</b>
				<b>21</b> M10	<b>x 1</b>
				<b>22</b> M 8	<b>x 2</b>





Olifant trekhaken