

PPUH AUTO-HAK Sp.J.

Henryk i Zbigniew Nejman
ul. Słoneczna 16K 76-200 SŁUPSK
POLAND

tel/fax +48 59 8 414 414; +48 59 8 414 413

e-mail: office@autohak.com.pl

www.autohak.com.pl



AUTO-HAK



mitsubishi pinin
3D (H60)

Cat. no:

Z44



11.1999 → 06.2007



E20-55R-01 4698



9,43 kN



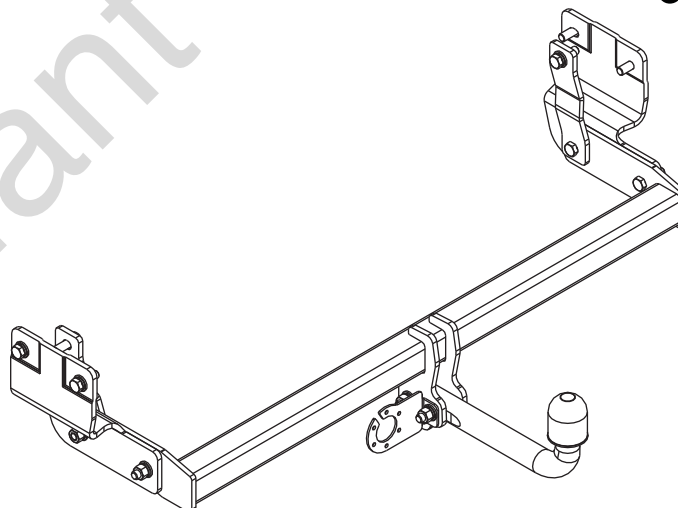
R=1500 kg



S=75 kg



2h



M6 - 8,5 Nm
M10 - 41 Nm
M14 - 112 Nm

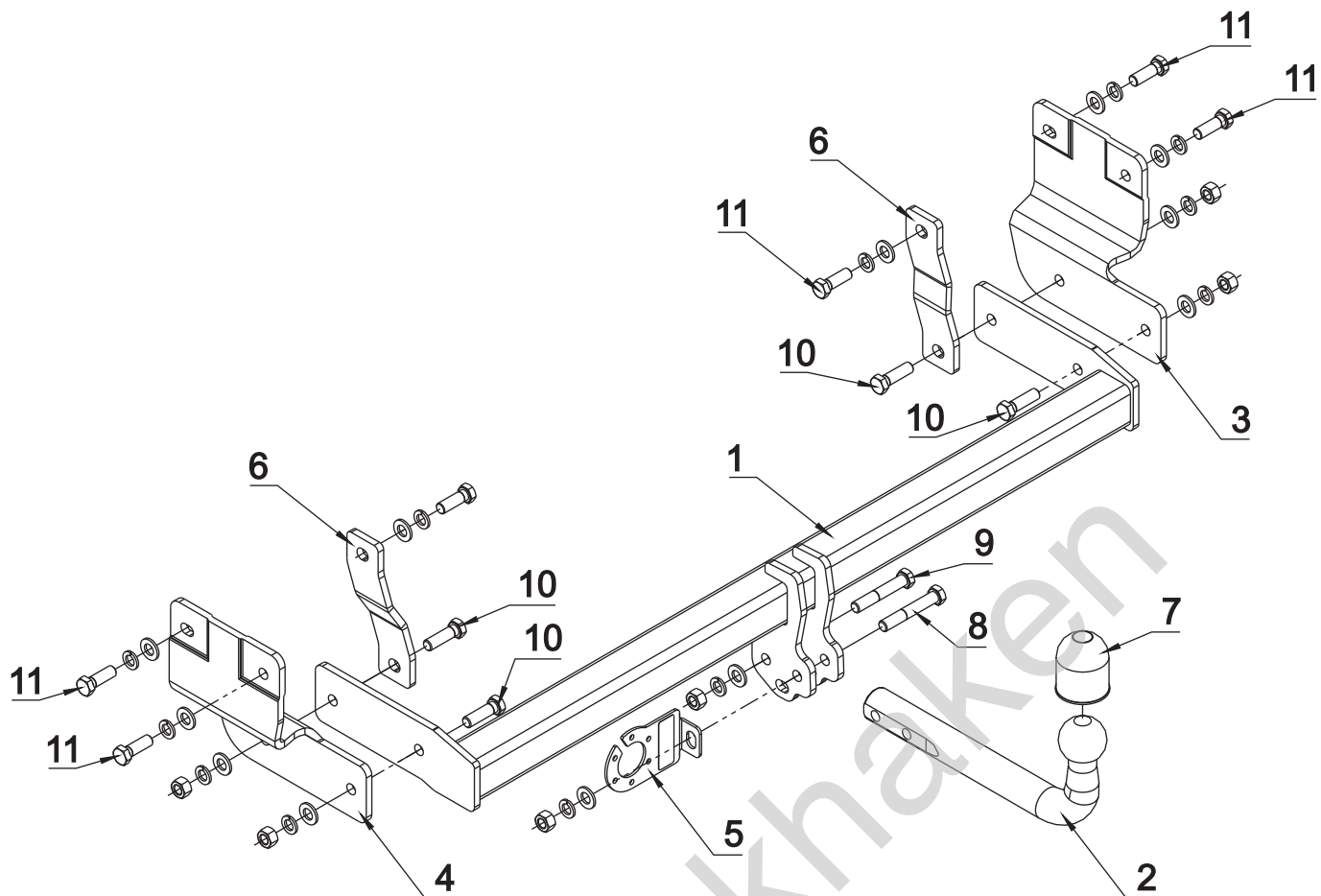
M8 - 20 Nm
M12 - 70 Nm
M16 - 170 Nm

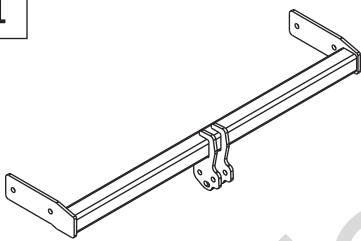


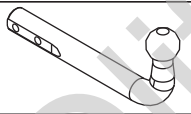




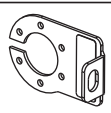




0 km →



1000 km



1		x1		8 M12x75	x1
				9 M12x70	x1
				10 M12x40	x4
				11 M12x1.25x35	x6
				12 \varnothing 13	x12
2		x1			
		Art.nr-KL1Z44		13 \varnothing 12.2	x12
3		x1			
4		x1		14 M12	x6
5		x1			
		Art.nr-BL1Z44			
6		x2			
7		x1			

