

# AUTO-HAK Sp. z o.o.

ul. Słoneczna 16K 76-200 SŁUPSK  
POLAND

tel/fax +48 59 8 414 414; +48 59 8 414 413


e-mail: [office@autohak.com.pl](mailto:office@autohak.com.pl)


[www.autohak.com.pl](http://www.autohak.com.pl)



# AUTO-HAK

## • MITSUBISHI ASX SUV, Diesel, petrol engine

 07.2010 → 05.2012

 06.2012 → 08.2019

Cat. no:

**Z43A**

## • CITROEN C4 Aircross SUV

 03.2012 →

## • PEUGEOT 4008 SUV

 03.2012 →



**2h**



E20-55R-01 2994

**D**

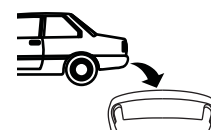
8,51 kN



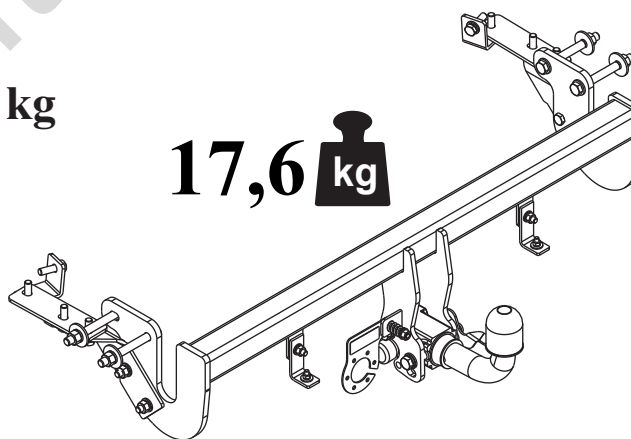
R=1400 kg



S=70 kg

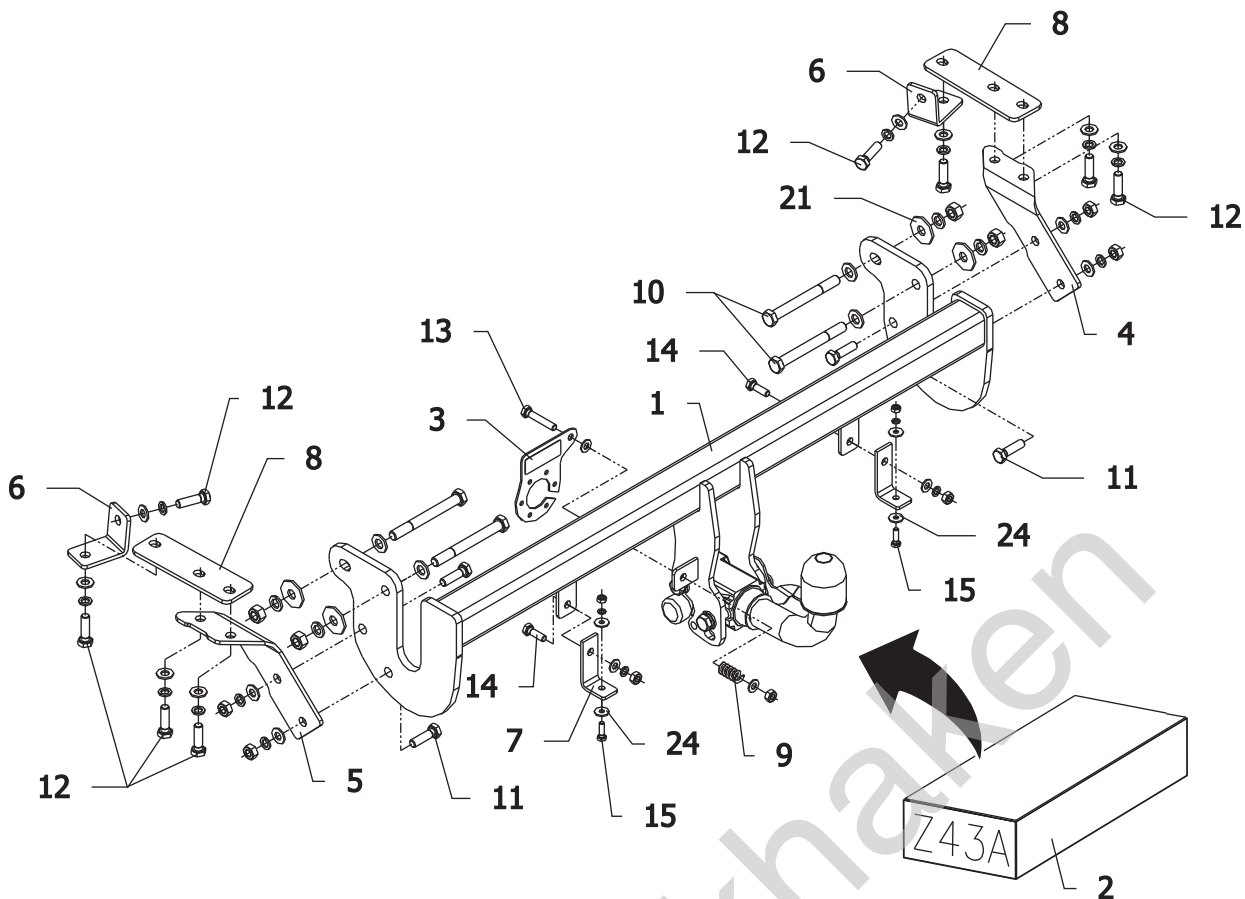


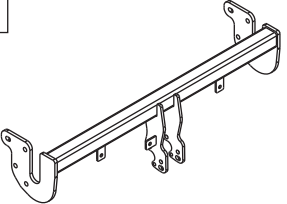

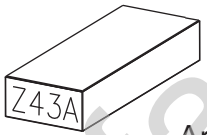

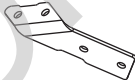
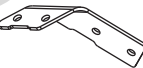
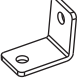

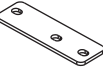

**17,6 kg**

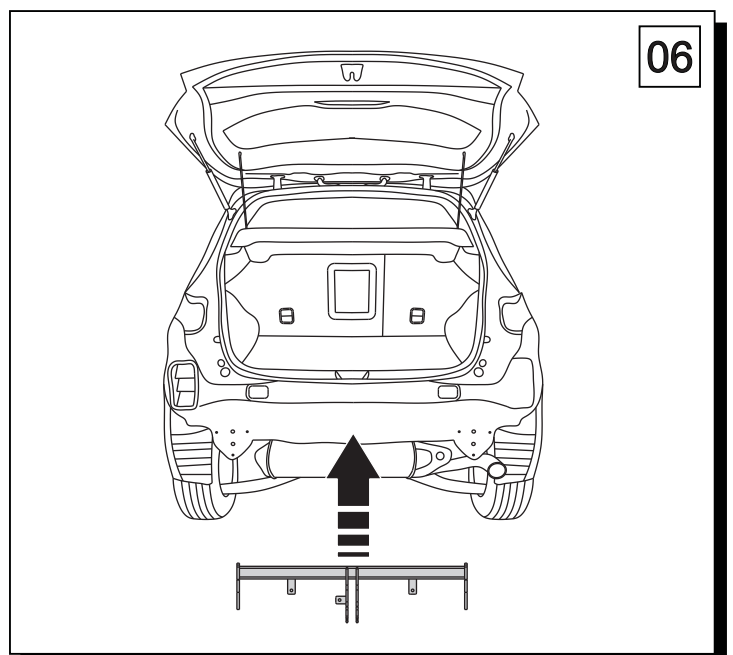
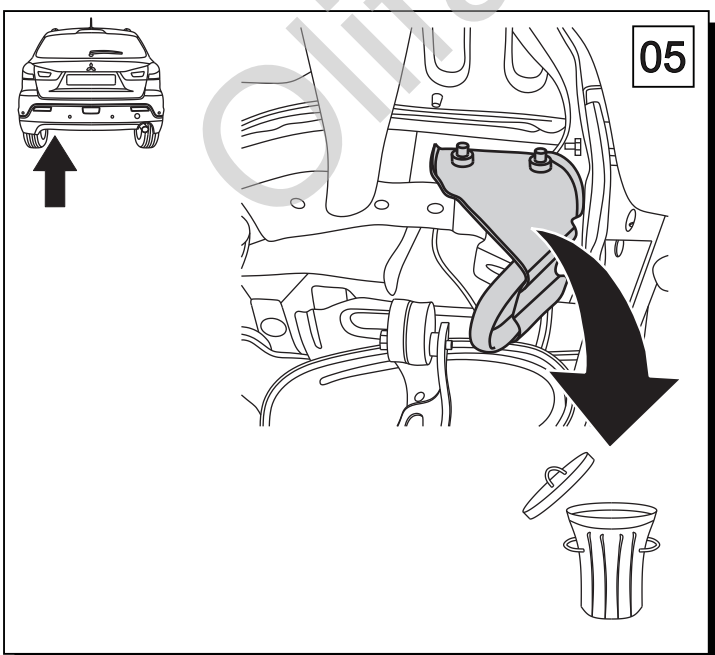
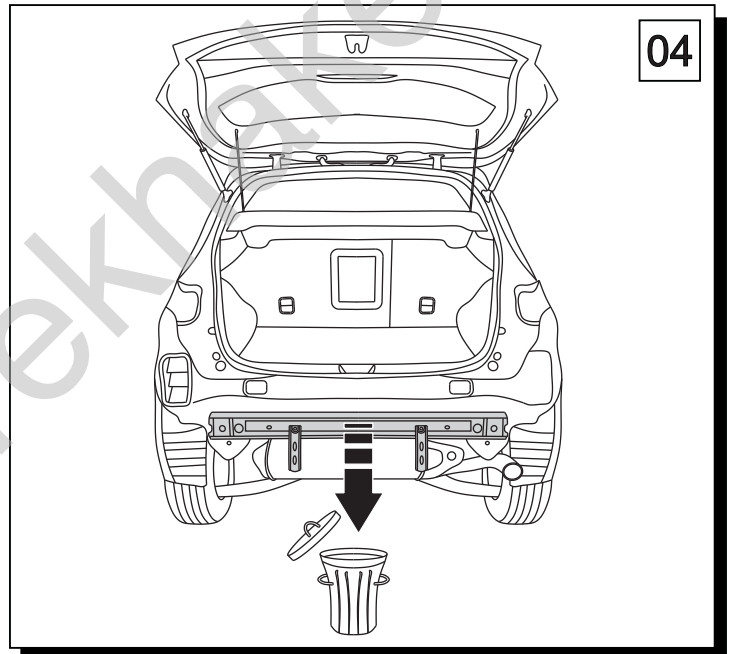
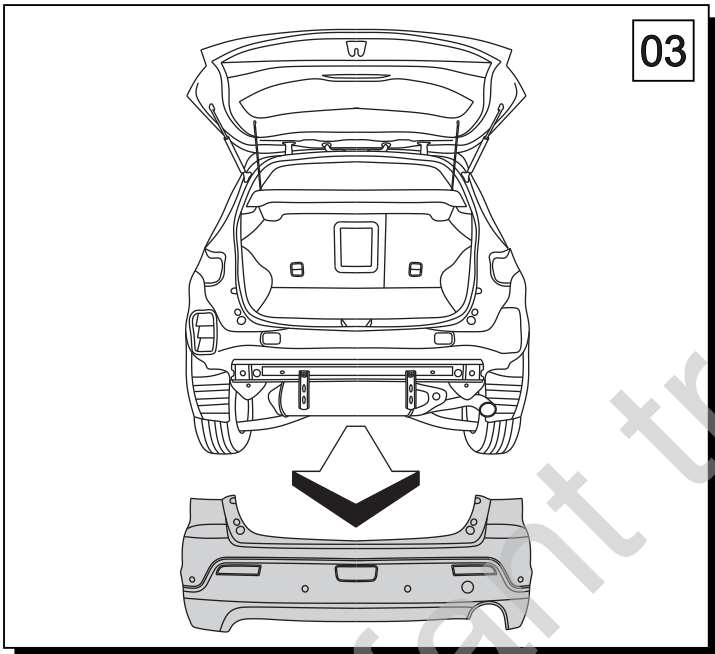
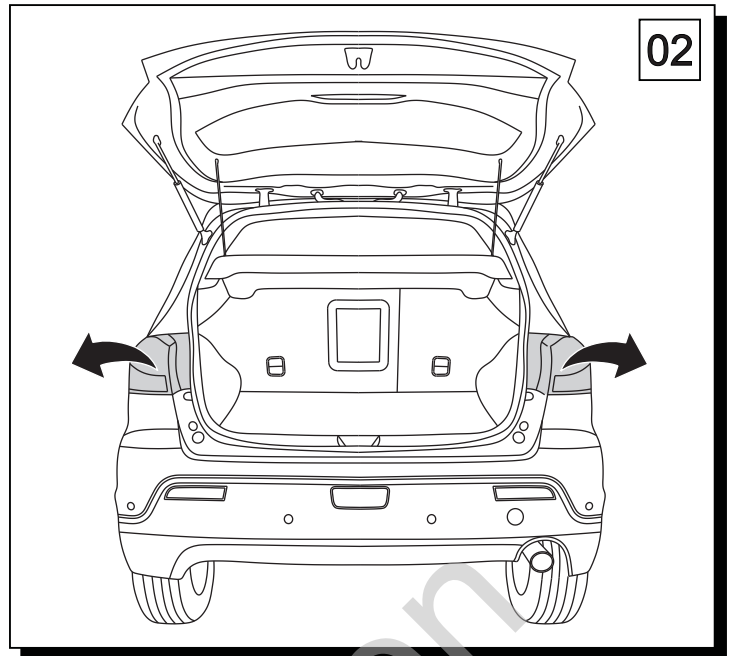
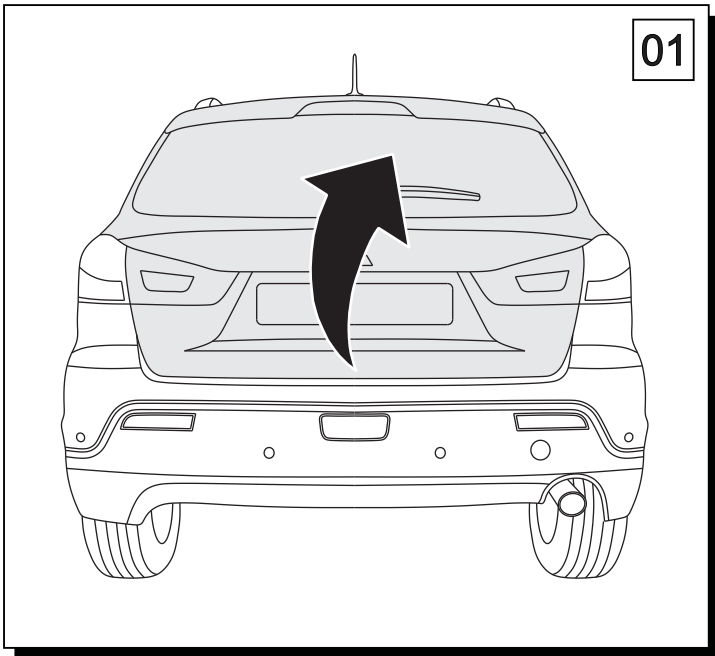


śruba Nm	M6	M8	M10	M12	M14	M16
klasa 8.8	9,9	24	48	83	132	200
klasa 10.9	14	34	67	117	185	285

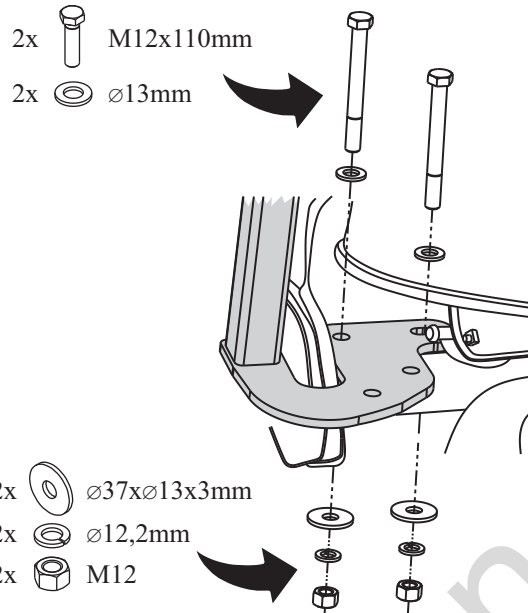
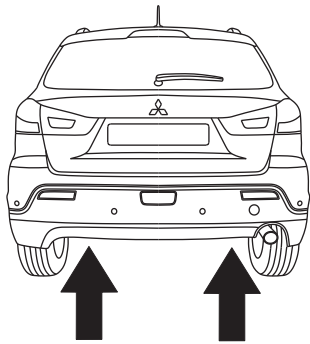
 0 km →  1000 km



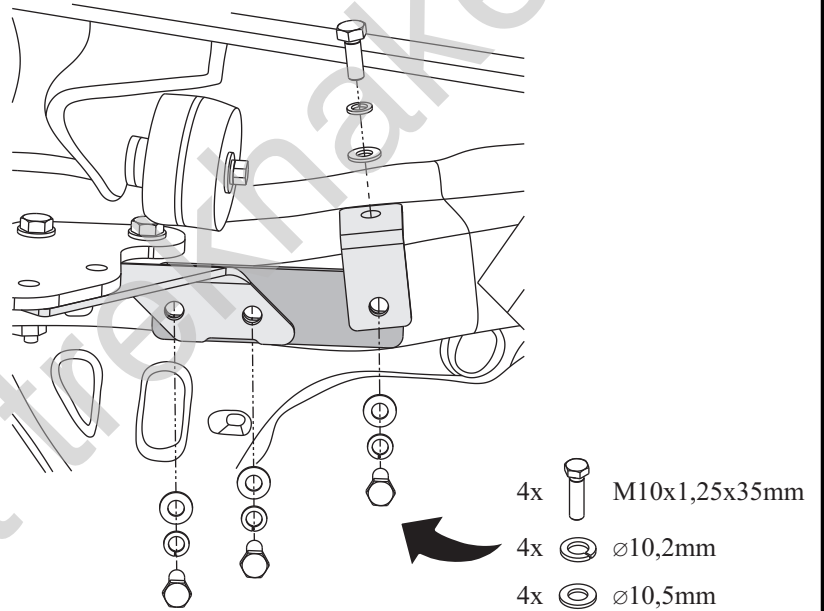
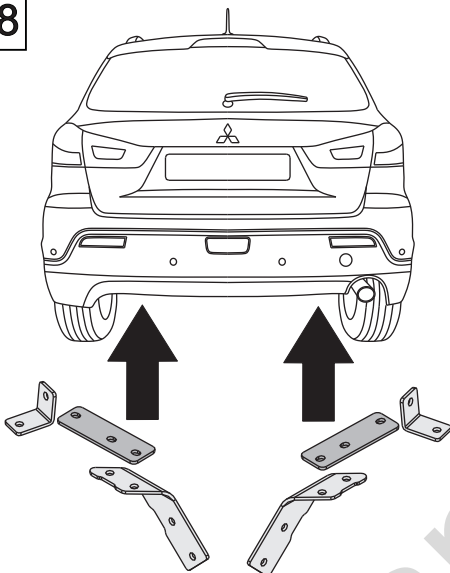
	<b>1</b>	<b>x1</b>		<b>10</b>	M12x110	<b>x4</b>		
	 Art.nr-KL1Z43A	<b>2</b>		<b>x1</b>	<b>11</b>	M10x35	<b>x4</b>	
		 Art.nr-BL1Z43A		<b>3</b>	<b>x1</b>	<b>12</b>	M10x1,25x35	<b>x8</b>
					<b>4</b>	<b>x1</b>	<b>13</b>	M8x45
					<b>5</b>	<b>x1</b>	<b>14</b>	M8x25
					<b>6</b>	<b>x2</b>	<b>15</b>	M6x20
					<b>7</b>	<b>x2</b>	<b>16</b>	M12
					<b>8</b>	<b>x2</b>	<b>17</b>	M10
					<b>9</b>	<b>x1</b>	<b>18</b>	M8
							<b>19</b>	M6
			<b>20</b>	Ø 13	<b>x4</b>			
			<b>21</b>	Ø 37xØ13x3 13 DIN 9021	<b>4</b>			
			<b>22</b>	Ø 10.5	<b>x12</b>			
			<b>23</b>	Ø 8.5	<b>x4</b>			
			<b>24</b>	Ø 18xØ6.4x1.6 6 DIN 9021	<b>4</b>			
			<b>25</b>	Ø 12.2	<b>x4</b>			
			<b>26</b>	Ø 10.2	<b>x12</b>			
			<b>27</b>	Ø 8.2	<b>x2</b>			
			<b>28</b>	Ø 6.1	<b>x2</b>			



07



08



09

