

# AUTO-HAK Sp. z o.o.

ul. Słoneczna 16K 76-200 SŁUPSK  
POLAND

tel/fax +48 59 8 414 414; +48 59 8 414 413

e-mail: [office@autohak.com.pl](mailto:office@autohak.com.pl)

[www.autohak.com.pl](http://www.autohak.com.pl)



# AUTO-HAK

## • MITSUBISHI ASX SUV, Diesel, petrol engine

07.2010 → 05.2012

06.2012 → 08.2019

Cat. no:

**Z43**

## • CITROEN C4 Aircross SUV

03.2012 →

## • PEUGEOT 4008 SUV

03.2012 →



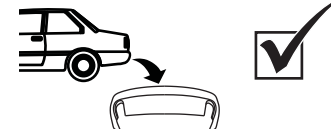
**2h**

**E20** E20-55R-01 2993

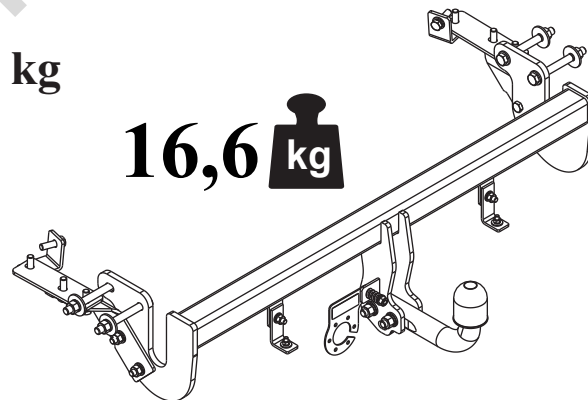
**D** 8,51 kN

**R=1400 kg**

**S=70 kg**

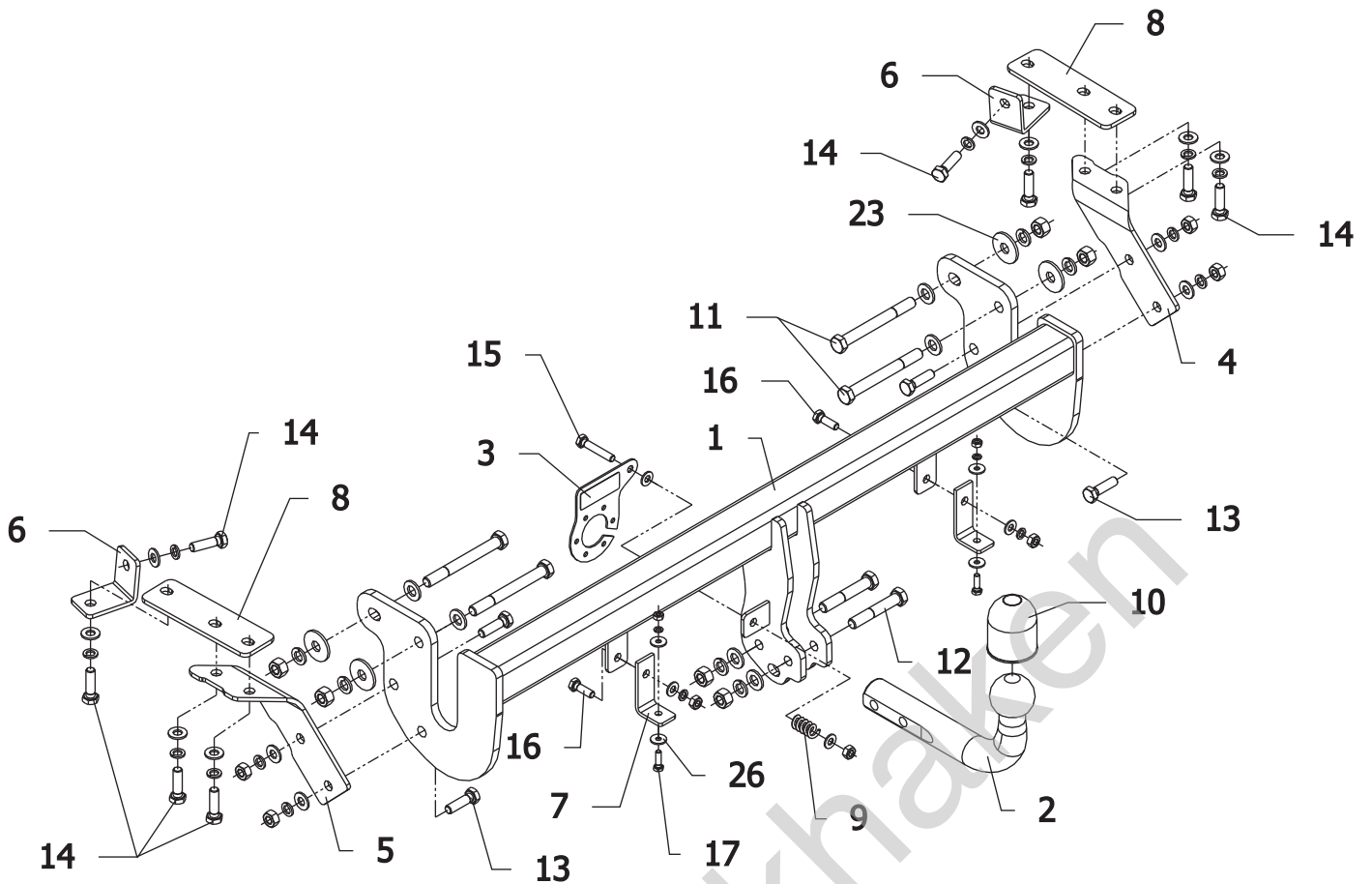


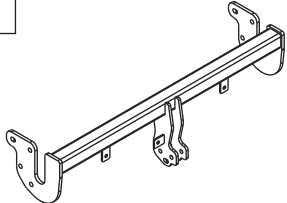
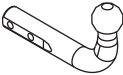


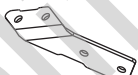


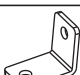





**16,6 kg**

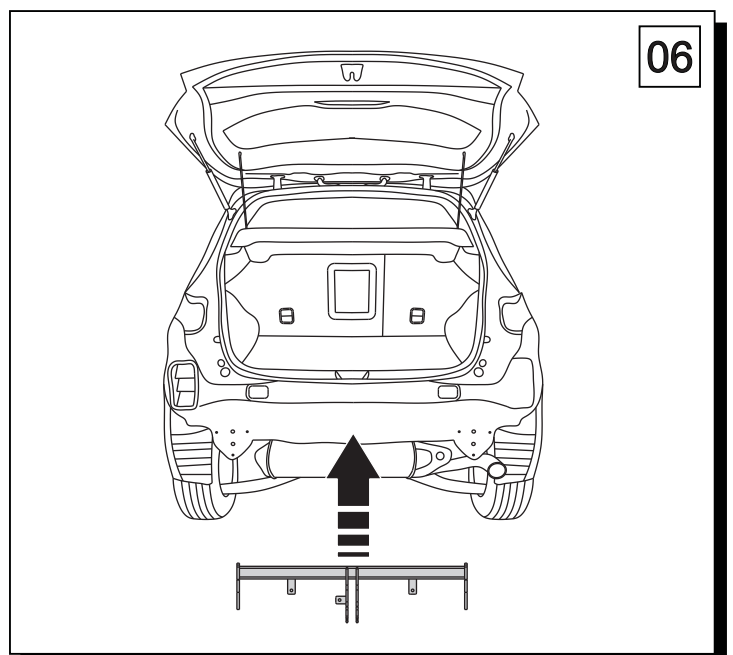
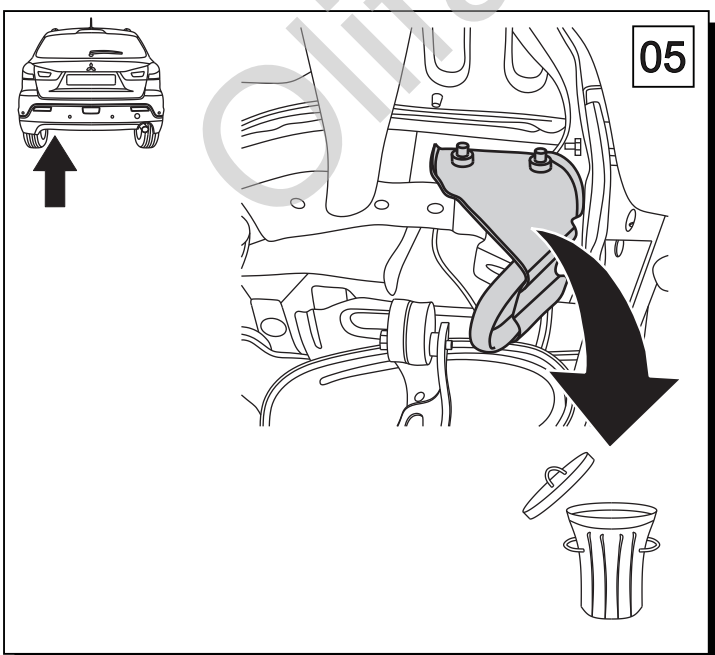
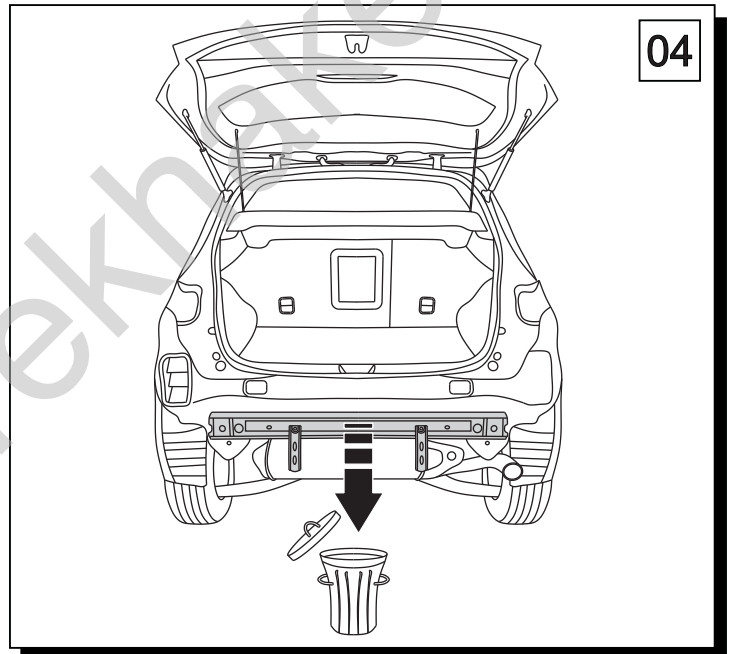
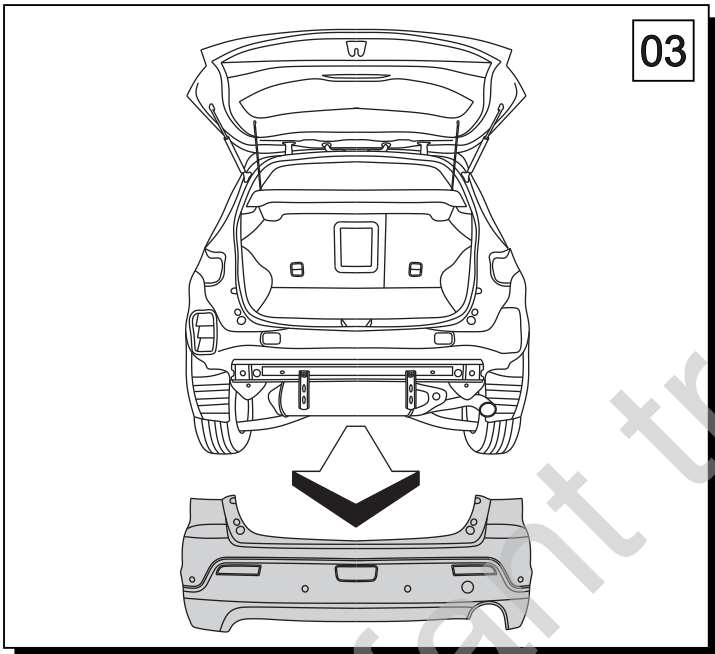
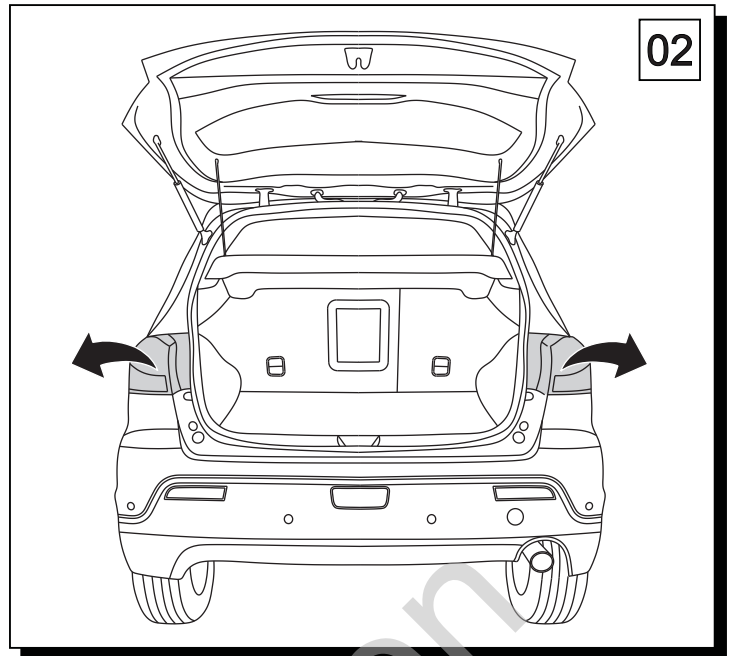
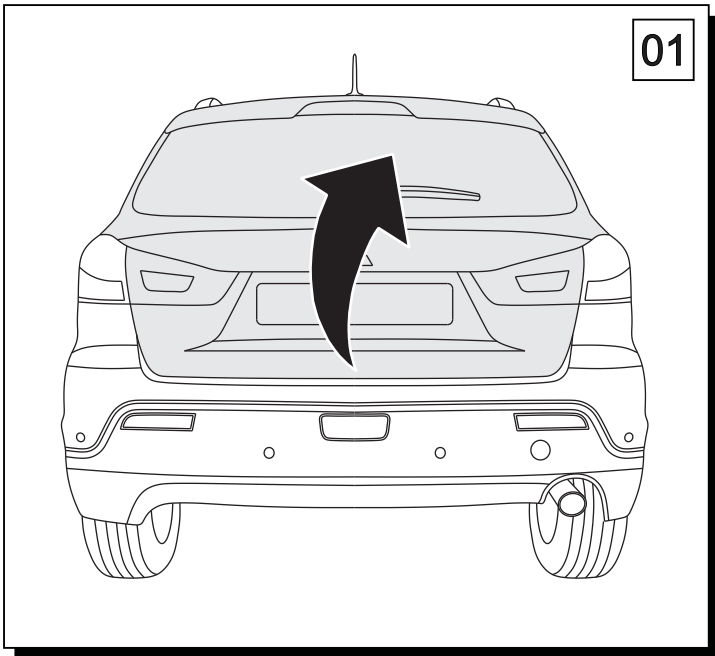


śruba Nm	M6	M8	M10	M12	M14	M16
klasa 8.8	9,9	24	48	83	132	200
klasa 10.9	14	34	67	117	185	285

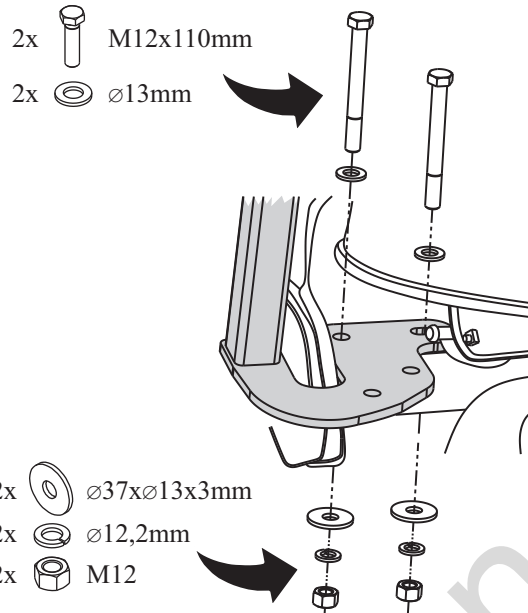
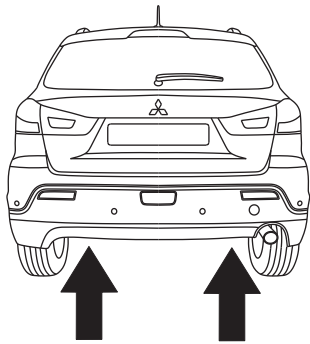
0 km → 1000 km



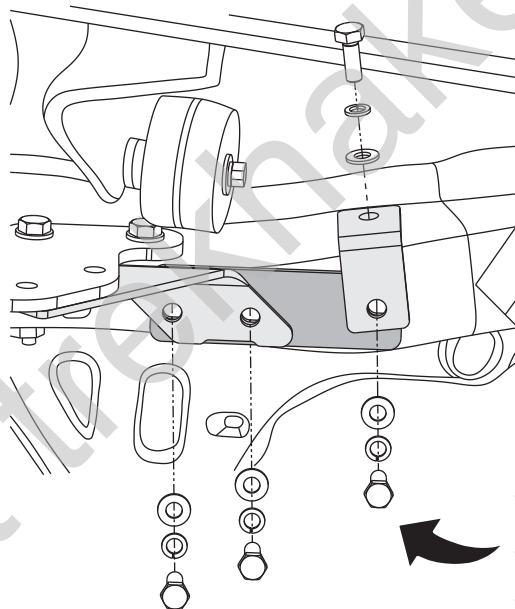
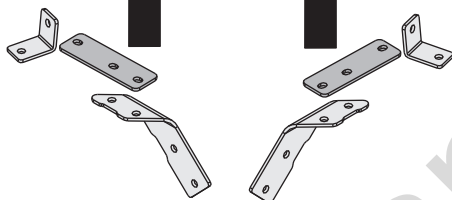
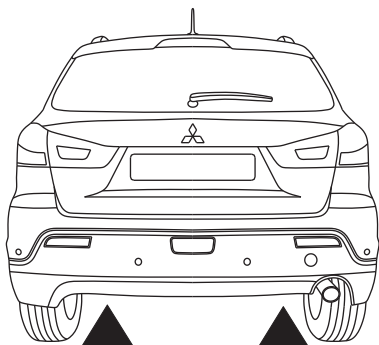
1		x1		11	M12x110	x4
2	 Art.nr-KL1Z43	x1		12	M12x70	x2
3	 Art.nr-BL1Z43	x1		13	M10x35	x4
4		x1		14	M10x1,25x35	x8
5		x1		15	M8x45	x1
6		x2		16	M8x25	x2
7		x2		17	M6x20	x2
8		x2		18	M12	x6
9		x1		19	M10	x4
10		x1		20	M8	x3
				21	M6	x2
				22	∅ 13	x6
				23	∅ 37x∅13x3 13 DIN 9021	4
				24	∅ 10.5	x12
				25	∅ 8.5	x4
				26	∅ 18x∅6.4x1.6 6 DIN 9021	4
				27	∅ 12.2	x6
				28	∅ 10.2	x12
				29	∅ 8.2	x2
				30	∅ 6.1	x2



07



08



09

