

AUTO-HAK Sp. z o.o.

ul. Słoneczna 16K 76-200 SŁUPSK
POLAND

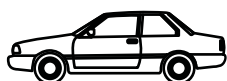
tel/fax +48 59 8 414 414; +48 59 8 414 413

e-mail: office@autohak.com.pl

www.autohak.com.pl



AUTO-HAK



MITSUBISHI OUTLANDER

Cat. no:

Z42A



10.2012 → 12.2018

01.2019 →



E20-55R-01 2991



11,0 kN



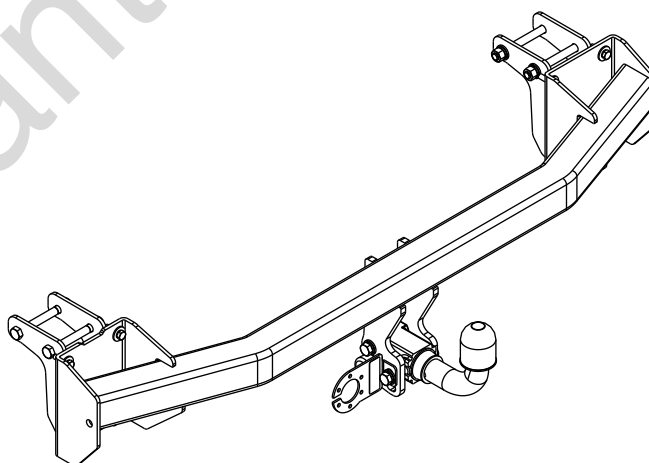
R=2000 kg



S=100 kg



2h



M6 - 11 Nm
M10 - 50 Nm
M14 - 138 Nm

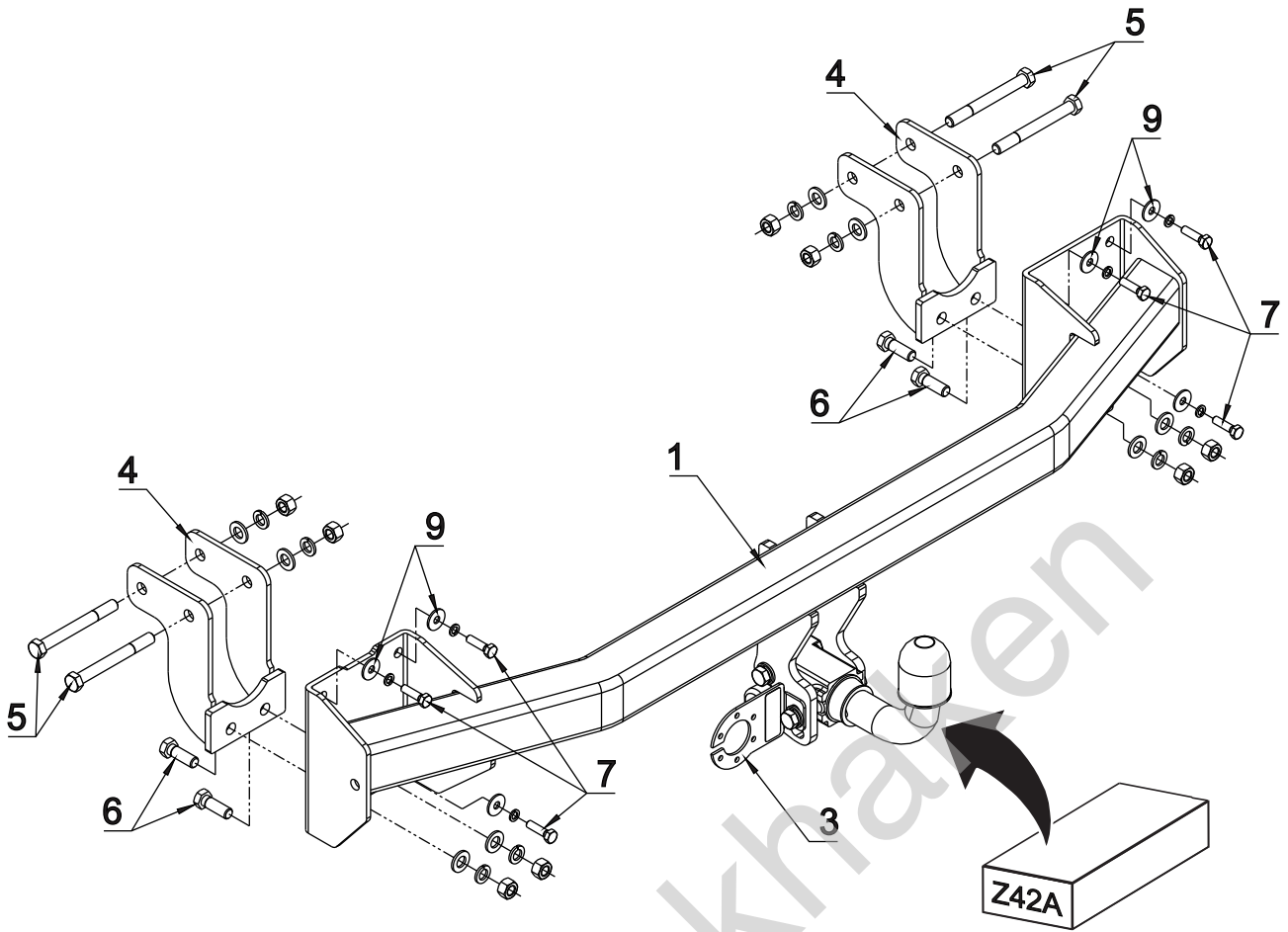
M8 - 25 Nm
M12 - 87 Nm
M16 - 210 Nm

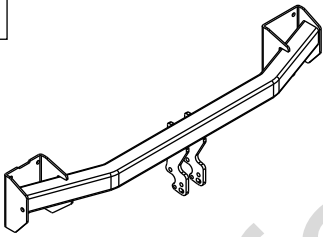

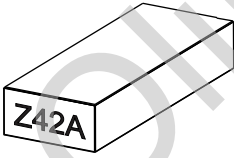

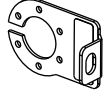

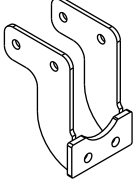
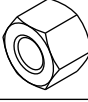


0 km →



1000 km

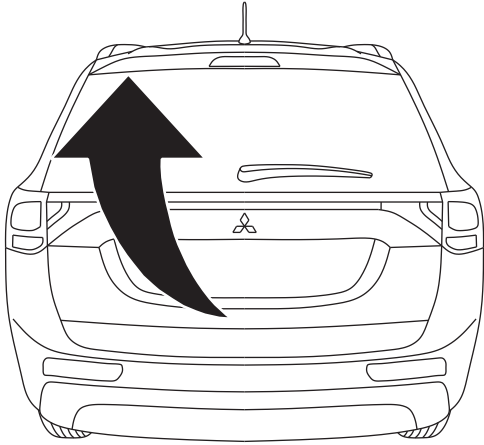


1		x 1		5	M12x110	x 4
				6	M12x35	x 4
2		x 1		7	M8x30	x 6
				8	∅ 13	x 8
				9	∅ 24x∅8.5x2 8 (DIN 9021)	x 6
3		x 1		10	∅ 12.2	x 8
				11	∅ 8.2	x 6
4		x 2		12	M12	x 8

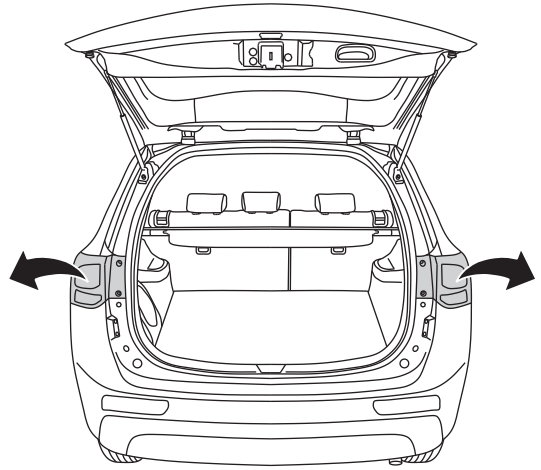
Art.nr-KL1Z42A

Art.nr-BL1Z42A

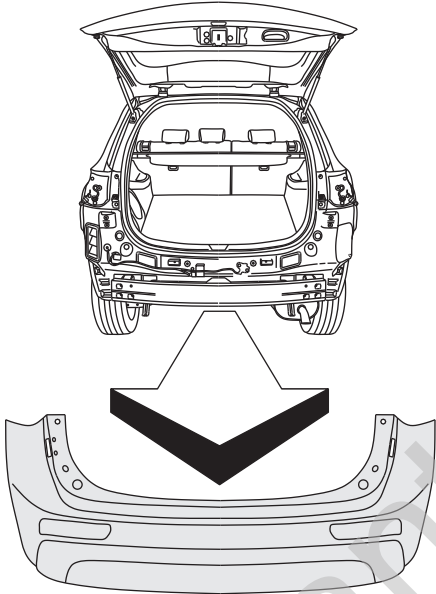
01



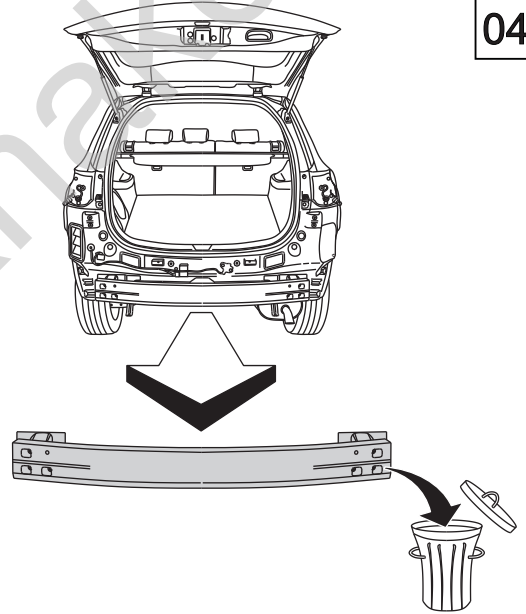
02



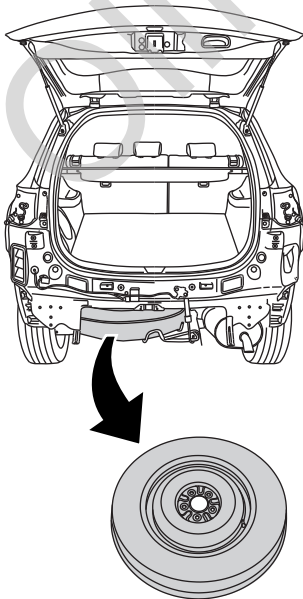
03



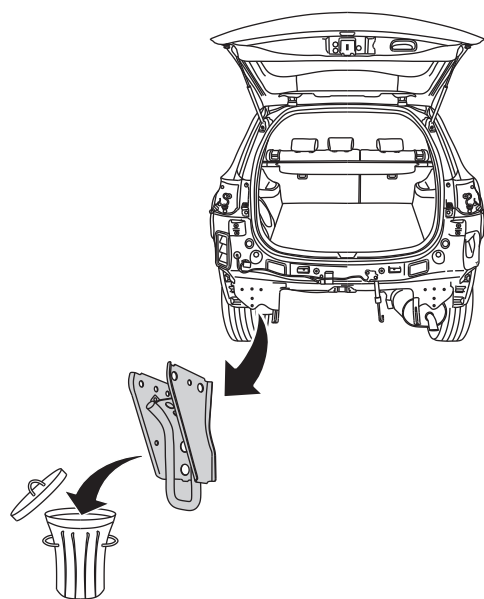
04



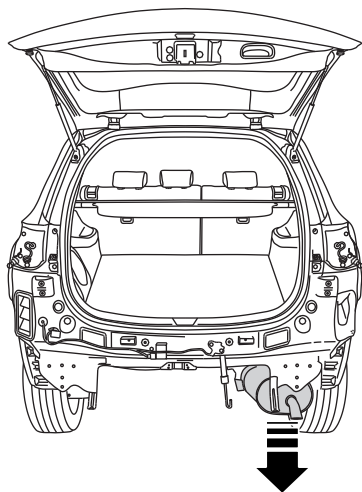
05



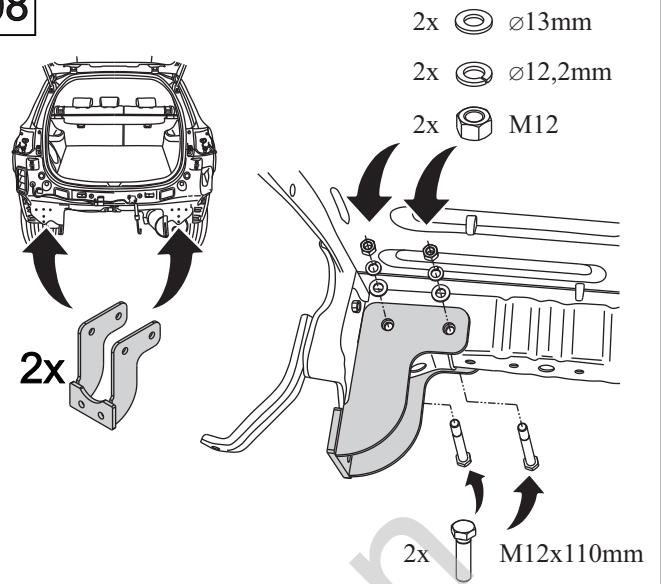
06



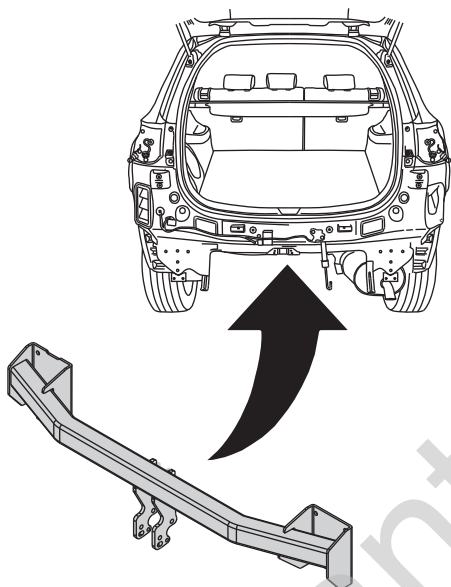
07



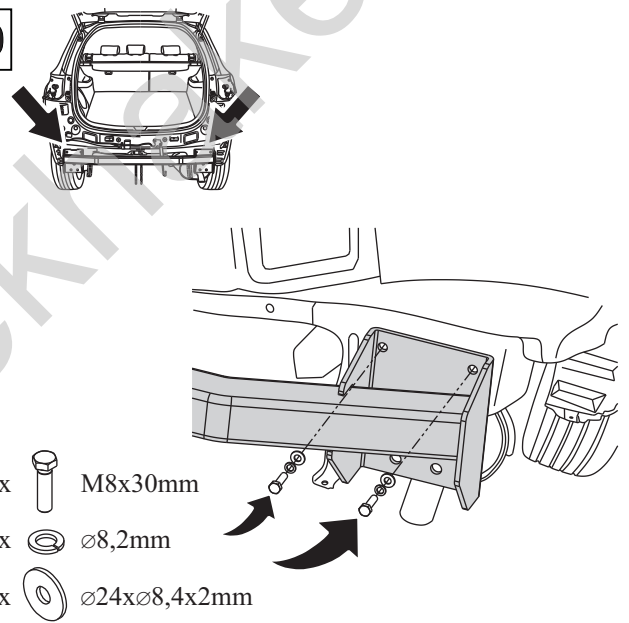
08



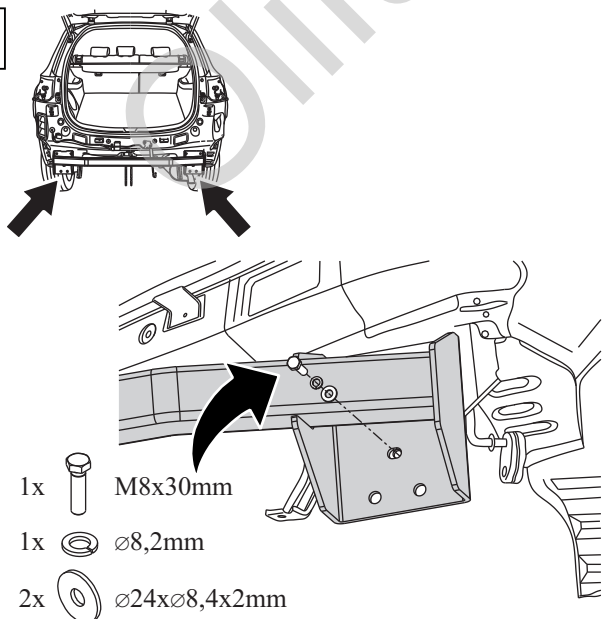
09



10



11



12

