

AUTO-HAK Sp. z o.o.

ul. Słoneczna 16K 76-200 SŁUPSK
POLAND

tel/fax +48 59 8 414 414; +48 59 8 414 413

e-mail: office@autohak.com.pl

www.autohak.com.pl



AUTO-HAK



MITSUBISHI OUTLANDER

Cat. no:

Z42



10.2012 → 12.2018

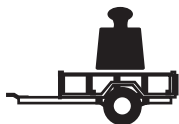
01.2019 →



E20-55R-01 2990



11,0 kN



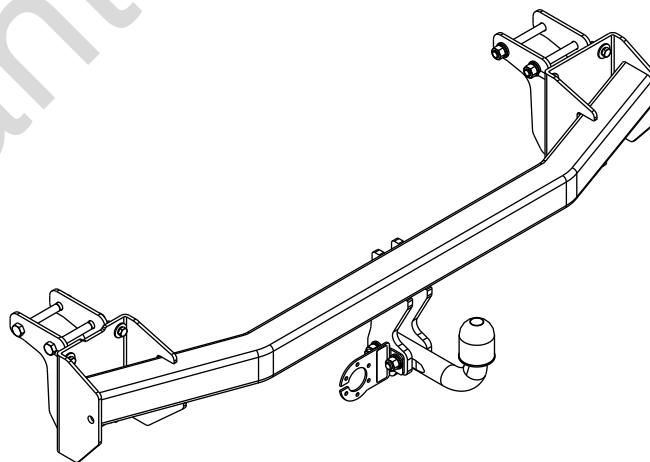
R=2000 kg



S=100 kg



2h



M6 - 11 Nm
M10 - 50 Nm
M14 - 138 Nm

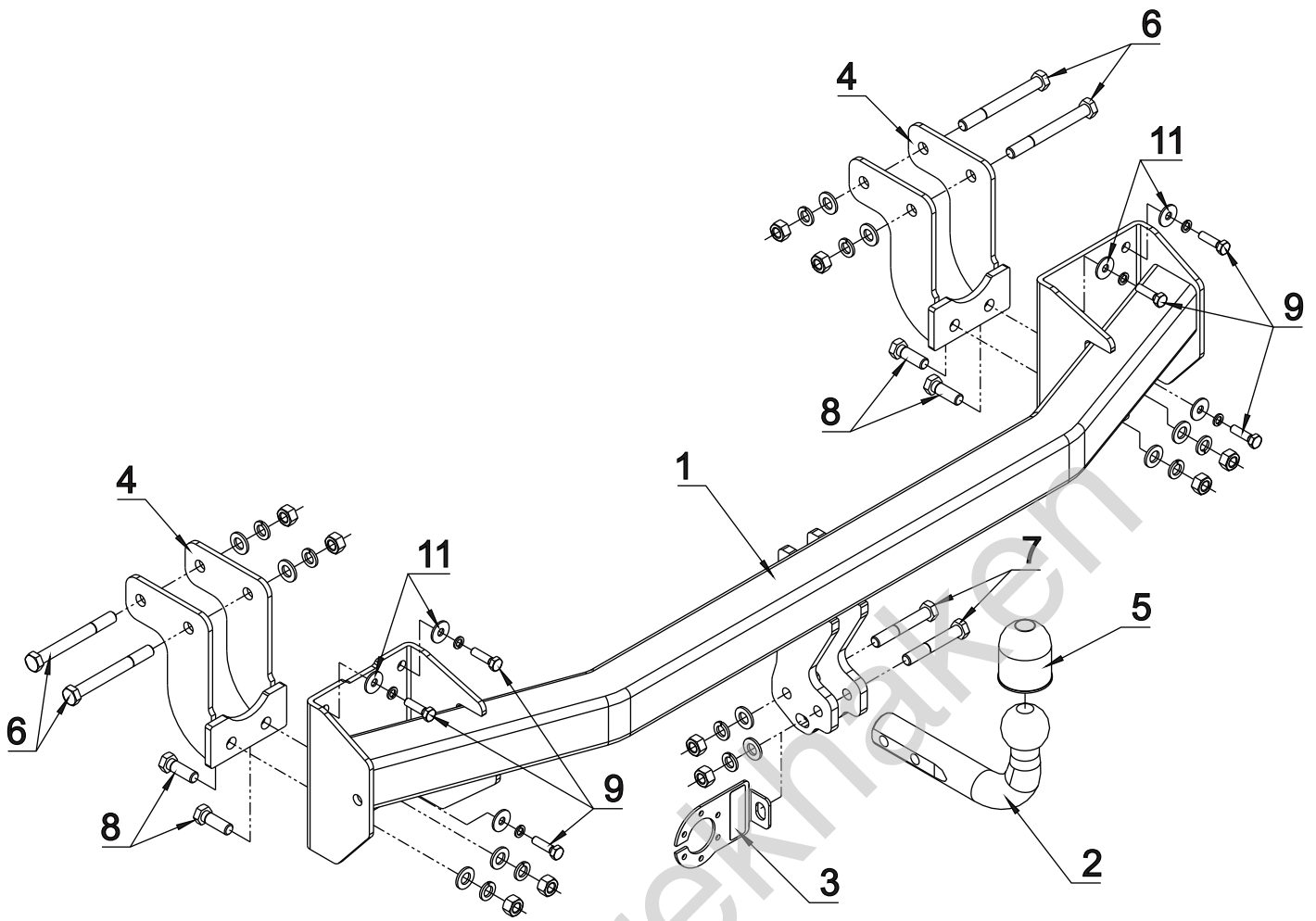
M8 - 25 Nm
M12 - 87 Nm
M16 - 210 Nm

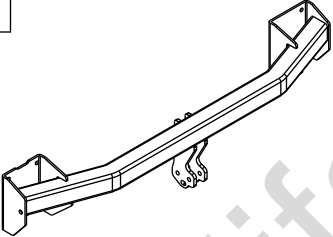


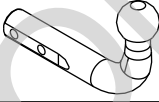
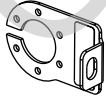
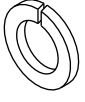
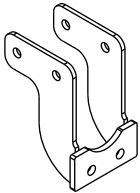
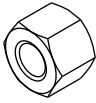



0 km →

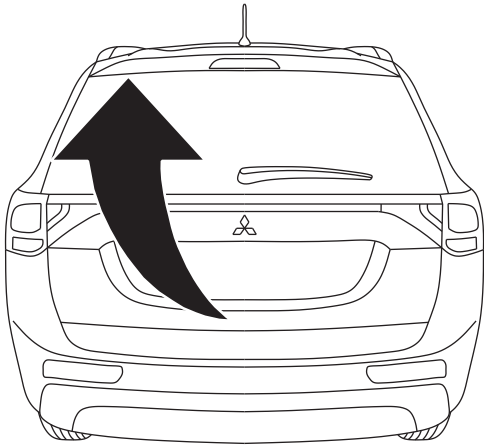


1000 km

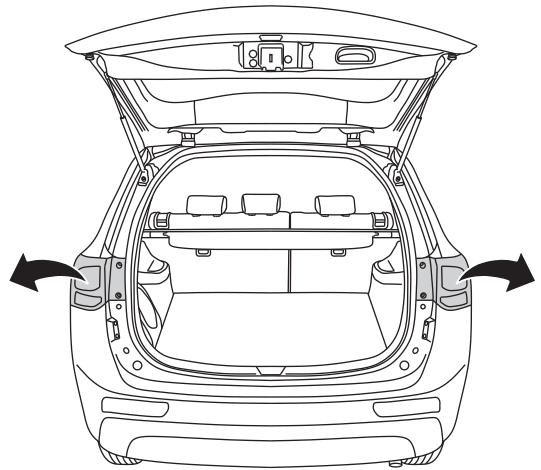


1		x1		6	M12x110	x4
				7	M12x75	x2
				8	M12x35	x4
				9	M8x30	x6
				10	∅ 13	x10
2		x1 Art.nr-KL1Z42		11	∅ 24x∅8.5x2 8 (DIN 9021)	x6
3		x1 Art.nr-BL1Z42		12	∅ 12.2	x10
				13	∅ 8.2	x6
4		x2		14	M12	x10
5		x1				

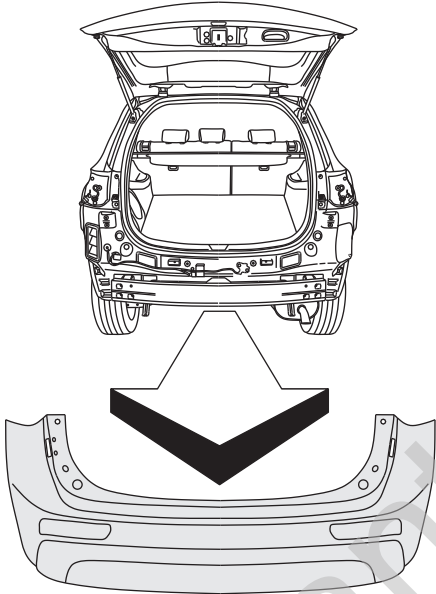
01



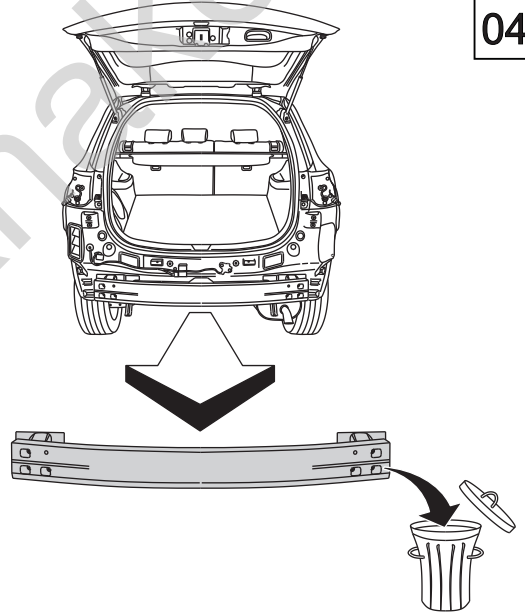
02



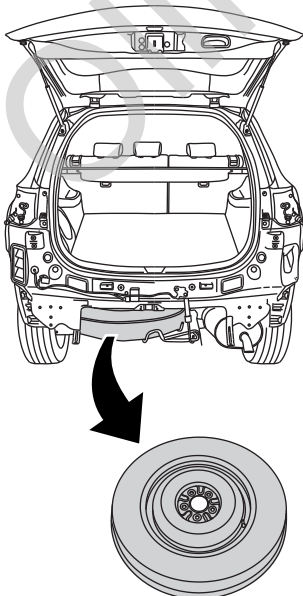
03



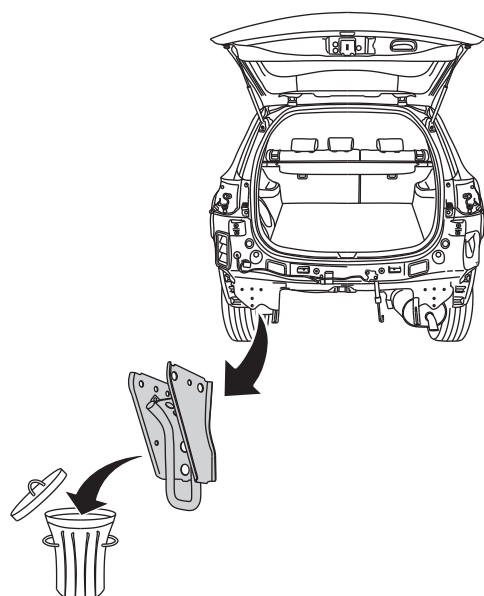
04



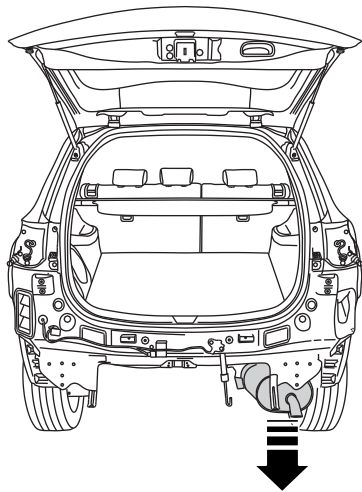
05



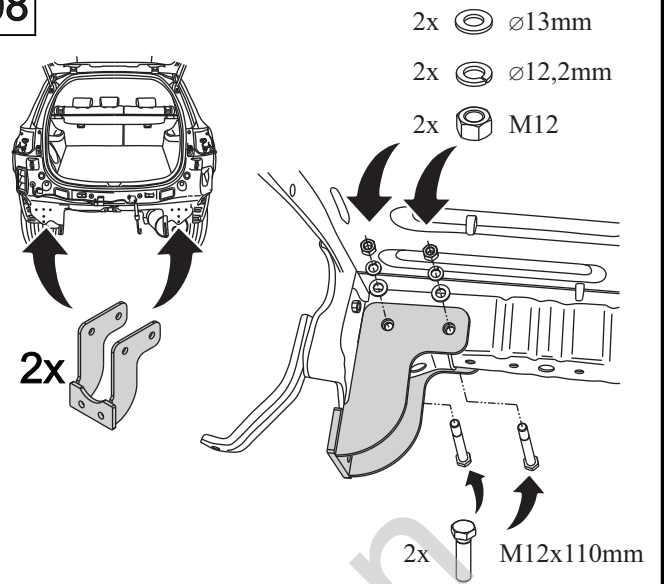
06



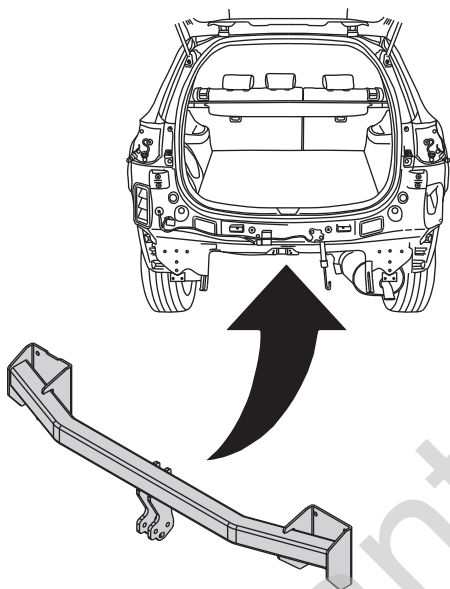
07



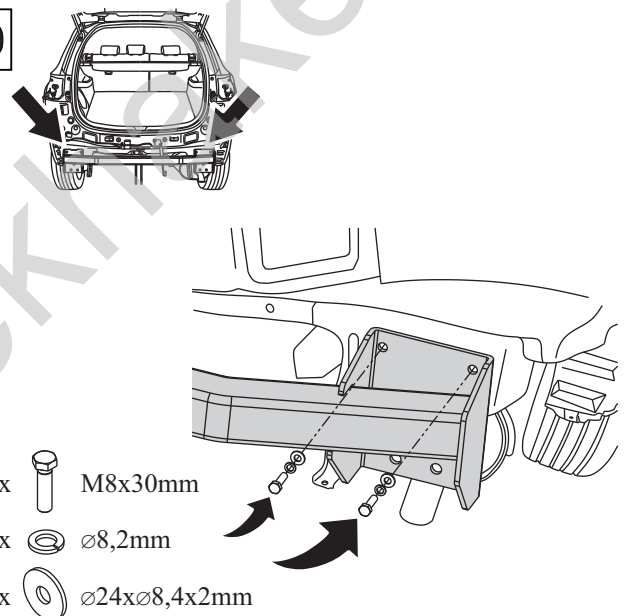
08



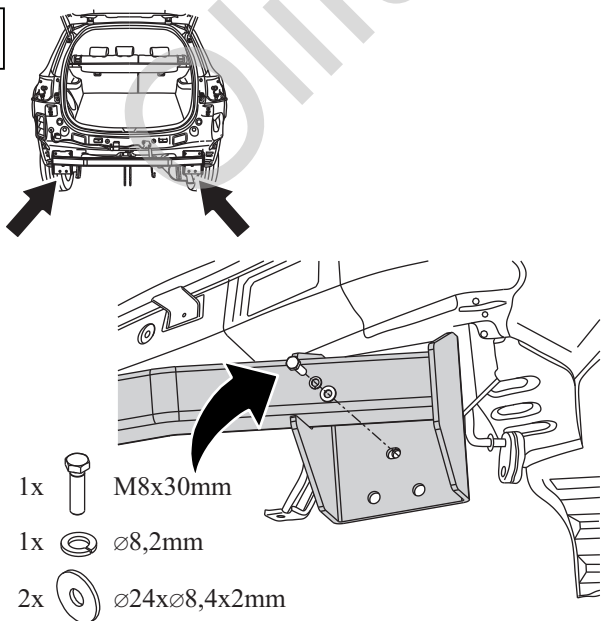
09



10



11



12

