

PPUH AUTO-HAK Sp.J.

Henryk & Zbigniew Nejman
ul. Słoneczna 16K 76-200 SŁUPSK
POLAND


tel/fax +48 059 8-414-414; 8-414-413

e-mail: office@autohak.com.pl


www.autohak.com.pl



AUTO-HAK

 **MITSUBISHI LANCER**

SPORT, 4D, ~~EVOLUTION~~
02.2008 → 2012


 2012 →


SPORTBACK, 5D
09.2008 → 2012
2012 →



Cat. no:
Z39A



e20 e20*94/20*0904*00



D 8,35 kN

 **R=1400 kg**

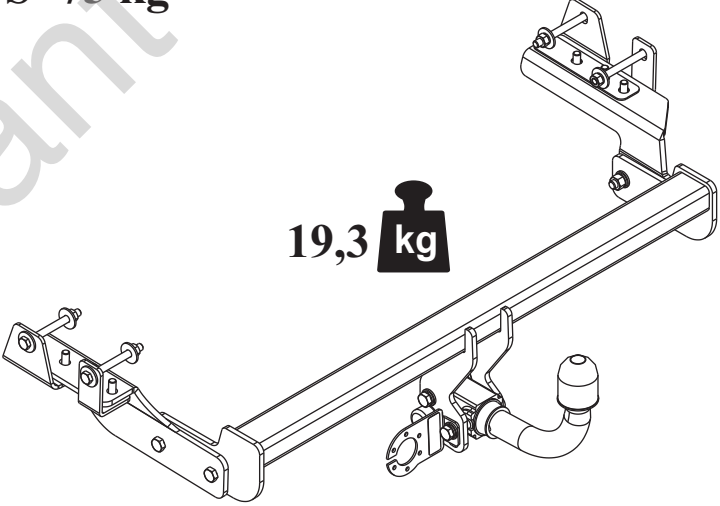
 **S=75 kg**


  **2h**



 

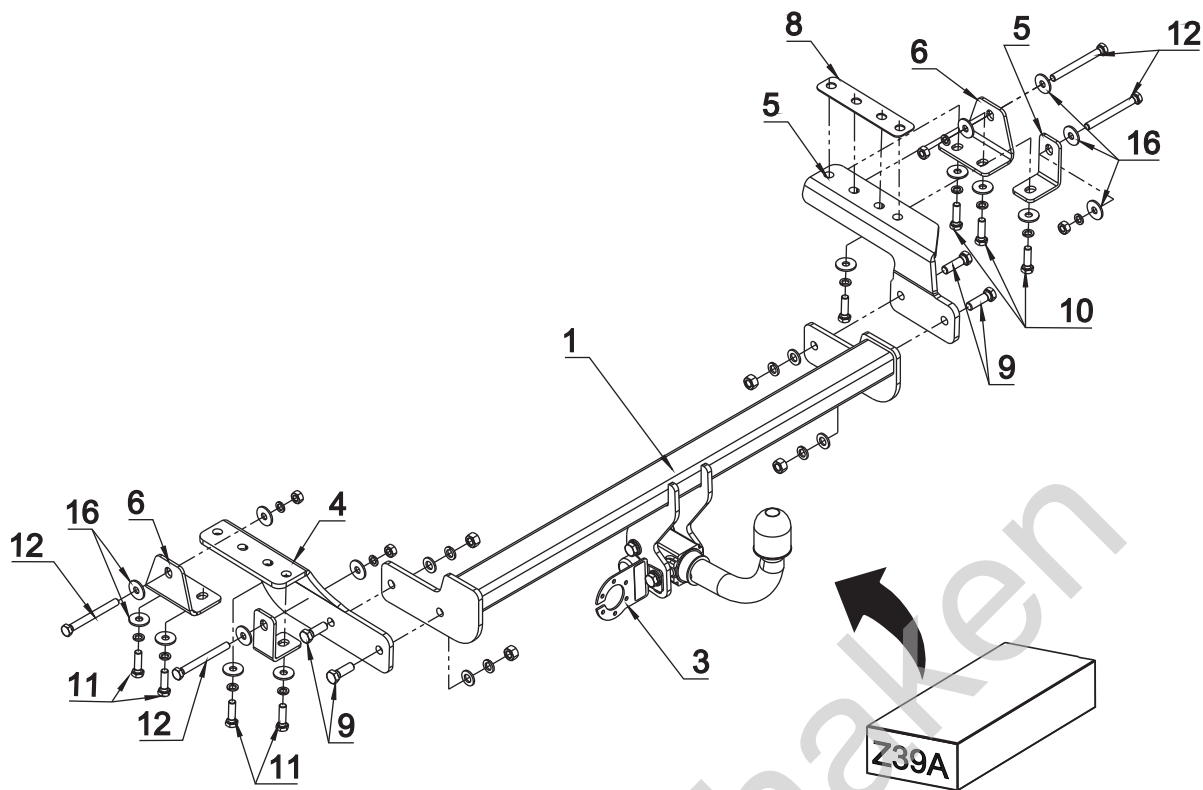
 

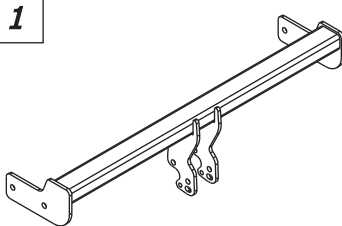

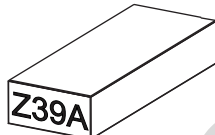





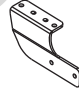
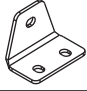

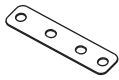
19,3 kg



	M6 - 11 Nm	M8 - 25 Nm
	M10 - 50 Nm	M12 - 87 Nm
	M14 - 138 Nm	M16 - 210 Nm

 **0 km** →  **1000 km**



1		x1		9 M12x35	x4
2		x1		10 M10x1.25x40	x4
				11 M10x1.25x35	x4
				12 M10x100	x4
				13 M12	x4
3		x1		14 M10	x4
				15 ϕ 13	x4
				16 ϕ 30x ϕ 10.5x2.5 10 – DIN 9021	x16
4		x1		17 ϕ 12.2	x4
				18 ϕ 10.2	x12
5		x1			
6		x2			
7		x2			
8		x1			

