

PPUH AUTO-HAK Sp.J.

Henryk & Zbigniew Nejman
ul. Słoneczna 16K 76-200 SŁUPSK
POLAND


tel/fax +48 059 8-414-414; 8-414-413

e-mail: office@autohak.com.pl


www.autohak.com.pl




AUTO-HAK


 **MITSUBISHI LANCER**



SPORT, 4D, ~~EVOLUTION~~
02.2008 → 2012



 **SPORTBACK, 5D**
09.2008 → 2012

Cat. no:
Z39

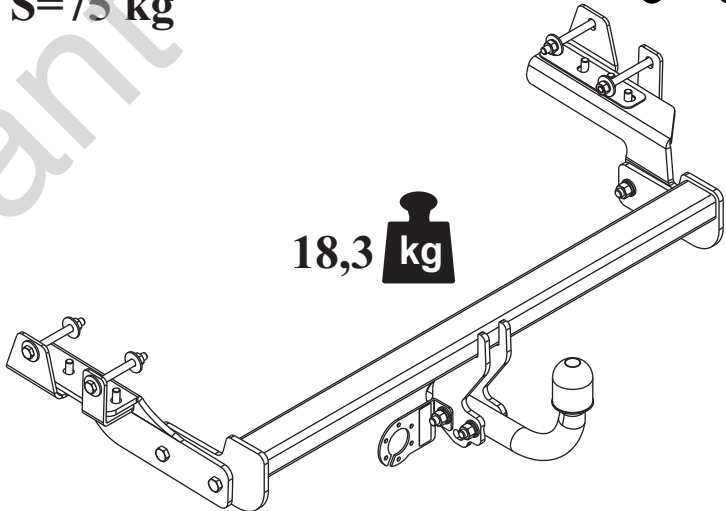
e20 e20*94/20*0903*00  **2h**


D 8,35 kN 

 **R=1400 kg** 



 **S=75 kg** 

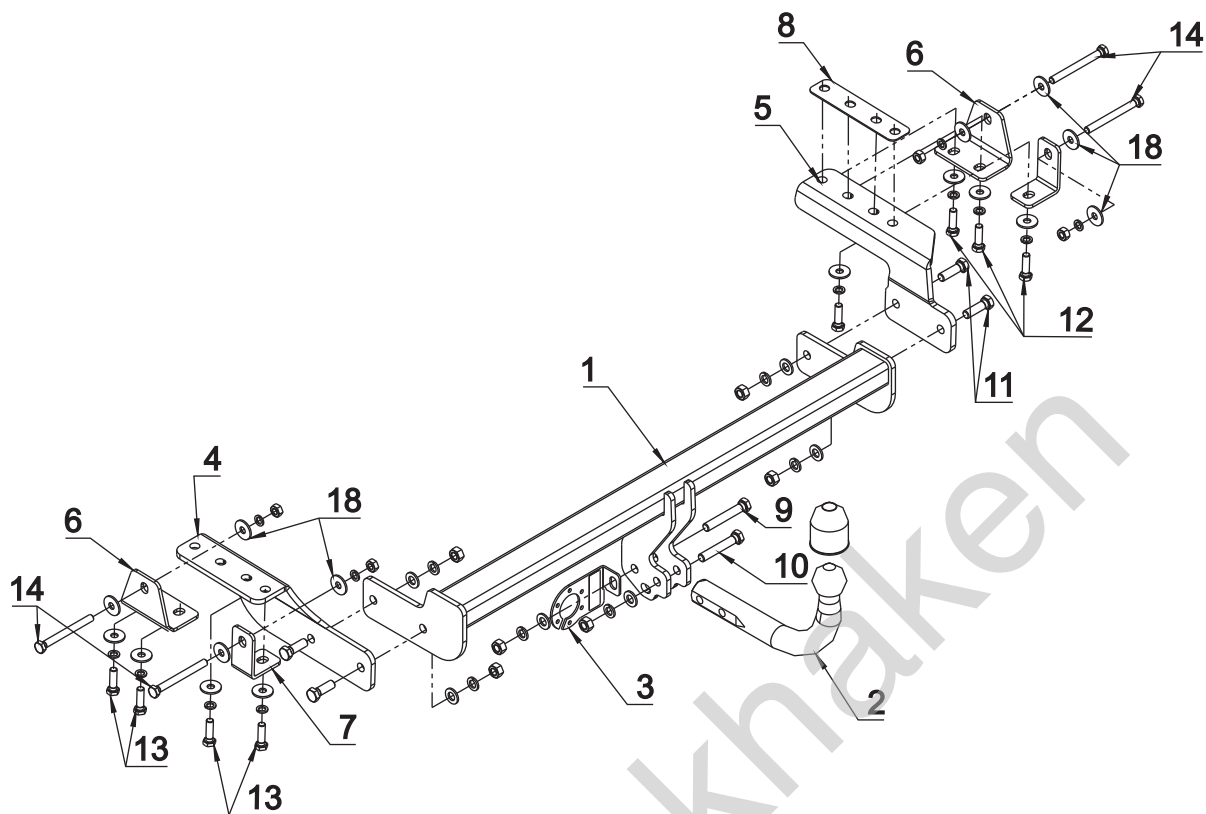
18,3 kg

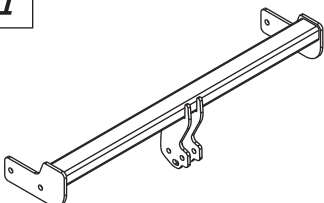

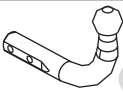
















M6 - 11 Nm	M8 - 25 Nm
M10 - 50 Nm	M12 - 87 Nm
M14 - 138 Nm	M16 - 210 Nm

 **0 km** →  **1000 km**



1		x1		9 M12x75	x1
				10 M12x70	x1
				11 M12x35	x4
				12 M10x1.25x40	x4
				13 M10x1.25x35	x4
2		x1 Art.nr-KL1Z39		14 M10x100	x4
3		x1 Art.nr-BL1Z39		15 M12	x6
4		x1		16 M10	x4
5		x1		17 ϕ 13	x6
				18 ϕ 30x ϕ 10.5x2.5 10 – DIN 9021	x16
6		x2		19 ϕ 12.2	x6
7		x2		20 ϕ 10.2	x12
8		x1			
					x1

