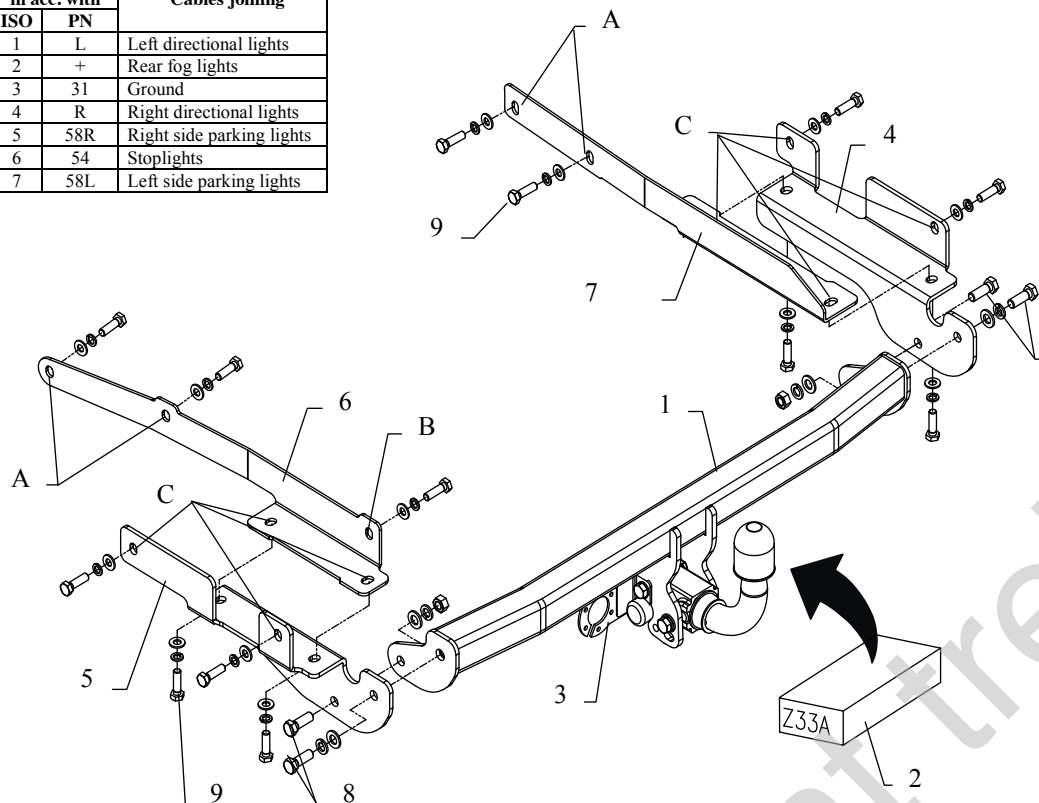


## FITTING INSTRUCTION

Clamp mark in acc. with		Cables joining
ISO	PN	
1	L	Left directional lights
2	+	Rear fog lights
3	31	Ground
4	R	Right directional lights
5	58R	Right side parking lights
6	54	Stoplights
7	58L	Left side parking lights



This towbar is designed to assembly in following cars:  
**MITSUBISHI COLT, only 5 doors**, produced since 05.2004 till 10.2008 and since 11.2008, catalogue no. **Z33A** and is prepared to tow trailers max total weight **1000 kg** and max vertical load **50 kg**.

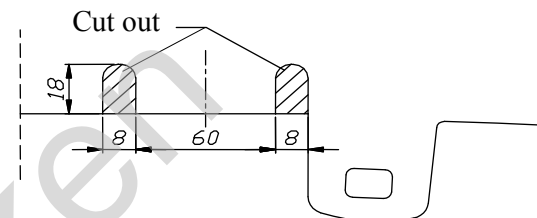
### From manufacturer

Thank you for buying our product. Their reliability has been confirmed in many tests. Reliability of towbar depends also on correct assembly and correct exploitation. For this reasons we kindly ask to read carefully this instruction and apply to hints.

*The towbar should be install in points described by a car producer.*

## Assemble instruction

1. To install our towbar do not remove a rear bumper.
2. Underneath the car detach the fastening.
3. In bottom part of the bumper cut out fragments according to figure, see below.



4. Fix elements pos. 6 and 7 to chassis members in original prepared points using bolts M10x35mm (pos. 10) through holes A and B (loosely).
5. Fix elements pos. 4 and 5 through holes C using bolts M10x35mm (pos. 9).
6. Slip man bar of the towbar between elements 4 and 5 and fix it using bolts M12x35m (pos. 8)
7. Fix body of the automat and place tow-ball according to supplied instruction. Note! Remember to place socket plate (pos. 3) as shown on the drawing 1.
8. Tighten all bolts according to the torque shown in the table.
9. Connect electric wires of 7-poles socket according to the instruction of the car. (Recommend to make at authorized service station)
10. Complete paint layer damaged during installation.

Torque settings for nuts and bolts (8,8):

<b>M 8</b>	25 Nm	<b>M 10</b>	55 Nm
<b>M 12</b>	85 Nm	<b>M 14</b>	135 Nm

### NOTE

After install the towbar you should get adequate note in registration book (at authorised service station).The car should be equipped with:

- Indicators
- Tow mirrors

After 1000km check all bolts and nuts. The ball of towbar must be always kept clear and conserve with a grease.

Towbar accessories:

Pos. 1 Name: Main bar Quantity: 1	Pos. 5 Name: Left bracket Quantity: 1	Pos. 8 Name: Bolt 8,8 B Quantity: 4 Dim.: M12x35mm
Pos. 2 Name: Tow ball Quantity: 1	Pos. 6 Name: Left bracket Quantity: 1	Pos. 9 Name: Bolt 8,8 B Quantity: 13 Dim.: M10x35mm
Pos. 3 Name: Socket plate Quantity: 1	Pos. 10 Name: Nut 8 B Quantity: 2 Dim.: M12	Pos. 11 Name: Plain washer Quantity: 4 Dim.: Ø 13 mm
Pos. 4 Name: Right bracket Quantity: 1	Pos. 7 Name: Right bracket Quantity: 1	Pos. 12 Name: Plain washer Quantity: 13 Dim.: Ø 10,5 mm
		Pos. 13 Name: Spring washer Quantity: 4 Dim.: Ø 12,2 mm
		Pos. 14 Name: Spring washer Quantity: 13 Dim.: Ø 10,2 mm



**PPUH AUTO-HAK S.J.**

Produkcja Haków Holowniczych  
Henryk i Zbigniew Nejman  
76-200 SŁUPSK ul. Słoneczna 16K  
tel/fax (059) 8-414-414; 8-414-413  
E-mail: office@autohak.com.pl  
www. autohak.com.pl

**Towing hitch (without electrical set)**

Class: **A50-X** Cat. no. **Z33A**

Designed for:

Manufacturer: **mitsubishi**

Model: **COLT**

Type: **only 5 doors**

produced since 05.2004 till 10.2008 and since 11.2008

Technical data:

**D-value: 6,04 kg**

maximum trailer weight: **1000 kg**

maximum vertical cup load: **50 kg**

**Approval number acc. to regulations EKG/ONZ 55.01: E20-55R-01 1777**

**Foreword**

This towbar is designed according to rules of safety traffic regulations. The towing hitch is a safety component and can be install only by qualified personnel. Any alteration or conversion of the towing hitch is prohibited and would lead to cancellation of design certification. Remove insulating compound and underseal from vehicle (if present) in the area of the matting surfaces of the towing hitch. The vehicle manufacturer's specifications regarding trailer load and max. vertical cup load are decisive for driving, and values for the towing hitch cannot be exceeded.

*D-value formula:*

$$\frac{\text{Max trailer weight [kg]} \times \text{Max vehicle weight [kg]}}{\text{Max trailer weight [kg]} + \text{Max vehicle weight [kg]}} \times \frac{9,81}{1000} = D \text{ [kN]}$$