

AUTO-HAK Sp. z o.o.

ul. Słoneczna 16K 76-200 SŁUPSK
POLAND

tel/fax +48 59 8 414 414; +48 59 8 414 413

e-mail: office@autohak.com.pl

www.autohak.com.pl




AUTO-HAK

HONDA CR-V (VI) + Hybrid


Nr kat.


Y47A

 09.2023 →

 E20*55R02*6874

D 10,40 kN

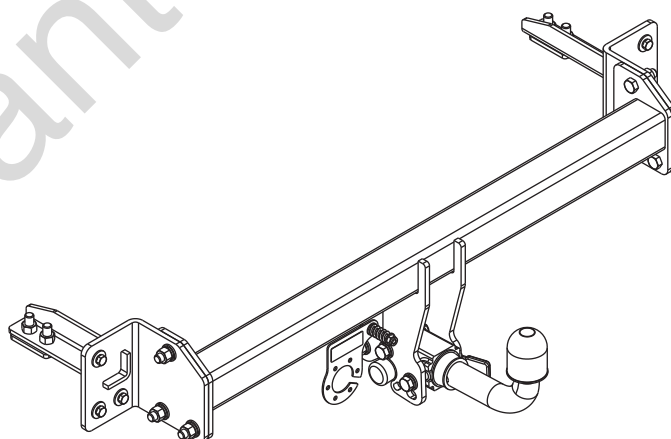
 R=1500 kg

 S=100 kg

 2h

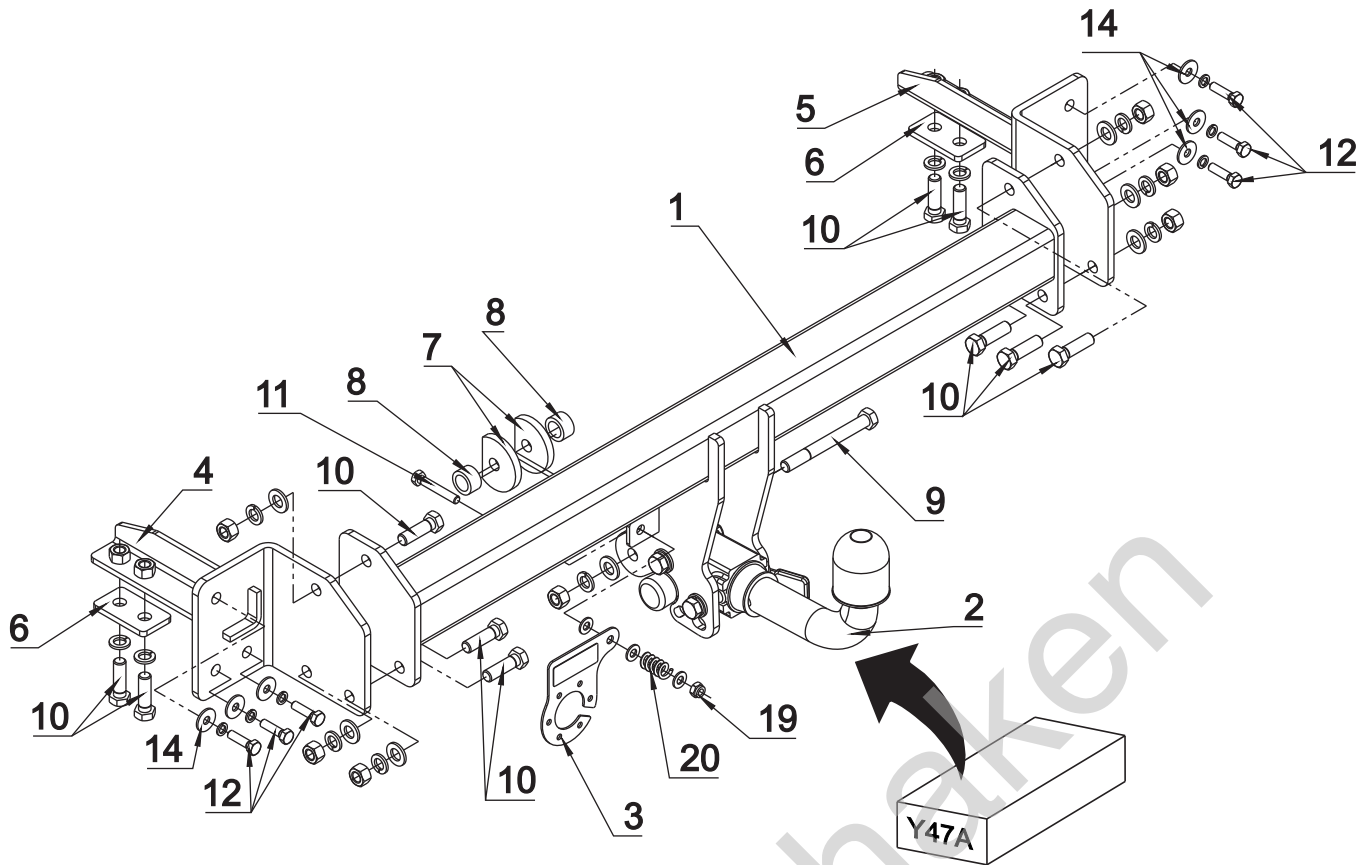


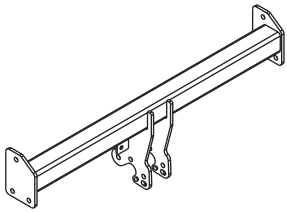


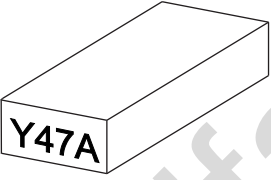


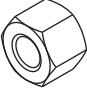
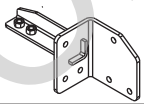
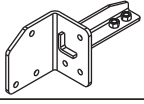

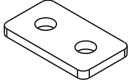
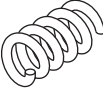




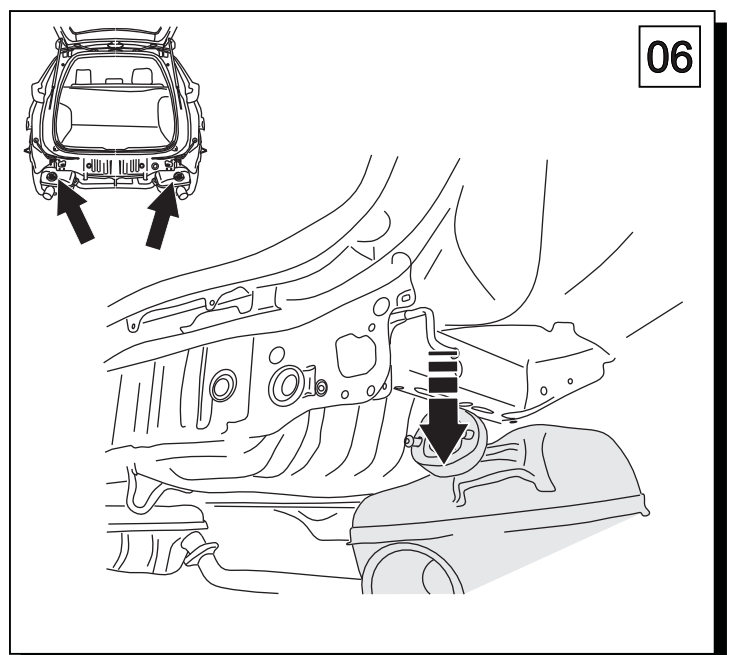
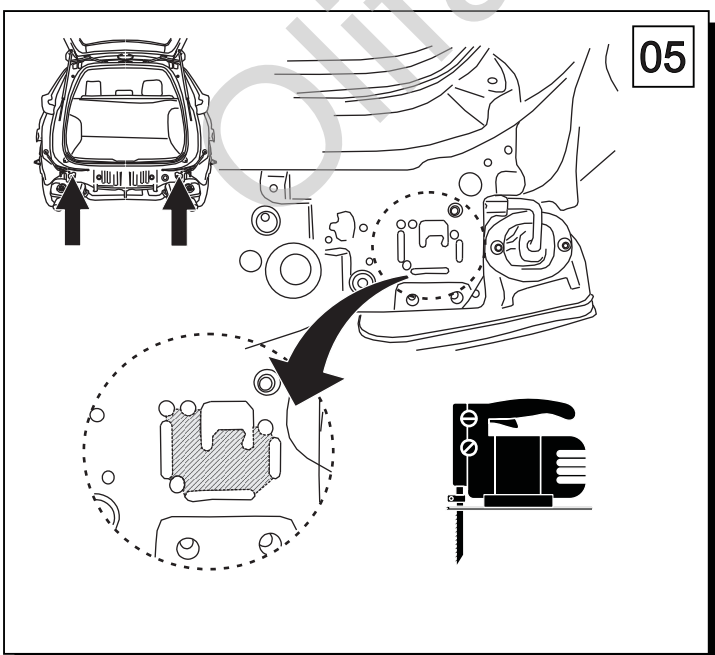
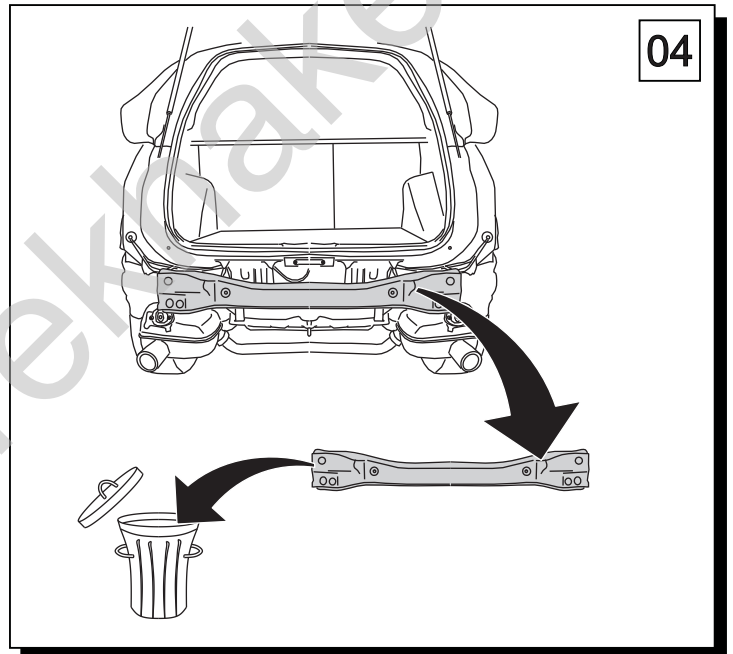
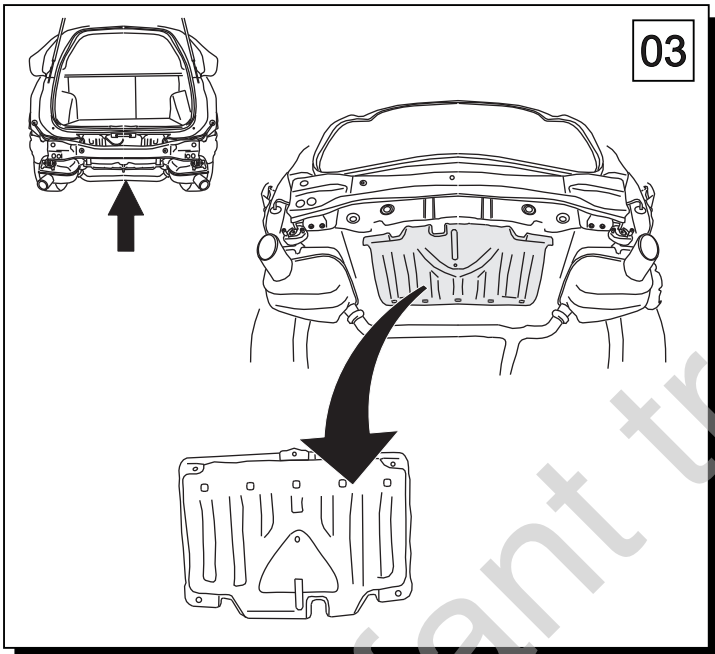
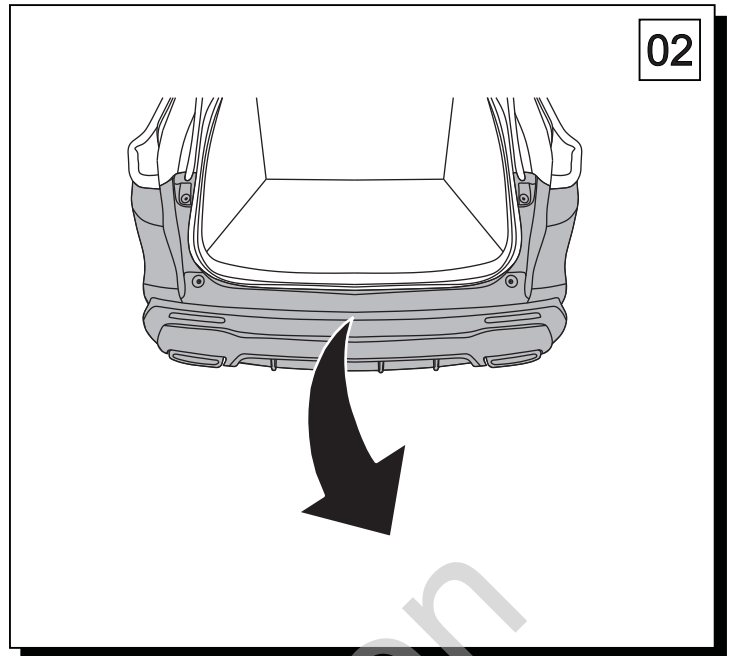
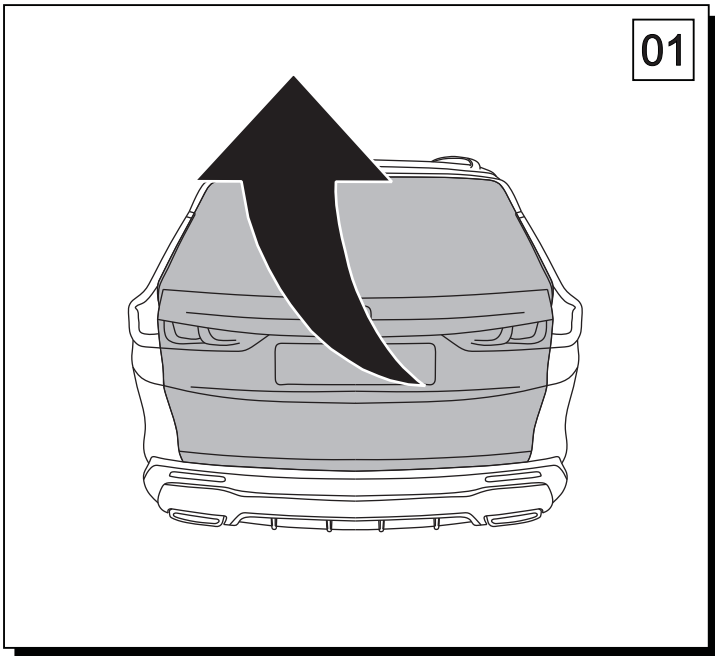


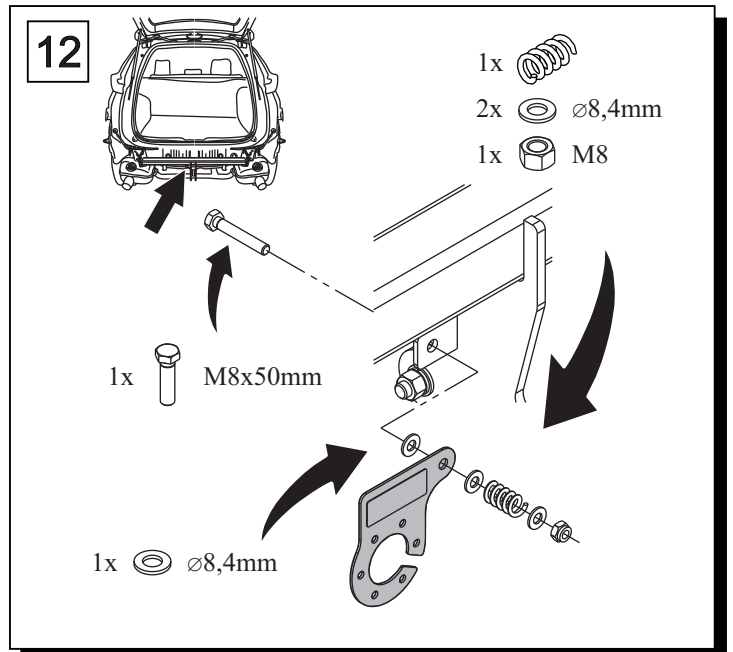
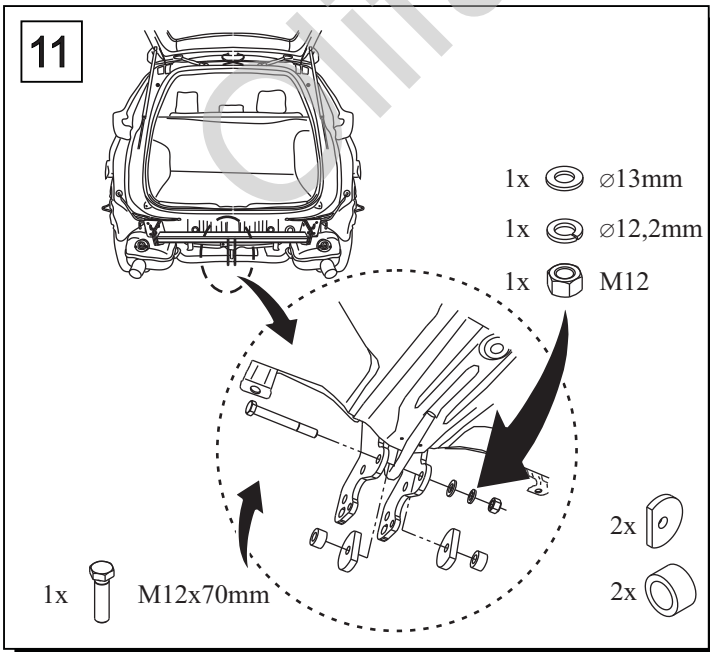
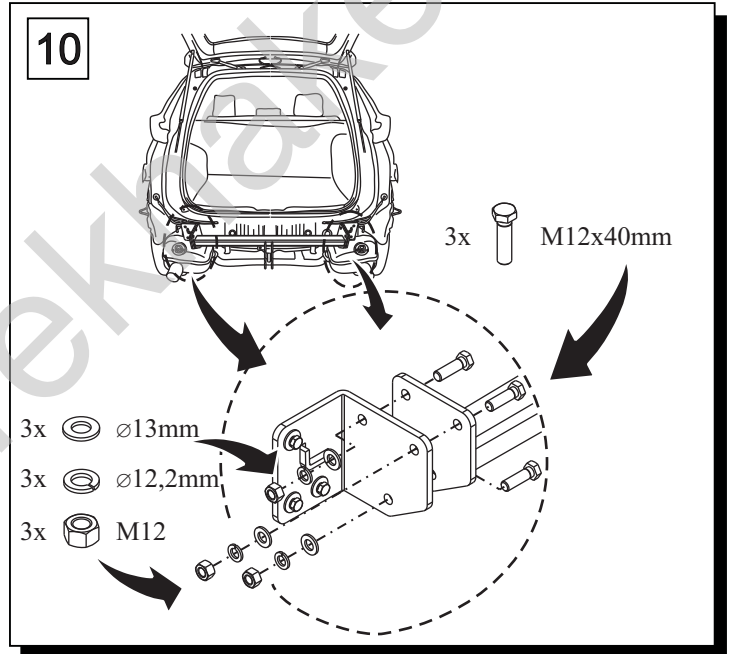
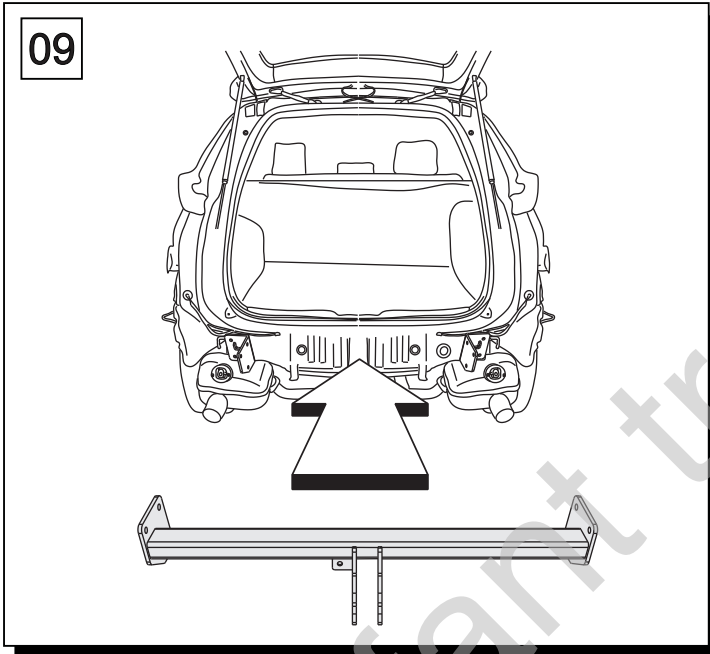
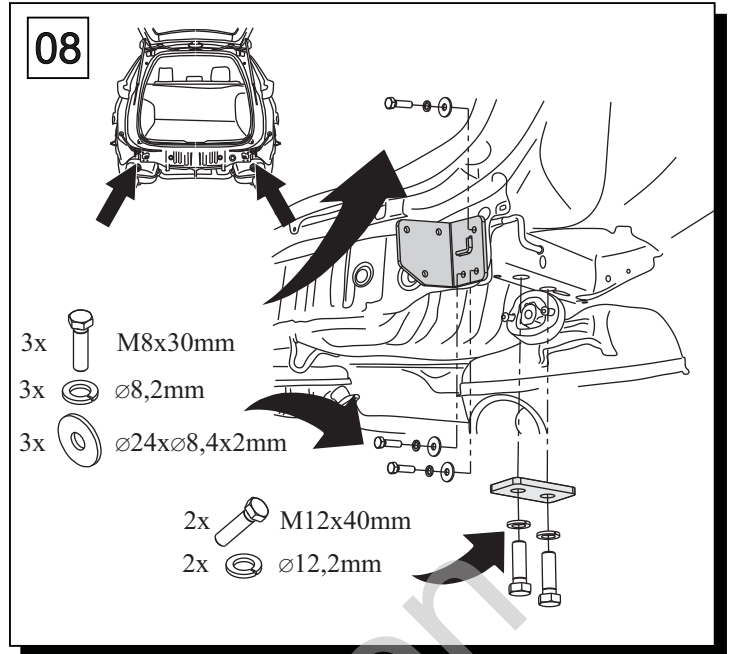
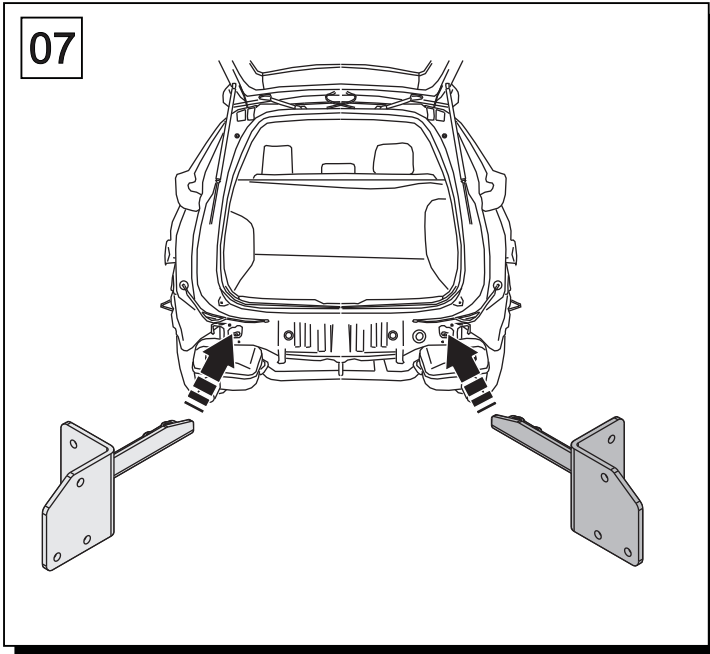
śruba Nm	M6	M8	M10	M12	M14	M16
klasa 8.8	9,9	24	48	83	132	200
klasa 10.9	14	34	67	117	185	285

 0 km →  1000 km

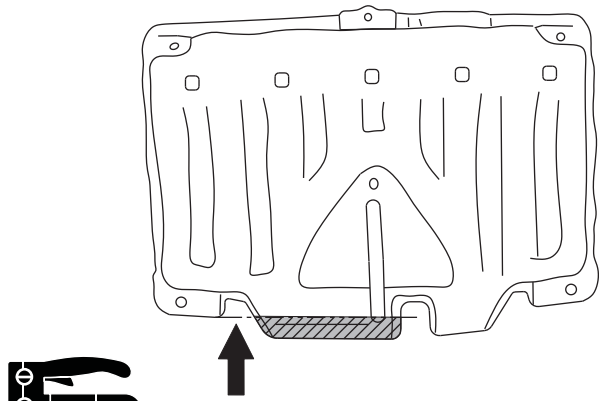


1		x1		9 M12x110	x1
				10 M12x40	x10
				11 M8x50	x1
				12 M8x30	x6
				13 \varnothing 13	x7
2	 Art.nr-KL1Y47A	x1		14 \varnothing 24x \varnothing 8.4x2 8 (DIN 9021)	x6
				15 \varnothing 8.4	x3
				16 \varnothing 12.2	x11
3	 Art.nr-BL1Y47A	x1		17 \varnothing 8.2	x6
				18 M12	x7
4		x1		19 M8 (DIN985)	x1
5		x1			
			20		x1
6		x2			
7		x2			
8		x2			

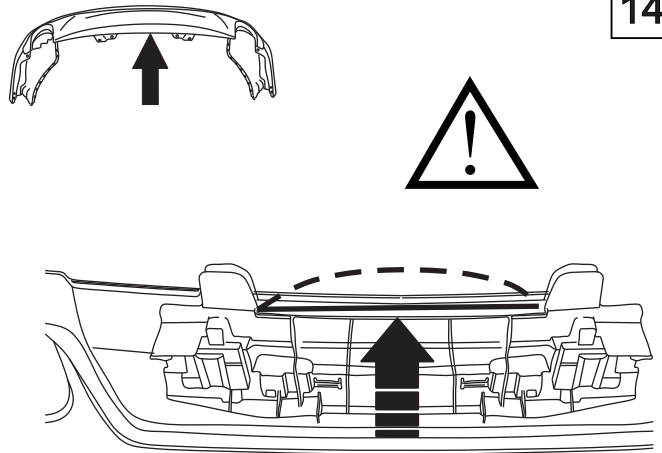




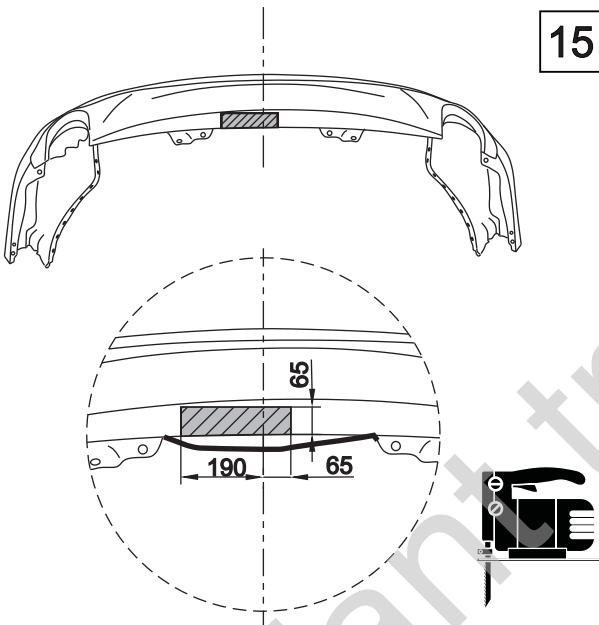
13



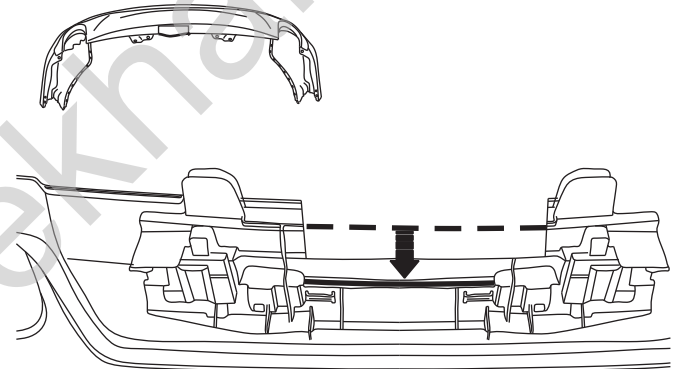
14



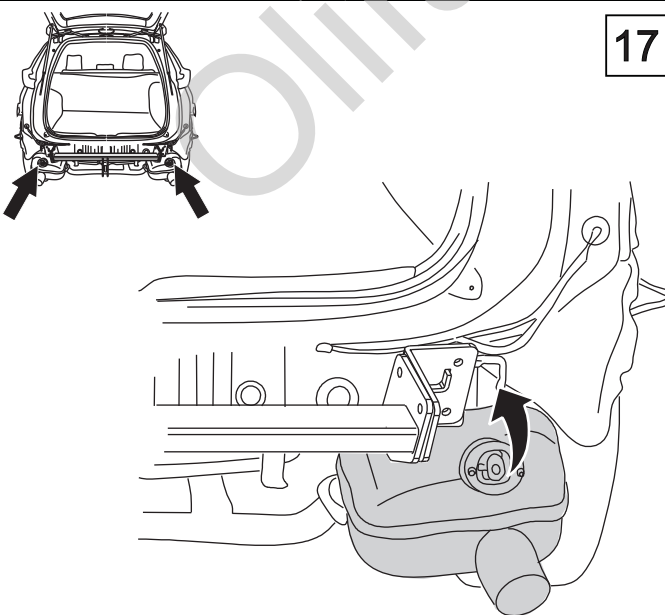
15



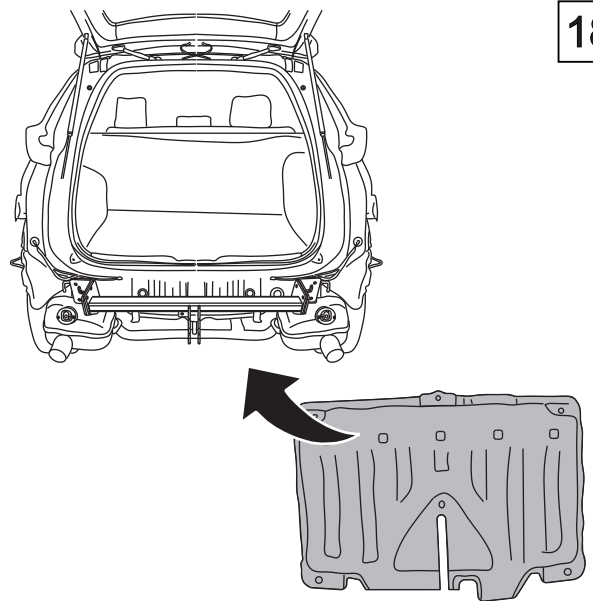
16



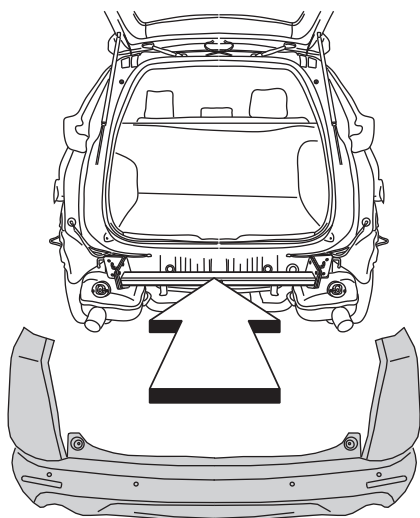
17



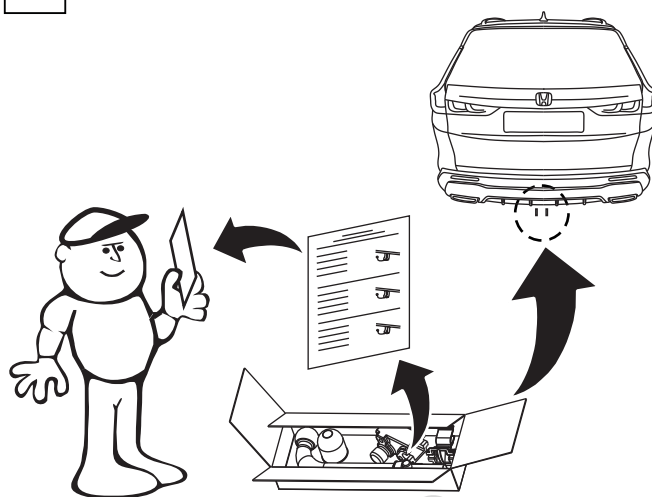
18



19



20



Olifant trekhaken

