

AUTO-HAK Sp. z o.o.

ul. Słoneczna 16K 76-200 SŁUPSK
POLAND

tel/fax +48 59 8 414 414; +48 59 8 414 413

e-mail: office@autohak.com.pl

www.autohak.com.pl



AUTO-HAK

HONDA CR-V (VI) + Hybrid

Nr kat.

Y47



09.2023 →



E20*55R02*6875



10,40 kN



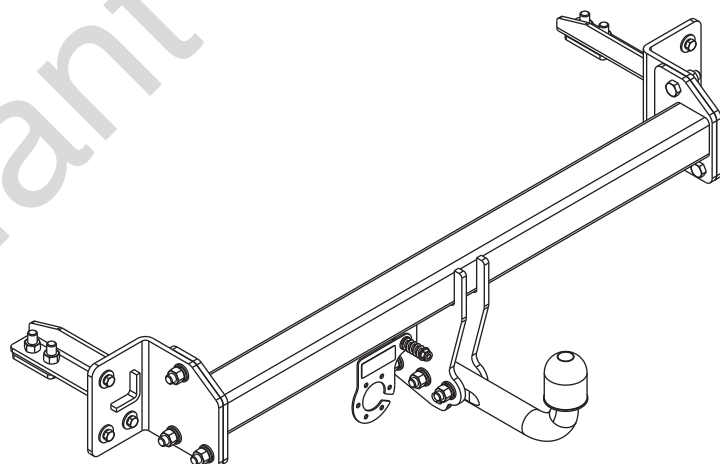
R=1500 kg



S=100 kg



2h



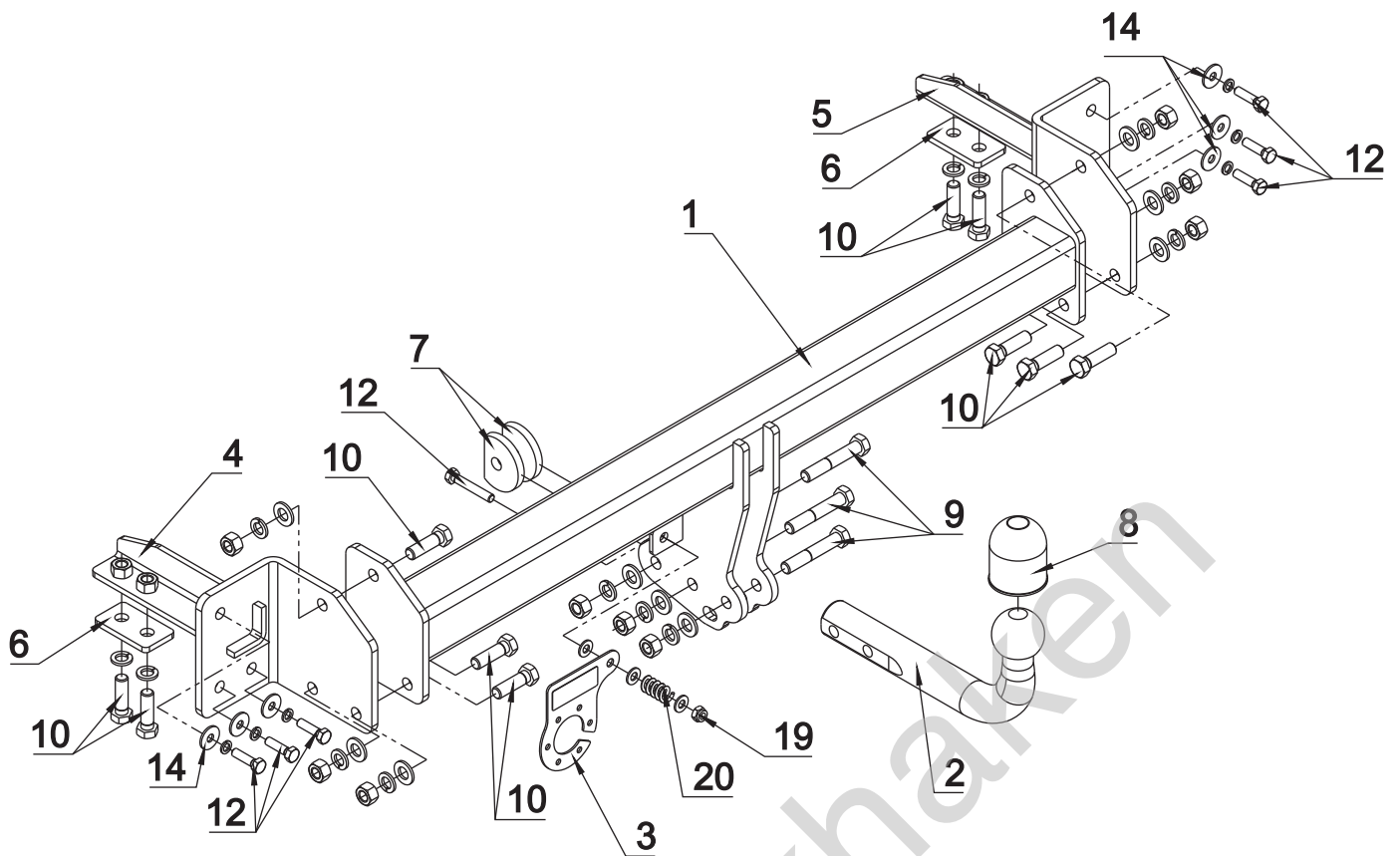
śruba	Nm	M6	M8	M10	M12	M14	M16
klasa 8.8		9,9	24	48	83	132	200
klasa 10.9		14	34	67	117	185	285

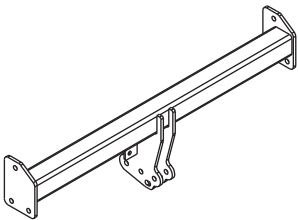





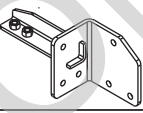
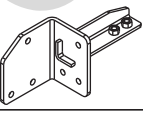

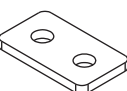


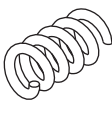



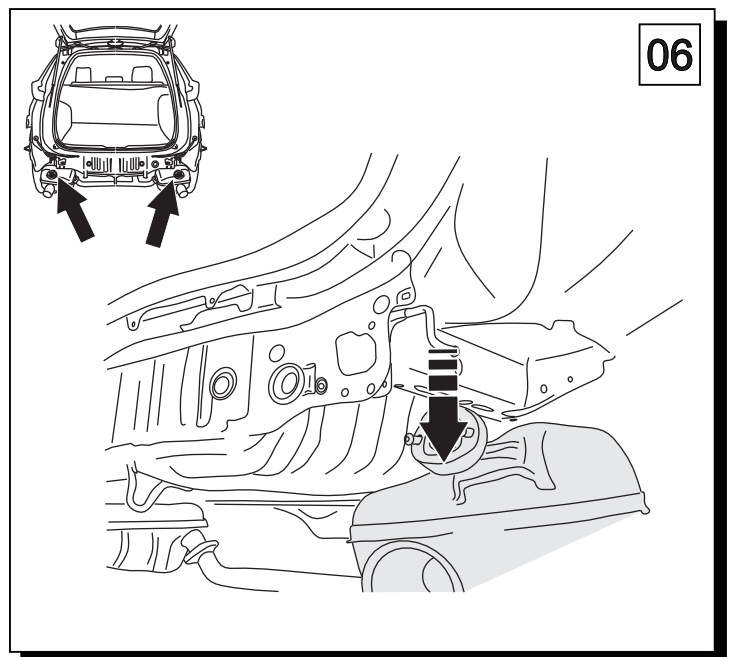
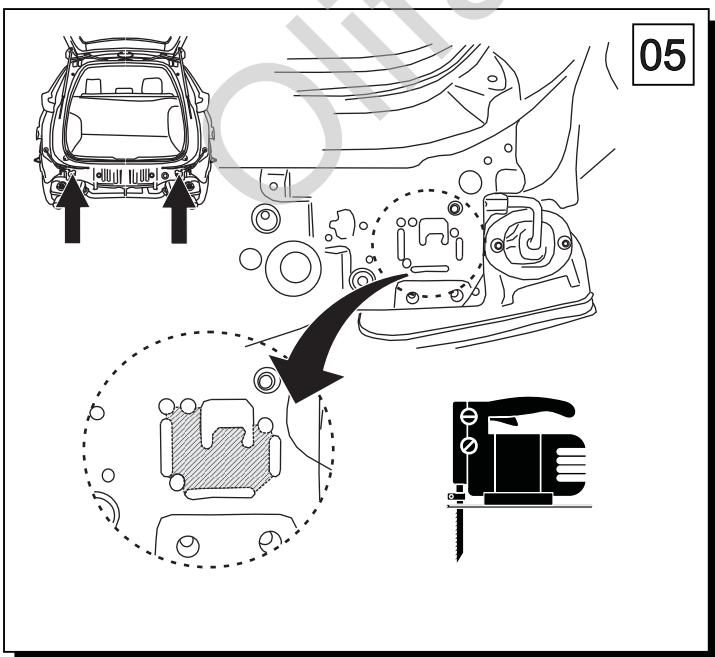
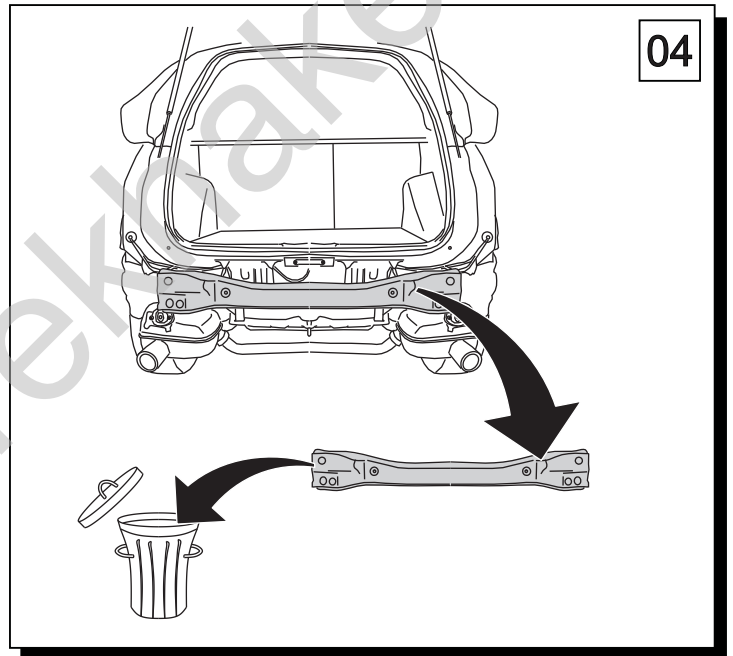
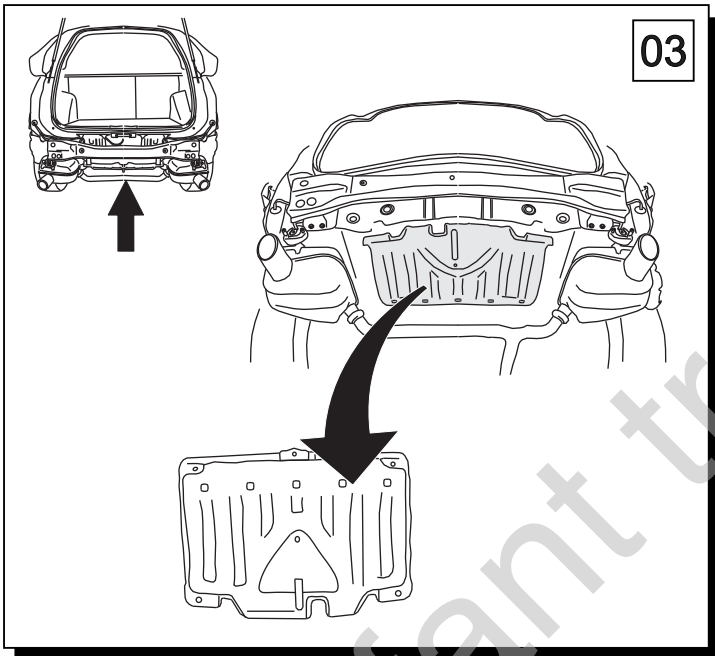
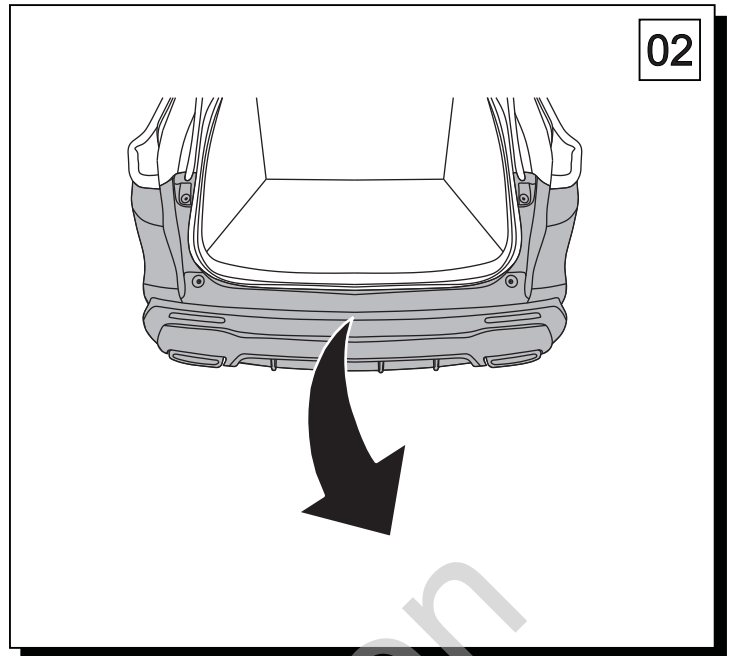
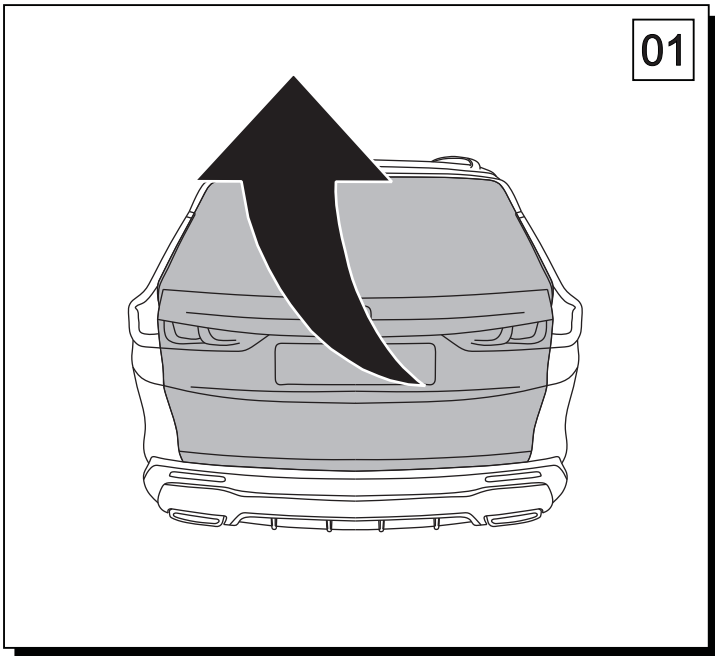
0 km

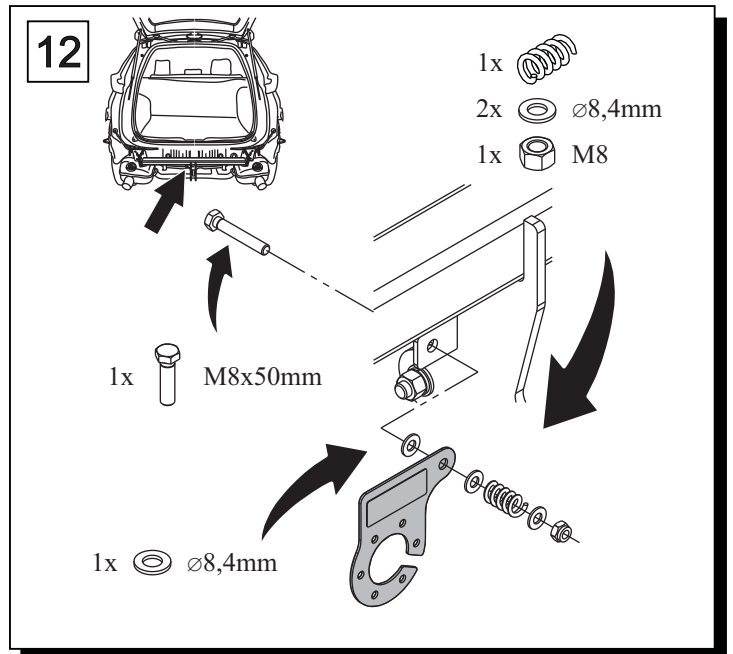
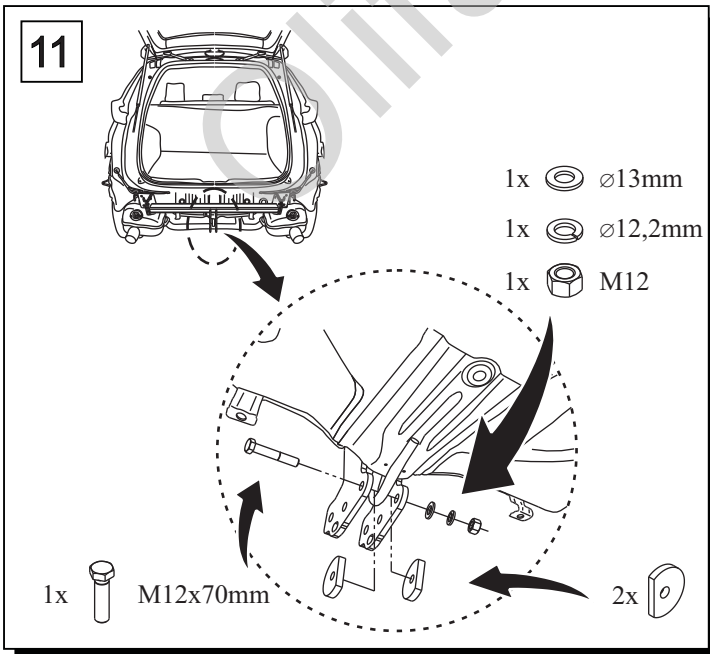
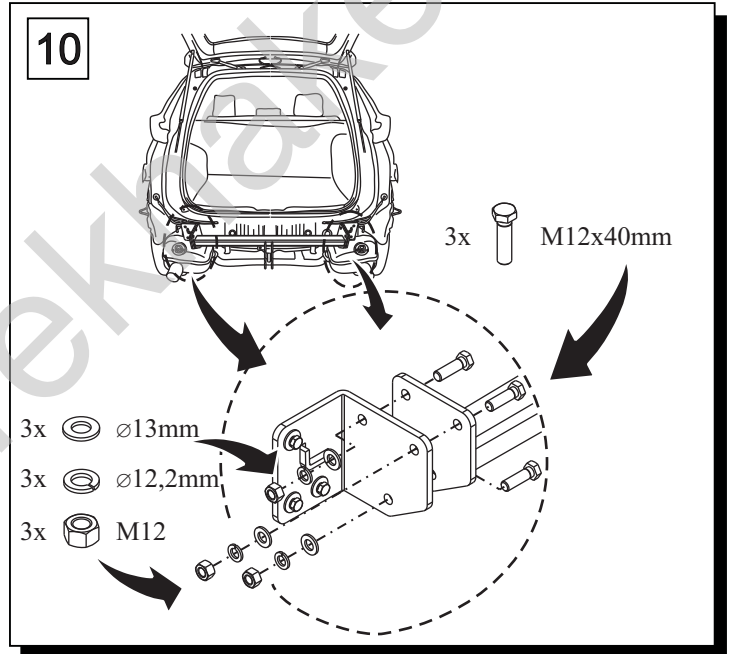
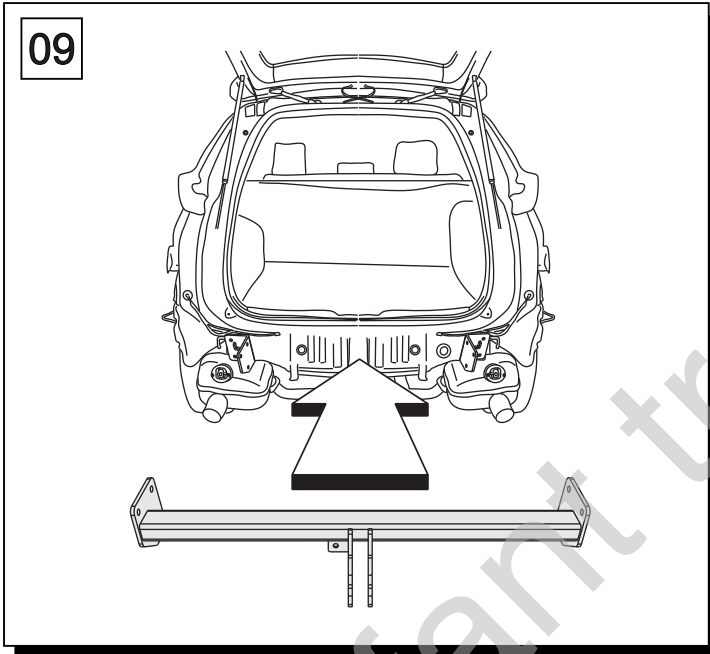
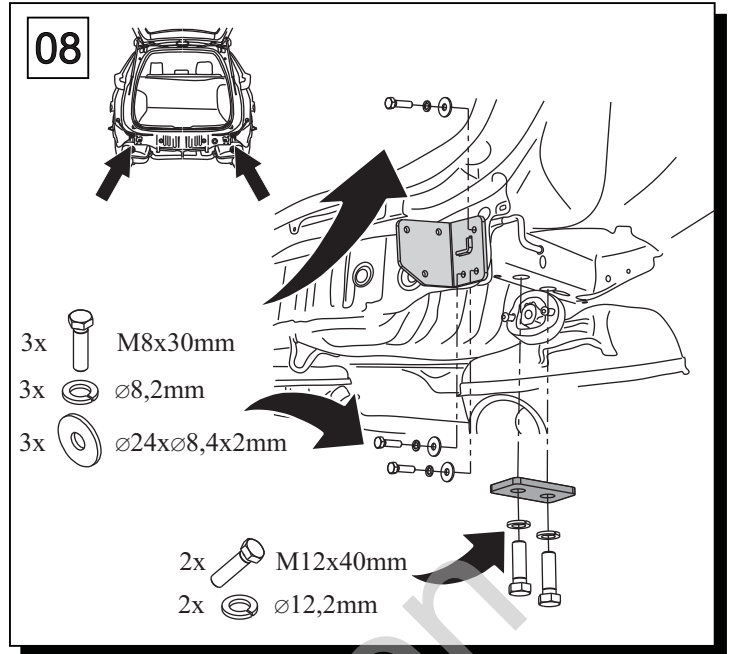
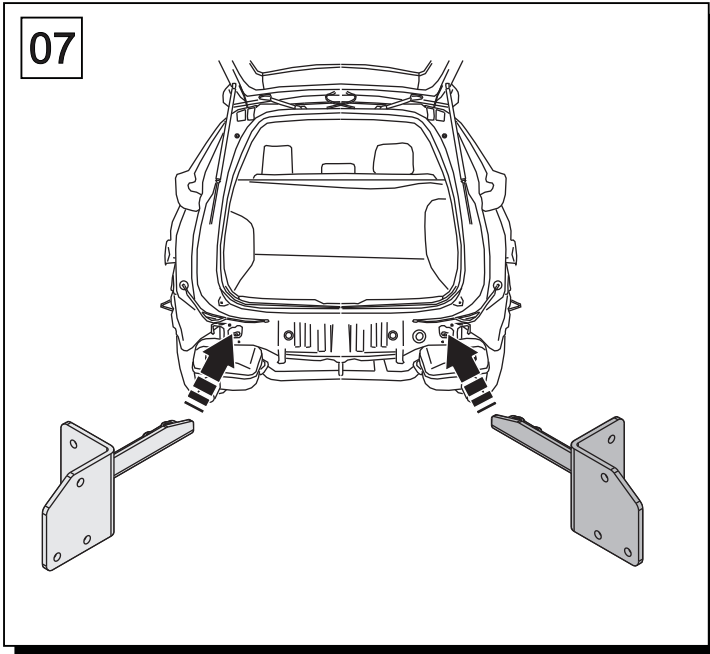


1000 km

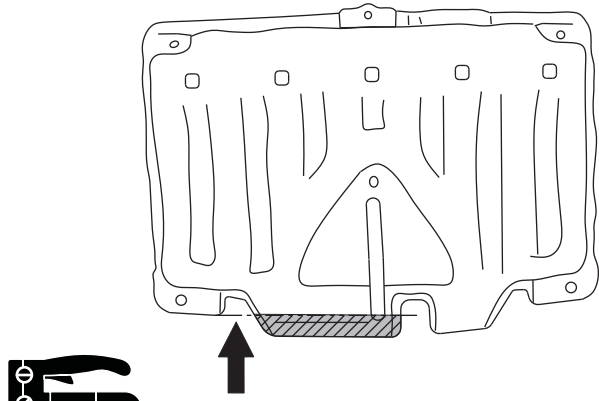


1		x 1		9	M 12x70	x 3
				10	M 12x40	x 10
				11	M 8x50	x 1
				12	M 8x30	x 6
				13	∅ 13	x 9
2		x 1		14	∅ 24x∅8.4x2 8 (DIN 9021)	x 6
	Art.nr-KL1Y47			15	∅ 8.4	x 3
3		x 1		16	∅ 12.2	x 13
	Art.nr-BL1Y47			17	∅ 8.2	x 6
4		x 1		18	M 12	x 9
5		x 1				
6		x 2		19	M 8 (DIN985)	x 1
						
7		x 2	20			x 1
8		x 1				

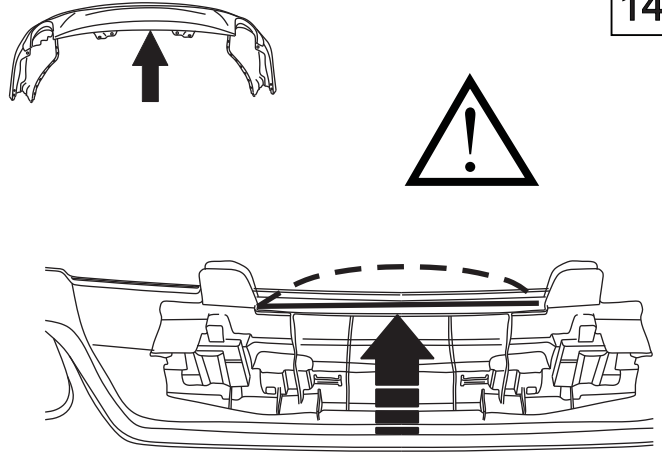




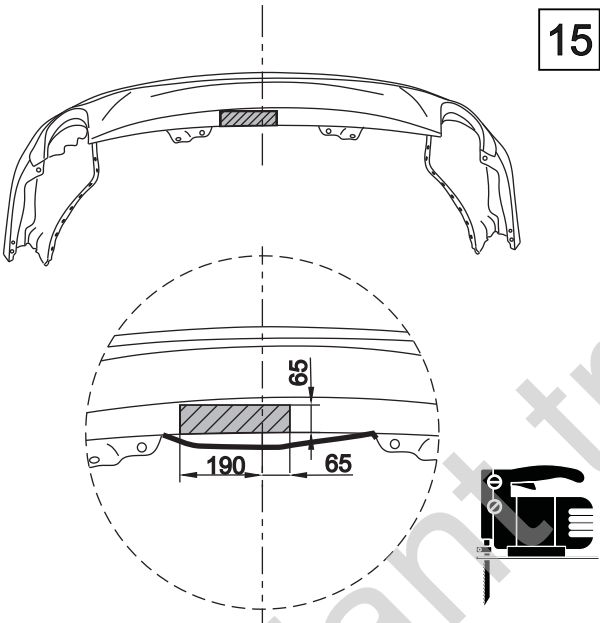
13



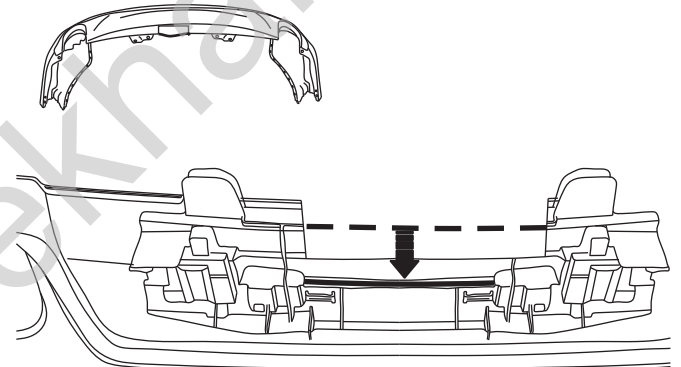
14



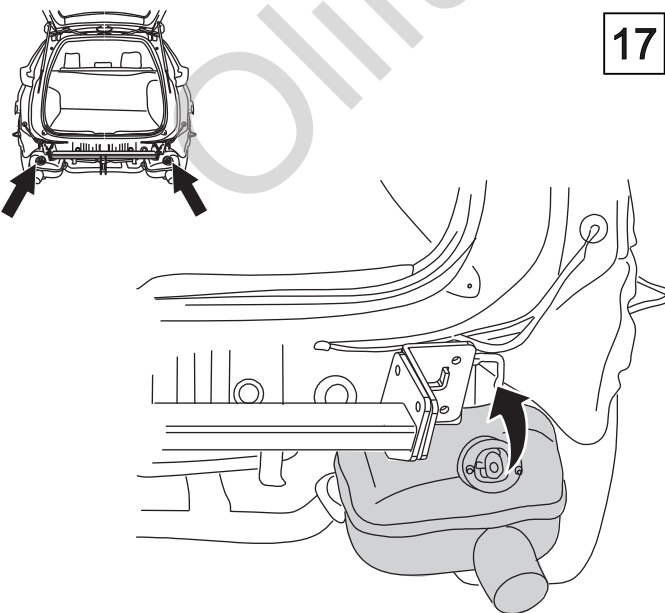
15



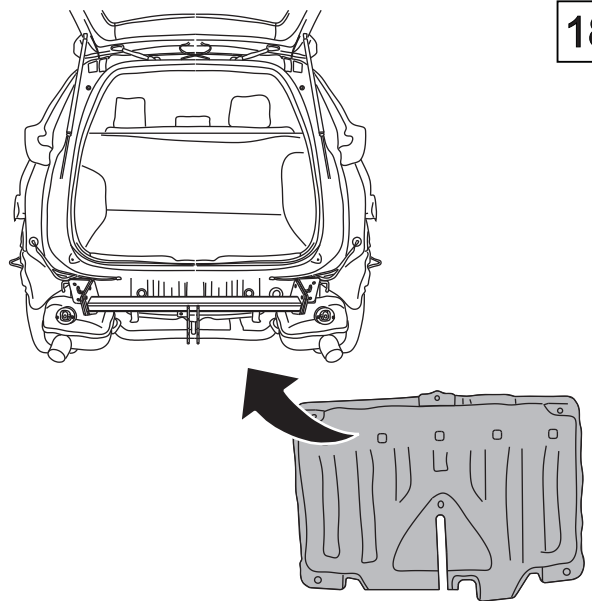
16



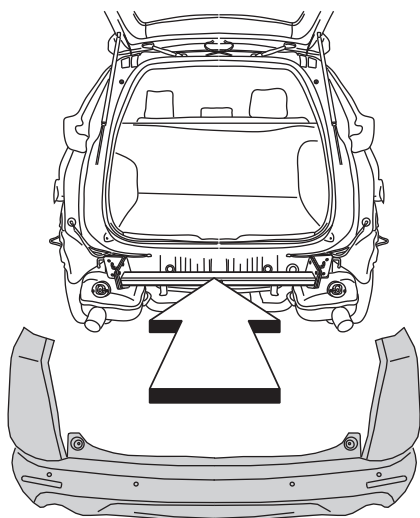
17



18



19



20

