

# AUTO-HAK Sp. z o.o.

ul. Słoneczna 16K 76-200 SŁUPSK  
POLAND

tel/fax +48 59 8 414 414; +48 59 8 414 413

e-mail: [office@autohak.com.pl](mailto:office@autohak.com.pl)

[www.autohak.com.pl](http://www.autohak.com.pl)



# AUTO-HAK

## HONDA CR-V (V) (+HYBRID)

Nr kat.

Y46A



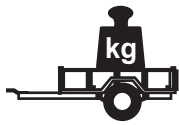
10.2018 → 08.2023



E20-55R-01 5742



10,39 kN



R=2000 kg



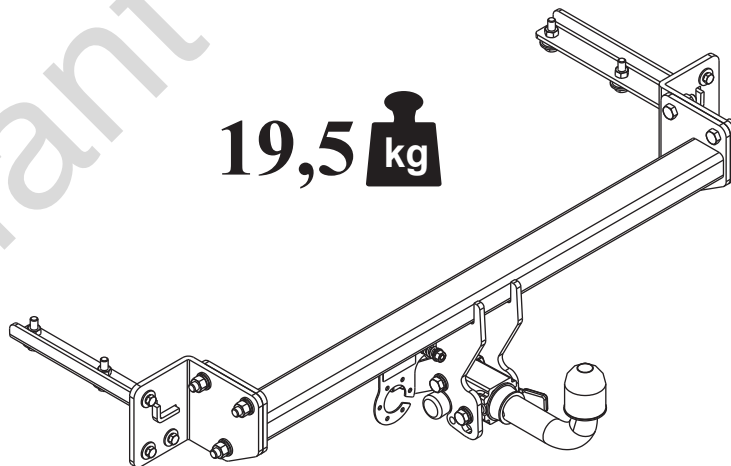
S=100 kg



2h



19,5 kg



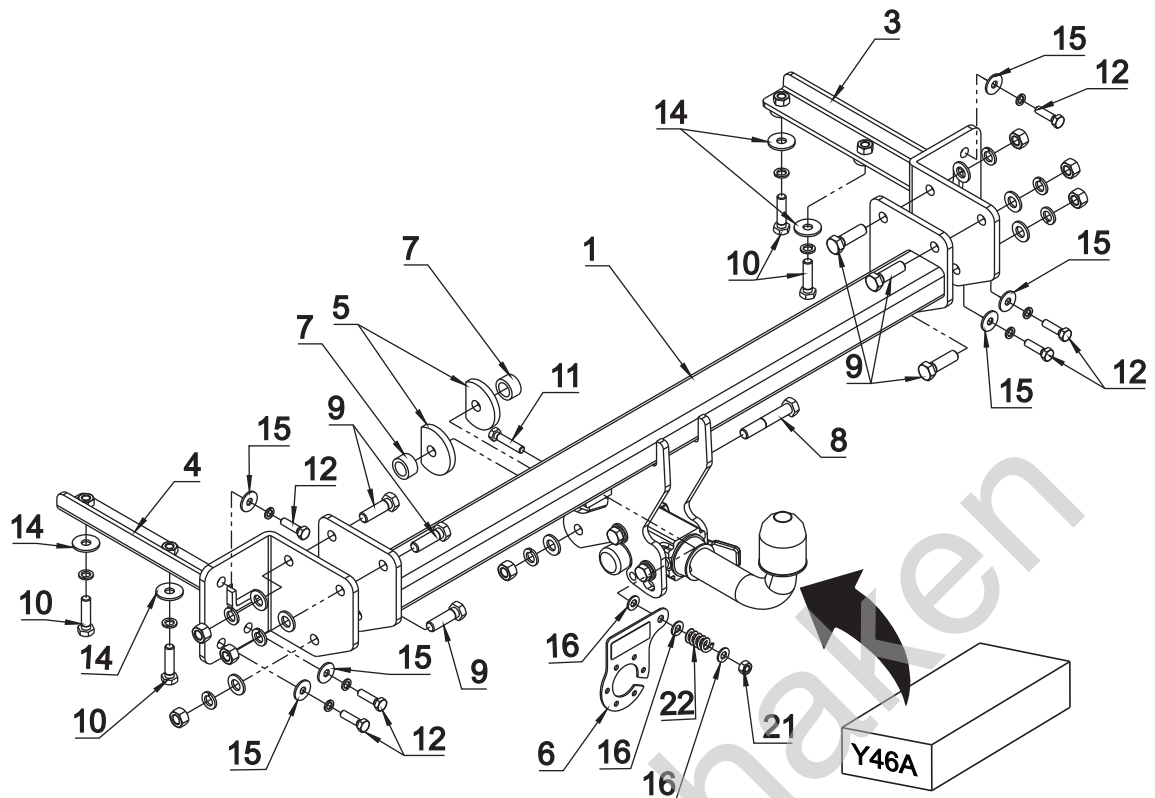
śruba Nm	M6	M8	M10	M12	M14	M16
klasa 8.8	9,9	24	48	83	132	200
klasa 10.9	14	34	67	117	185	285

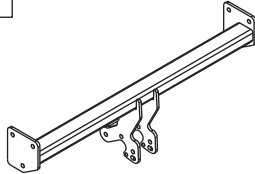

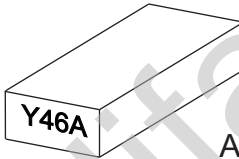






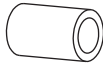


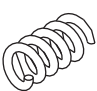


0 km

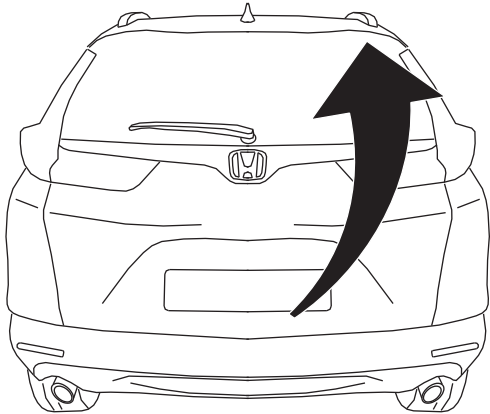


1000 km

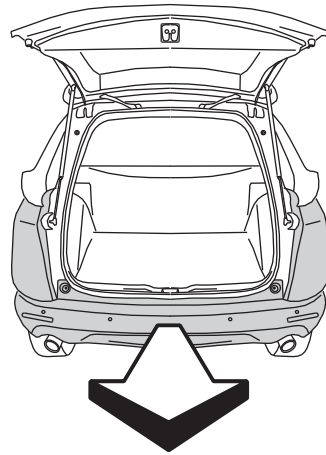


 <b>1</b>	<b>x1</b>		<b>8</b> M12x110	<b>x1</b>
			<b>9</b> M12x40	<b>x6</b>
			<b>10</b> M10x40	<b>x4</b>
			<b>11</b> M8x45	<b>x1</b>
			<b>12</b> M8x30	<b>x6</b>
			<b>13</b> $\varnothing$ 13	<b>x7</b>
 <b>2</b> Art.nr-KL1Y46A	<b>x1</b>		<b>14</b> $\varnothing$ 30x $\varnothing$ 10.5x2.5 10 (DIN 9021)	<b>x4</b>
			<b>15</b> $\varnothing$ 24x $\varnothing$ 8.5x2 8 (DIN 9021)	<b>x6</b>
 <b>3</b>	<b>x1</b>		<b>16</b> $\varnothing$ 8.4	<b>x3</b>
 <b>4</b>	<b>x1</b>		<b>17</b> $\varnothing$ 12.2	<b>x7</b>
 <b>5</b>	<b>x2</b>		<b>18</b> $\varnothing$ 10.2	<b>x4</b>
 <b>6</b> Art.nr-T12Y46A	<b>x1</b>		<b>19</b> $\varnothing$ 8.2	<b>x6</b>
 <b>7</b> $\varnothing$ 25x4mm L=14mm	<b>x2</b>		<b>20</b> M12	<b>x7</b>
				<b>21</b> M8 (DIN985)
				<b>22</b>

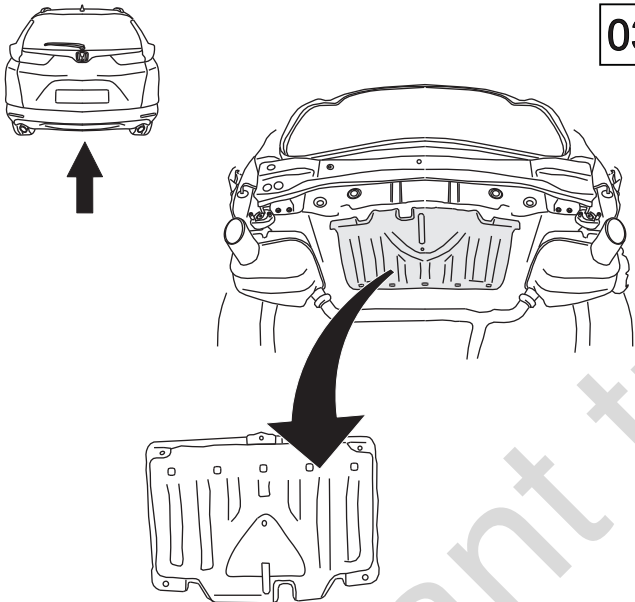
01



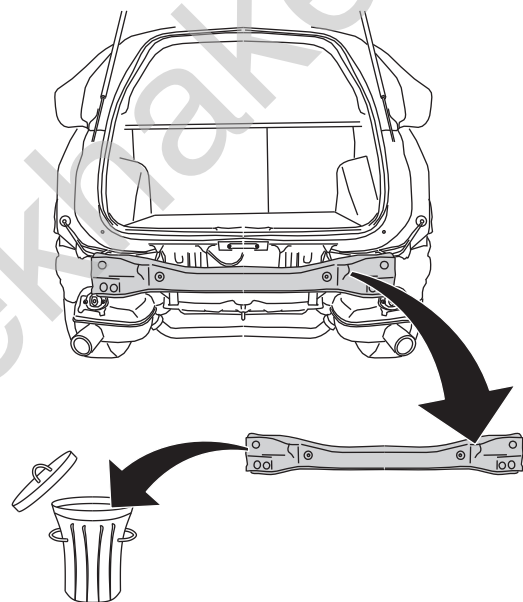
02



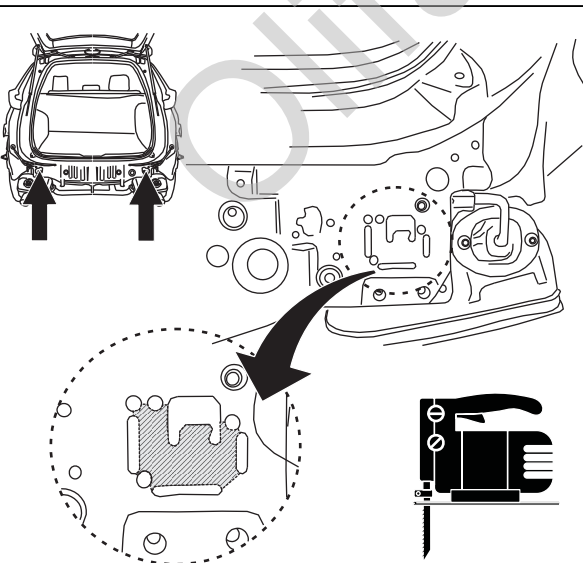
03



04



05



06

