

PPUH AUTO-HAK Sp.J.

Henryk i Zbigniew Nejman
ul. Słoneczna 16K 76-200 SŁUPSK
POLAND

tel/fax +48 59 8 414 414; +48 59 8 414 413

e-mail: office@autohak.com.pl

www.autohak.com.pl



AUTO-HAK

HONDA CIVIC 5D

~~Type - R~~

Cat. no:

Y44



01.2017 →



E20-55R-01 5108



8,5 kN



R=1500 kg



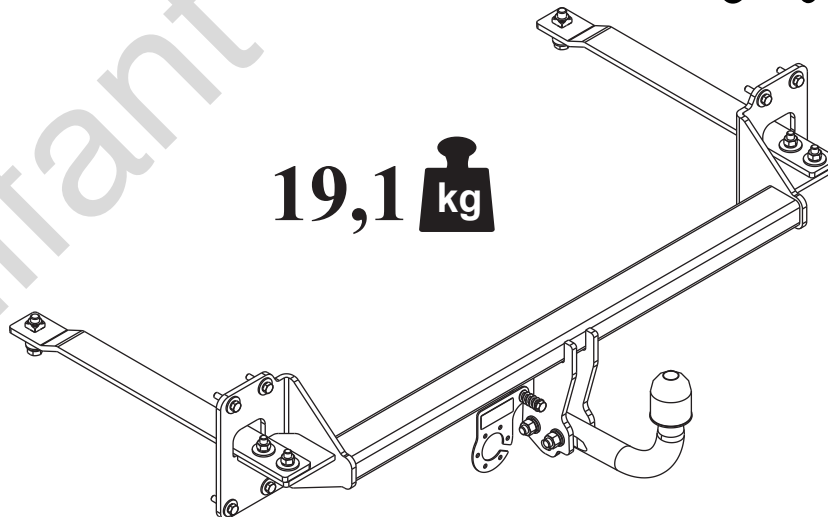
S=100 kg



2h



19,1  kg



M6 - 8,5 Nm
M10 - 41 Nm
M14 - 112 Nm

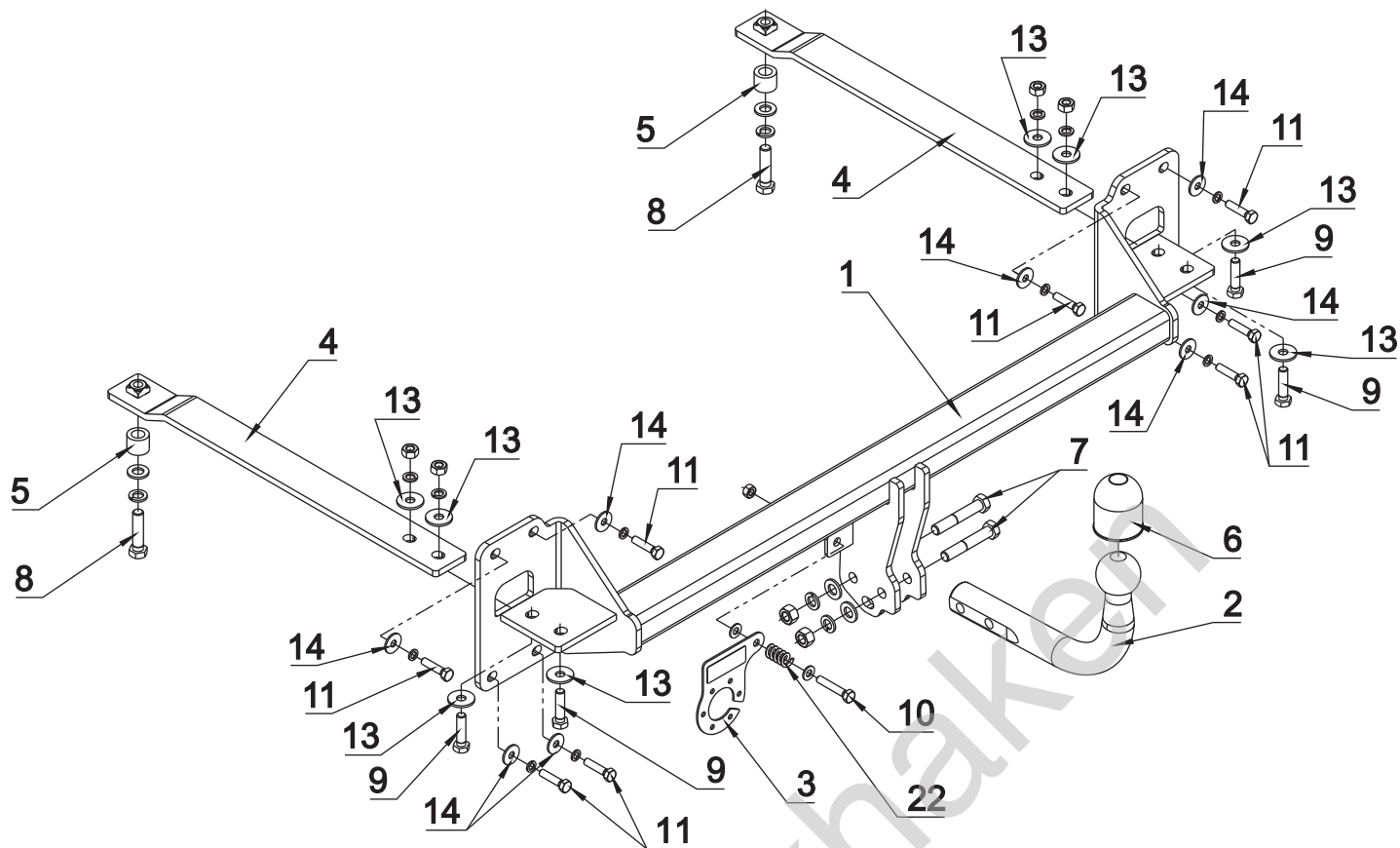
M8 - 20 Nm
M12 - 70 Nm
M16 - 170 Nm

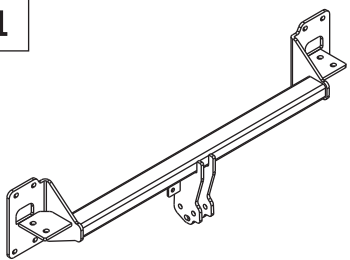

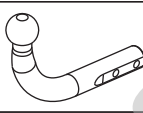

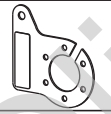

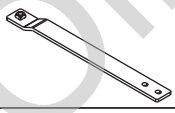

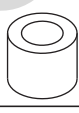



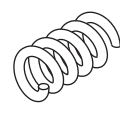


0 km →

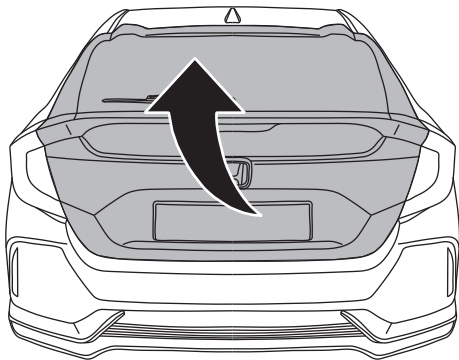


1000 km

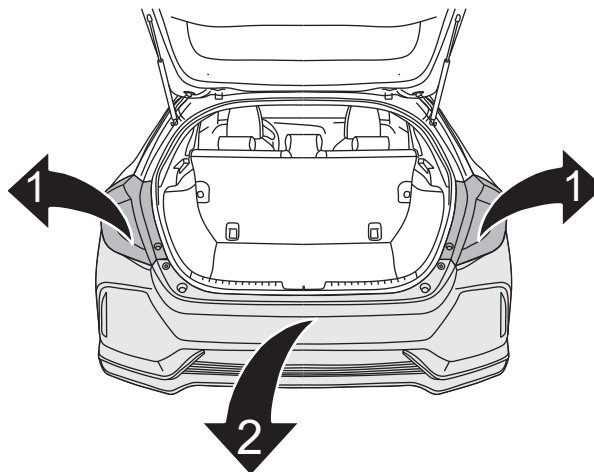


	1	x1		7 M12x70	x2
				8 M12x60	x2
				9 M10x40	x4
				10 M8x45	x1
				11 M8x35	x8
	2	x1		12 $\varnothing 13$	x4
		Art.nr-KL1Y44		13 $\varnothing 30 \times \varnothing 10.5 \times 2.5$ 10 DIN 9021	x8
	3	x1		14 $\varnothing 24 \times \varnothing 8.4 \times 2$ 8 DIN 9021	x8
		Art.nr-BL1Y44		15 $\varnothing 8.3$	x2
	4	x2		16 $\varnothing 12.2$	x4
				17 $\varnothing 10.2$	x4
	5	x2		18 $\varnothing 8.2$	x8
		$\varnothing 25 \times 5 \text{mm L} = 20 \text{mm}$		19 M12	x2
	6	x1		20 M10	x4
				21 M8	x1
				22	x1
					

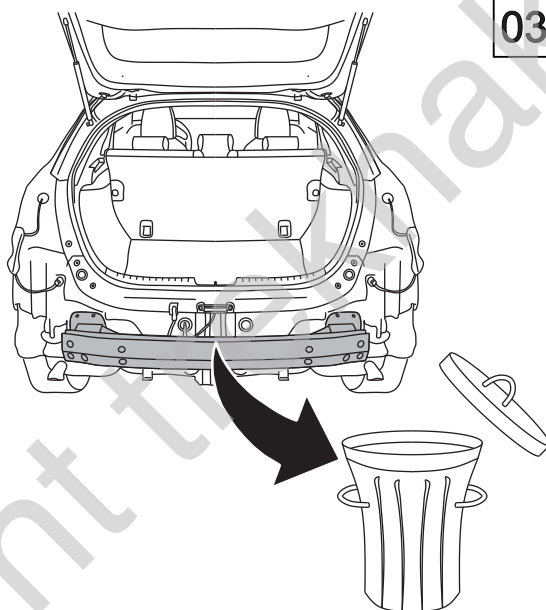
01



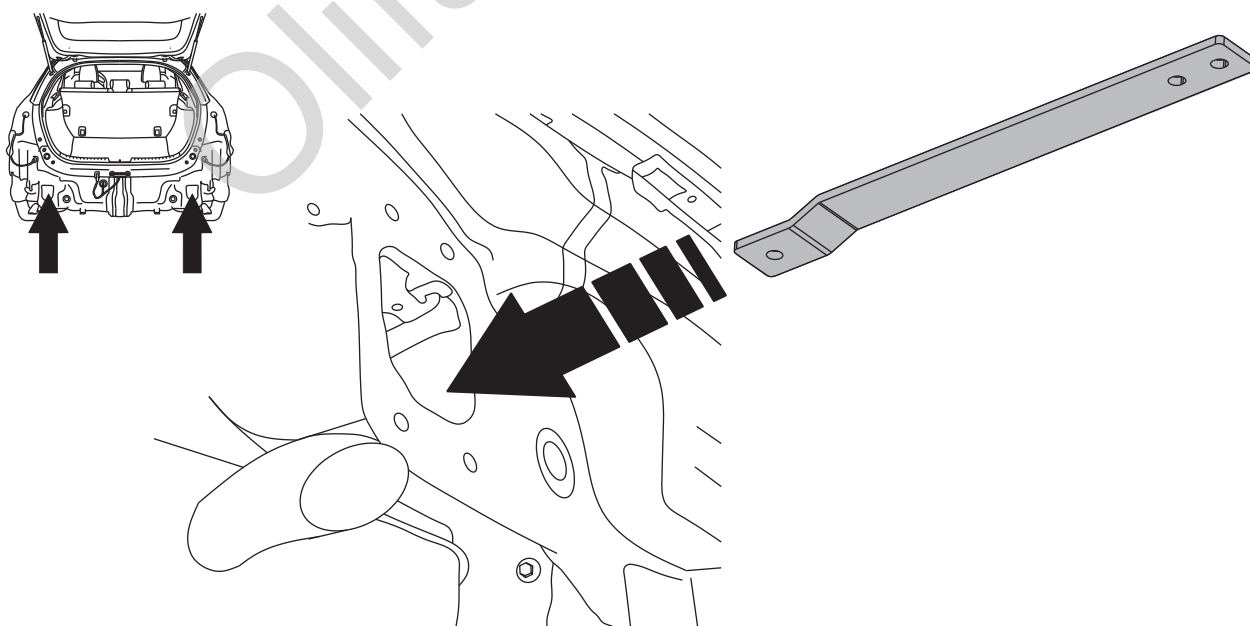
02



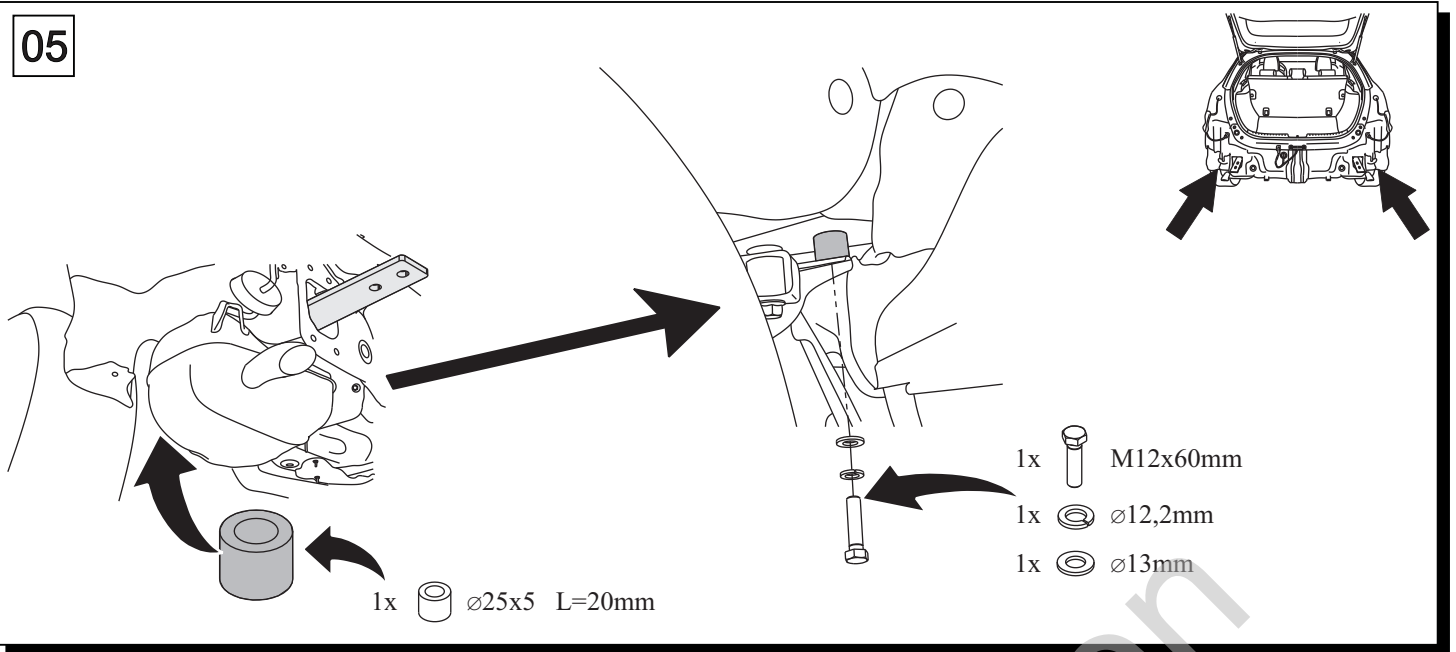
03



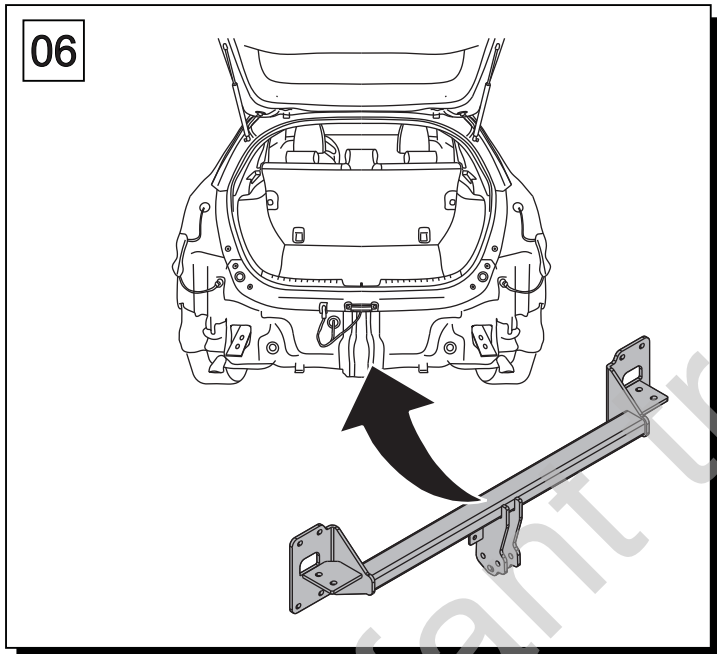
04



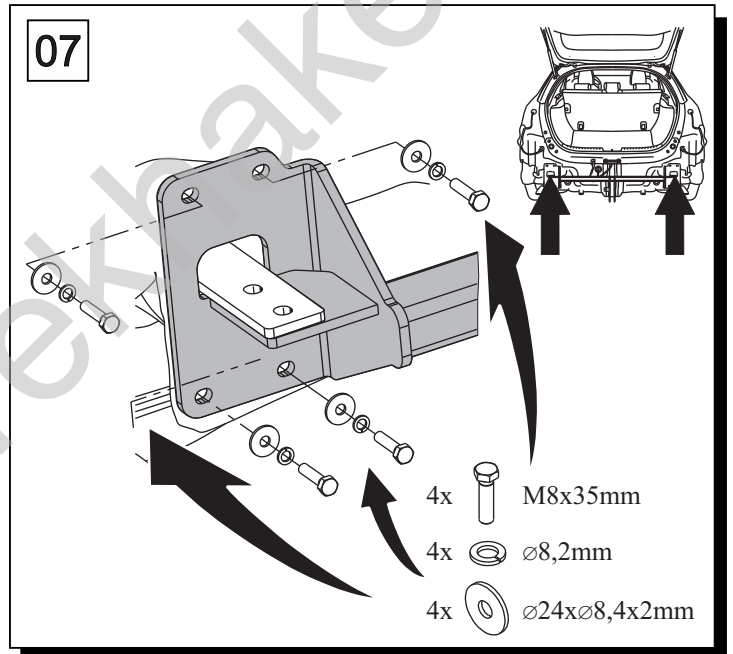
05



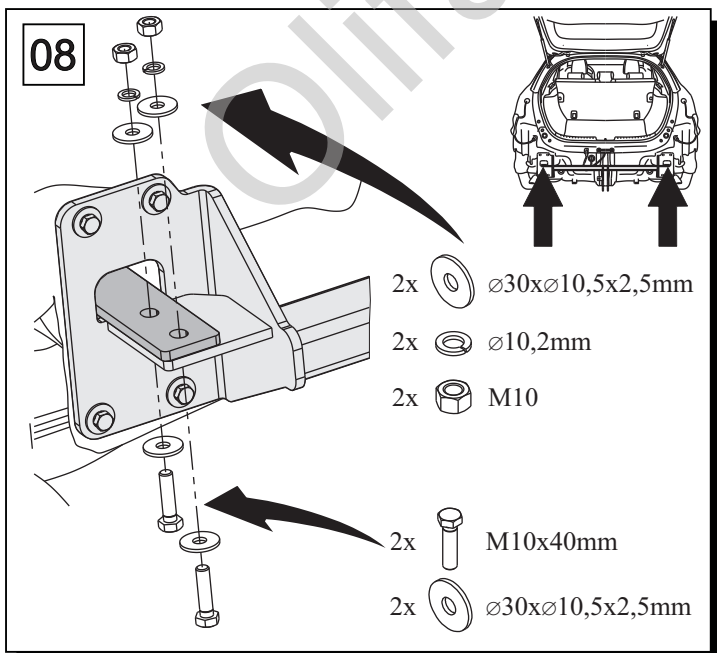
06



07



08



09

