

PPUH AUTO-HAK Sp.J.

Henryk & Zbigniew Nejman
ul. Słoneczna 16K 76-200 SŁUPSK
POLAND

tel/fax +48 059 8-414-414; 8-414-413

e-mail: office@autohak.com.pl

www.autohak.com.pl



AUTO-HAK



HONDA CIVIC 5D

Cat. no:

Y41A



01.2015 → 12.2016



E20-55R-01 4273



8,32 kN



R=1500 kg



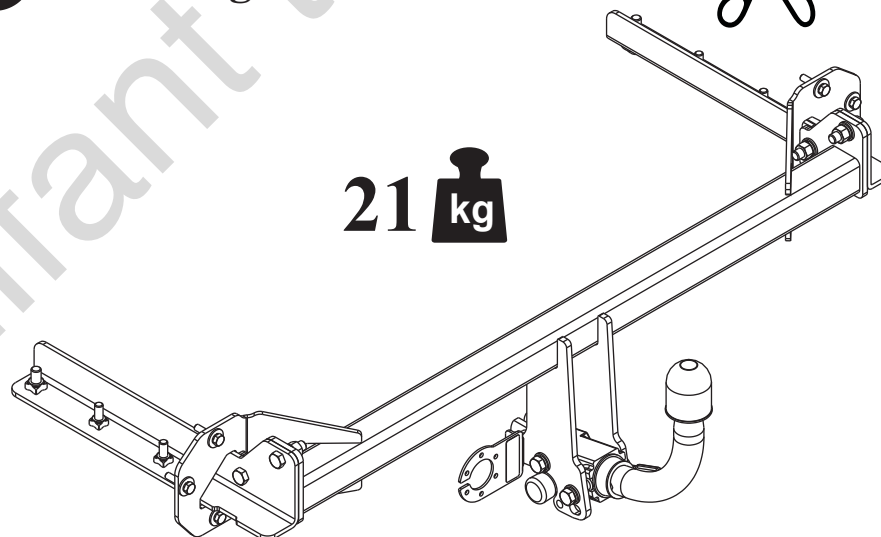
S=75 kg



2h



21 kg



M6 - 11 Nm
M10 - 50 Nm
M14 - 138 Nm

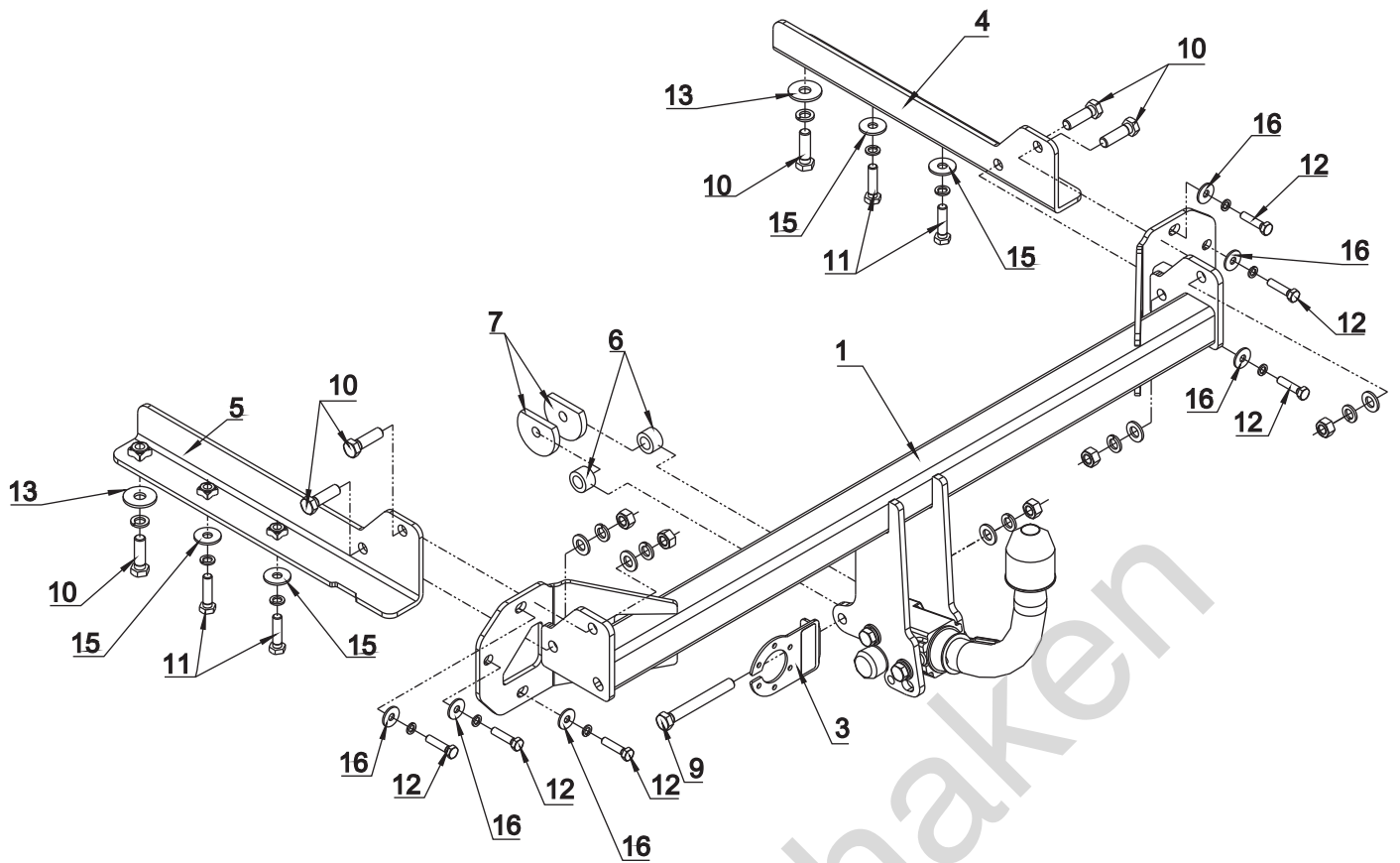
M8 - 25 Nm
M12 - 87 Nm
M16 - 210 Nm

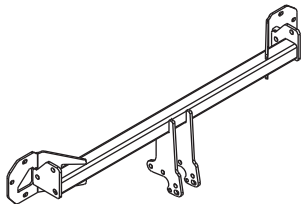

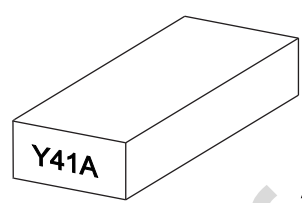

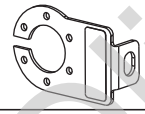
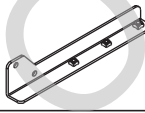
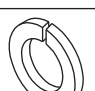
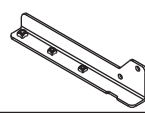






0 km →

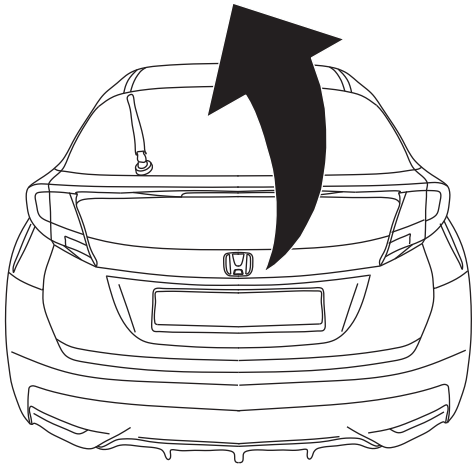


1000 km

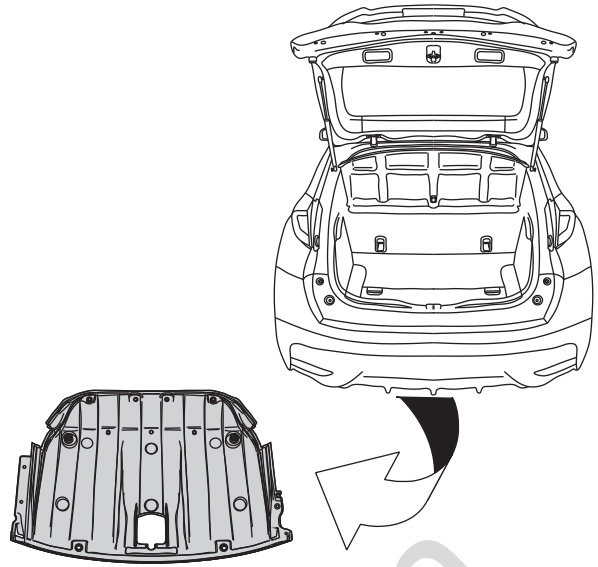


1		x 1		9	M12x100	x 1
				10	M12x40	x 6
				11	M10x40	x 4
				12	M 8x35	x 6
2	 Y41A Art..nr-KL1Y41A	x 1		13	∅ 37x∅13x3 13 (DIN 9021)	x 2
				14	∅ 13	x 5
				15	∅ 30x∅10.5x2.5 10 (DIN 9021)	x 4
3	 Art..nr-BL1Y41A	x 1		16	∅ 24x∅8.5x2 8 (DIN 9021)	x 6
4		x 1		17	∅ 12.2	x 7
5		x 1		18	∅ 10.2	x 4
				19	∅ 8.2	x 6
6		x 2		20	M12	x 5
7		x 2				
8		x 1				

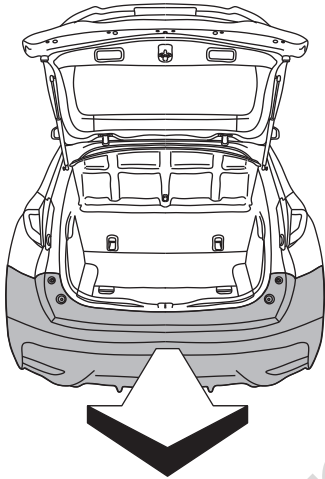
01



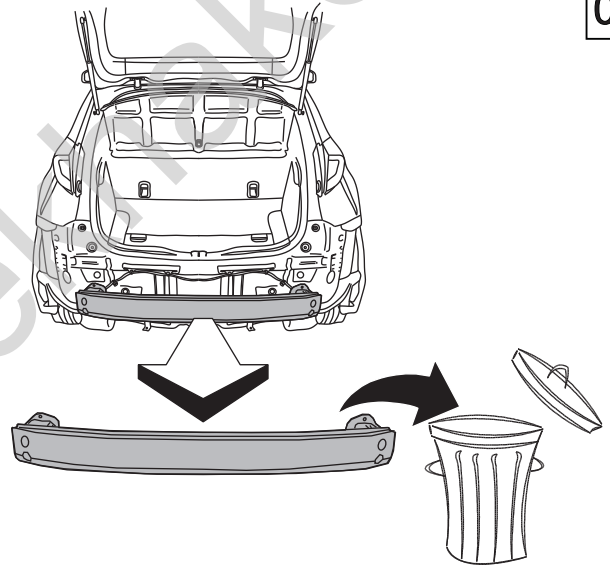
02



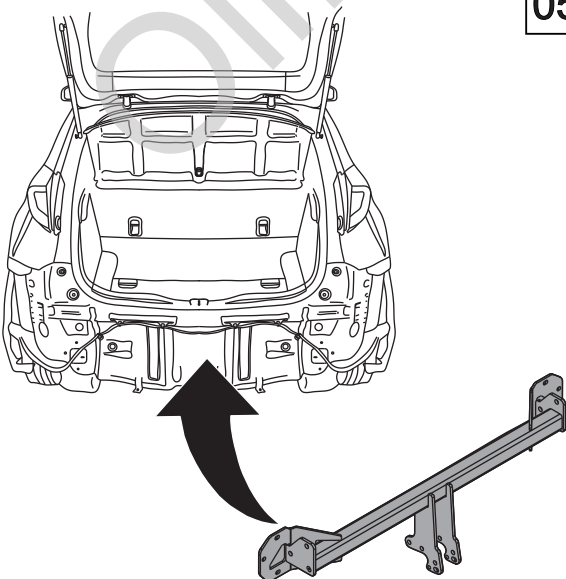
03



04



05



06

