

PPUH AUTO-HAK Sp.J.

Henryk i Zbigniew Nejman
ul. Słoneczna 16K 76-200 SŁUPSK
POLAND

tel/fax +48 59 8 414 414; +48 59 8 414 413

e-mail: office@autohak.com.pl

www.autohak.com.pl



AUTO-HAK



HONDA CIVIC 4D

Cat. no:

Y38A



01.2012 → 05.2017

e20

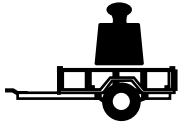
e20*94/20*1755*00

D

8,8 kN



1,5h



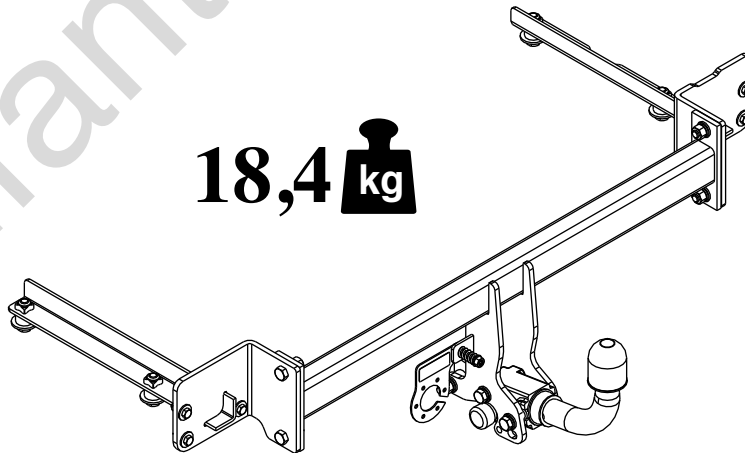
R=1700 kg



S=75 kg



18,4 kg



M6 - 11 Nm
M10 - 50 Nm
M14 - 138 Nm

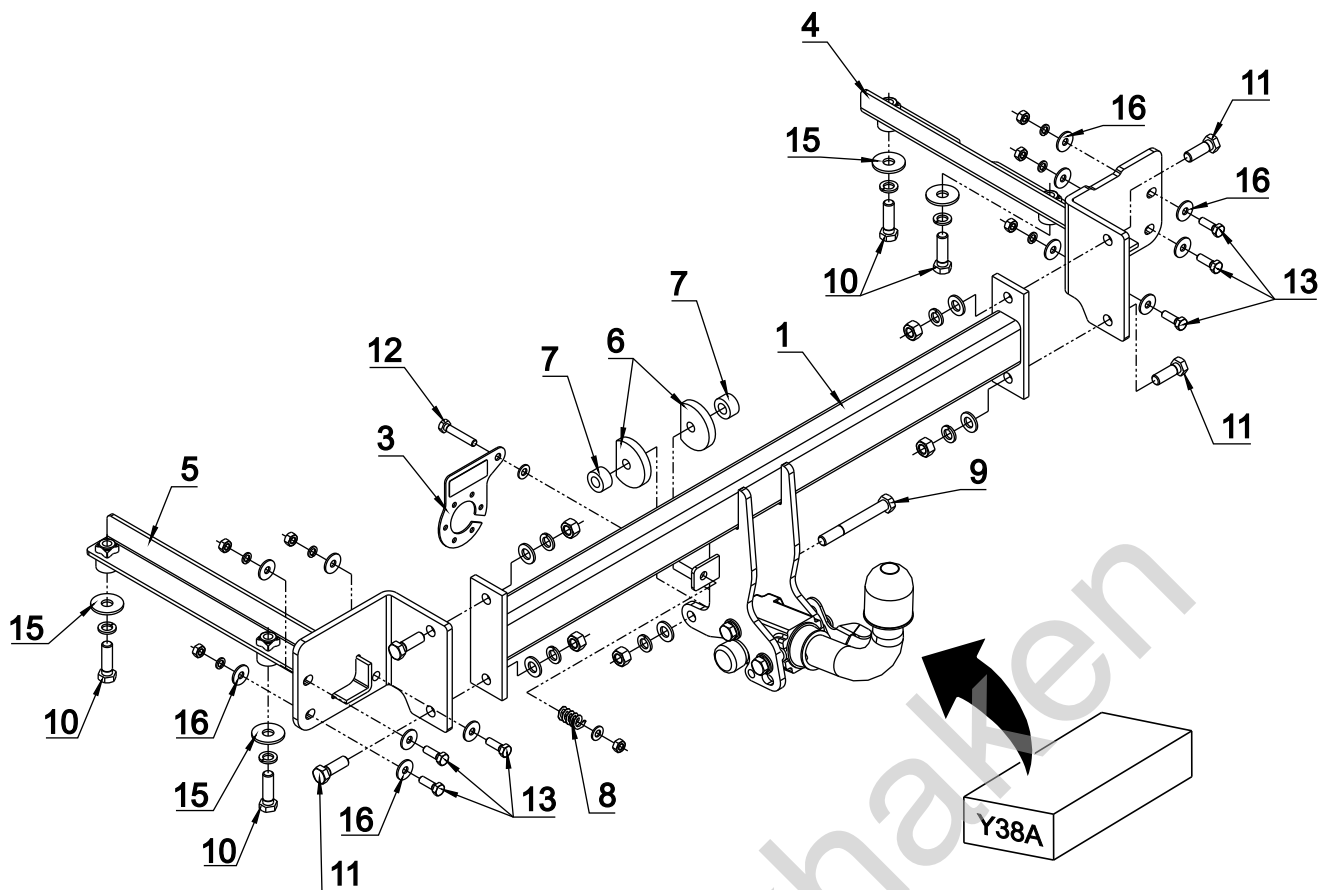
M8 - 25 Nm
M12 - 87 Nm
M16 - 210 Nm

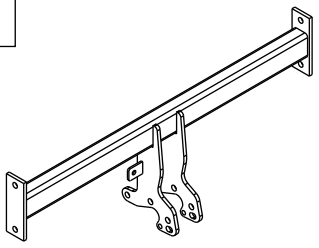

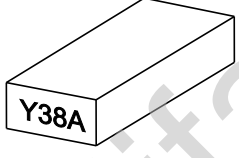



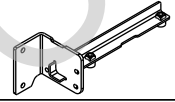

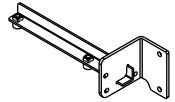


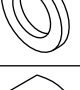


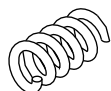


0 km →

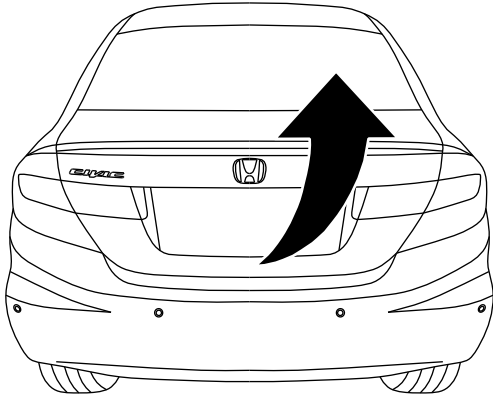


1000 km

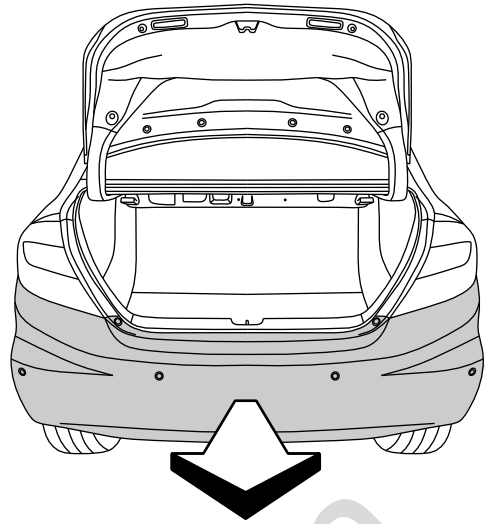


	x1		9 M12x100	x1
			10 M12x40	x4
 Art.nr-KL1Y38A	x1		11 M12x35	x4
			12 M8x45	x1
 Art.nr-BL1Y38A	x1		13 M8x25	x6
			14 \varnothing 13	x5
	x1		15 \varnothing 37x \varnothing 13x3 13 (DIN 9021)	x4
			16 \varnothing 24x \varnothing 8.5x2 8 (DIN 9021)	x12
	x1		17 \varnothing 8.4	x2
			18 \varnothing 12.2	x9
	x2		19 \varnothing 8.2	x6
			20 M12	x5
	x2		21 M8	x7
			8	x1
	x1			

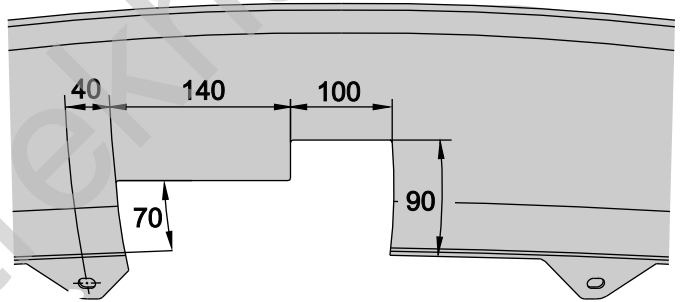
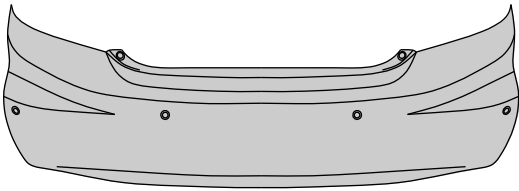
01



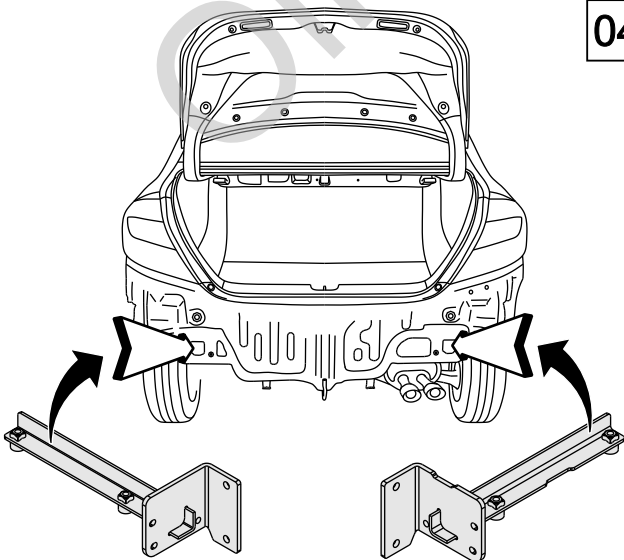
02



03



04



05

