

PPUH AUTO-HAK Sp.J.

Henryk i Zbigniew Nejman
ul. Słoneczna 16K 76-200 SŁUPSK
POLAND

tel/fax +48 59 8 414 414; +48 59 8 414 413

e-mail: office@autohak.com.pl

www.autohak.com.pl



AUTO-HAK

HONDA

- ACCORD 4D
- ACCORD TOURER KOMBI

~~Type S~~

Cat. no:

Y36



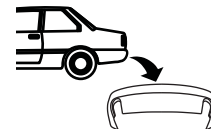
08.2008 →



2h



E20-55R-01 4824



D

9,5 kN

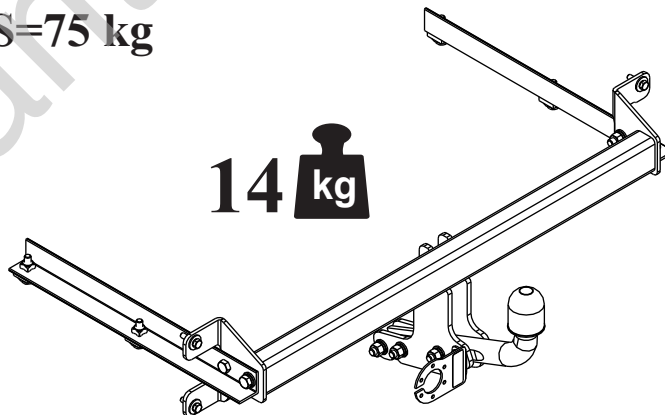


R=1700 kg



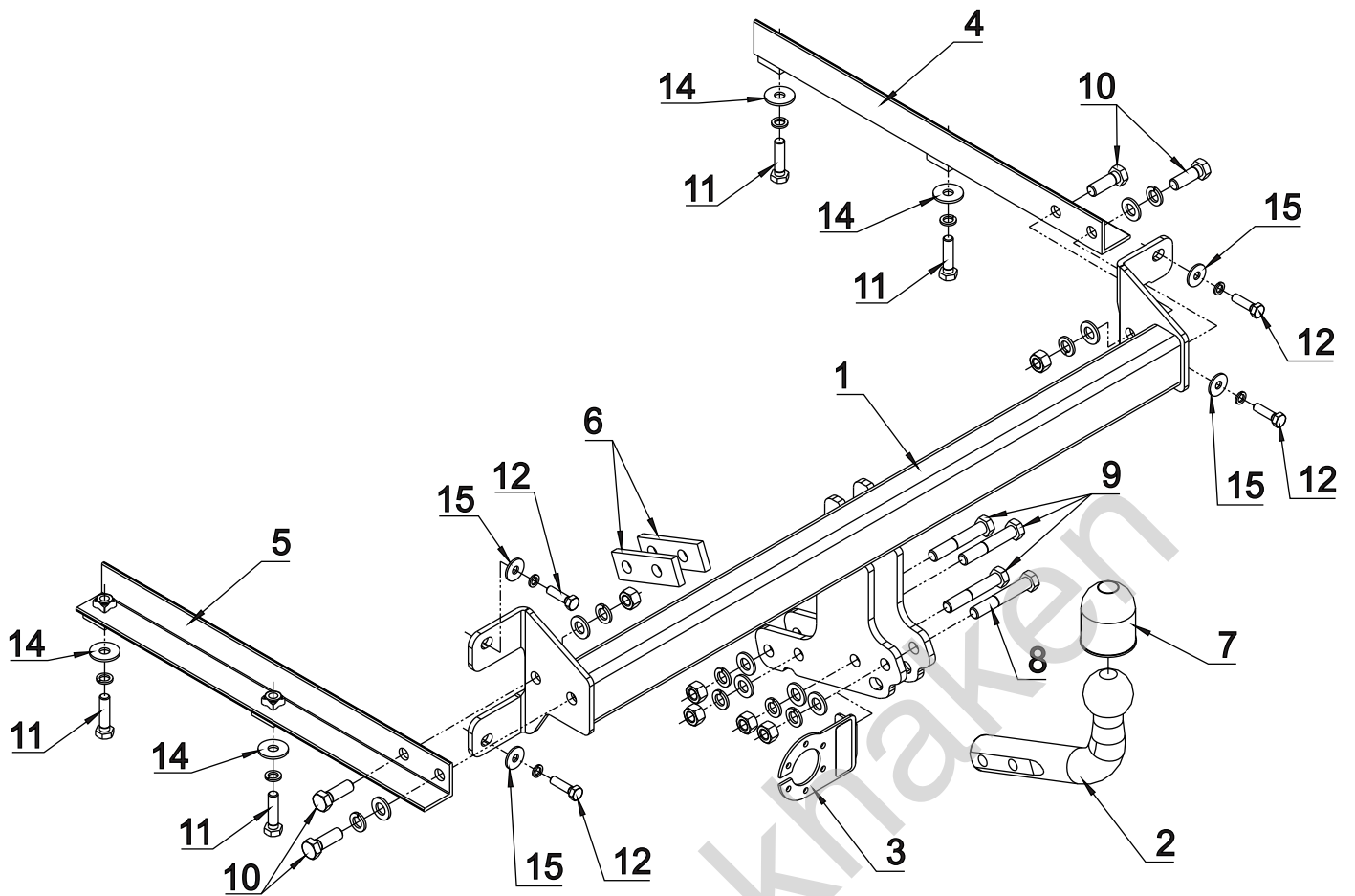
S=75 kg

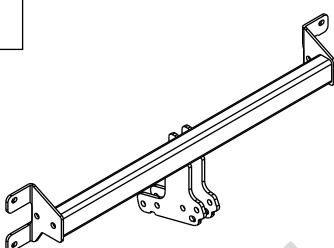

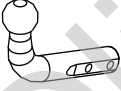

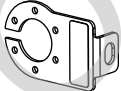
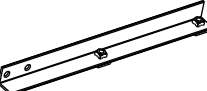

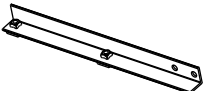
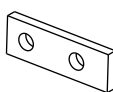
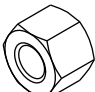
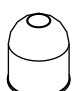
14 kg



śruba	Nm	M6	M8	M10	M12	M14	M16
klasa 8.8		9,9	24	48	83	132	200
klasa 10.9		14	34	67	117	185	285

0 km → 1000 km



1		x1		8	M12x75	x1
				9	M12x70	x3
				10	M12x35	x4
				11	M10x40	x4
				12	M8x30	x4
2		x1		13	∅ 13	x8
	Art.nr-KL1Y36			14	∅ 30x∅10.5x2.5 10 (DIN 9021)	x4
3		x1		15	∅ 24x∅8.5x2 8 (DIN 9021)	x4
	Art.nr-BL1Y36			16	∅ 12.2	x8
4		x1		17	∅ 10.2	x4
5		x1		18	∅ 8.2	x4
6		x2		19	M12	x6
	90x30x8mm					
7		x1				

