

# AUTO-HAK Sp. z o.o.

ul. Słoneczna 16K 76-200 SŁUPSK  
POLAND

tel/fax +48 59 8 414 414; +48 59 8 414 413

e-mail: [office@autohak.com.pl](mailto:office@autohak.com.pl)

[www.autohak.com.pl](http://www.autohak.com.pl)



# AUTO-HAK

## HONDA JAZZ

5D, VAN

Nr kat.

Y35A



11.2008 → 2015

e20

e20\*94/20\*0852\*00

D

6,1 kN



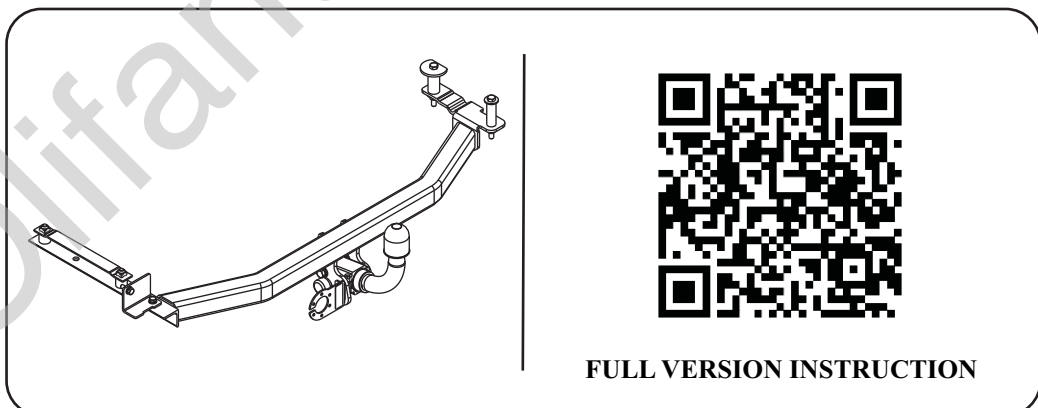
2h



R=1000 kg



S=95 kg



FULL VERSION INSTRUCTION



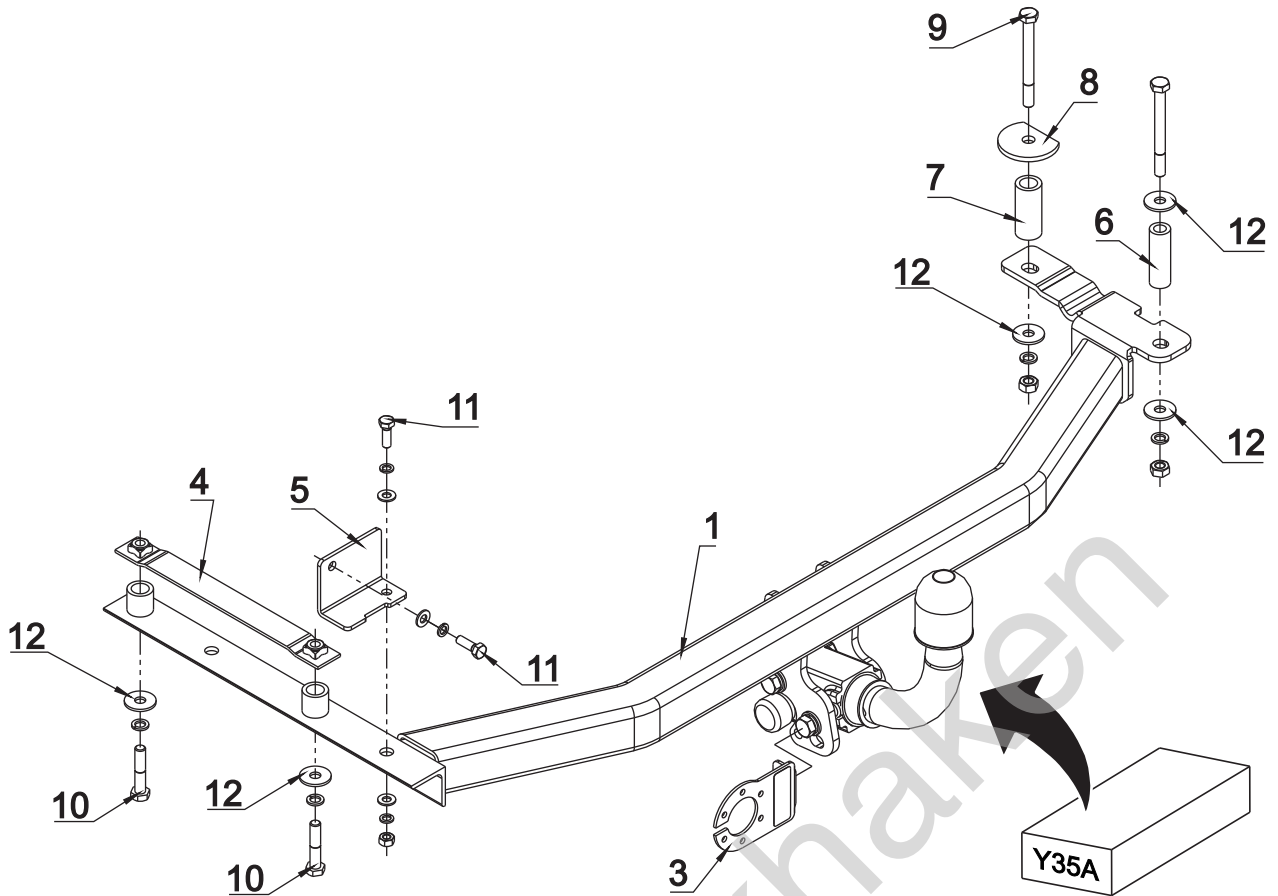
śruba	Nm	M6	M8	M10	M12	M14	M16
klasa 8.8		9,9	24	48	83	132	200
klasa 10.9		14	34	67	117	185	285

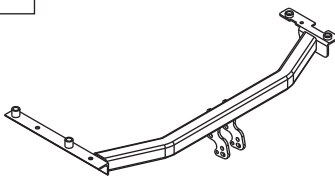




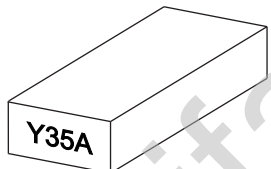




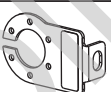
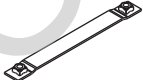
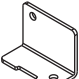





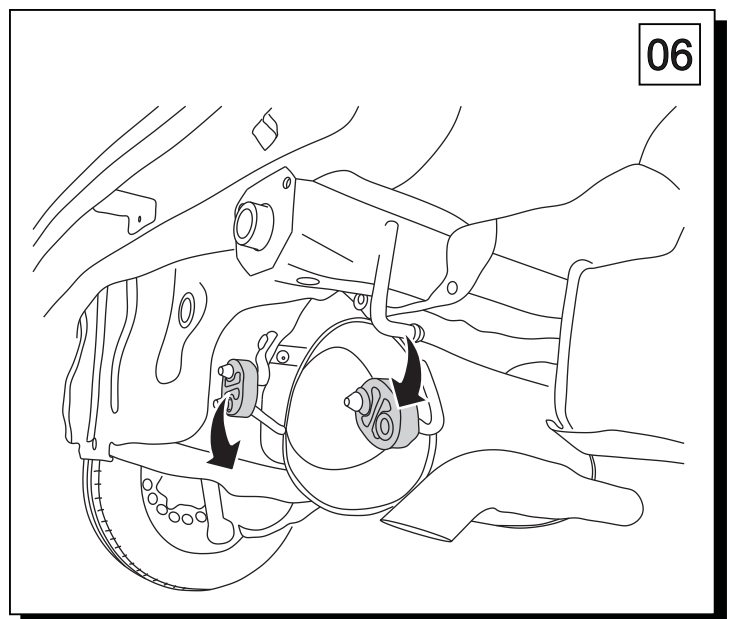
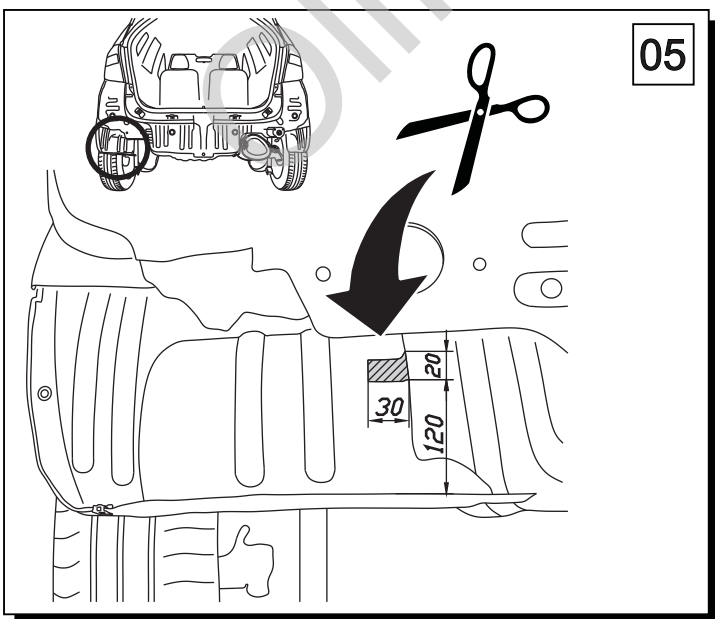
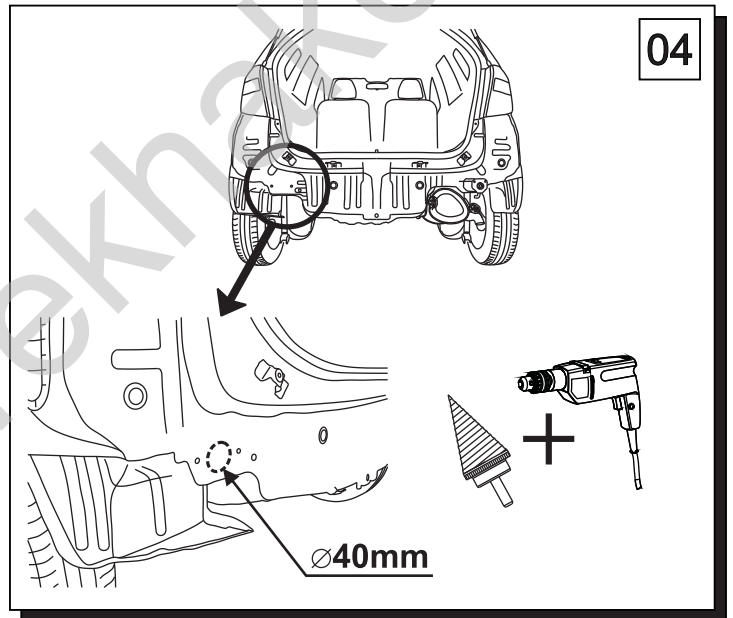
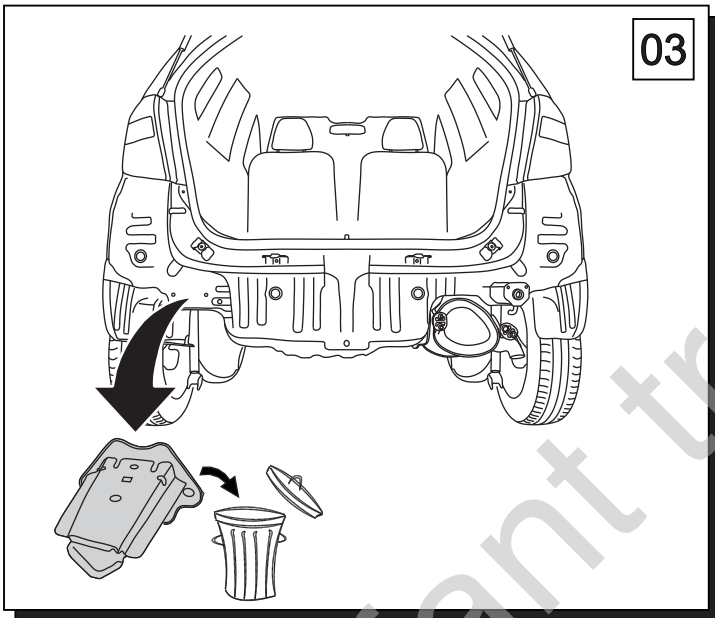
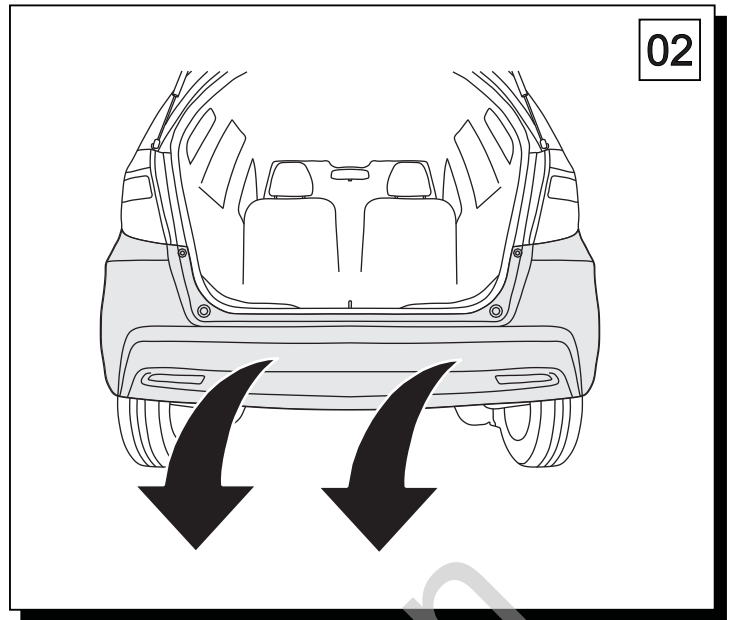
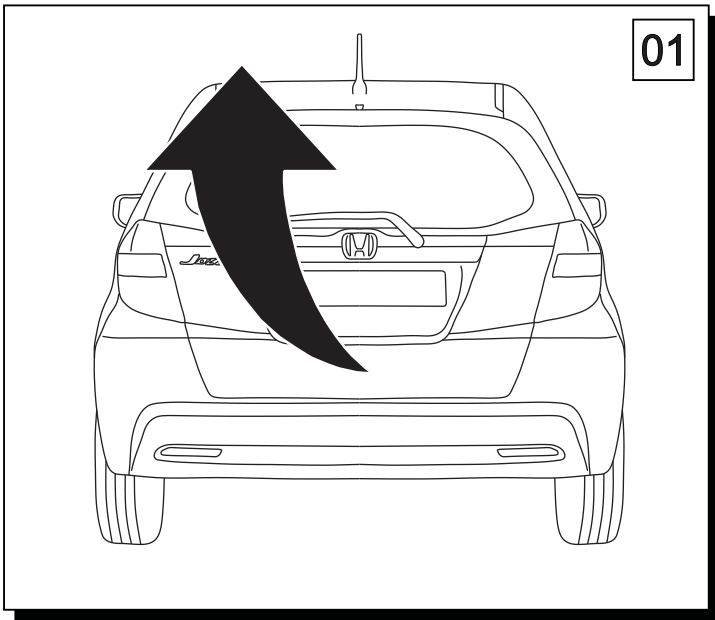
0 km

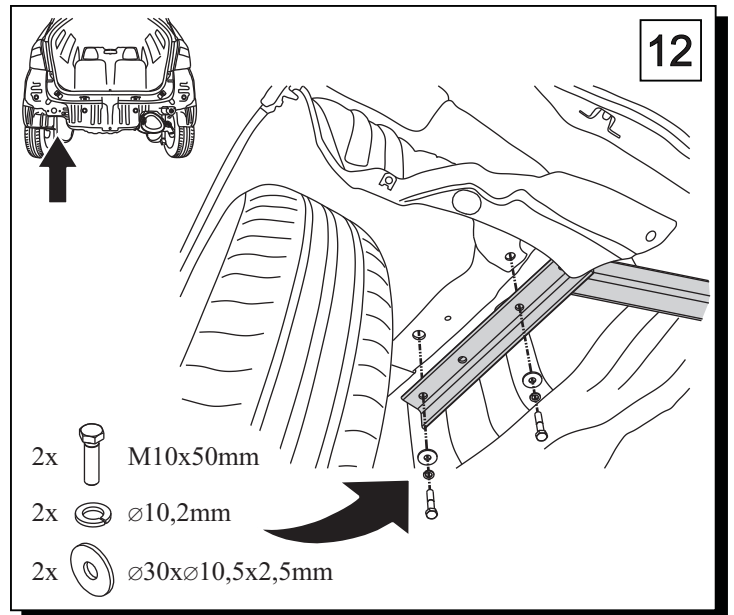
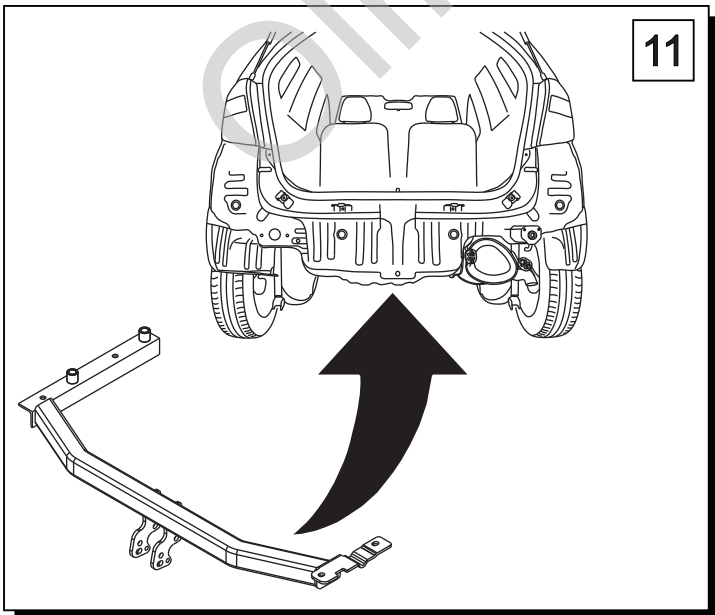
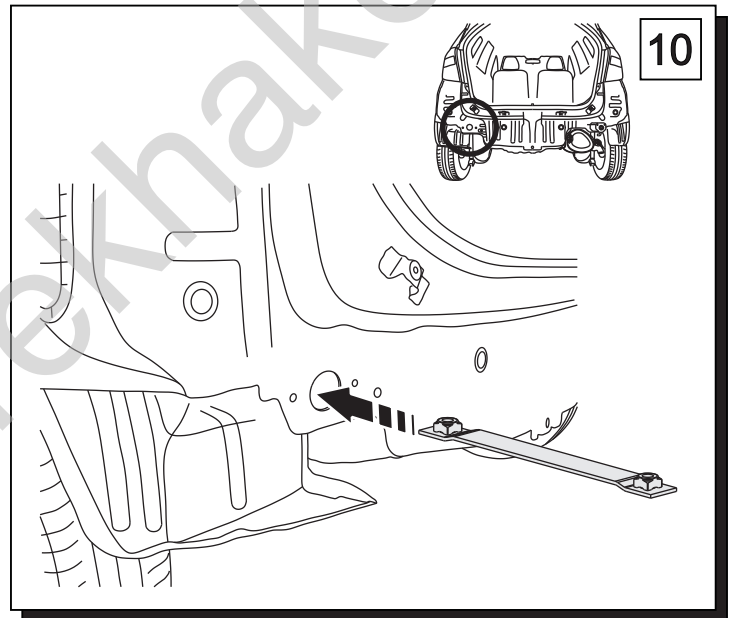
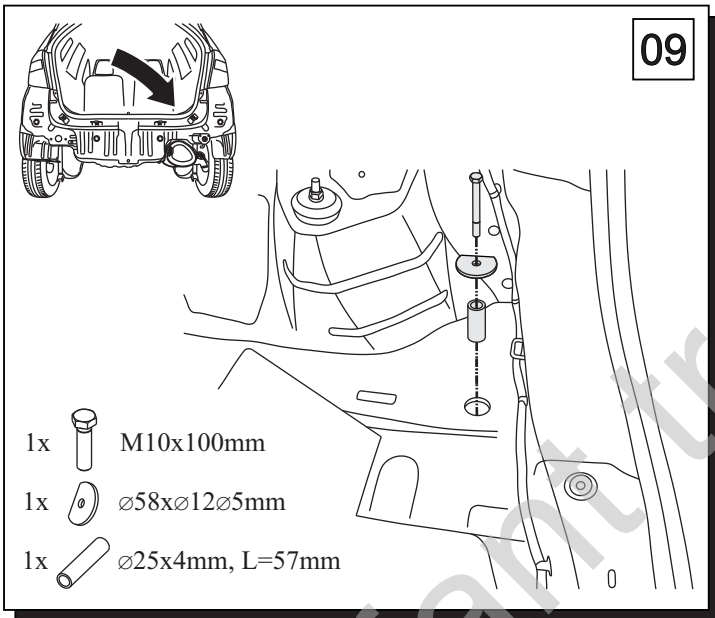
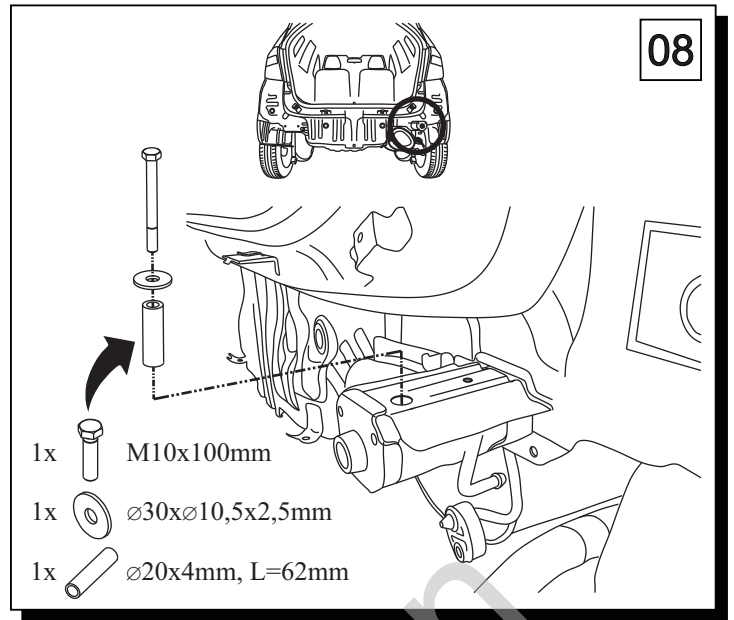
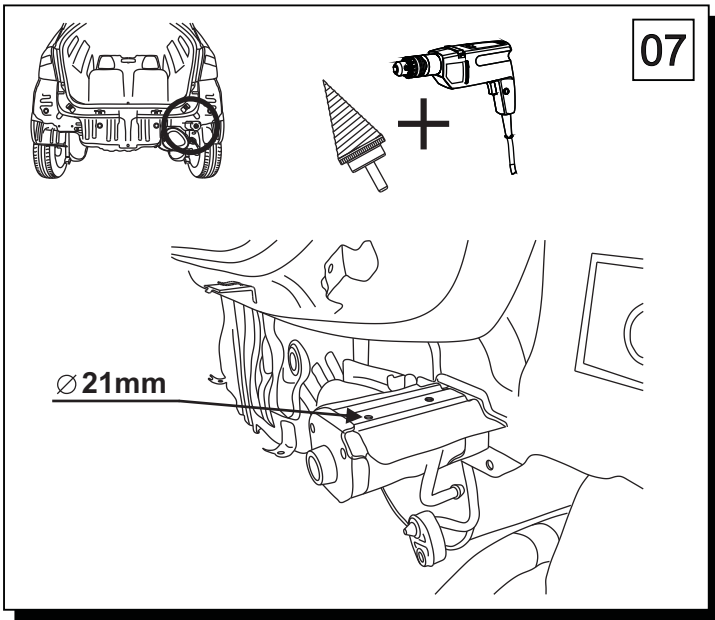


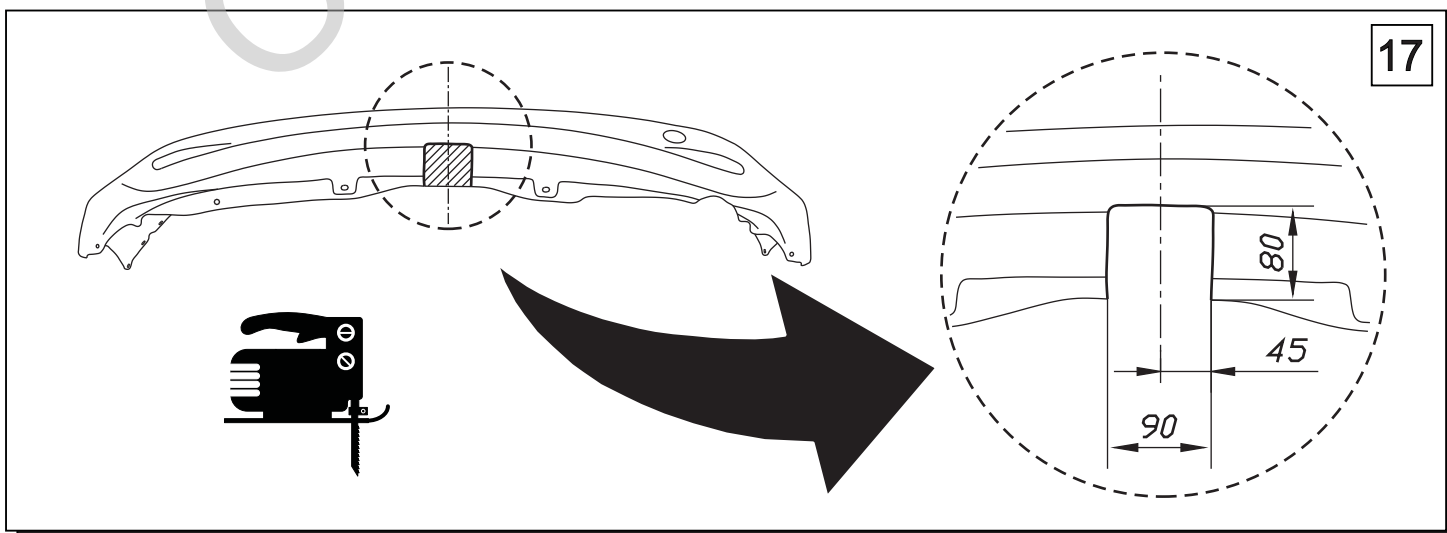
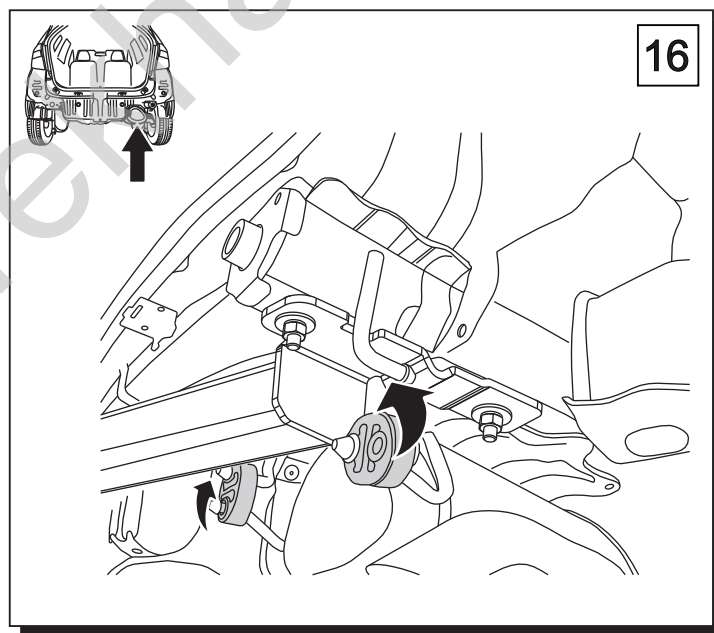
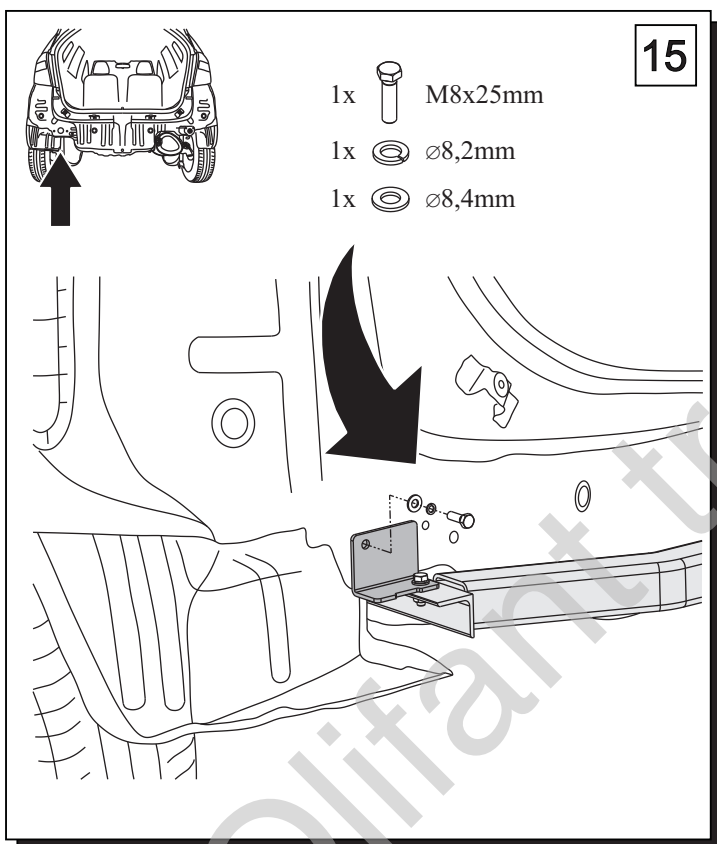
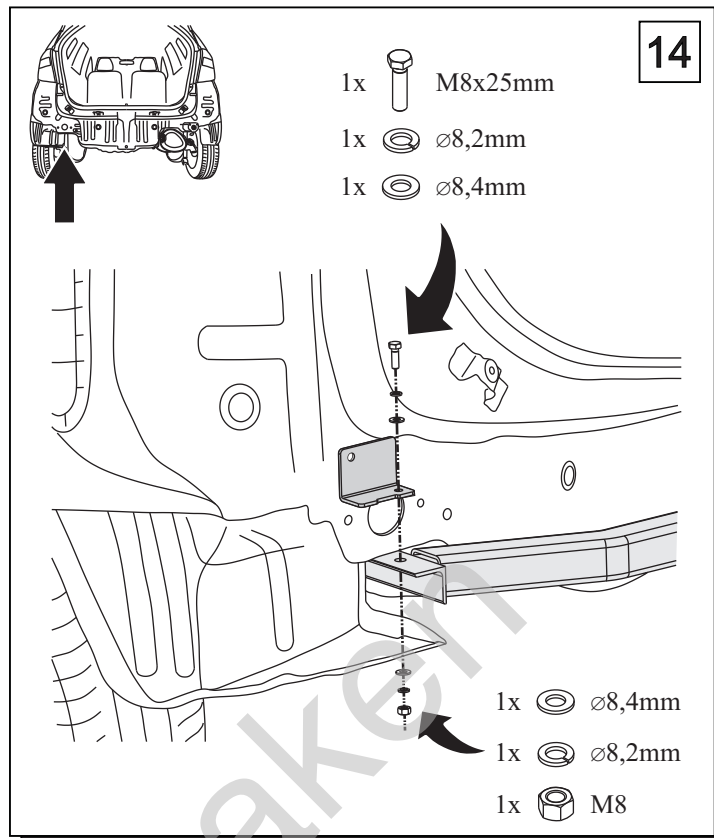
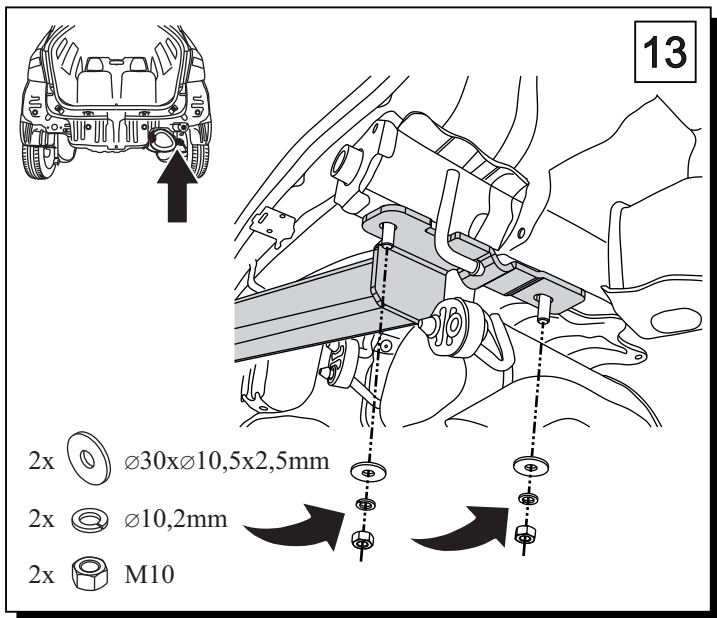
1000 km



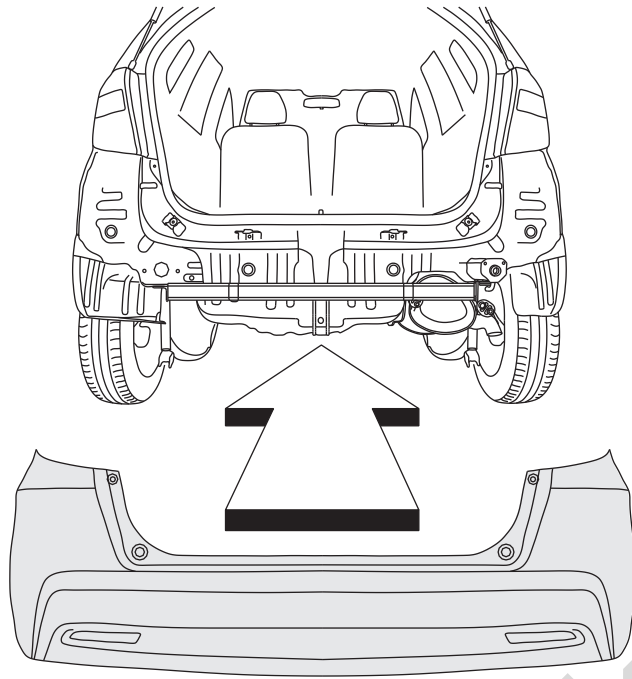
1		x1		9 M10x100	x2
				10 M10x50	x2
				11 M8x25	x2
				12 $\varnothing 30 \times \varnothing 10.5 \times 2.5$ 10 (DIN 9021)	x5
2	 Art.nr-KL1Y35A	x1		13 $\varnothing 8.4$	x3
				14 $\varnothing 10.2$	x4
				15 $\varnothing 8.2$	x3
				16 M10	x2
3	 Art.nr-BL1Y35A	x1		17 M8	x1
4		x1			
5		x1			
6		x1		$\varnothing 20 \times 4 \text{mm L}=62 \text{mm}$	
7		x1		$\varnothing 25 \times 4 \text{mm L}=57 \text{mm}$	
8		x1			







18



19

