

AUTO-HAK Sp. z o.o.

ul. Słoneczna 16K 76-200 SŁUPSK
POLAND

tel/fax +48 59 8 414 414; +48 59 8 414 413

e-mail: office@autohak.com.pl

www.autohak.com.pl



AUTO-HAK

HONDA JAZZ

5D, VAN

Nr kat.

Y35



11.2008 → 2015

e20

e20*94/20*0851*00

D

6,1 kN



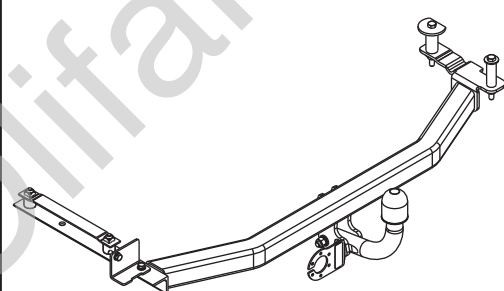
R=1000 kg



S=95 kg



2h



FULL VERSION INSTRUCTION



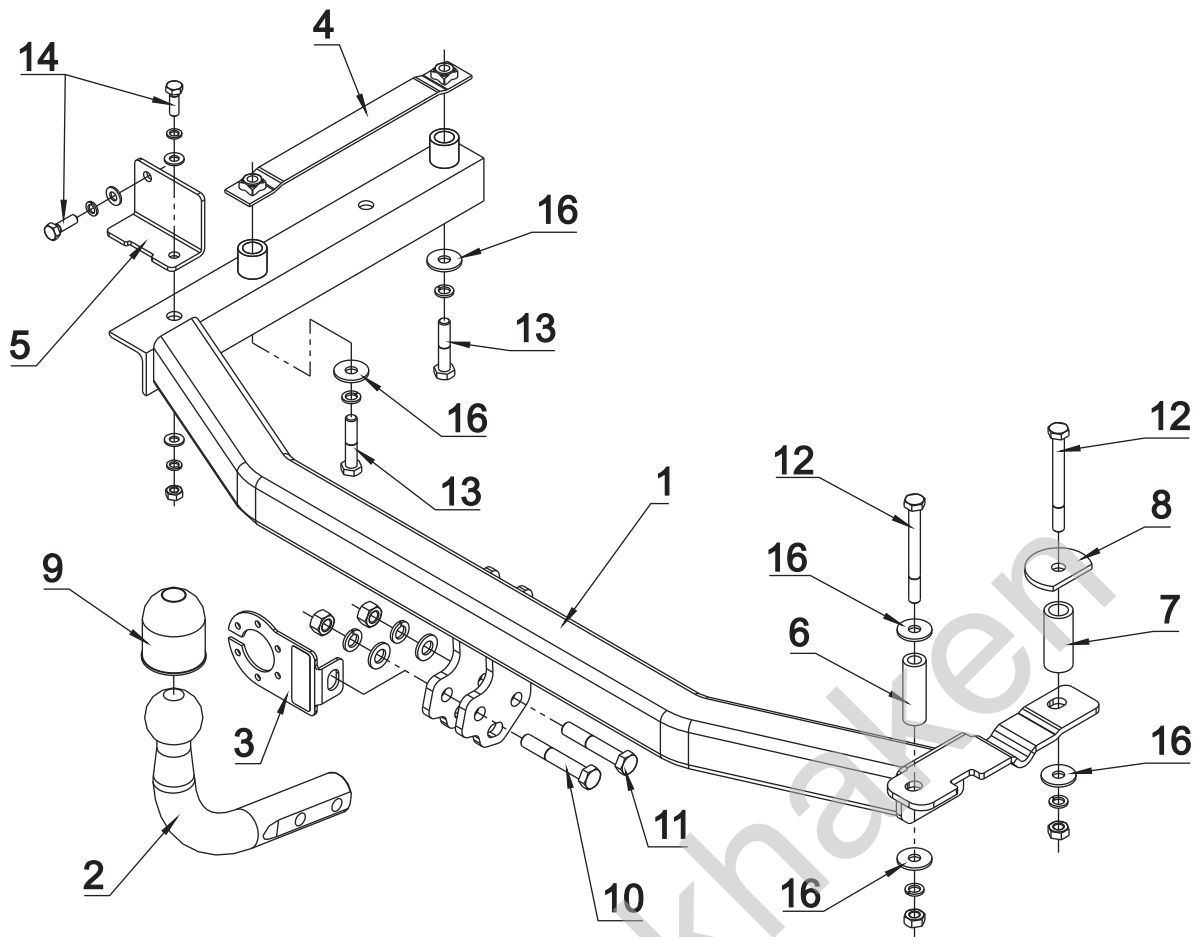
śruba	Nm	M6	M8	M10	M12	M14	M16
klasa 8.8		9,9	24	48	83	132	200
klasa 10.9		14	34	67	117	185	285

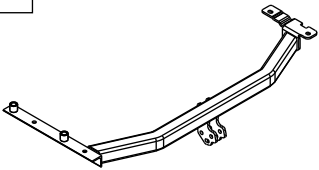





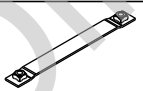

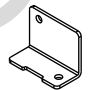

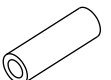

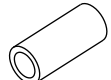








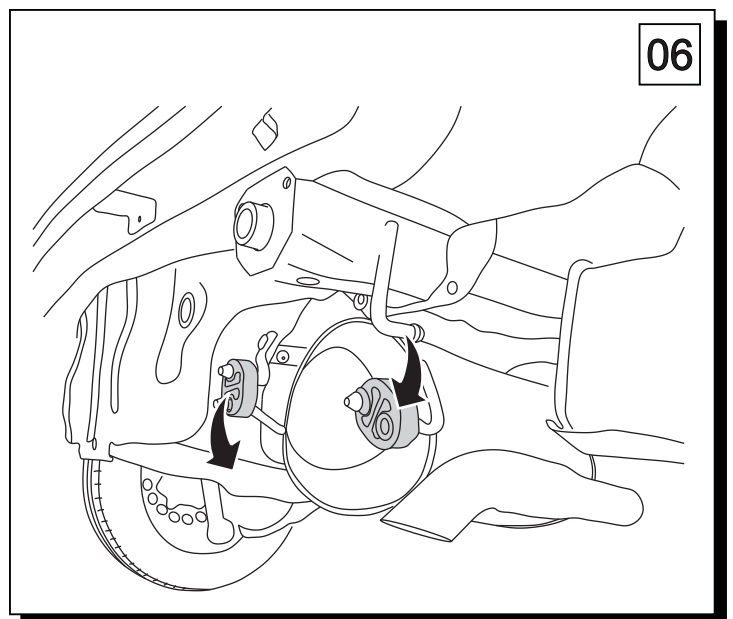
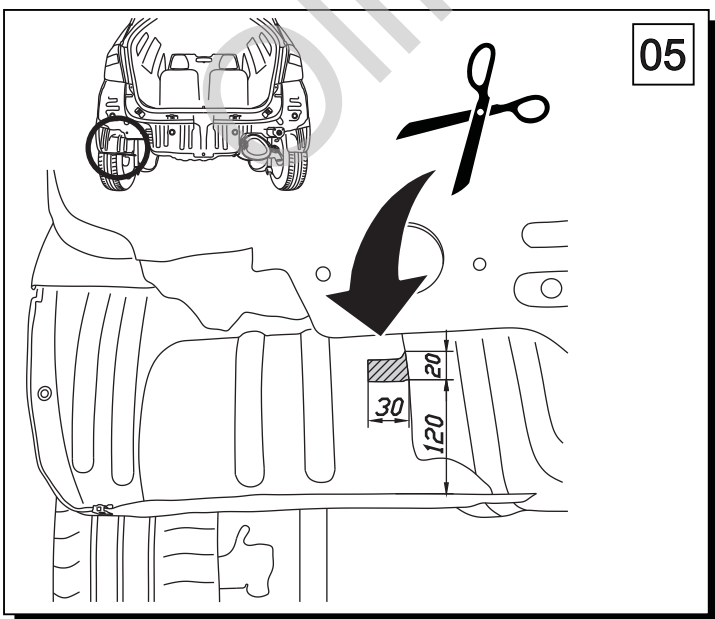
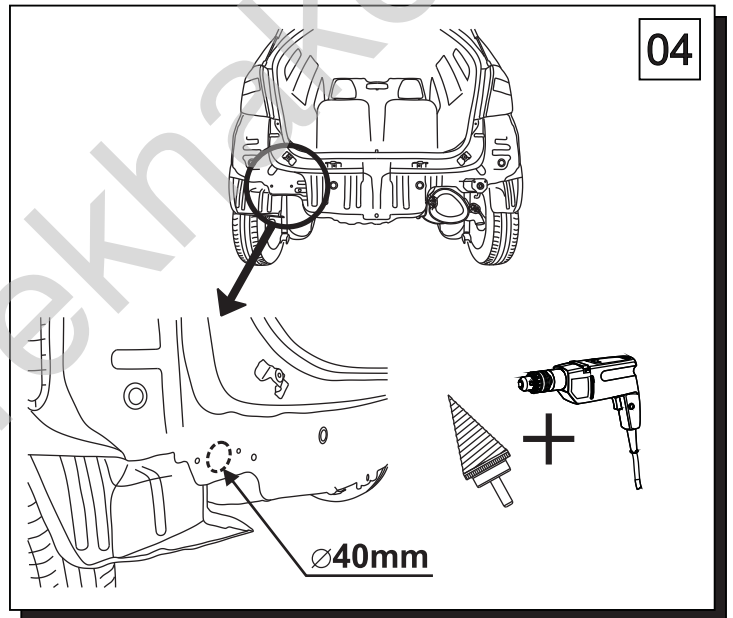
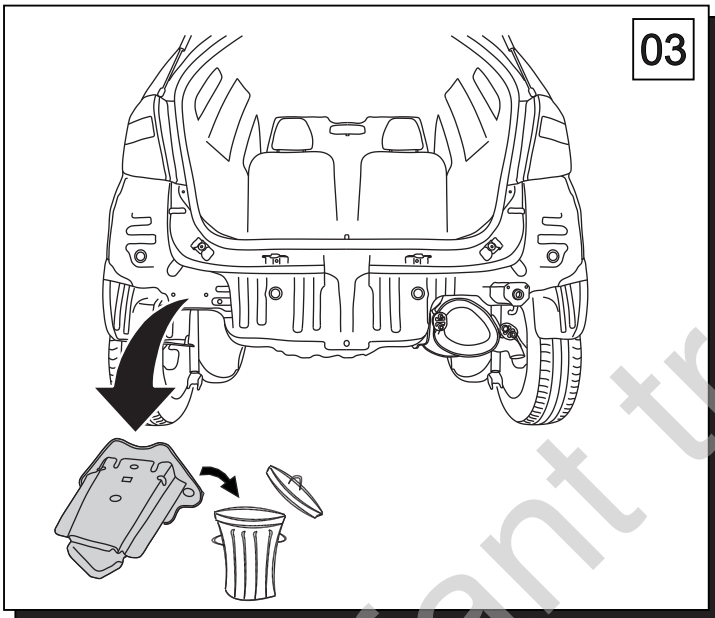
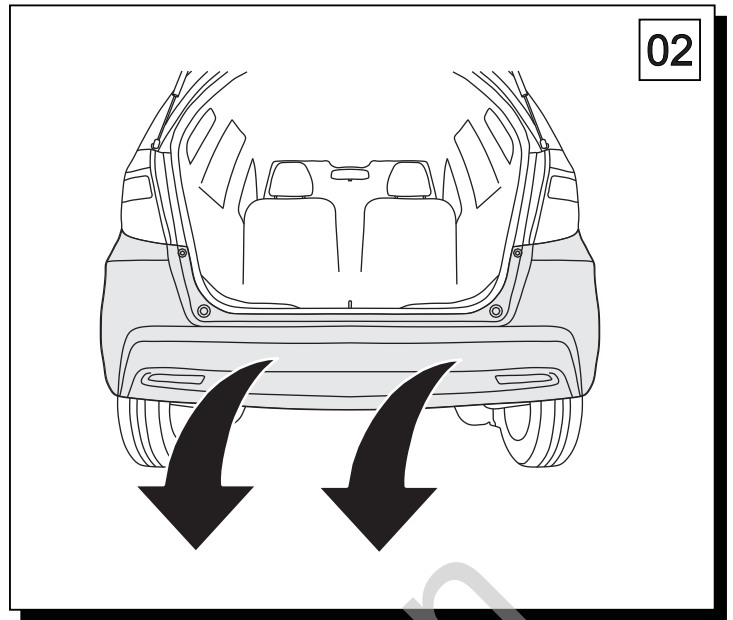
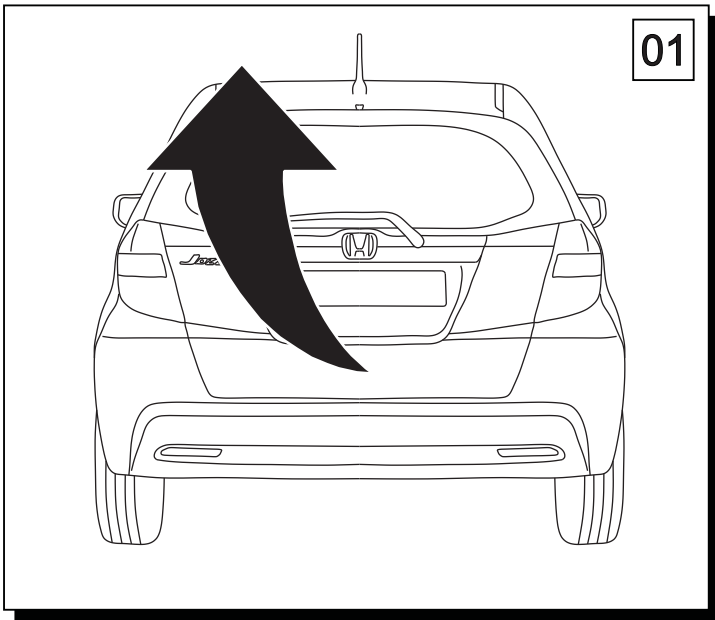
0 km

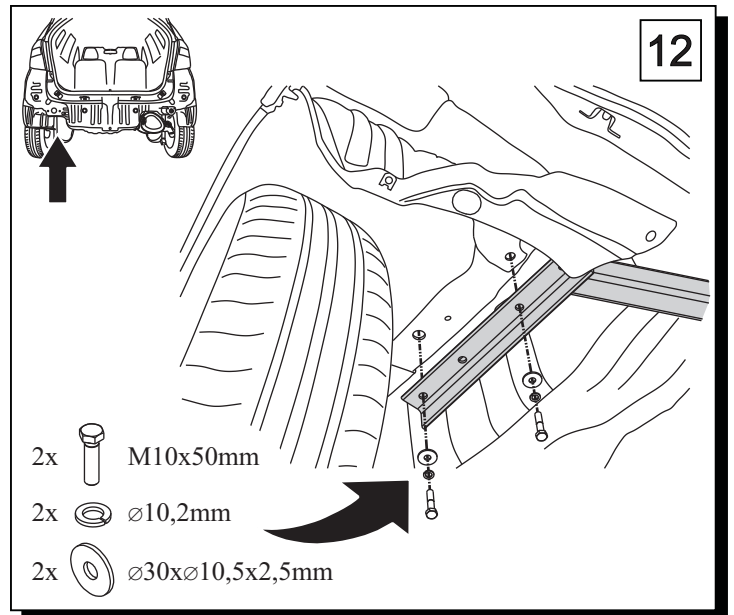
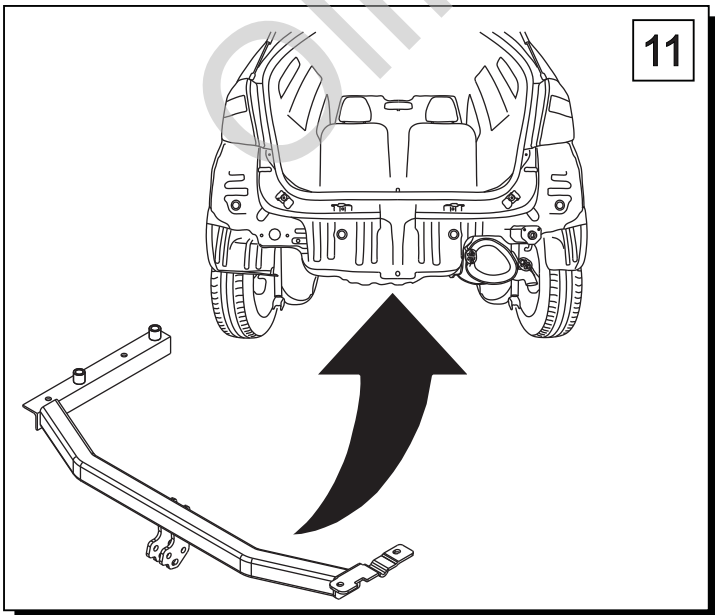
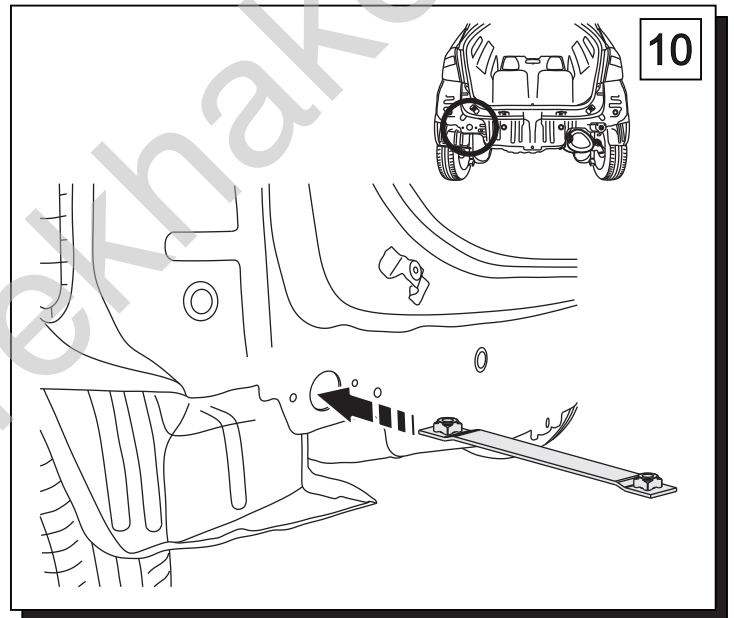
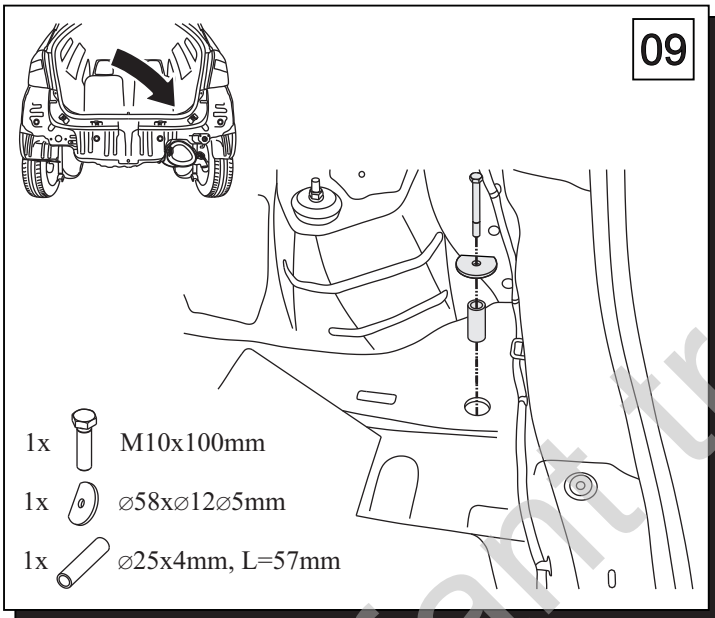
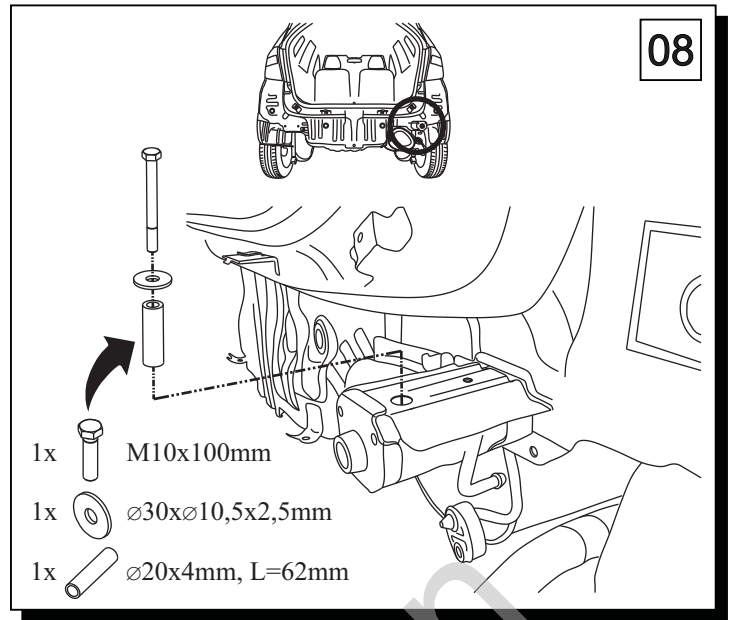
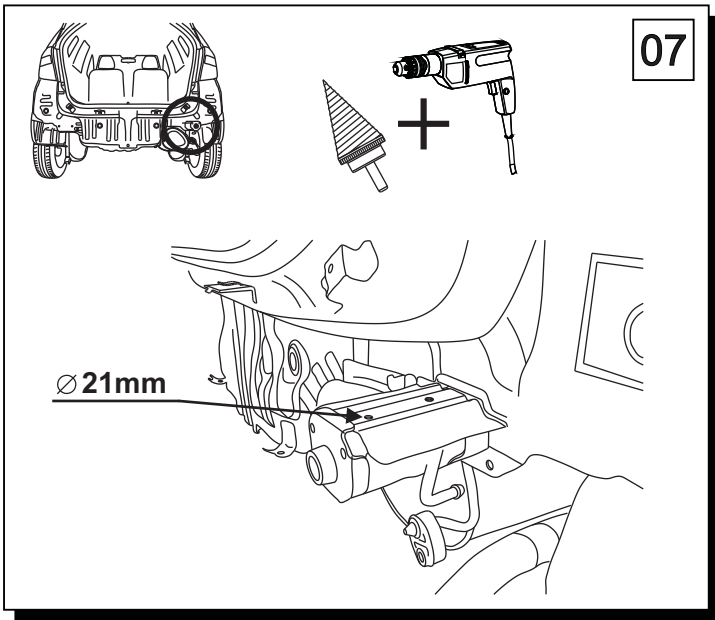


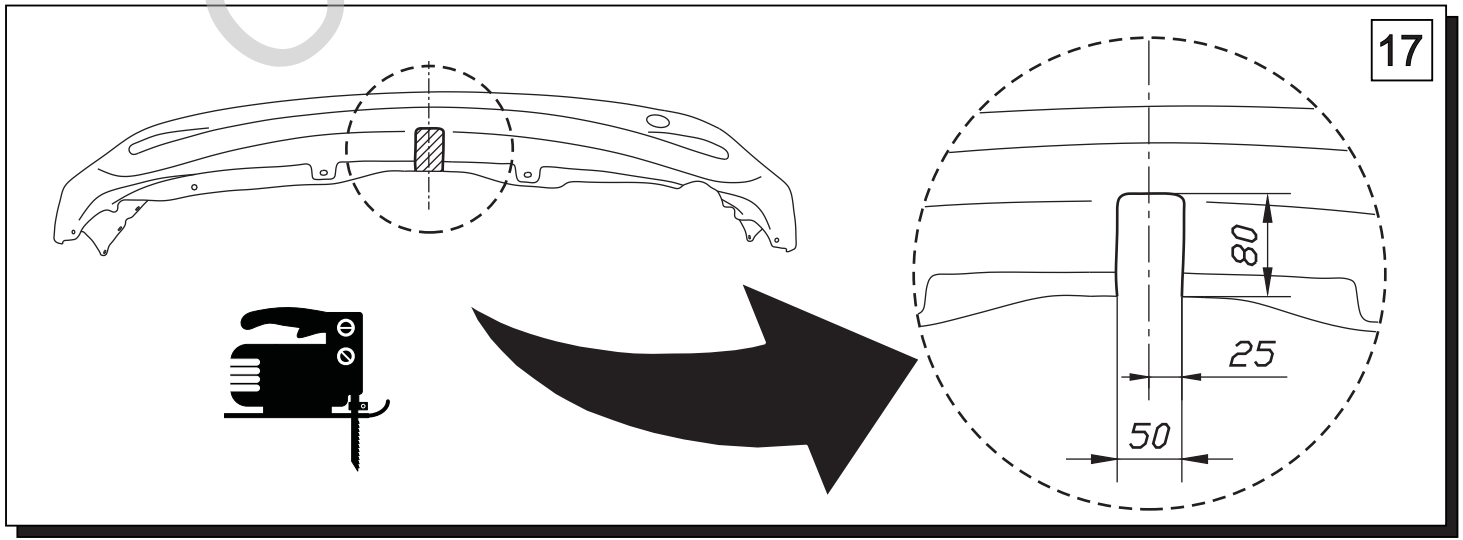
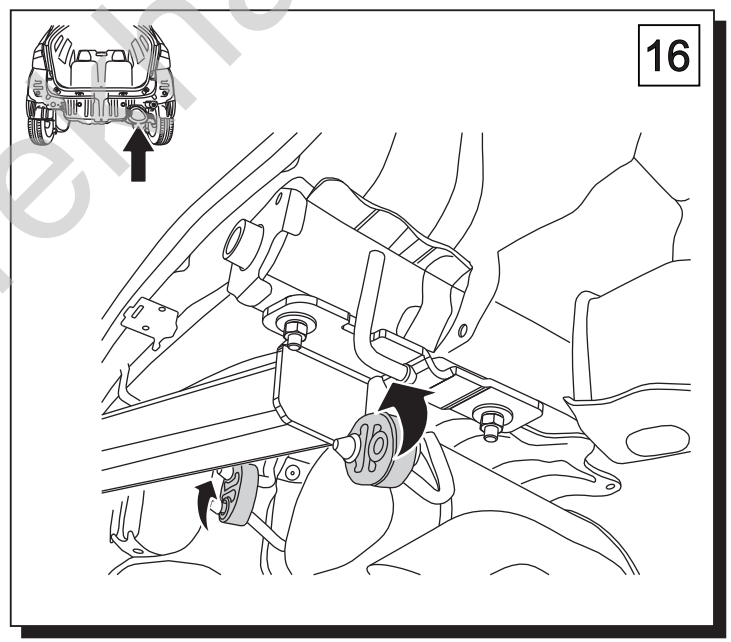
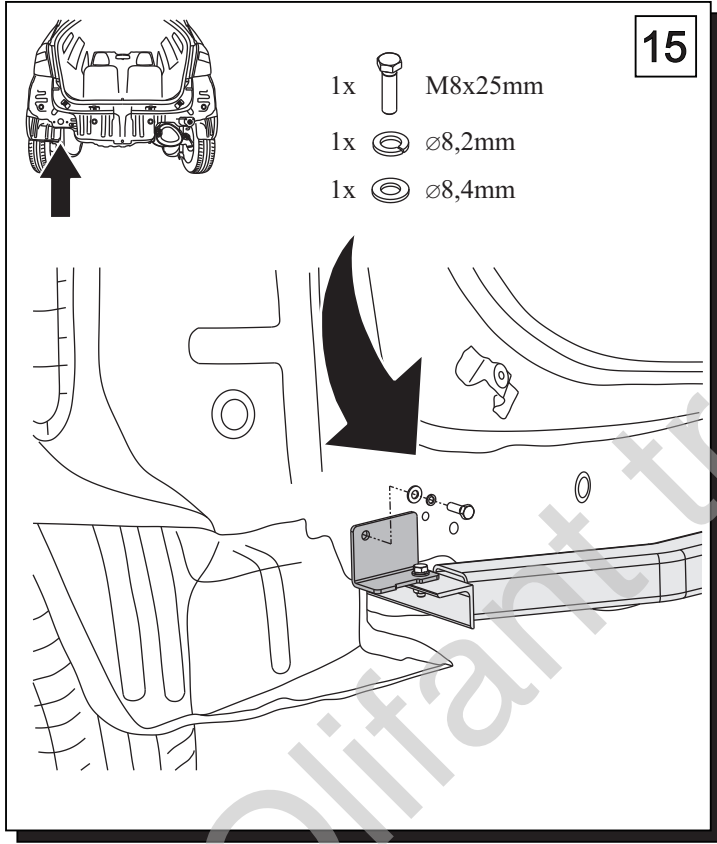
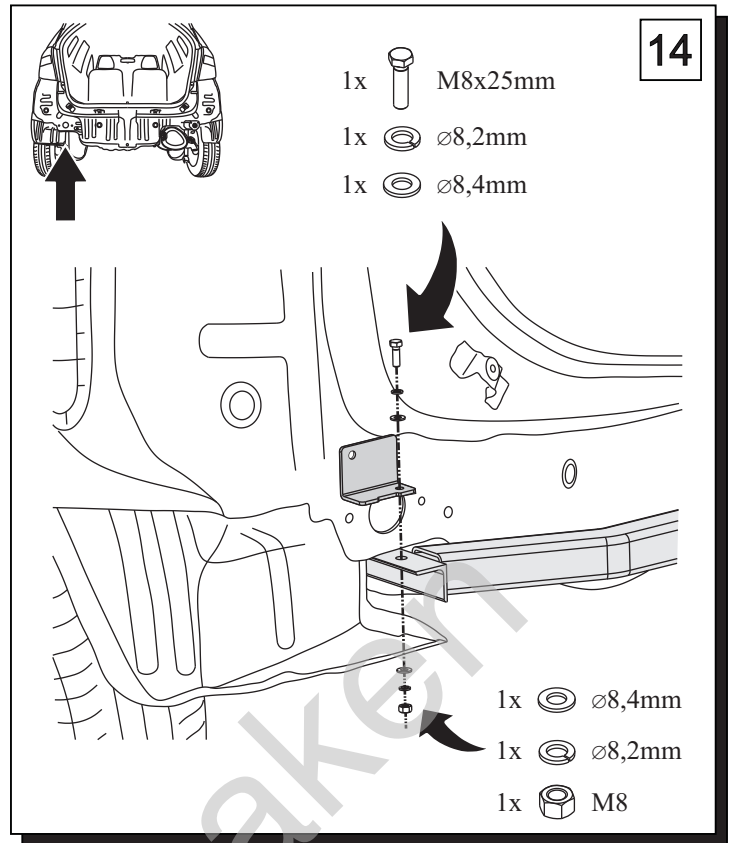
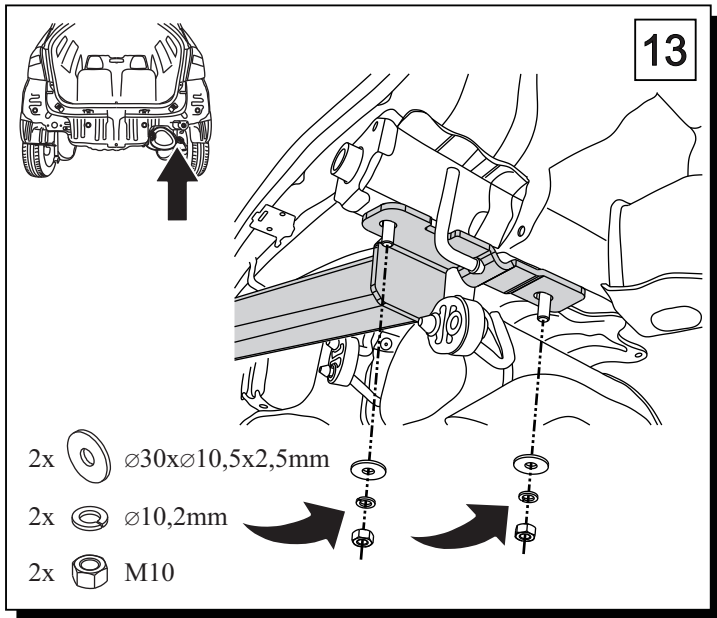
1000 km



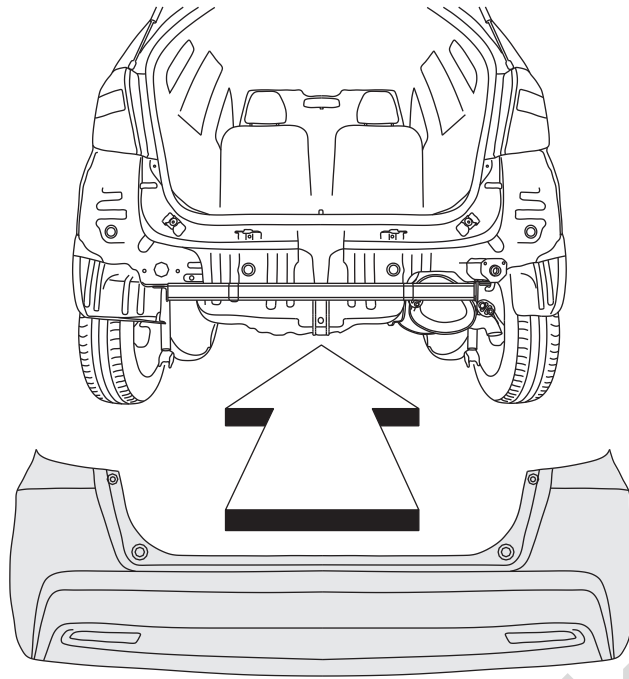
1		x1		10	M12x75	x1
2	 Art.nr-KL1Y35	x1		11	M12x70	x1
3	 Art.nr-BL1Y35	x1		12	M10x100	x2
4		x1		13	M10x50	x2
5		x1		14	M8x25	x2
6	 Ø20x4mm L=62mm	x1		15	Ø 13	x2
7	 Ø25x4mm L=57mm	x1		16	Ø 30xØ10.5x2.5 10 (DIN 9021)	x5
8		x1		17	Ø 8.4	x3
9		x1		18	Ø 12.2	x2
				19	Ø 10.2	x4
				20	Ø 8.2	x3
				21	M12	x2
				22	M10	x2
				23	M8	x1







18



19

