

AUTO-HAK Sp. z o.o.

ul. Słoneczna 16K 76-200 SŁUPSK
POLAND

tel/fax +48 59 8 414 414; +48 59 8 414 413

e-mail: office@autohak.com.pl

www.autohak.com.pl



AUTO-HAK

HONDA CR-V 5D

Cat. no:

Y33



02.2007 → 10.2012



E20-55R-01 4211

D

10,43 kN



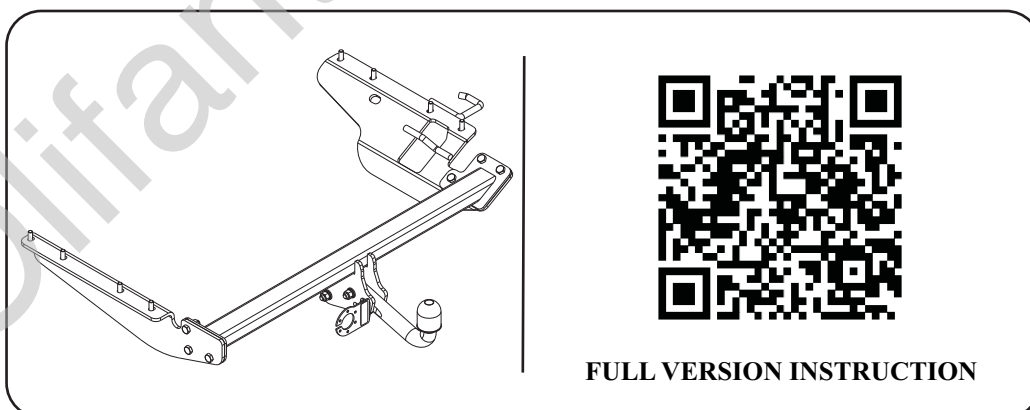
R=2000 kg



S=100 kg



2h



FULL VERSION INSTRUCTION



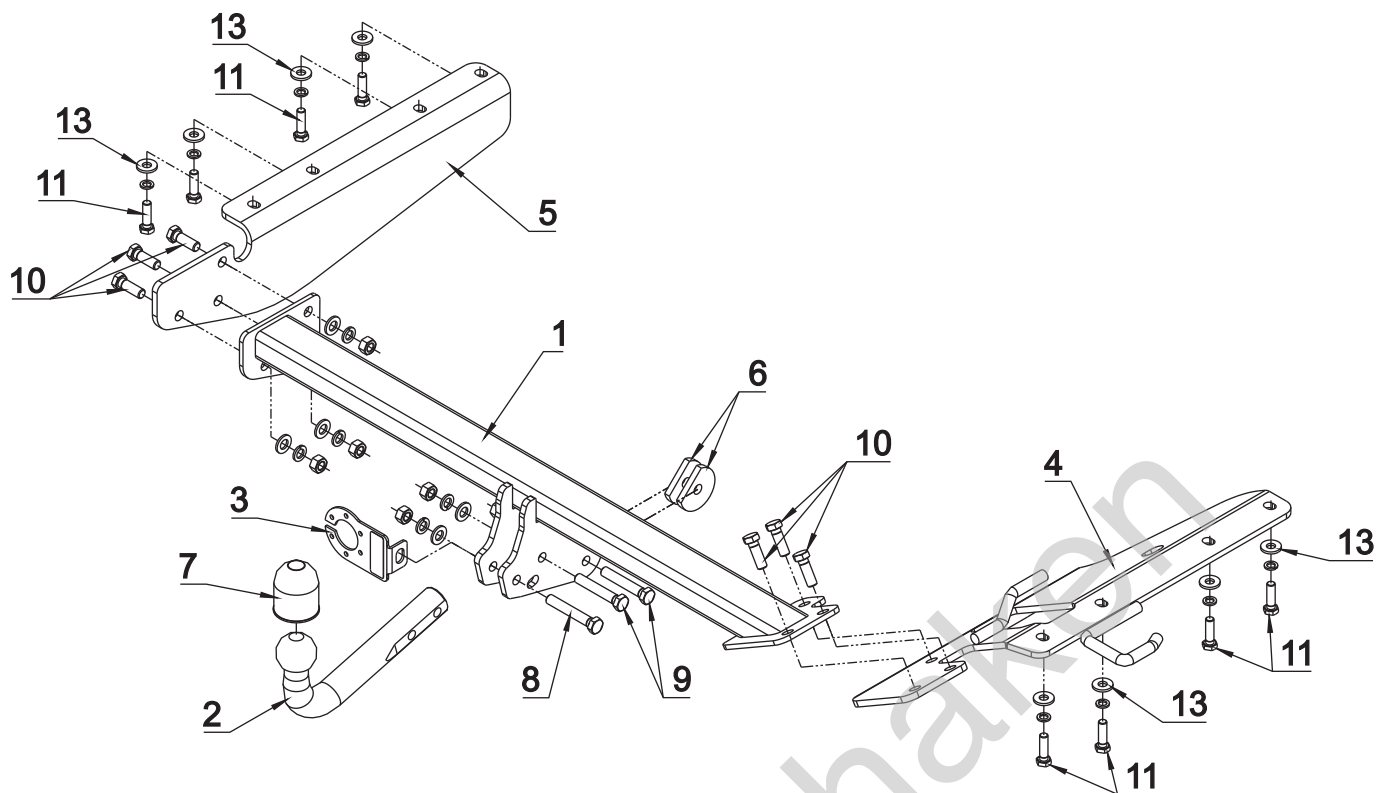
śruba	Nm	M6	M8	M10	M12	M14	M16
klasa 8.8		9,9	24	48	83	132	200
klasa 10.9		14	34	67	117	185	285

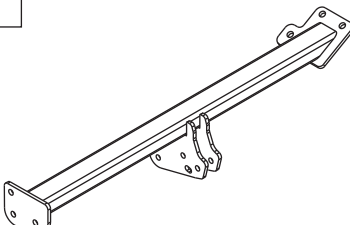





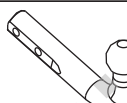

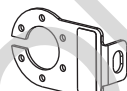


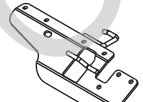

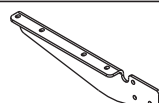

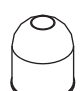


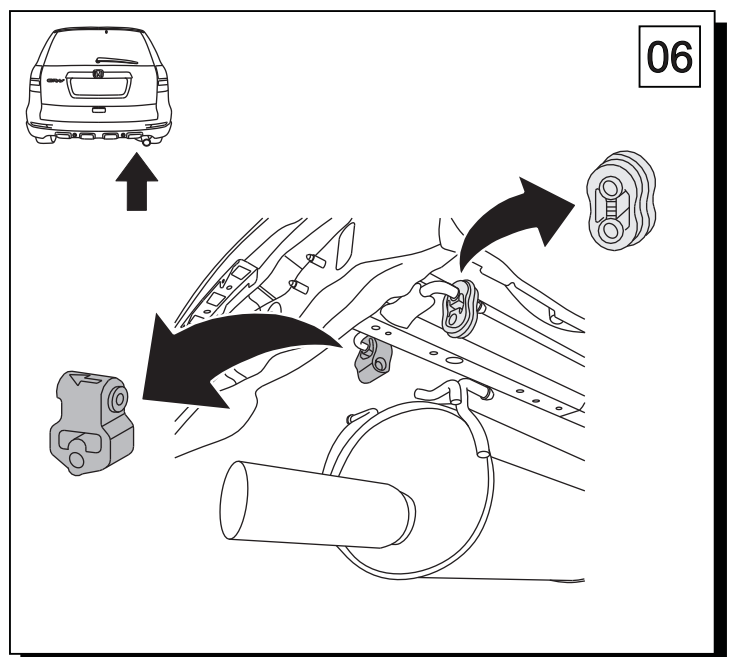
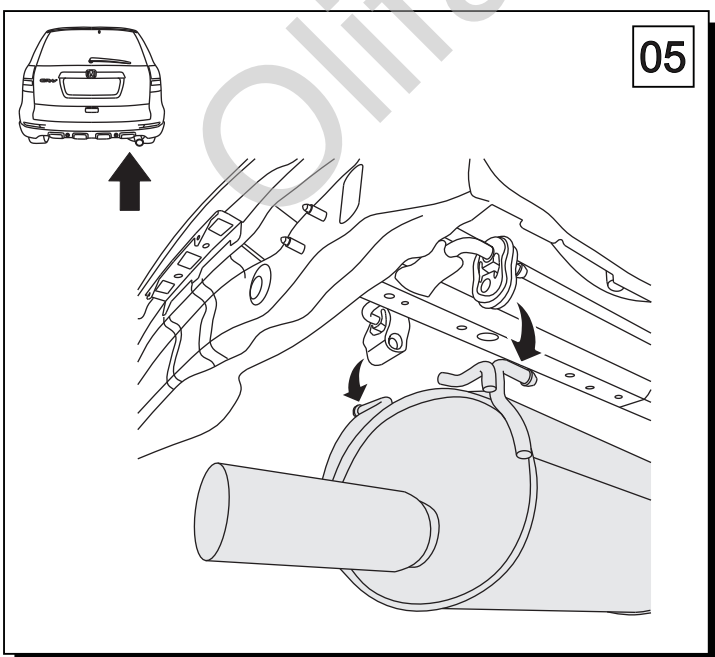
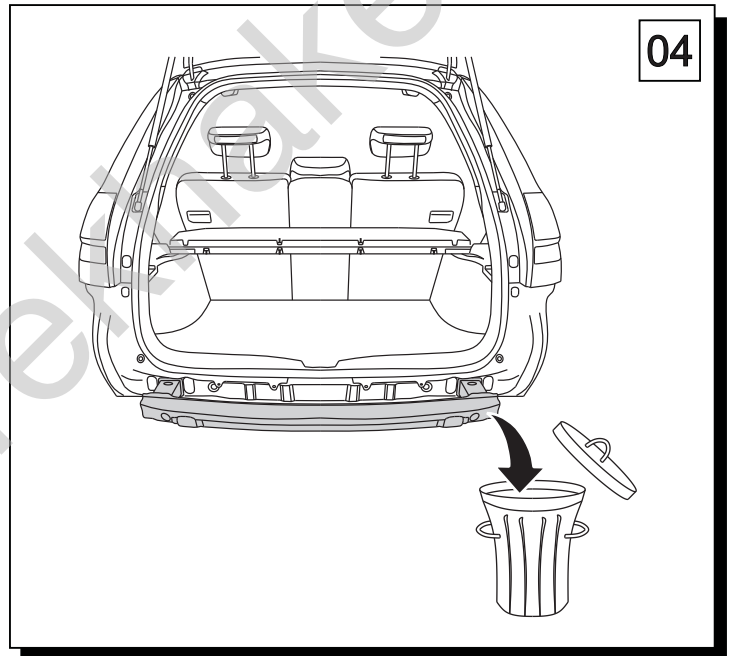
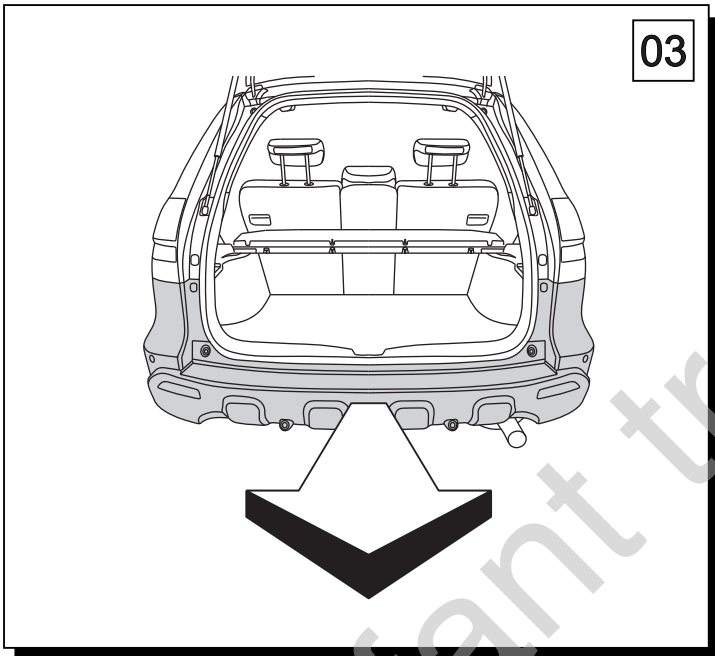
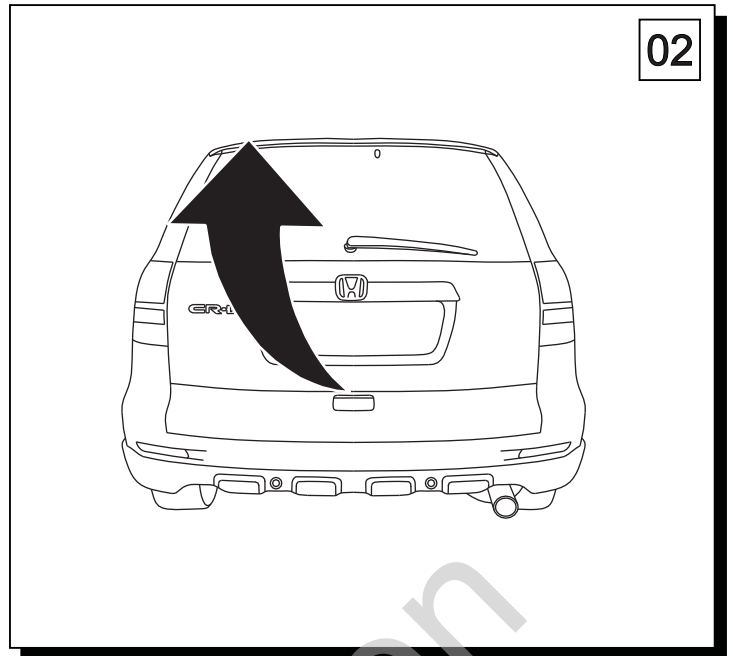
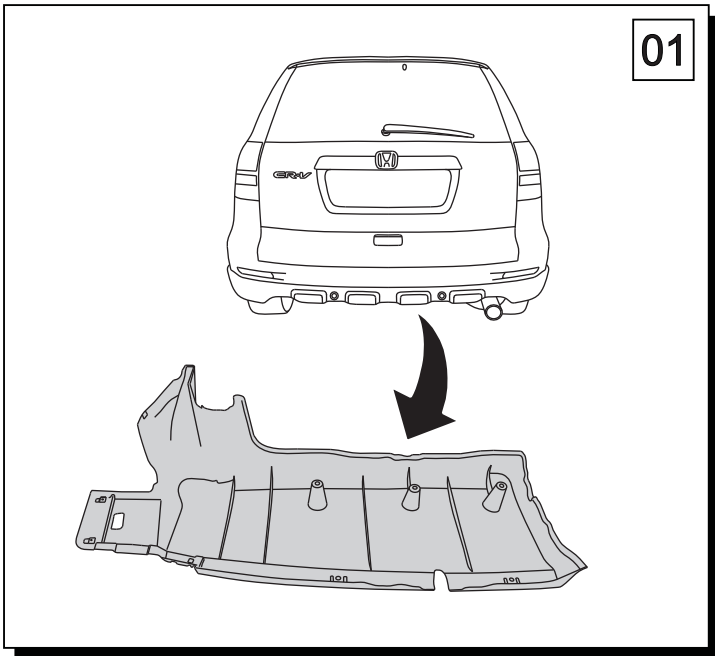
0 km

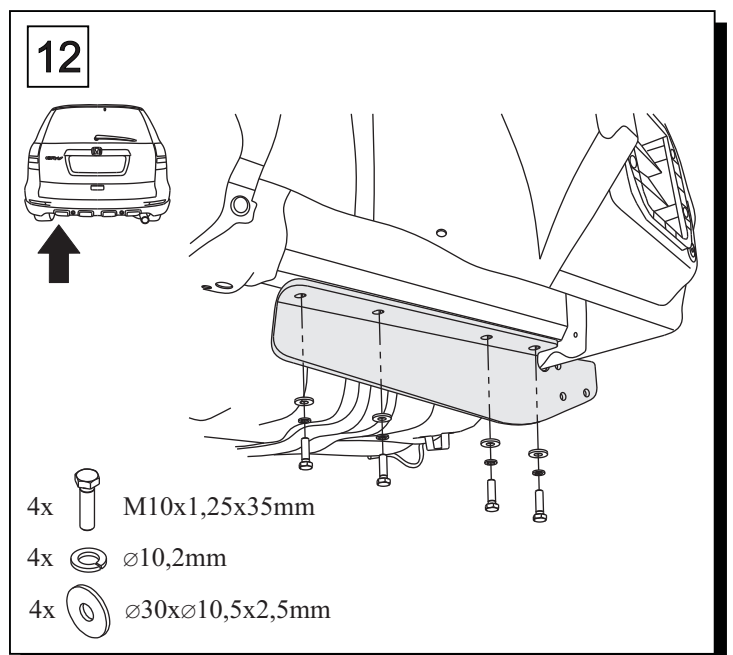
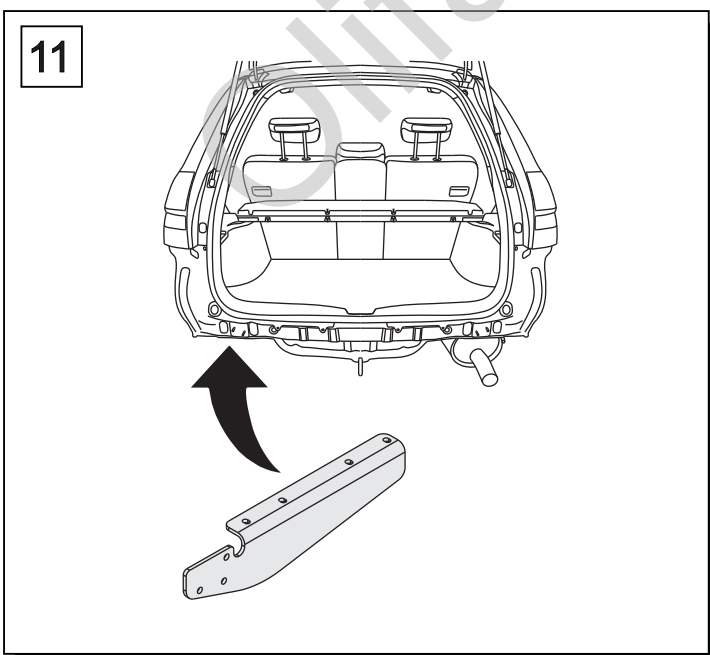
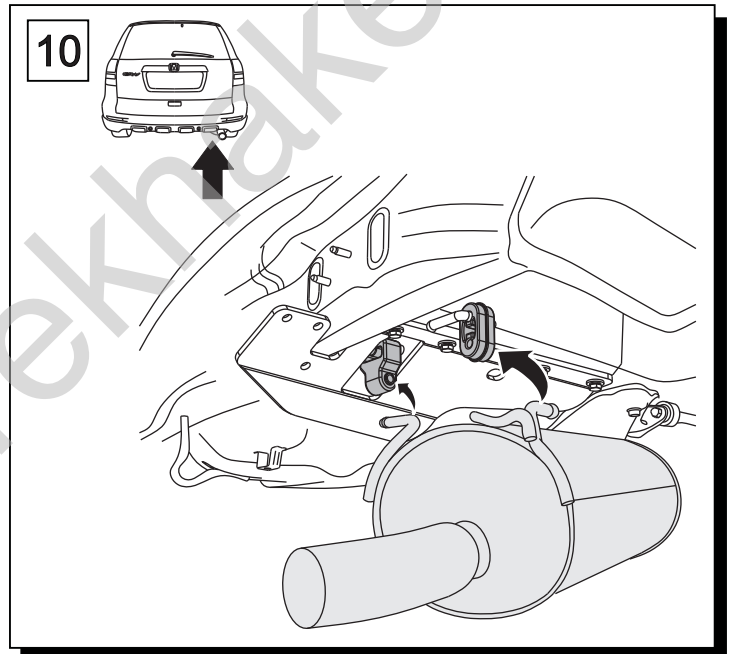
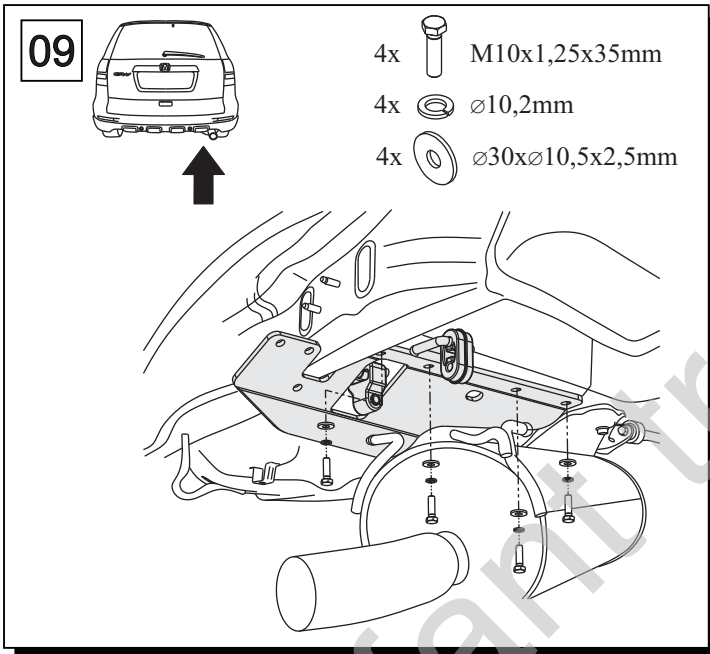
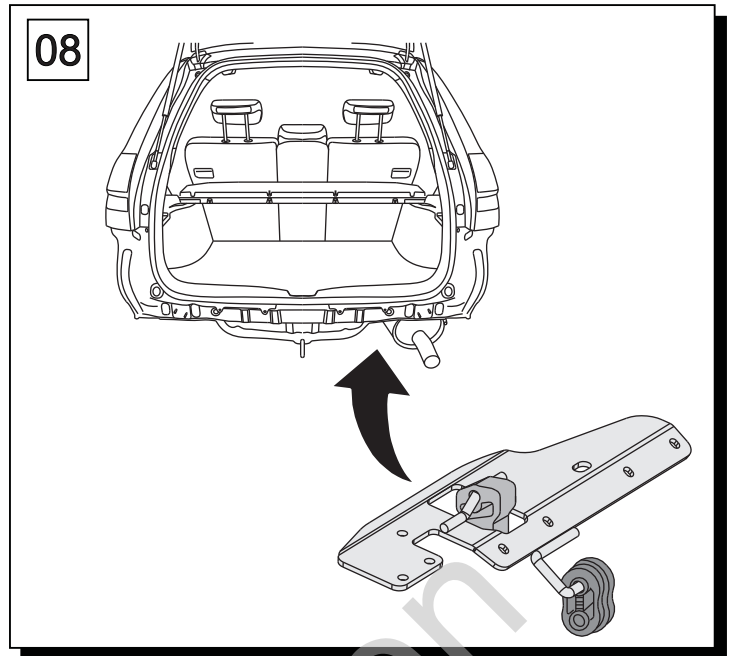
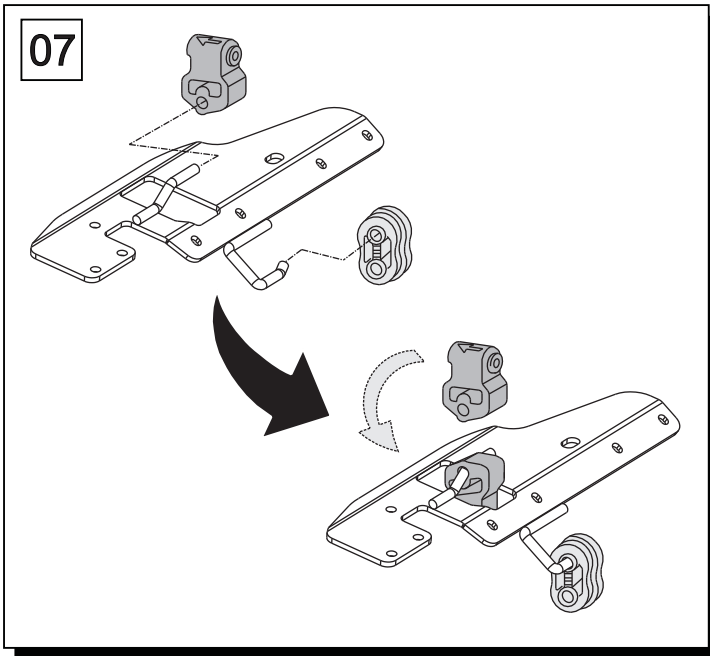


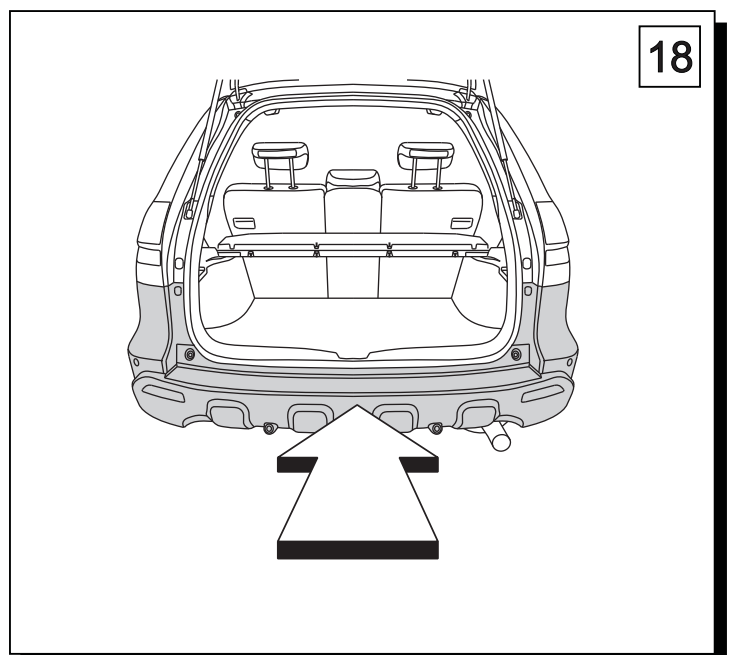
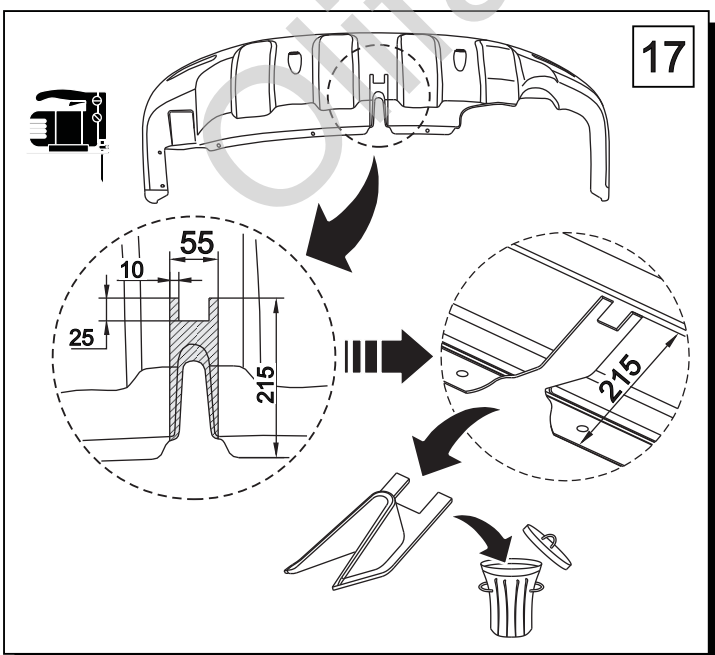
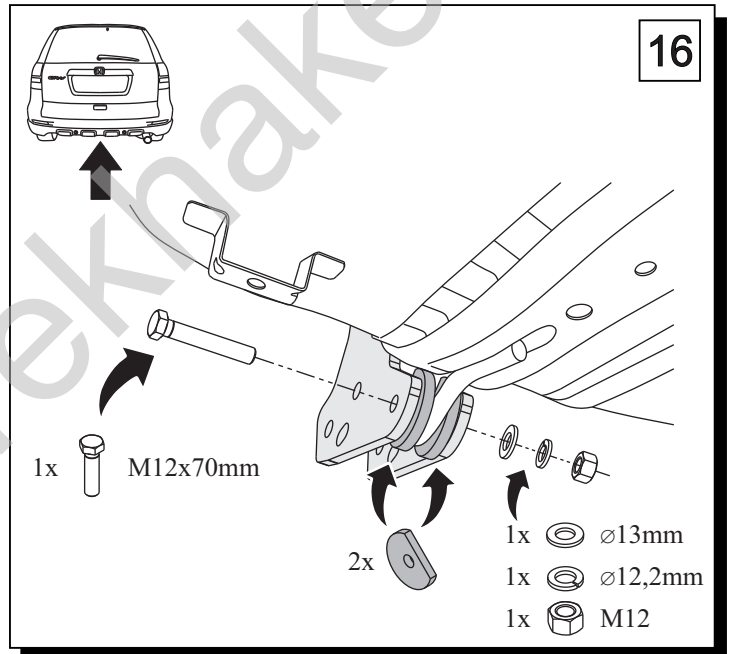
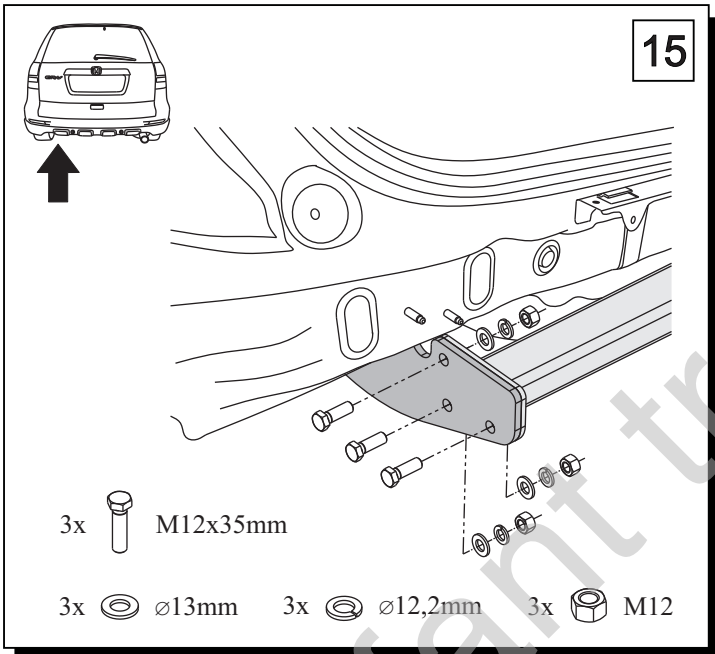
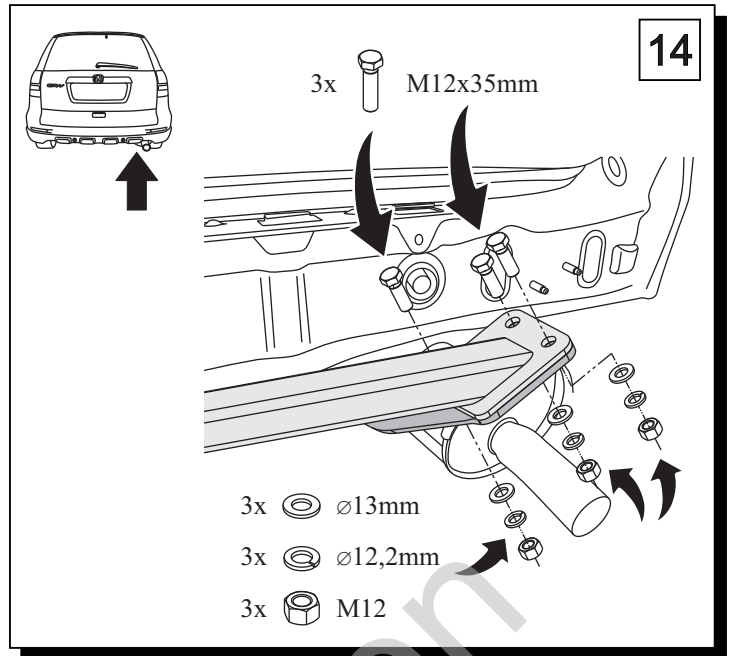
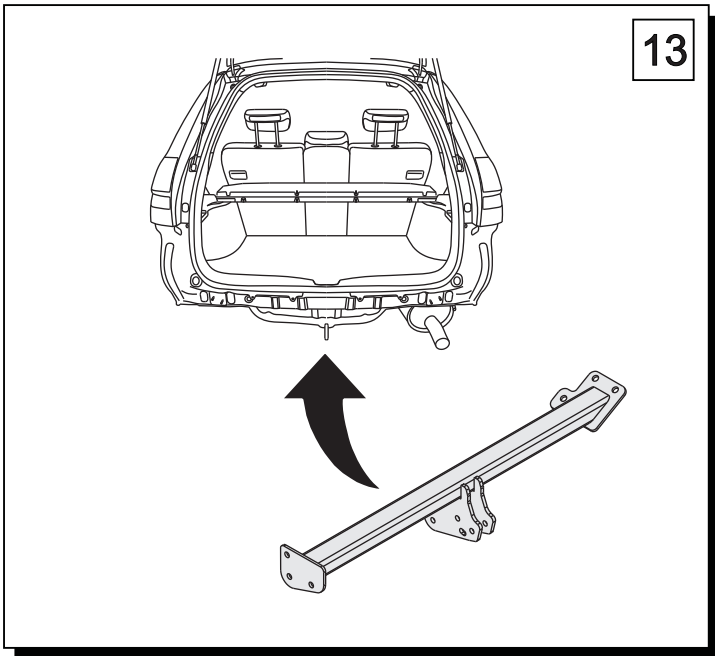
1000 km



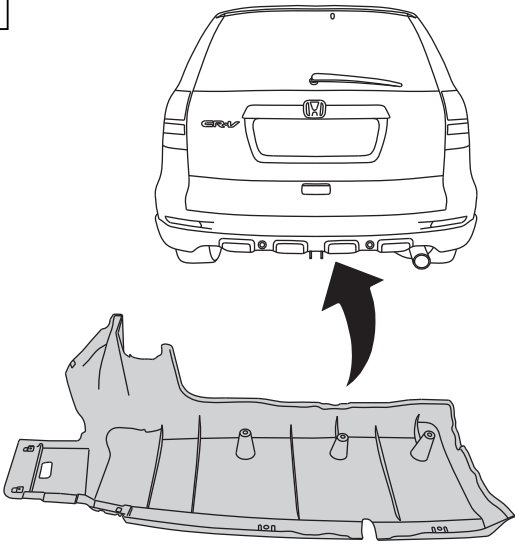
1		x1		8	M12x75	x1
				9	M12x70	x2
				10	M12x35	x6
				11	M10x1.25x35	x8
				12	∅ 13	x9
2		x1 Art.nr-KL1Y33		13	∅ 30x∅10.5x2.5 10 (DIN 9021)	x8
3		x1 Art.nr-BL1Y33		14	∅ 12.2	x9
				15	∅ 10.2	x8
4		x1		16	M12	x9
5		x1				
6		x2				
7		x1				



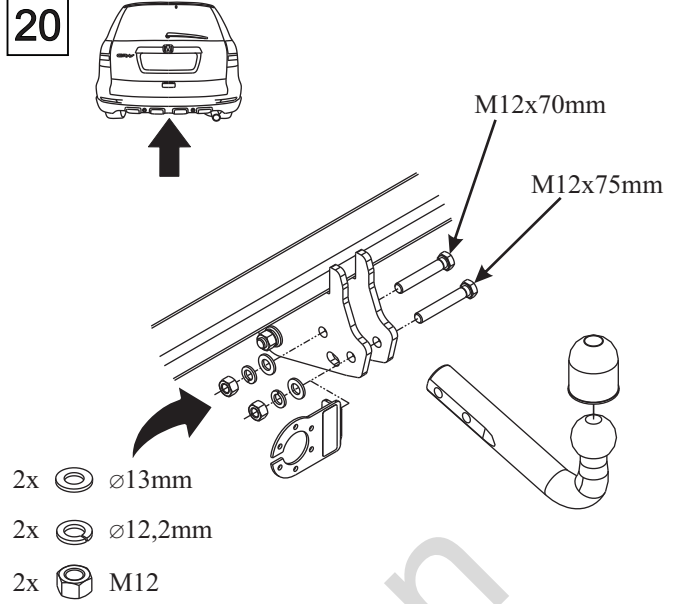




19



20



Olifant trekhaken