

PPUH AUTO-HAK Sp.J.

Henryk i Zbigniew Nejman
ul. Słoneczna 16K 76-200 SŁUPSK
POLAND

tel/fax +48 59 8 414 414; +48 59 8 414 413

e-mail: office@autohak.com.pl

www.autohak.com.pl



AUTO-HAK



HONDA CIVIC 5D

Cat. no:

Y32



01.2006 → 12.2011

e20

e20*94/20*0078*00



1,5h

D

8,20 kN



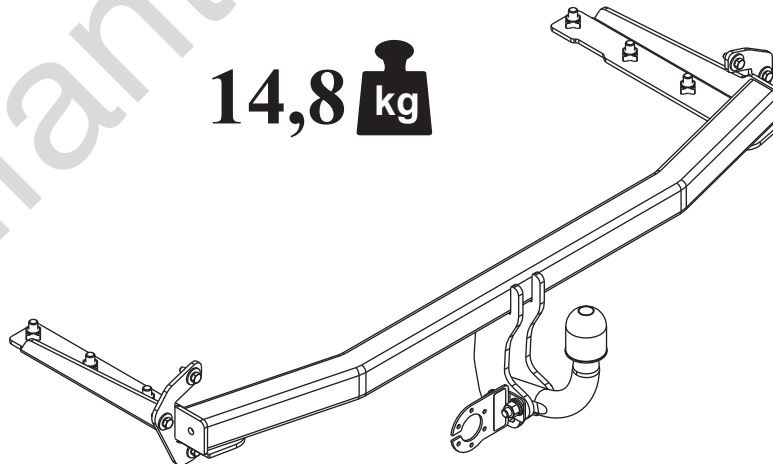
R=1500 kg



S=75 kg



14,8 kg



M6 - 8,5 Nm
M10 - 41 Nm
M14 - 112 Nm

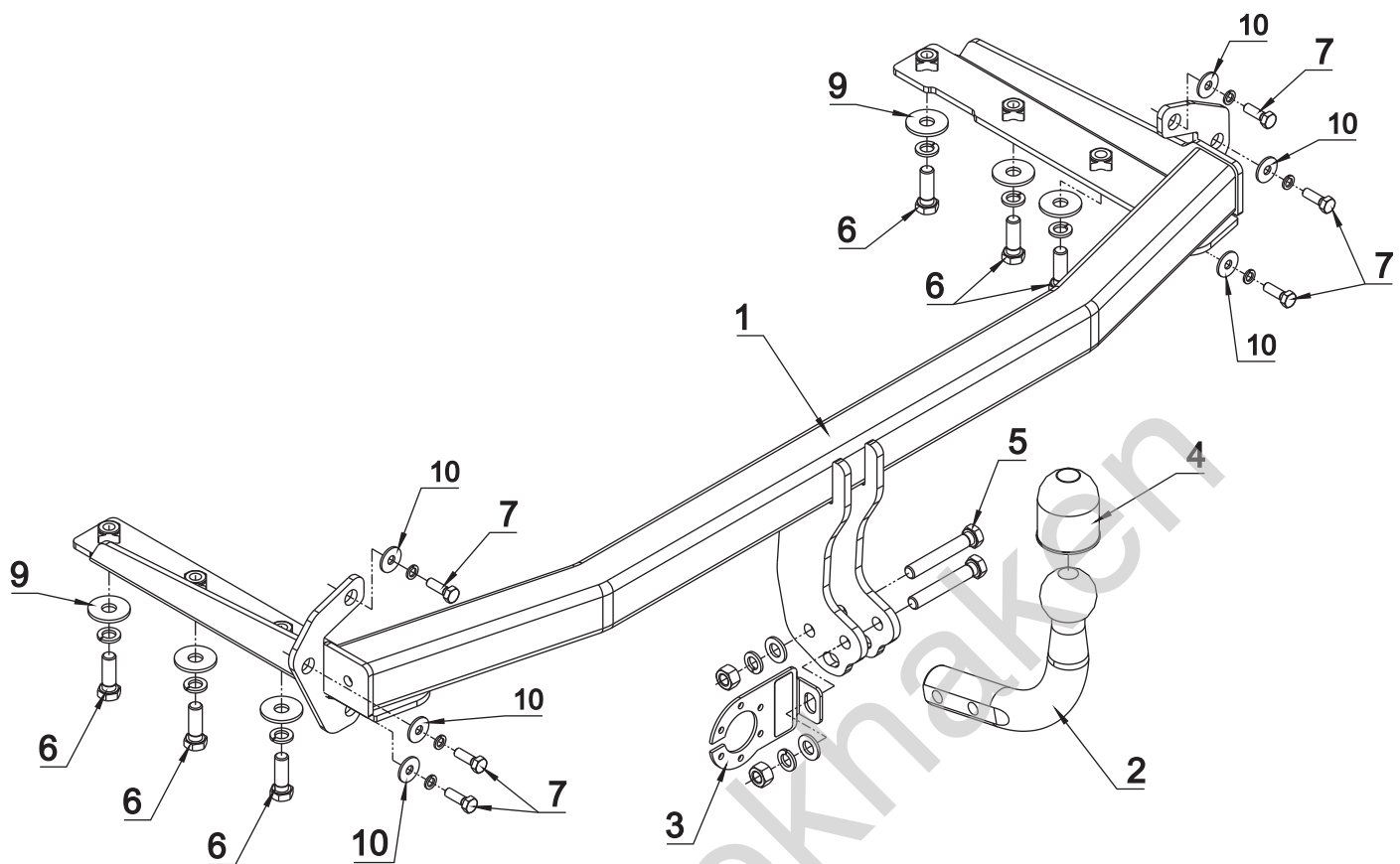
M8 - 20 Nm
M12 - 70 Nm
M16 - 170 Nm

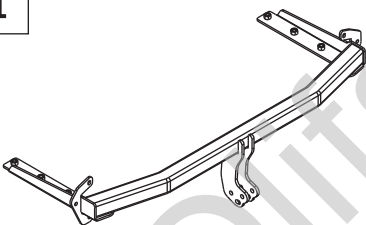
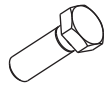
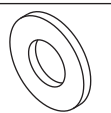

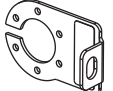

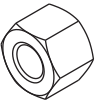


0 km →

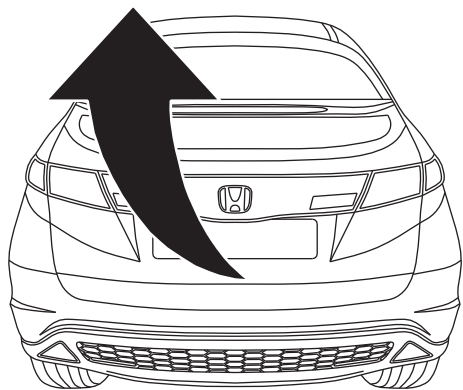


1000 km

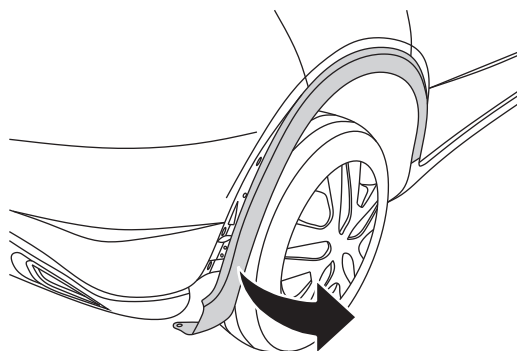


	x 1		5 M12x75	x 2
			6 M12x35	x 6
			7 M8x25	x 6
			8 \varnothing 13	x 2
			9 \varnothing 37x \varnothing 13x3 13 (DIN 9021)	x 6
2 	x 1 Art.nr-KL1Y32		10 \varnothing 24x \varnothing 8.5x2 8 (DIN 9021)	x 6
3 	x 1 Art.nr-BL1Y32		11 \varnothing 12.2	x 8
4 	x 1		12 \varnothing 8.2	x 6
			13 M12	x 2

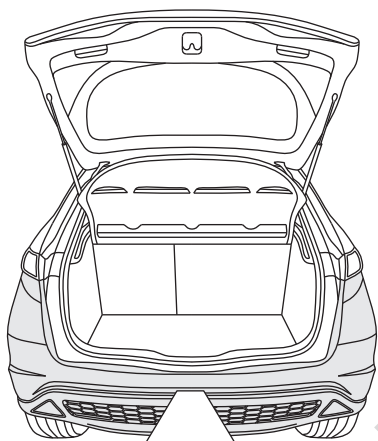
01



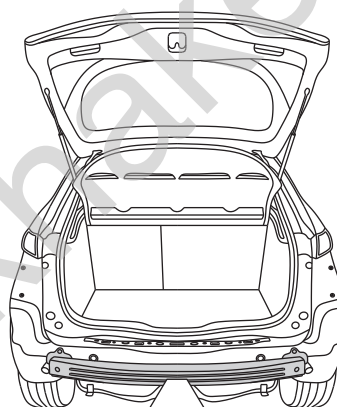
02



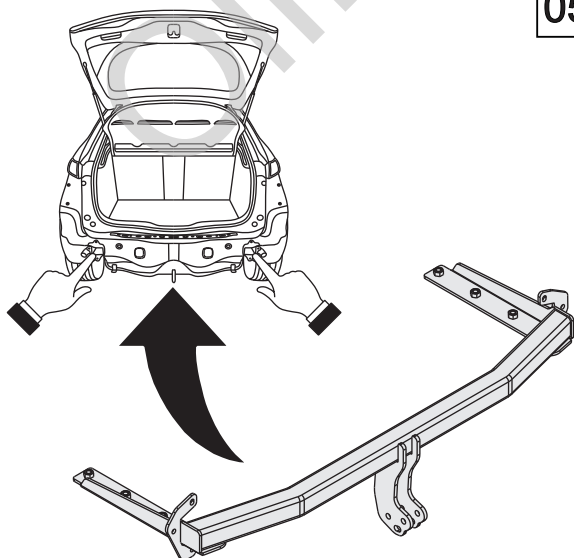
03



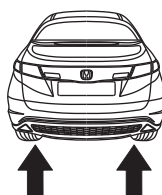
04






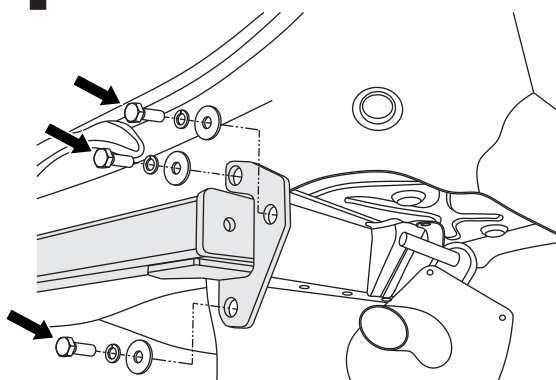
05



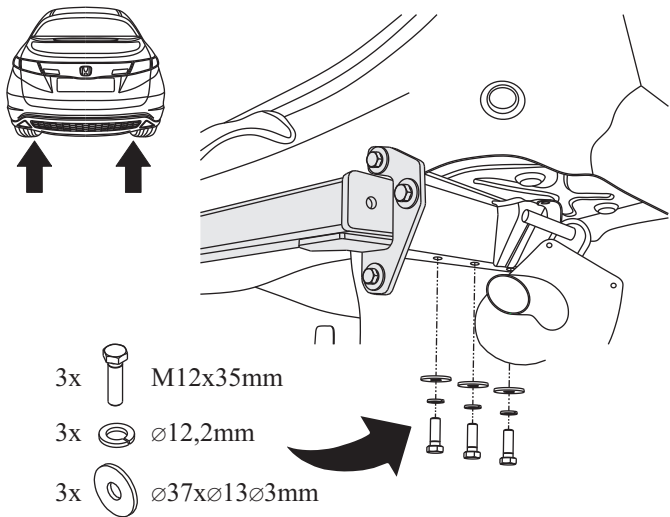
06



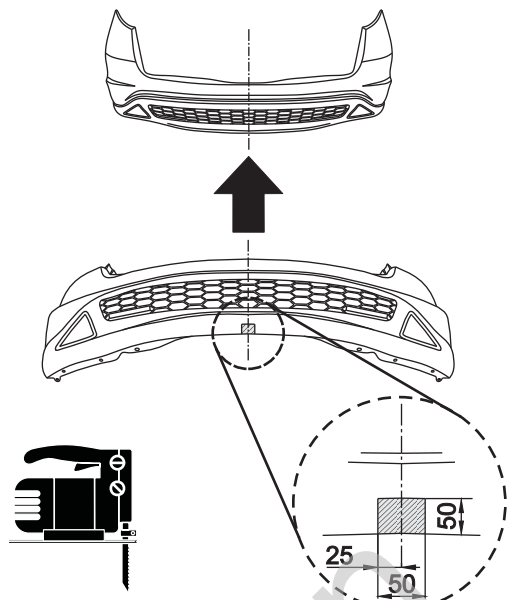
- 3x  M8x25mm
- 3x  $\varnothing 8,2\text{mm}$
- 3x  $\varnothing 24 \times \varnothing 8,4 \times 2\text{mm}$



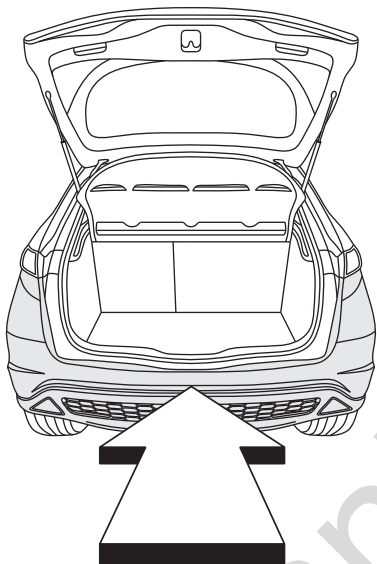
07



08



09



10

