

PPUH AUTO-HAK Sp.J.

Henryk i Zbigniew Nejman
ul. Słoneczna 16K 76-200 SŁUPSK
POLAND

tel/fax +48 59 8 414 414; +48 59 8 414 413

e-mail: office@autohak.com.pl

www.autohak.com.pl



AUTO-HAK



HONDA JAZZ
5D, VAN

Cat. no:

Y27A



01.2002 → 10.2008



E20-55R-01 4210



2h



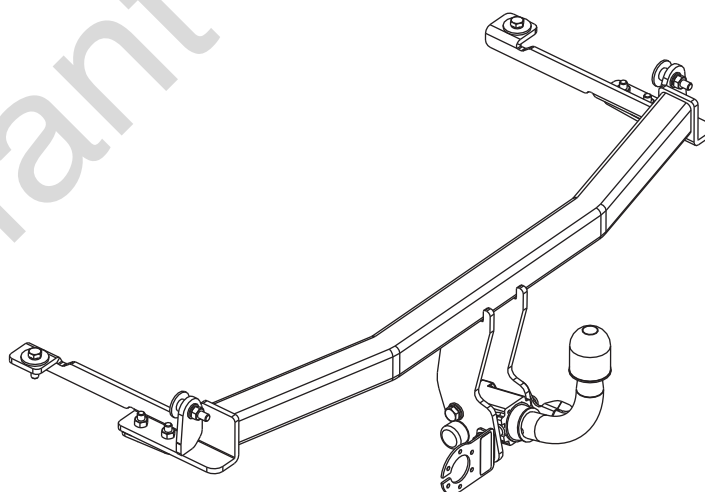
5,84 kN



R=1000 kg



S=70 kg



M6 - 11 Nm
M10 - 50 Nm
M14 - 138 Nm

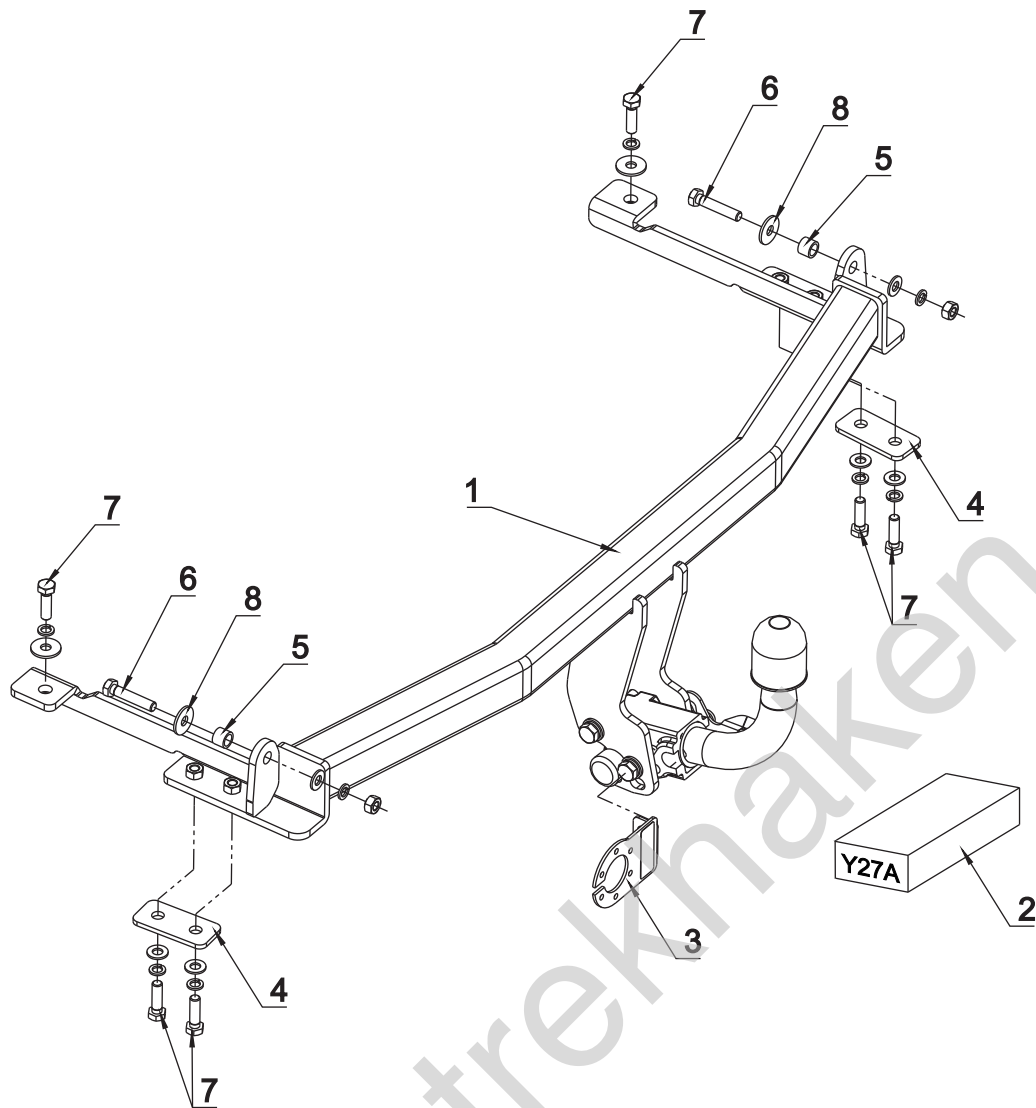
M8 - 25 Nm
M12 - 87 Nm
M16 - 210 Nm

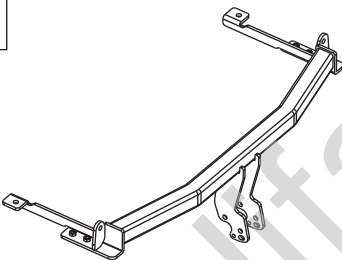
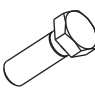

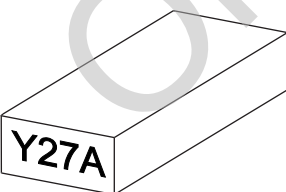


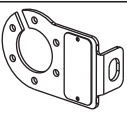
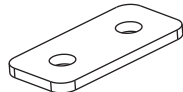



0 km →



1000 km



1 	x1		6 M10x50	x2	
				7 M10x35	x6
				8 \varnothing 30x \varnothing 10.5x2.5 10 DIN 9021	4
			9 \varnothing 10.5	x6	
2  Art.nr-KL1Y27A	x1		10 \varnothing 10.2	x8	
				11 M10	x2
3 	x1	Art.nr-BL1Y27A			
4 	x2				
5  \varnothing 17,2x2,35mm L=13mm	x2				

