

PPUH AUTO-HAK Sp.J.

Henryk i Zbigniew Nejman
ul. Słoneczna 16K 76-200 SŁUPSK
POLAND


tel/fax +48 59 8 414 414; +48 59 8 414 413


e-mail: office@autohak.com.pl


www.autohak.com.pl




AUTO-HAK


 **CHEVROLET
CRUZE Station Wagon
KOMBI**

 **04.2012 →**


 **E20-55R-01 3528**

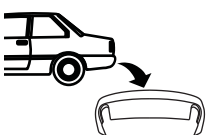
D **9,6 kN**


 **R=1800 kg**

 **S=75 kg**


Cat. no:
X26A

 **2h**





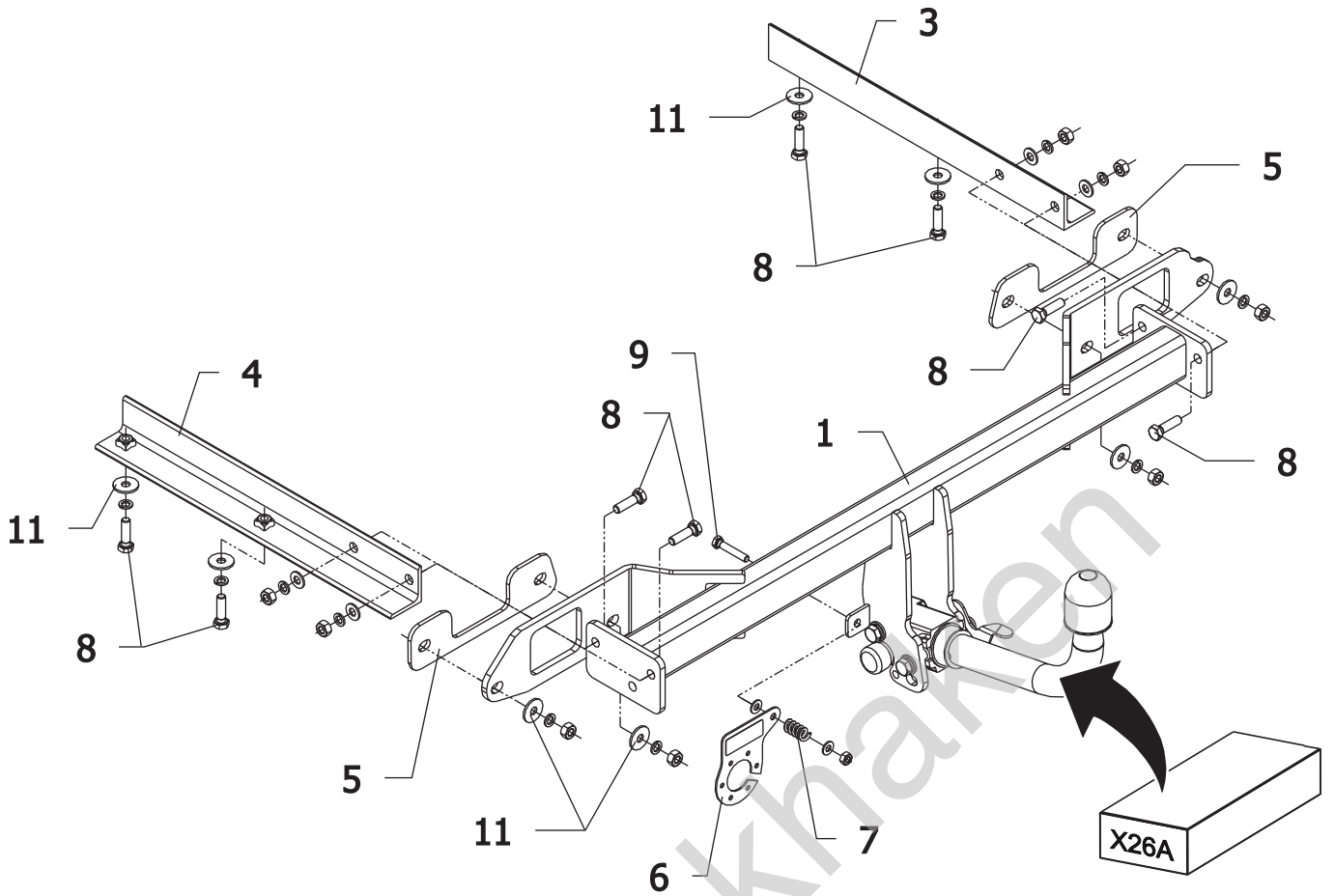


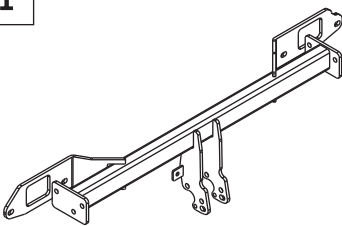




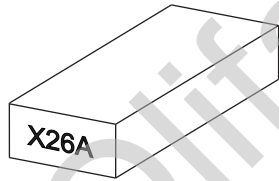



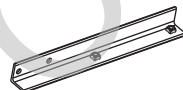
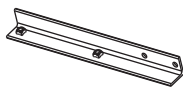



20,6 kg



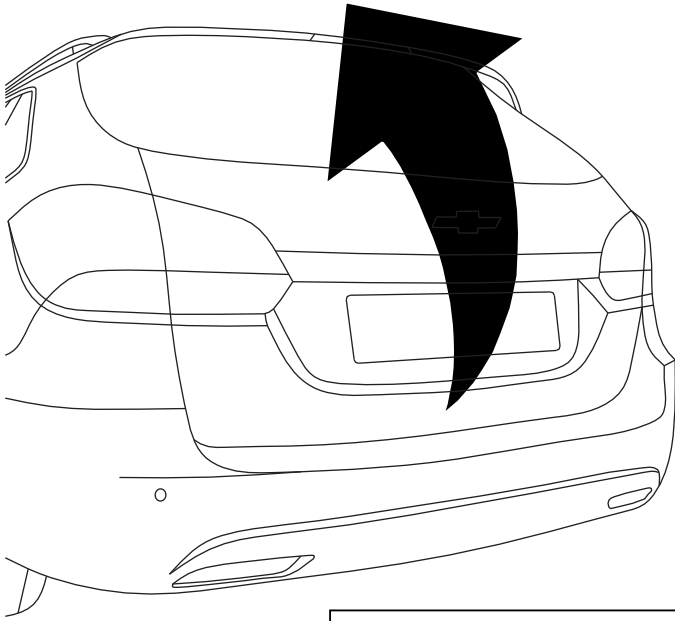
| | | | | | |
|------------|---|--------|------------|---|--------|
| M6 | - | 11 Nm | M8 | - | 25 Nm |
| M10 | - | 50 Nm | M12 | - | 87 Nm |
| M14 | - | 138 Nm | M16 | - | 210 Nm |

 **0 km** →  **1000 km**

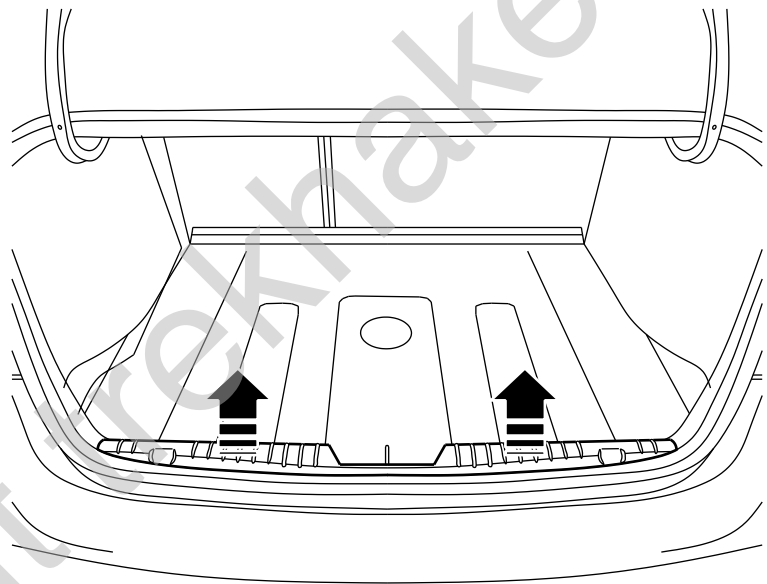


| | | | | | |
|-------------------------------------------------------------------------------------|----------------|-------------------------------------------------------------------------------------|-----|-------------------------------|-----|
|  | x1 |  | 8 | M10x35 | x8 |
| | |  | 9 | M8x45 | x1 |
| | |  | 10 | ∅ 10.5 | x4 |
| | |  | 11 | ∅ 30x∅10.5x2.5 10 DIN 9021 | 8 |
|  | x1 |  | 12 | ∅ 8.4 | x2 |
| | |  | 13 | ∅ 10.2 | x12 |
|  | Art.nr-KL1X26A | 14 | M10 | x8 | |
| | | 15 | M8 | x1 | |
|  | x1 | | | | |
|  | x1 | | | | |
|  | x2 | | | | |
|  | x1 | | | | |
| | Art.nr-BL1X26A | | | | |
|  | x1 | | | | |

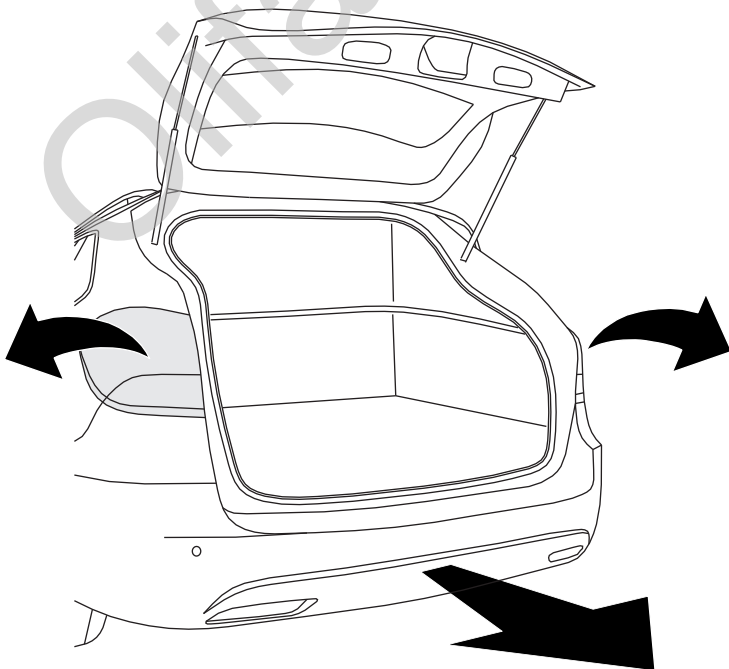
01

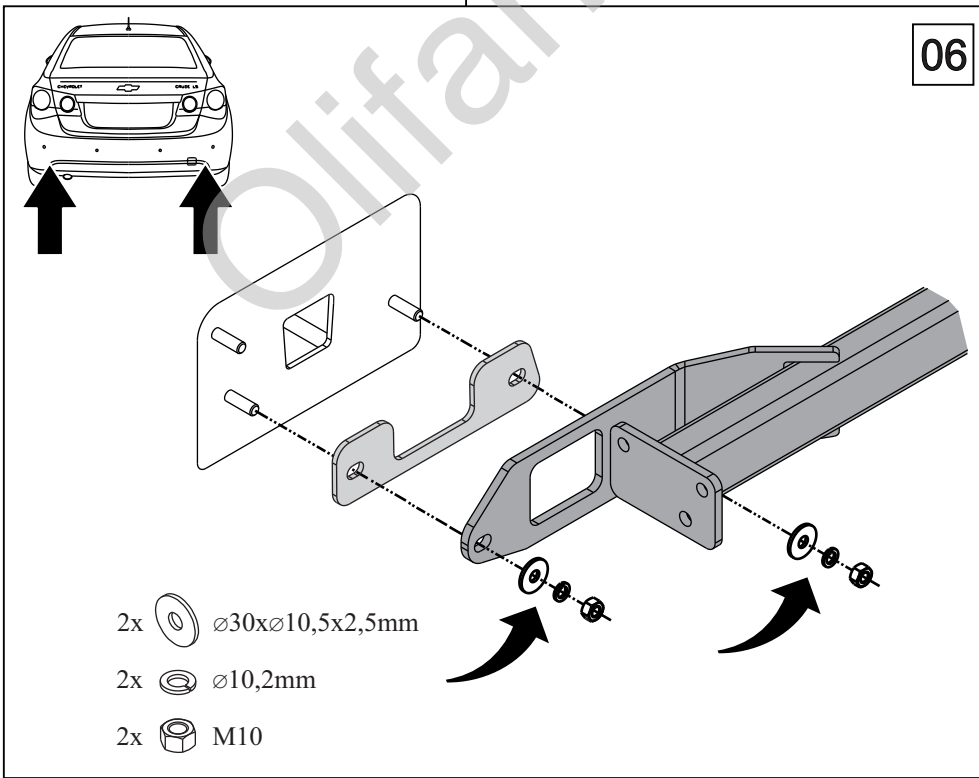
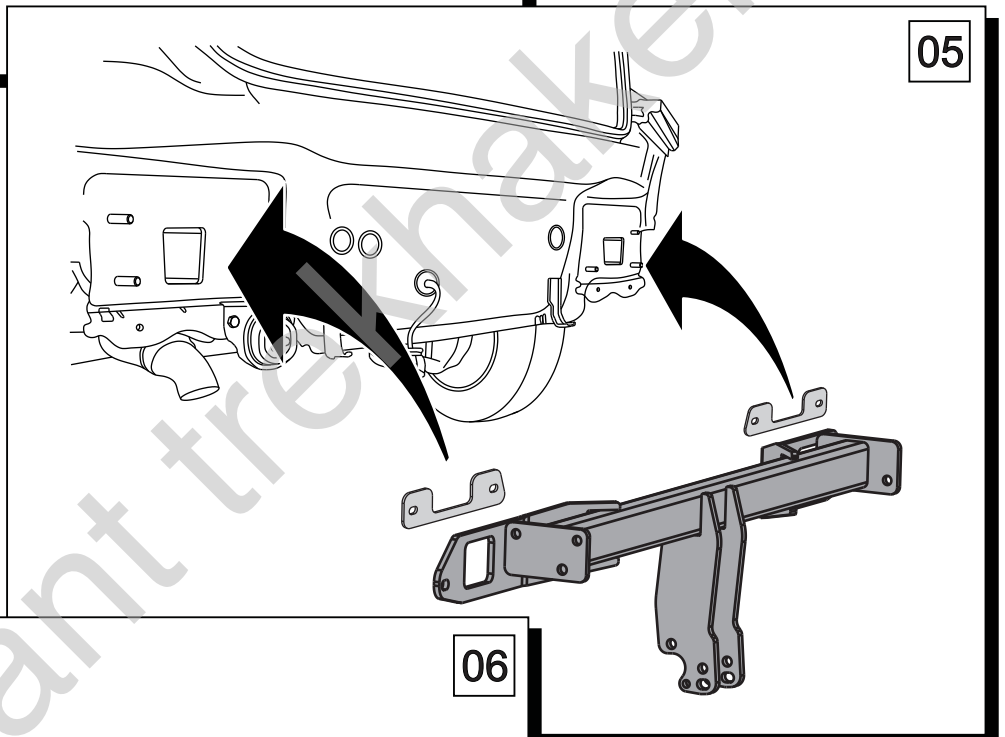
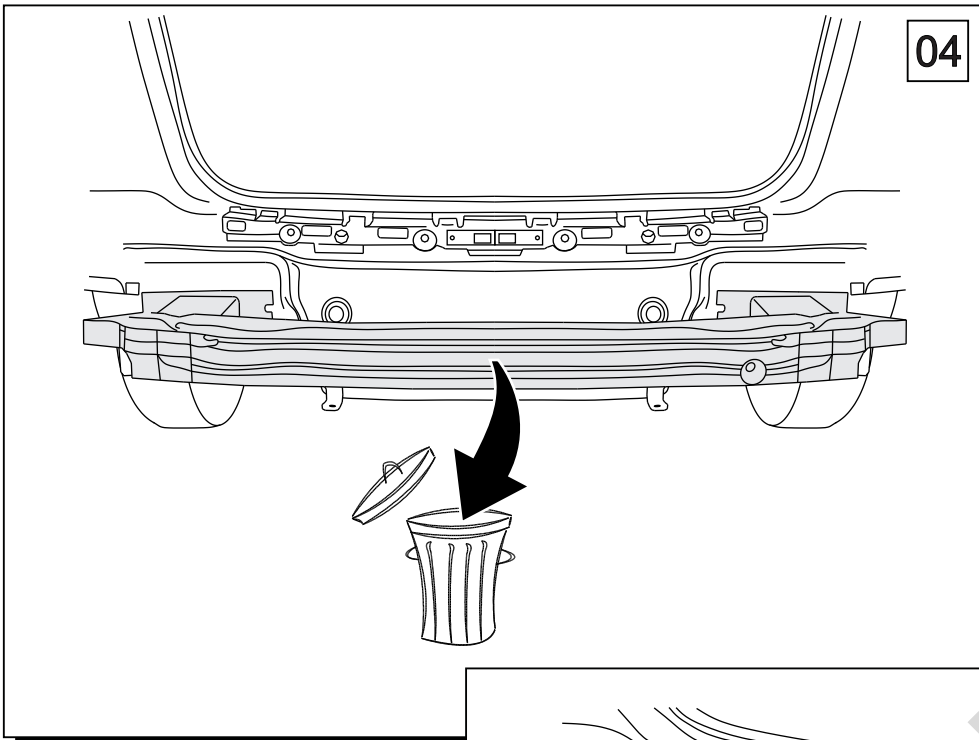


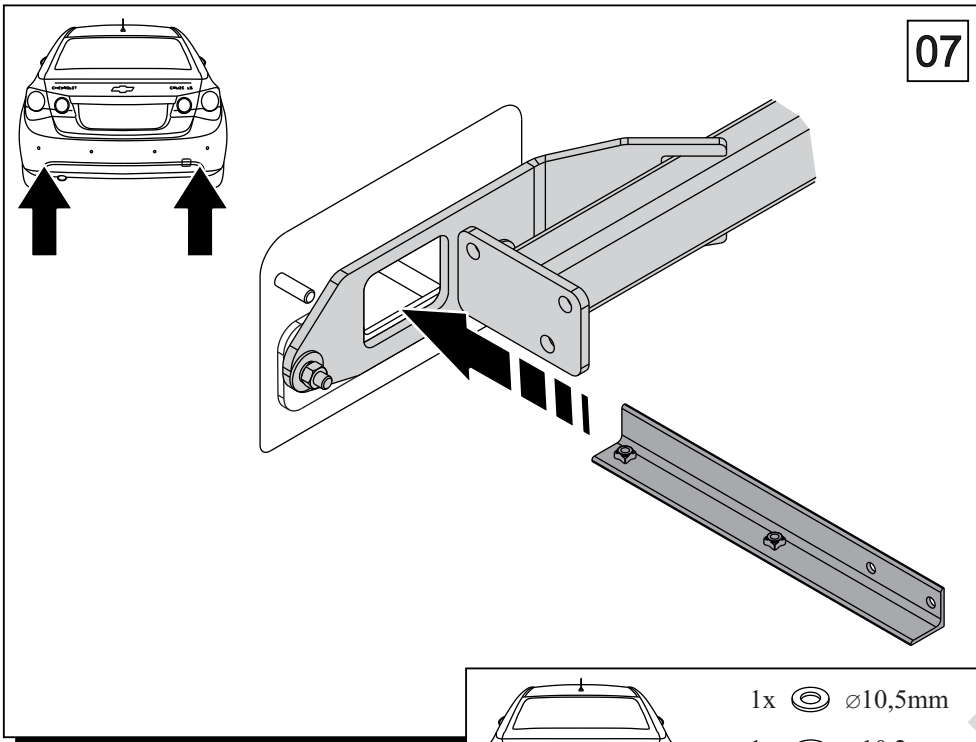
02



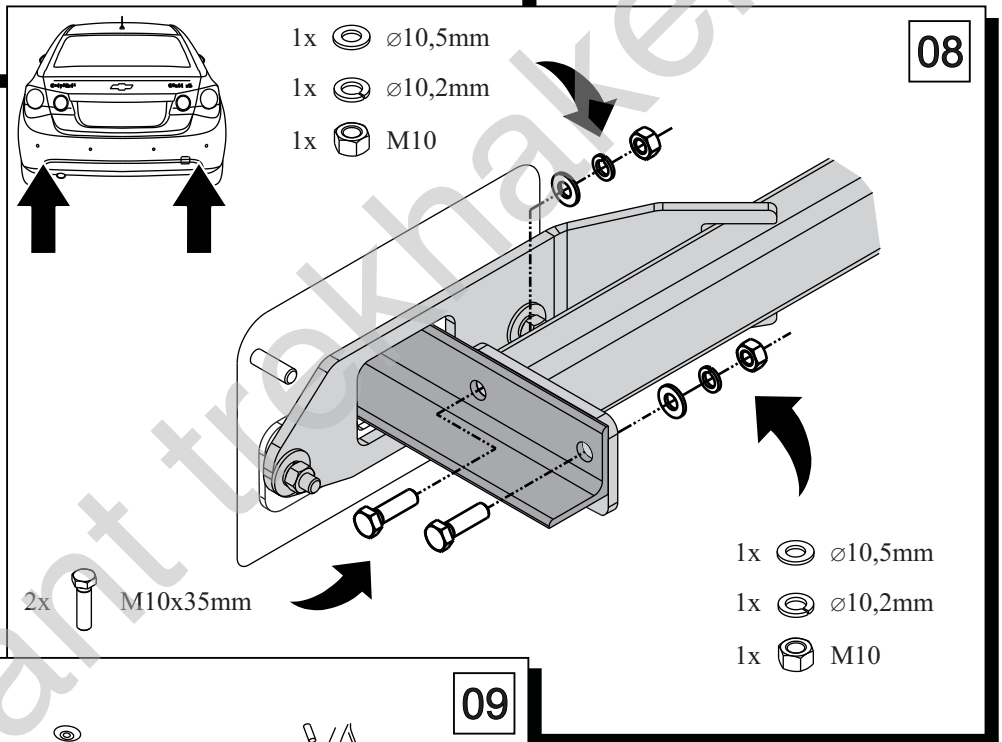
03







07

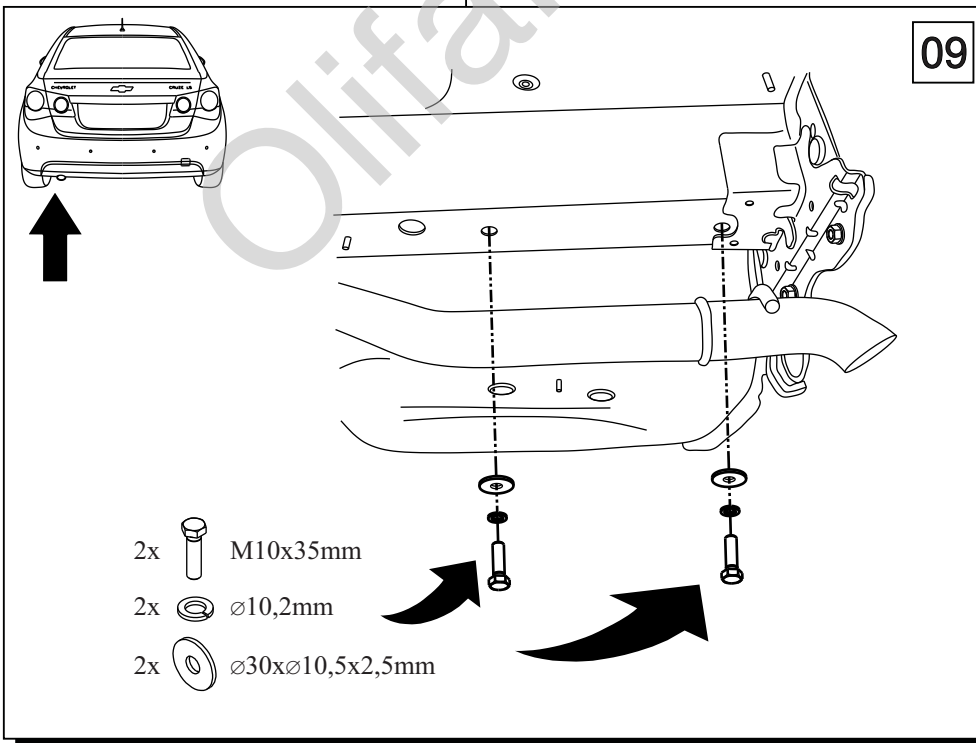


08

- 1x $\varnothing 10,5\text{mm}$
- 1x $\varnothing 10,2\text{mm}$
- 1x M10

- 2x M10x35mm

- 1x $\varnothing 10,5\text{mm}$
- 1x $\varnothing 10,2\text{mm}$
- 1x M10



09

- 2x M10x35mm
- 2x $\varnothing 10,2\text{mm}$
- 2x $\varnothing 30 \times \varnothing 10,5 \times 2,5\text{mm}$

