

PPUH AUTO-HAK Sp.J.

Henryk i Zbigniew Nejman
ul. Słoneczna 16K 76-200 SŁUPSK
POLAND

tel/fax +48 59 8 414 414; +48 59 8 414 413

e-mail: office@autohak.com.pl

www.autohak.com.pl



AUTO-HAK



CHEVROLET AVEO
3/5D, 4D

Cat. no:

X25A



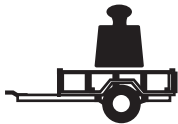
07.2011 →

e20

e20*94/20*1536*00

D

6,62 kN



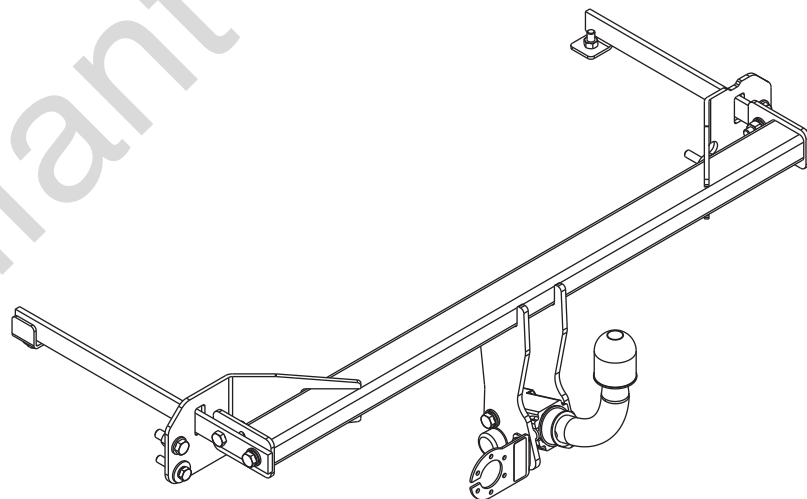
R=1100 kg



S=44 kg



2h



M6 - 11 Nm
M10 - 50 Nm
M14 - 138 Nm

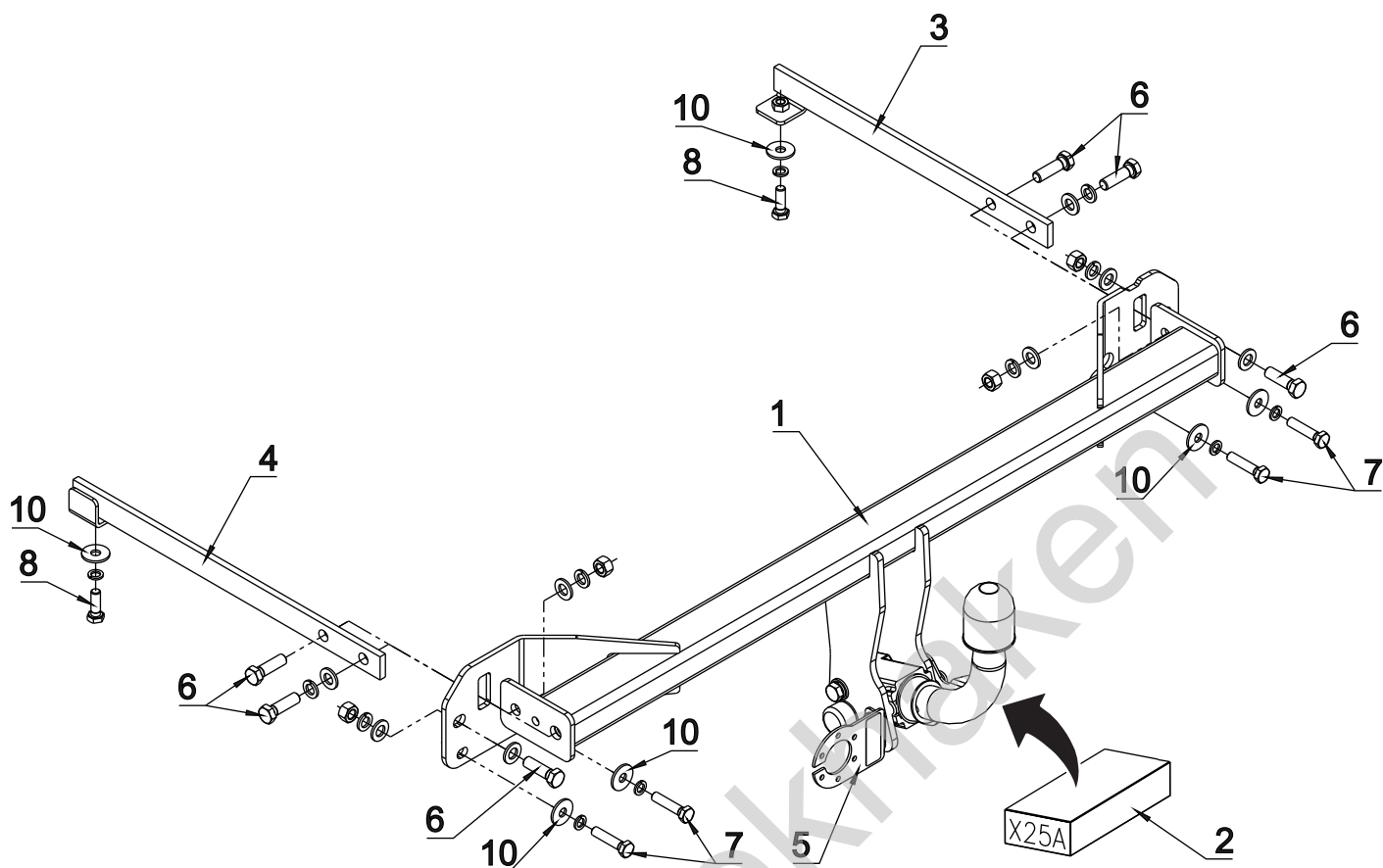
M8 - 25 Nm
M12 - 87 Nm
M16 - 210 Nm

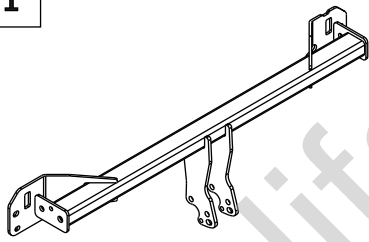

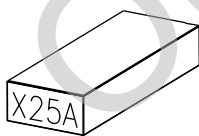

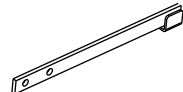
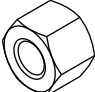
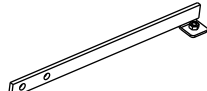
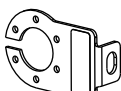


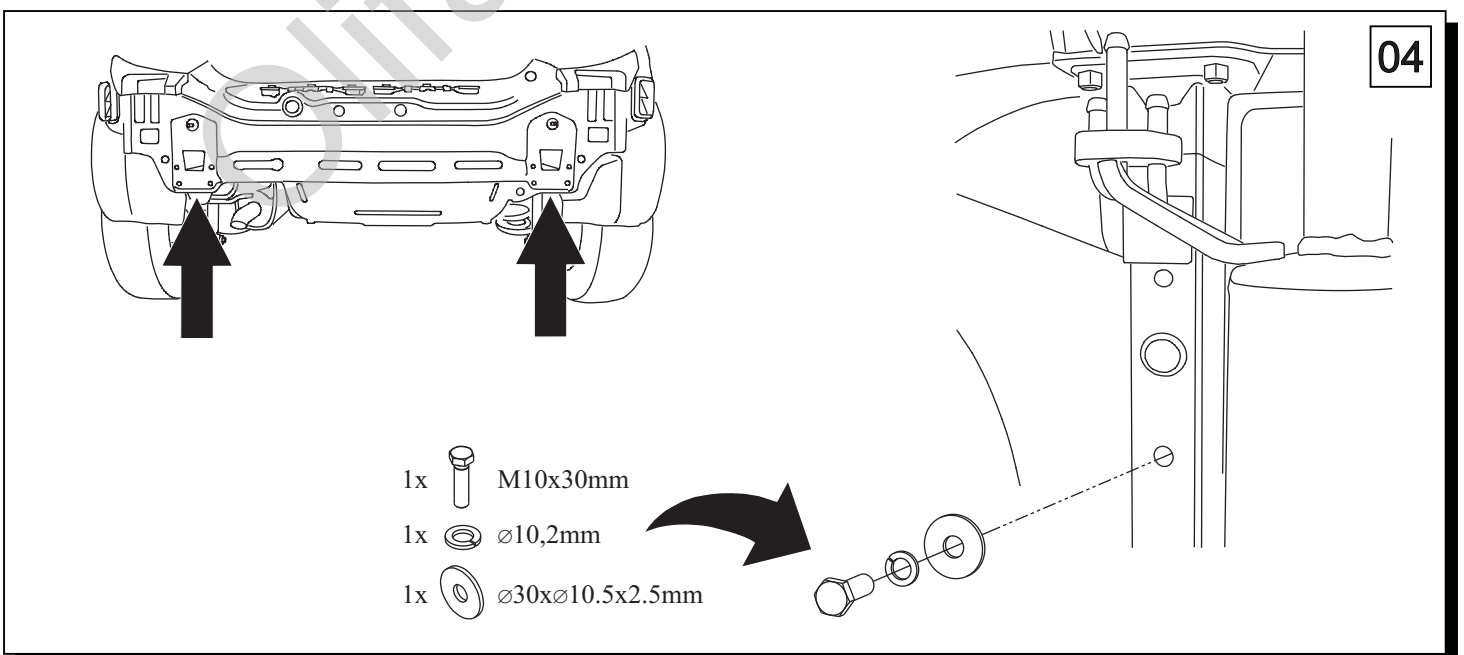
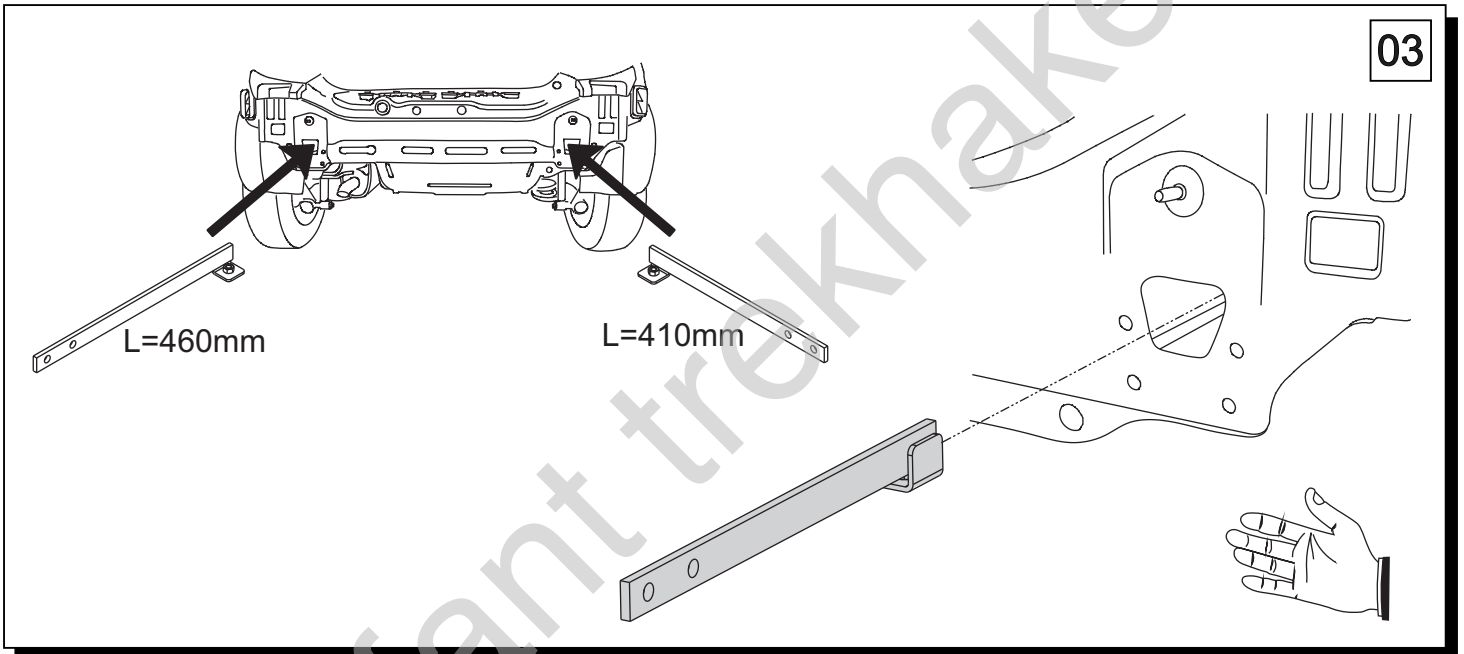
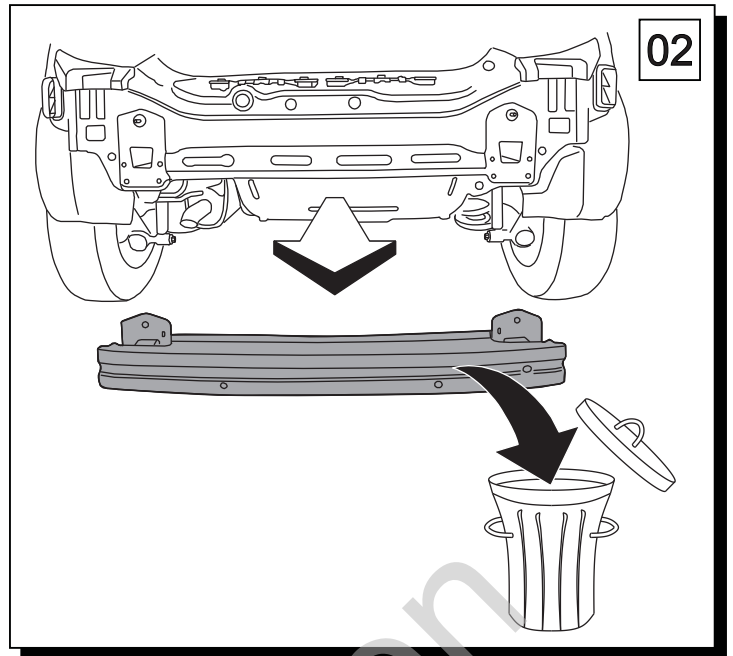
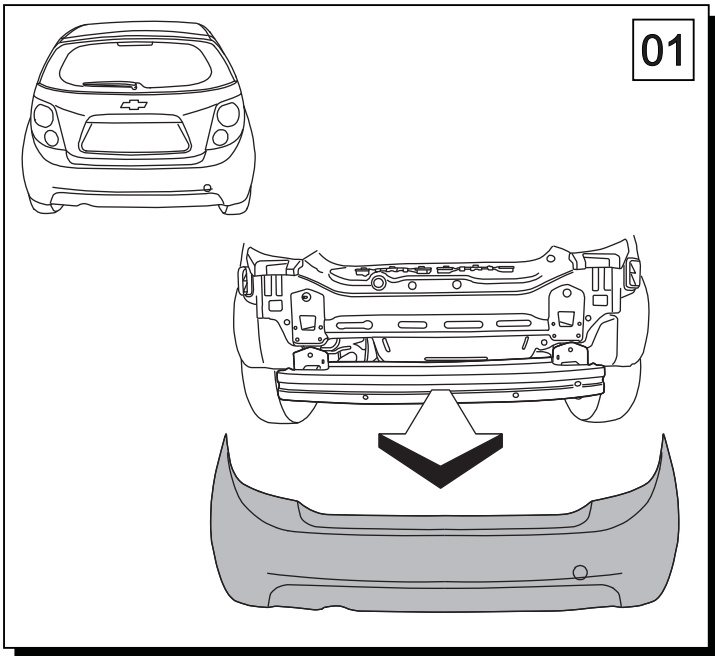
0 km →



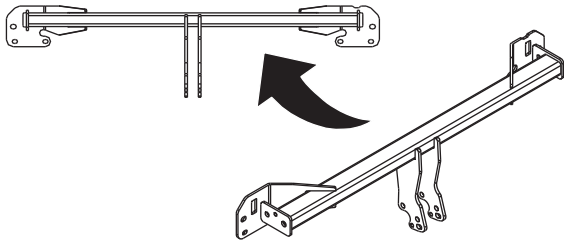
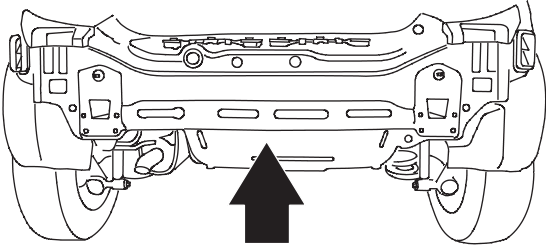
1000 km



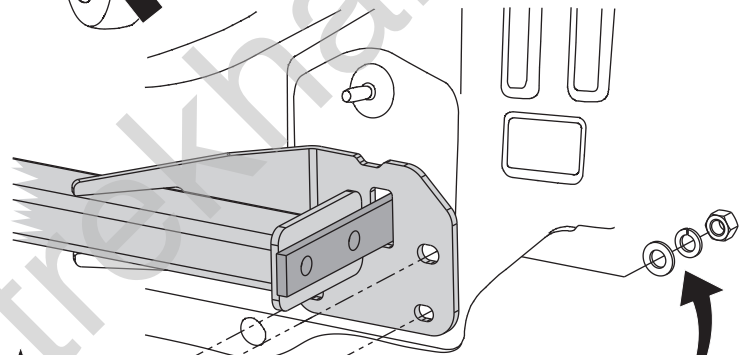
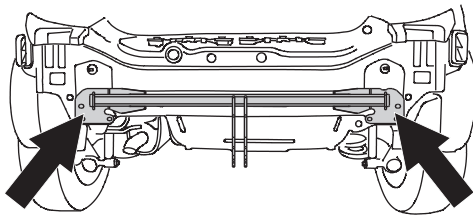
	x 1		6 M12x40	6
			7 M10x45	4
			8 M10x30	2
			9 \varnothing 13	8
			10 \varnothing 30x \varnothing 10.5x2.5 10 DIN 9021	6
	x 1 Art.nr-KL1X25A		11 \varnothing 12.2	6
			12 \varnothing 10.2	6
	x 1 L=410mm		13 M12	4
	x 1 L=460mm			
	x 1 Art.nr-BL1X25A			






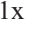
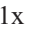



05

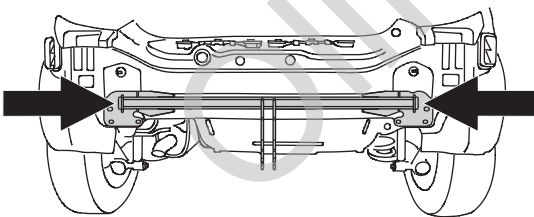









06



- 2x  M10x45mm
- 2x  $\varnothing 10,2\text{mm}$
- 2x  $\varnothing 30 \times 10,5 \times 2,5\text{mm}$
- 1x  M12x40mm
- 1x  $\varnothing 13\text{mm}$
- 1x  $\varnothing 13\text{mm}$
- 1x  $\varnothing 12,2\text{mm}$
- 1x  M12

07



- 1x  $\varnothing 13\text{mm}$
- 1x  $\varnothing 12,2\text{mm}$
- 1x  M12
- 1x  M12x40mm
- 1x  M12x40mm
- 1x  $\varnothing 12,2\text{mm}$
- 1x  $\varnothing 13\text{mm}$

