

# PPUH AUTO-HAK Sp.J.

Henryk i Zbigniew Nejman  
ul. Słoneczna 16K 76-200 SŁUPSK  
POLAND

tel/fax +48 59 8 414 414; +48 59 8 414 413

e-mail: [office@autohak.com.pl](mailto:office@autohak.com.pl)

[www.autohak.com.pl](http://www.autohak.com.pl)



# AUTO-HAK



**CHEVROLET ORLANDO  
VAN**

Cat. no:

**X24A**



03.2011 →

e20

e20\*94/20\*1485\*00

D

9,9 kN



2h



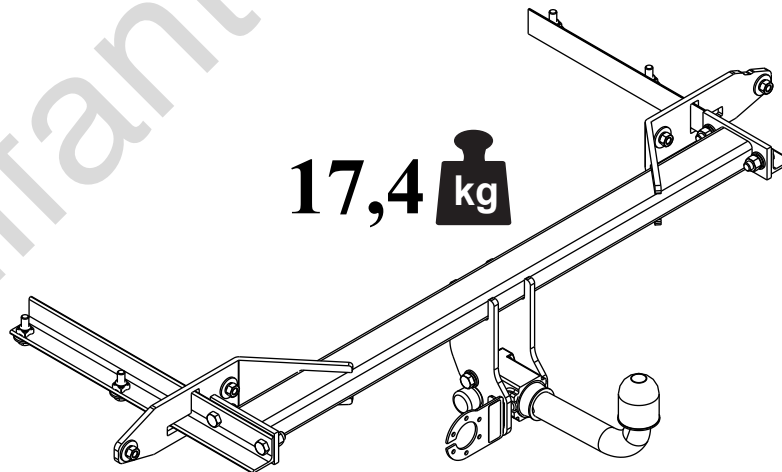
R=1600 kg



S=75 kg



17,4 kg



M6 - 11 Nm  
M10 - 50 Nm  
M14 - 138 Nm

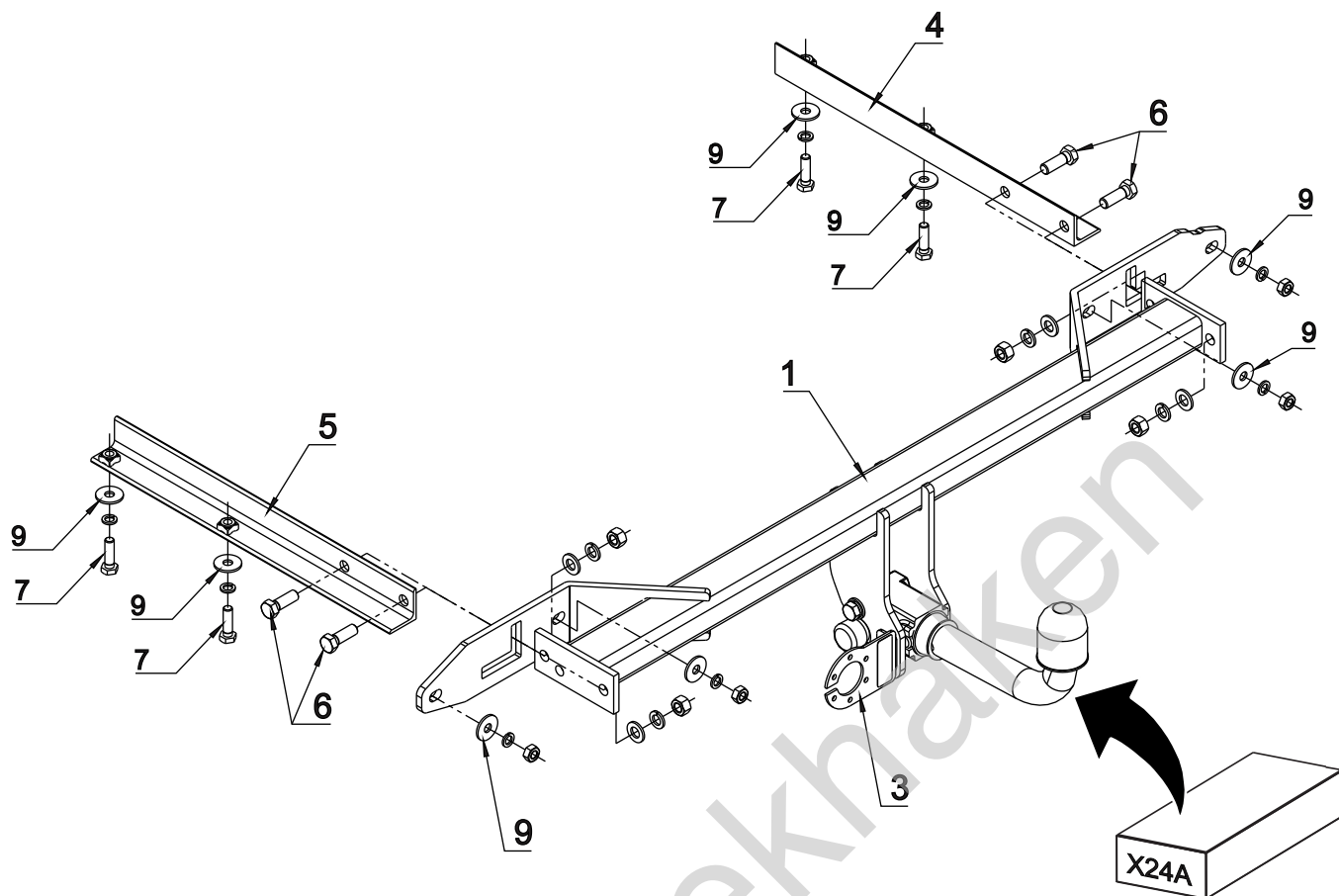
M8 - 25 Nm  
M12 - 87 Nm  
M16 - 210 Nm

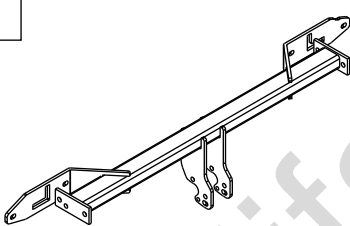

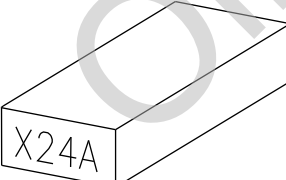

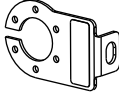

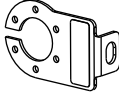
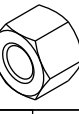
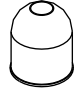
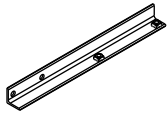
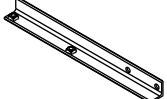


0 km →



1000 km



1		x1		6	M12x35	x4
				7	M10x35	x4
2		x1		8	∅ 13	x4
				9	∅ 30x∅10.5x2.5 10 (DIN 9021)	x8
3		x1		10	∅ 12.2	x4
				11	∅ 10.2	x8
3		x1		12	M12	x4
				13	M10	x4
			14		x1	
4		x1				
5		x1				

