

AUTO-HAK Sp. z o.o.

ul. Słoneczna 16K 76-200 SŁUPSK
POLAND

tel/fax +48 59 8 414 414; +48 59 8 414 413

e-mail: office@autohak.com.pl

www.autohak.com.pl



AUTO-HAK

SUZUKI SWIFT (2WD, 4WD)

Nr kat.

W35A



04.2017 →



E20*55R02*6638



2h



5,90 kN



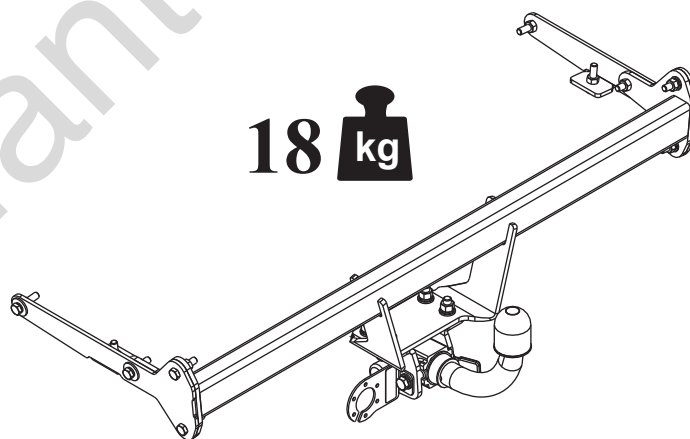
R=1000 kg



S=70 kg



18 kg



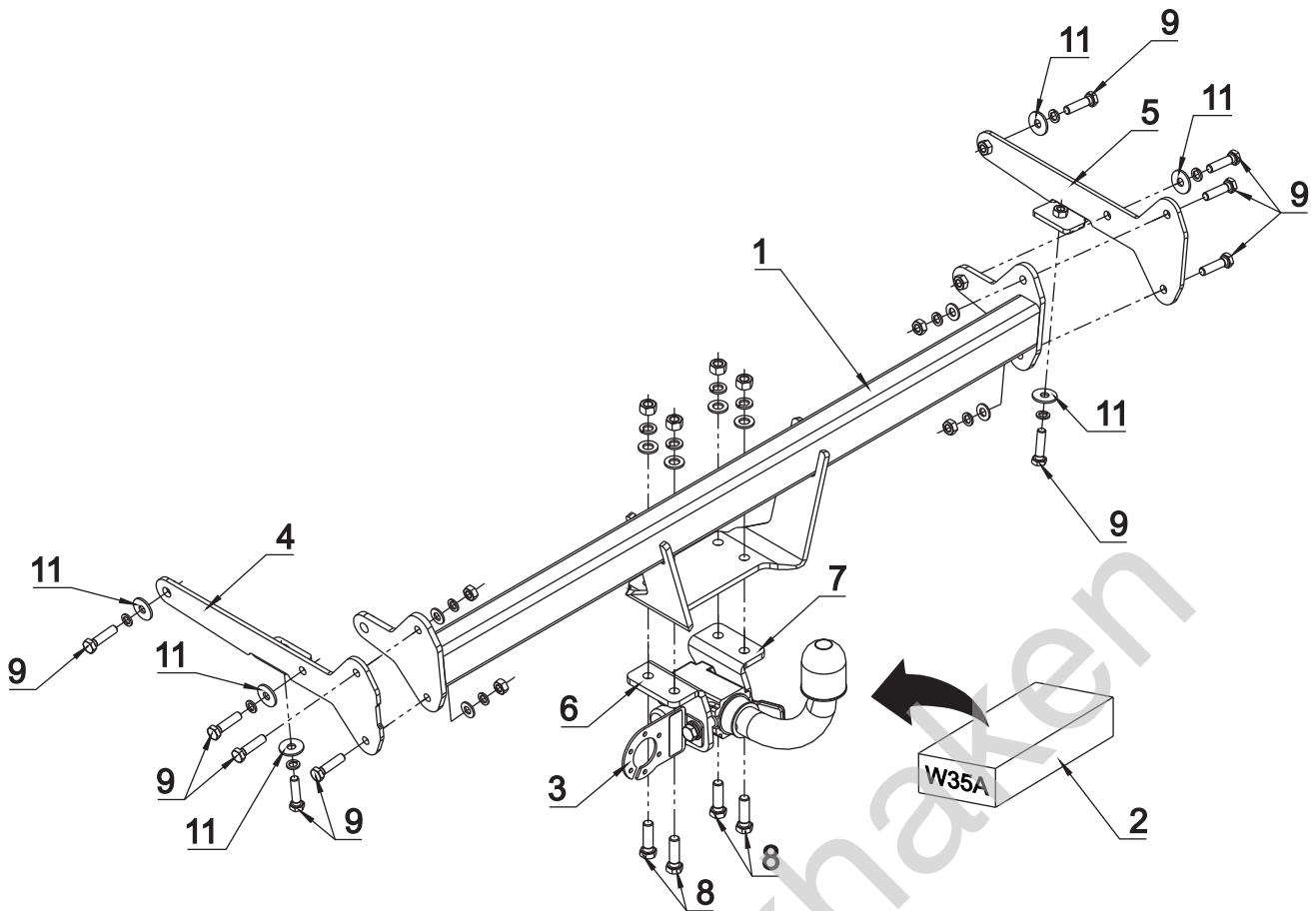
śruba Nm	M6	M8	M10	M12	M14	M16
klasa 8.8	9,9	24	48	83	132	200
klasa 10.9	14	34	67	117	185	285

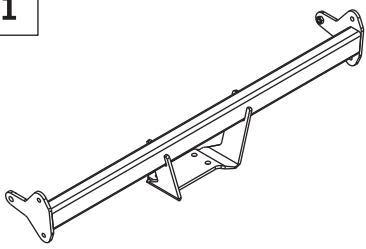


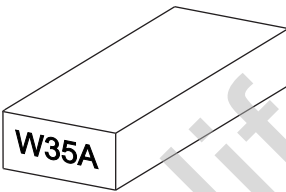

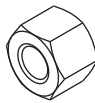
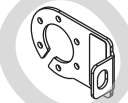


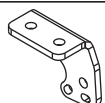



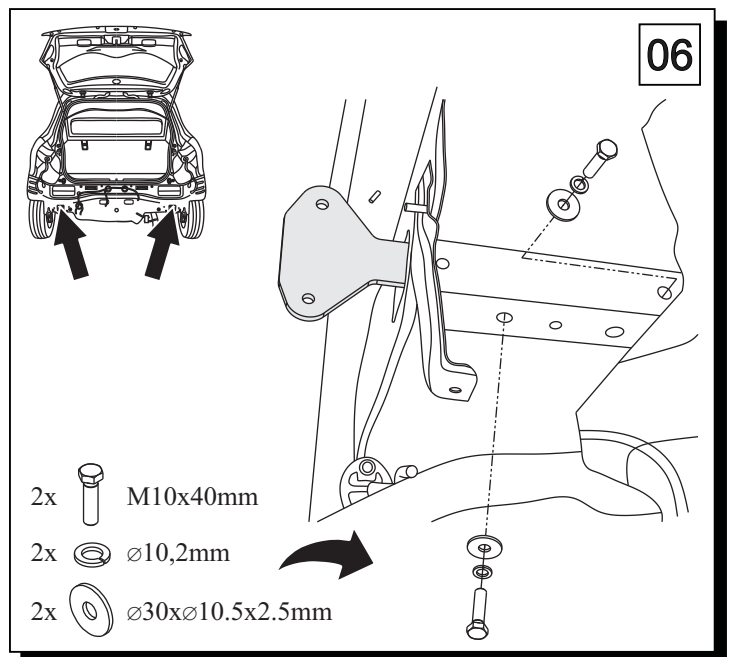
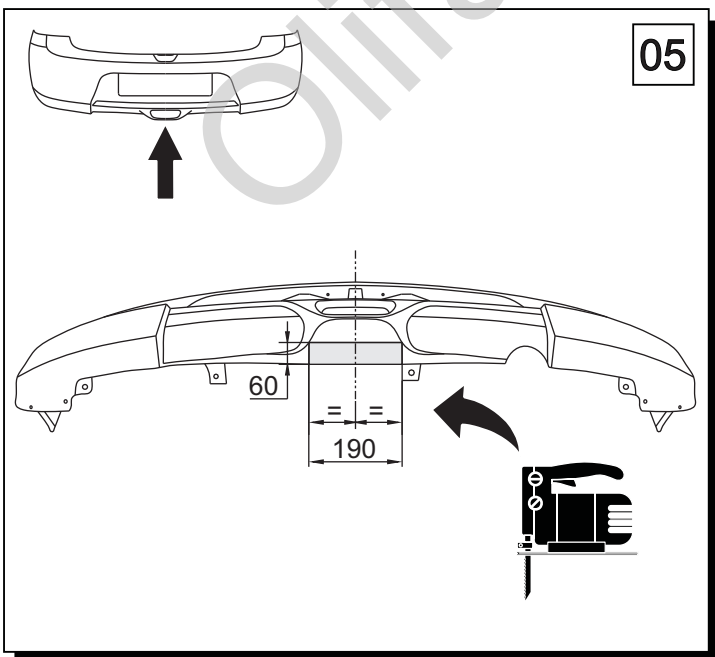
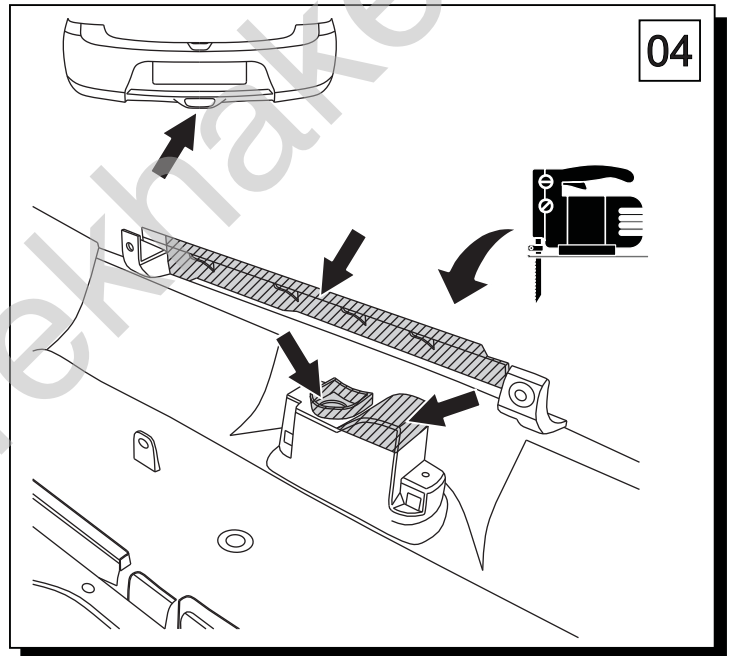
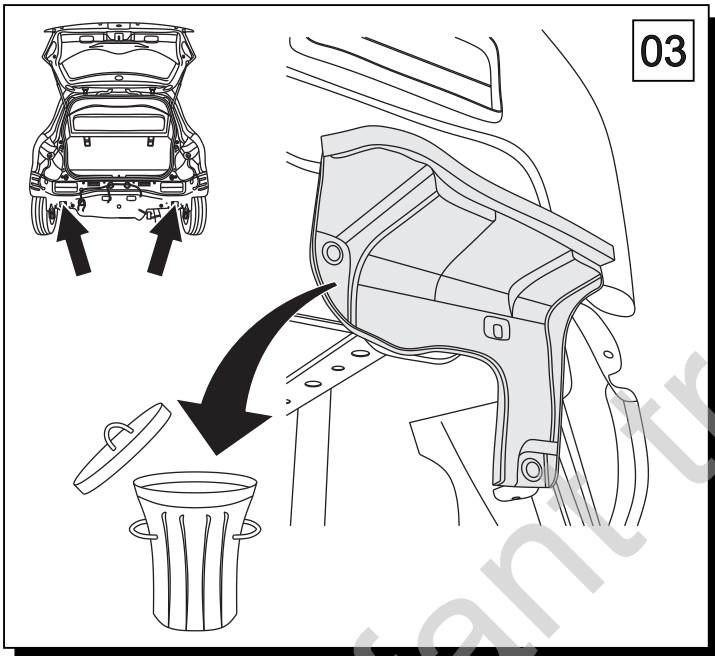
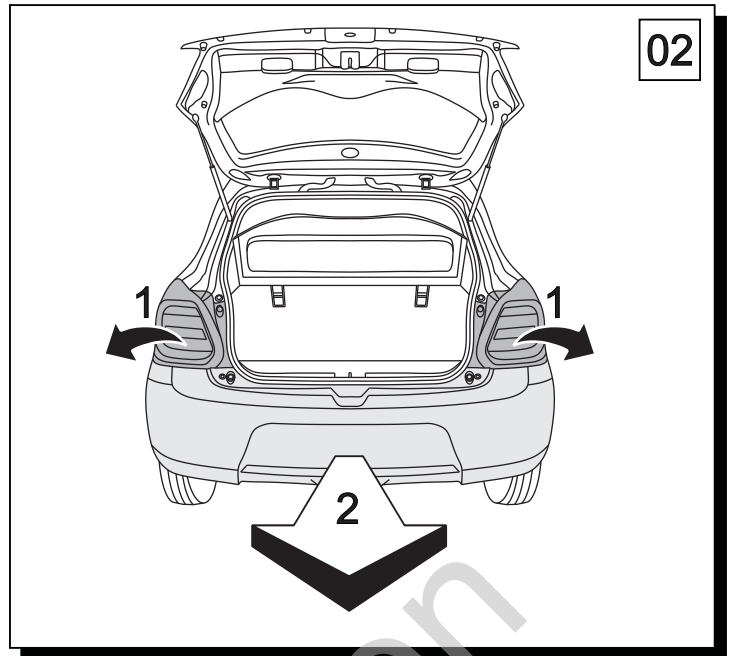
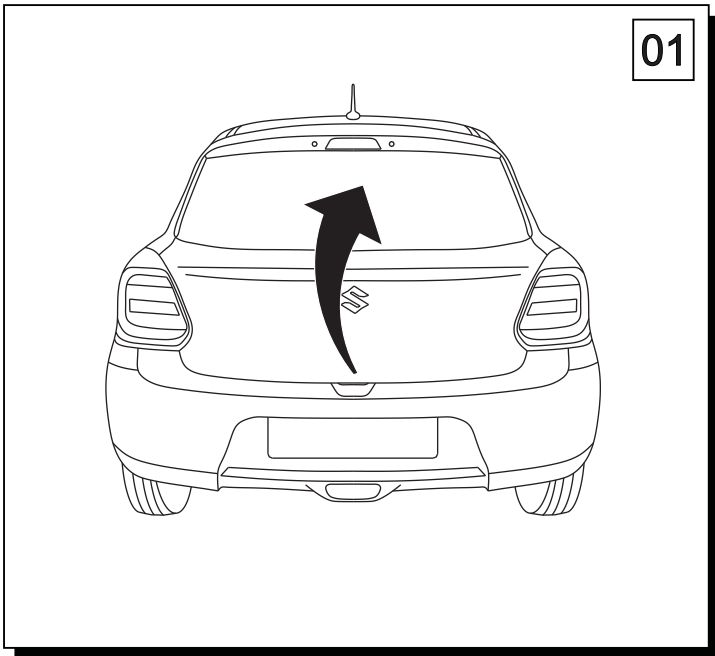
0 km →



1000 km




	x1		8	M12x40	x4	
				9	M10x40	x10
				10	∅ 13	x4
				11	∅ 30x∅10.5x2.5 10 DIN 9021	6
	x1		12	∅ 10.5	x4	
			13	∅ 12.2	x4	
			14	∅ 10.2	x10	
				15	M12	x4
16	M10	x4				
	x1					
	Art.nr-BL2W35A					
	x1					
	x1					
	x1					
	x1					

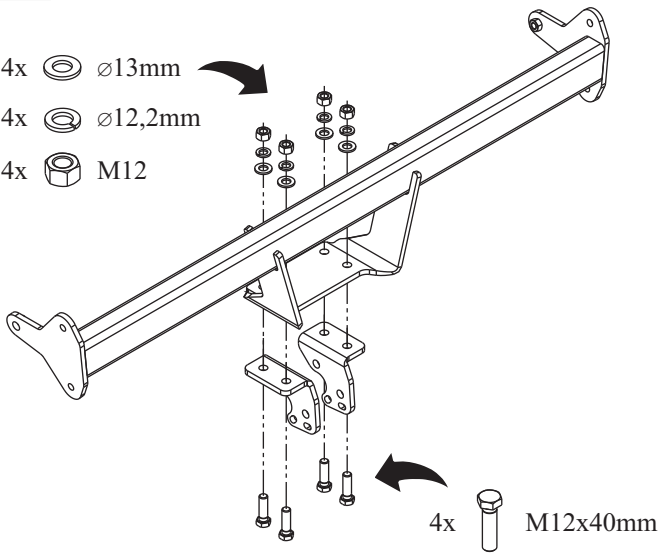


07

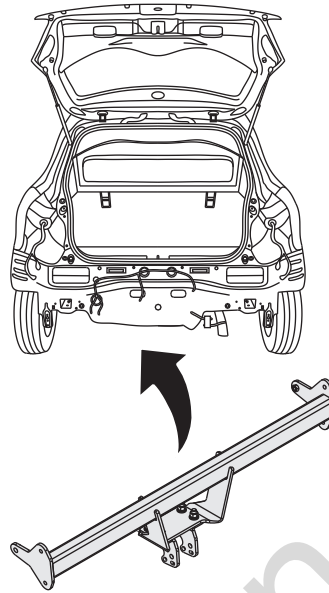
4x  $\varnothing 13\text{mm}$

4x  $\varnothing 12,2\text{mm}$

4x  M12




08




09


1x  M10x40mm

1x  $\varnothing 10,2\text{mm}$

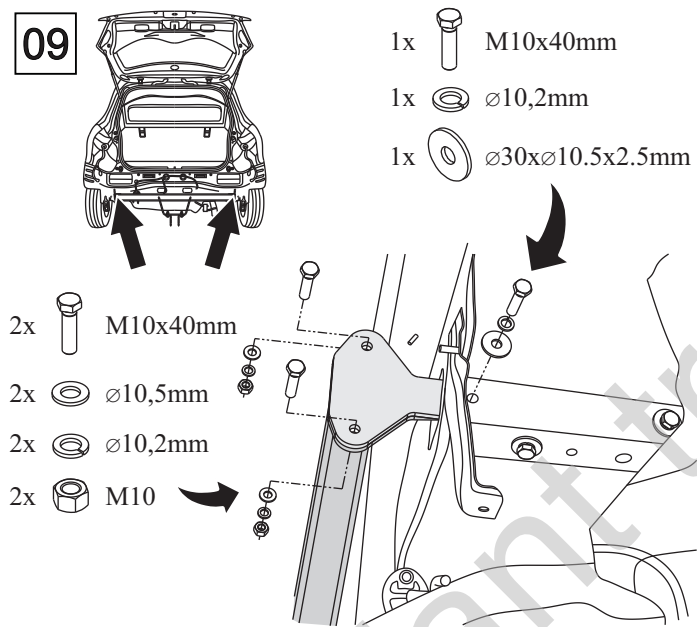
1x  $\varnothing 30 \times \varnothing 10,5 \times 2,5\text{mm}$

2x  M10x40mm

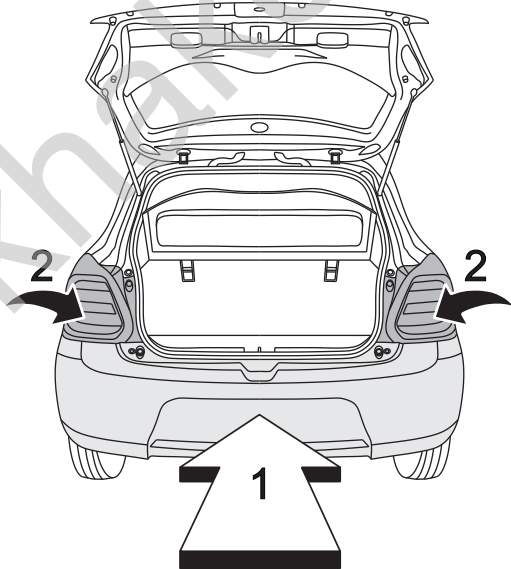
2x  $\varnothing 10,5\text{mm}$

2x  $\varnothing 10,2\text{mm}$

2x  M10



10



11

