

PPUH AUTO-HAK Sp.J.

Henryk i Zbigniew Nejman
ul. Słoneczna 16K 76-200 SŁUPSK
POLAND

tel/fax +48 59 8 414 414; +48 59 8 414 413

e-mail: office@autohak.com.pl

www.autohak.com.pl



AUTO-HAK



SUZUKI CELERIO 5D

Cat. no:

W34A



03.2014 →



E20-55R-01 5027



3,0 kN



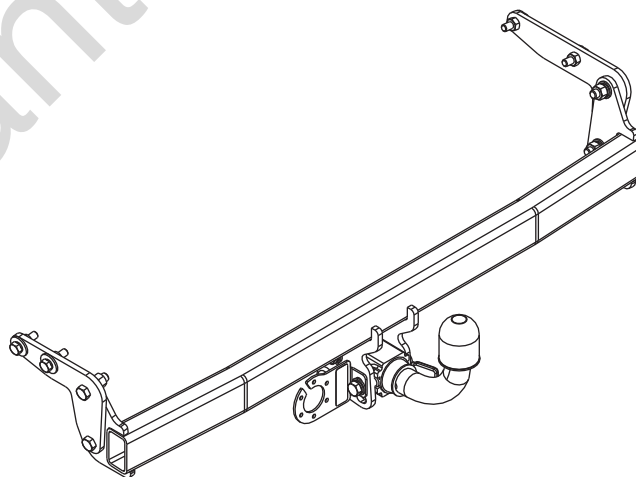
R=400 kg



S=40 kg



1,5h



M6 - 8,5 Nm
M10 - 41 Nm
M14 - 112 Nm

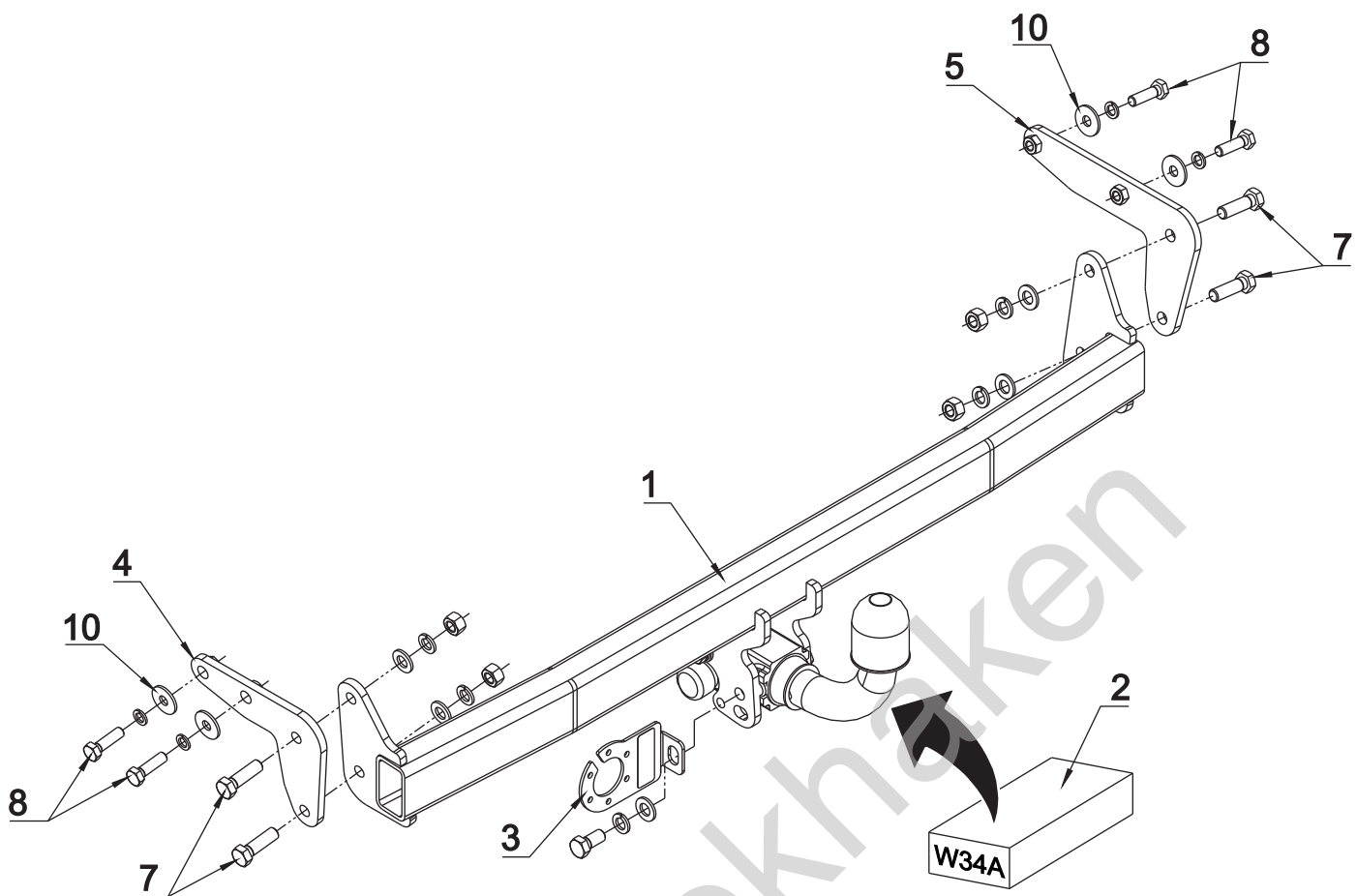
M8 - 20 Nm
M12 - 70 Nm
M16 - 170 Nm

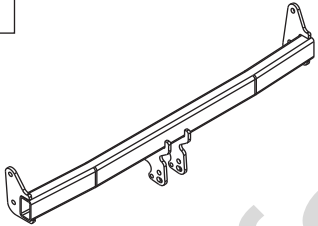

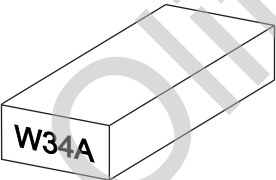

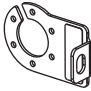





0 km →

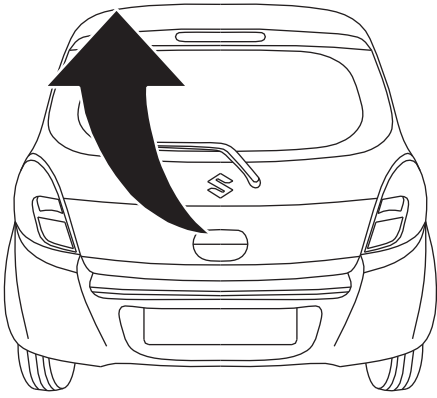


1000 km

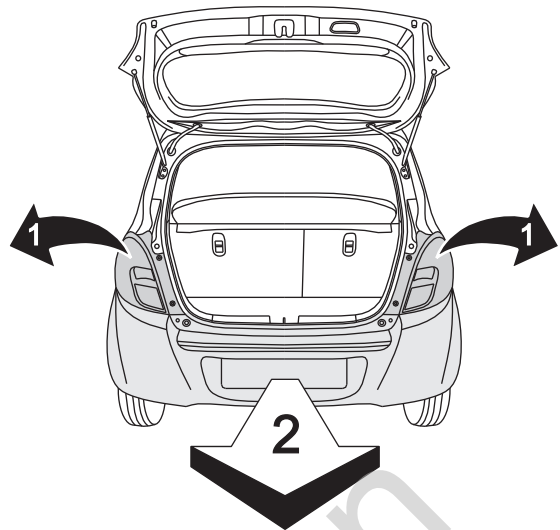


1		x 1		7	M 12x40	x 4
				8	M 10x35	x 4
				9	∅ 13	x 4
				10	∅ 30x∅10.5x2.5 10 (DIN 9021)	x 4
2		x 1		11	∅ 12.2	x 4
				12	∅ 10.2	x 4
				13	M 12	x 4
Art.nr-KL1W34A						
3		x 1	Art.nr-BL1W34A			
4		x 1				
5		x 1				
6		x 1				

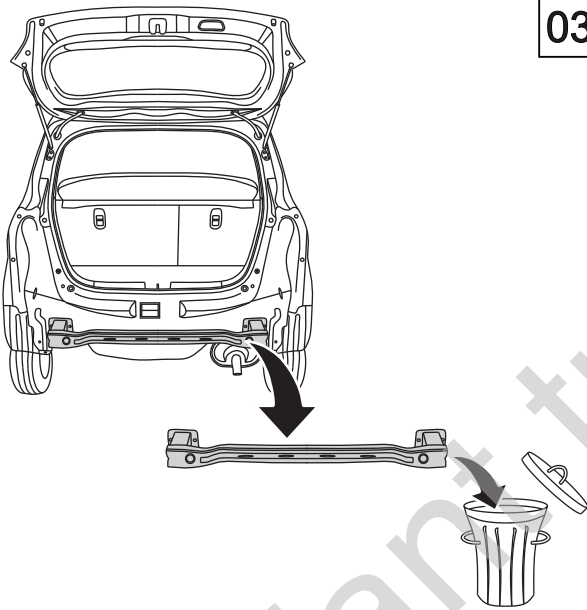
01



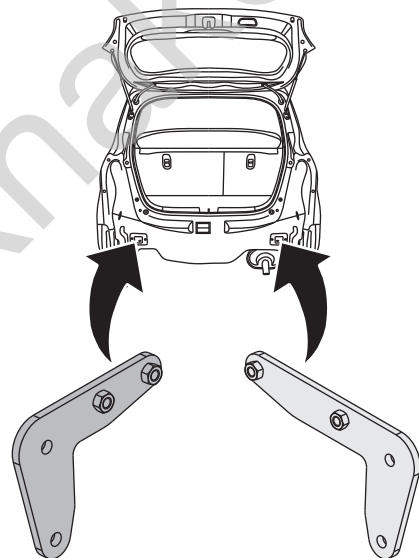
02



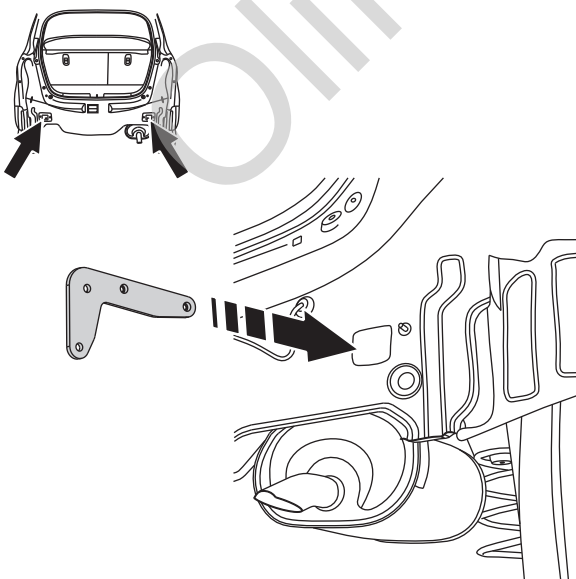
03



04



05



06

