

AUTO-HAK Sp. z o.o.

ul. Słoneczna 16K 76-200 SŁUPSK
POLAND

tel/fax +48 59 8 414 414; +48 59 8 414 413

e-mail: office@autohak.com.pl

www.autohak.com.pl




AUTO-HAK

SUZUKI VITARA 5D L4, LY, 2/4WD, (+HYBRID)


Nr kat.


W31A

 03.2015 → 09.2018
10.2018 →

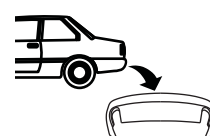
 **E20** E20-55R-01 4381

D 8,44 kN

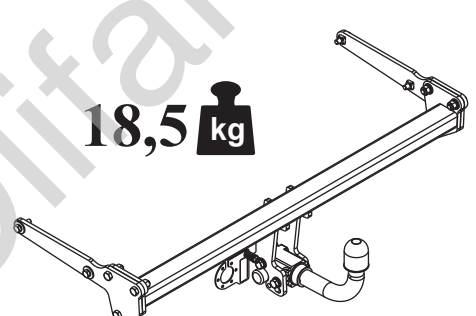
 **R=1500 kg**

 **S=75 kg**


 **2h**








18,5 kg

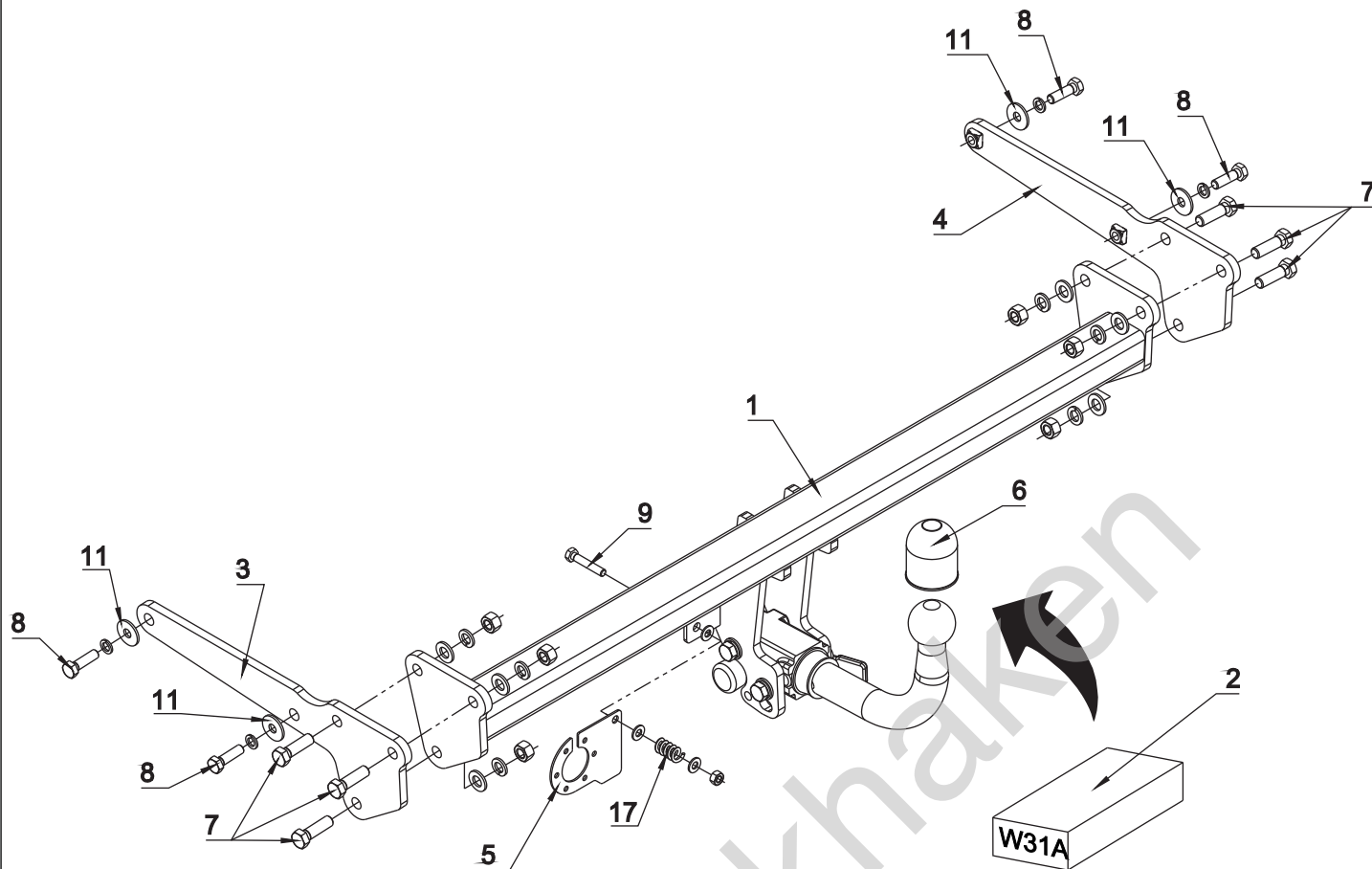


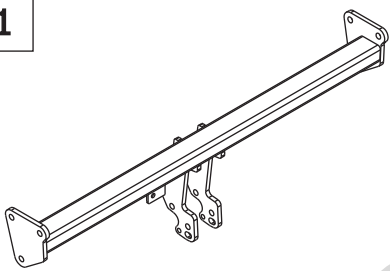

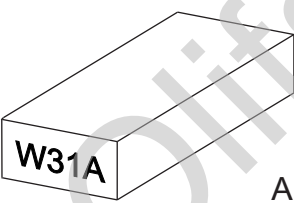

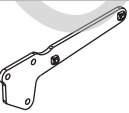

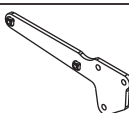




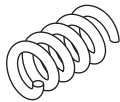
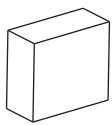
FULL VERSION INSTRUCTION

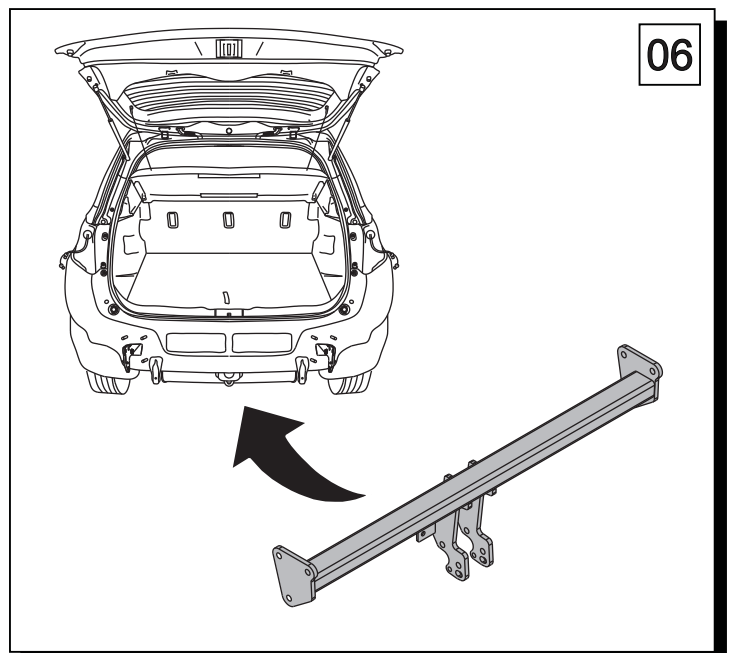
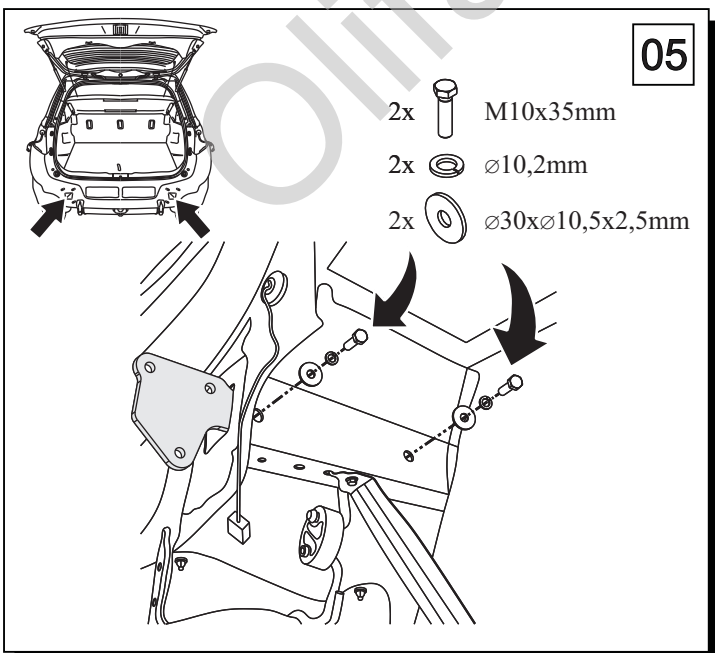
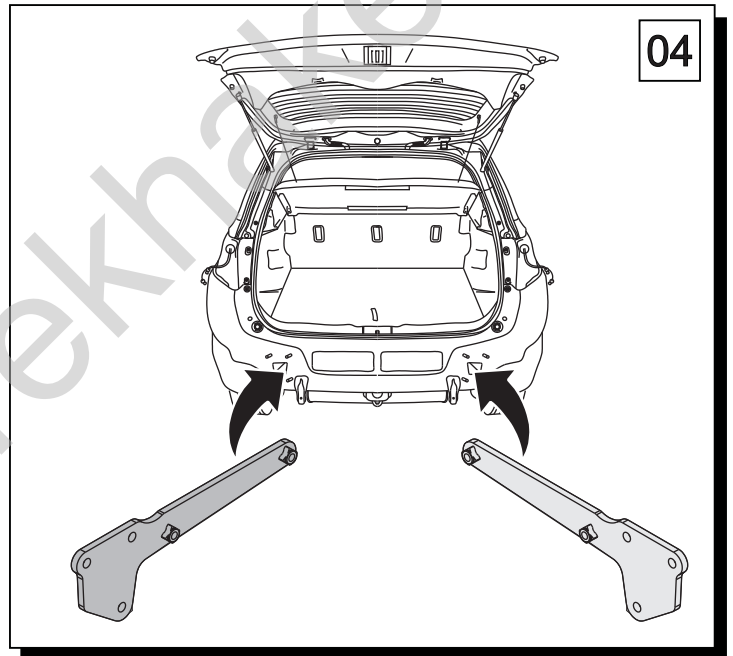
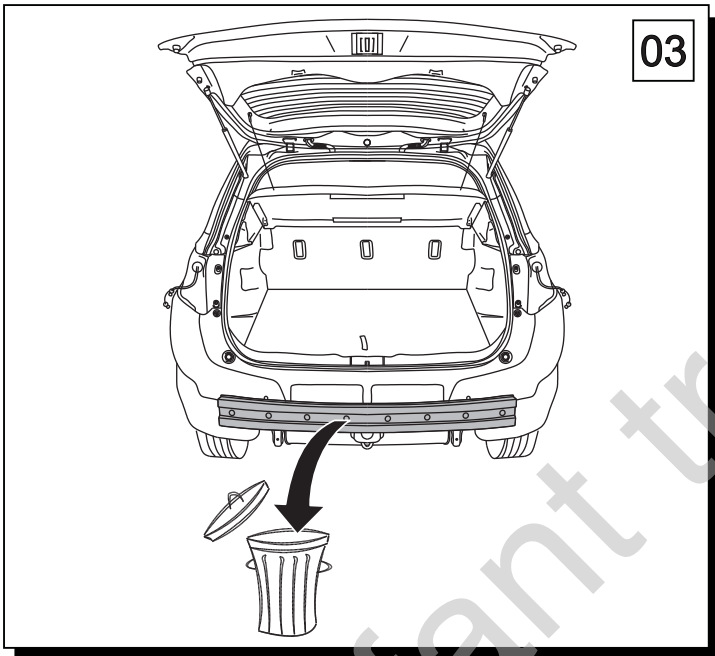
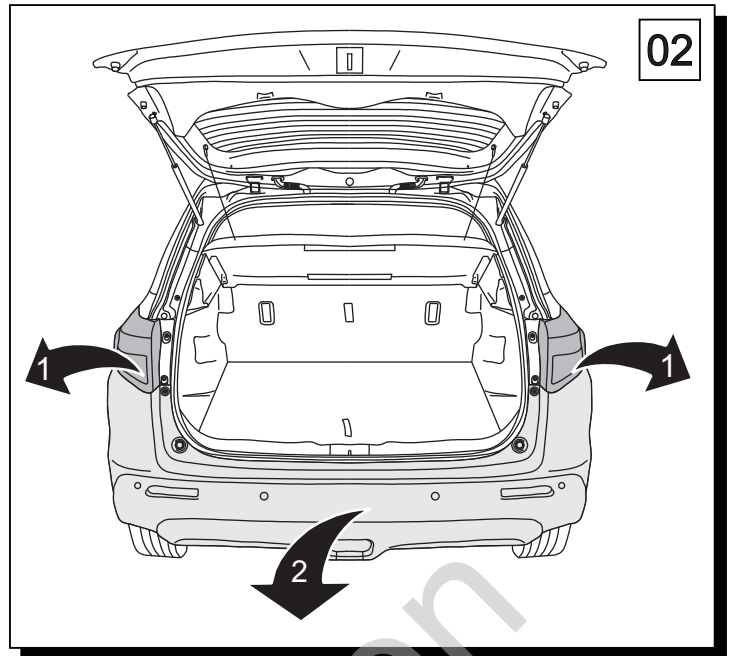
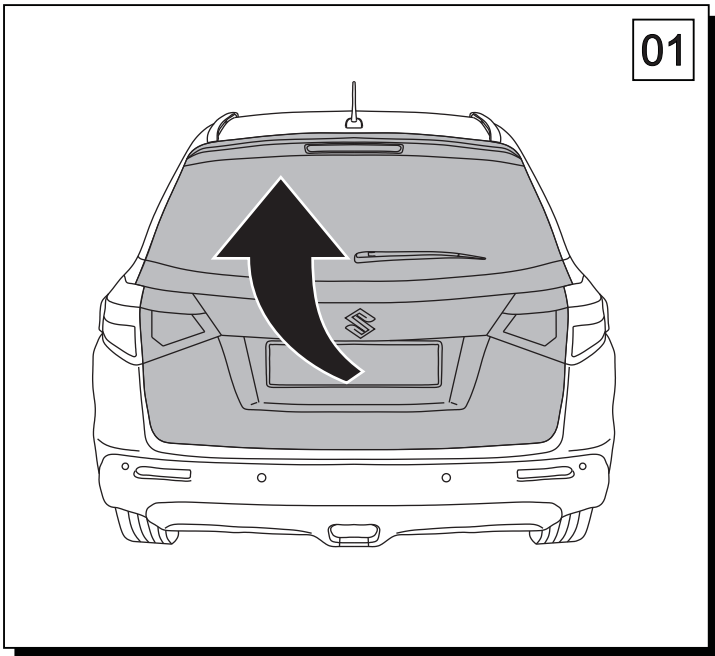


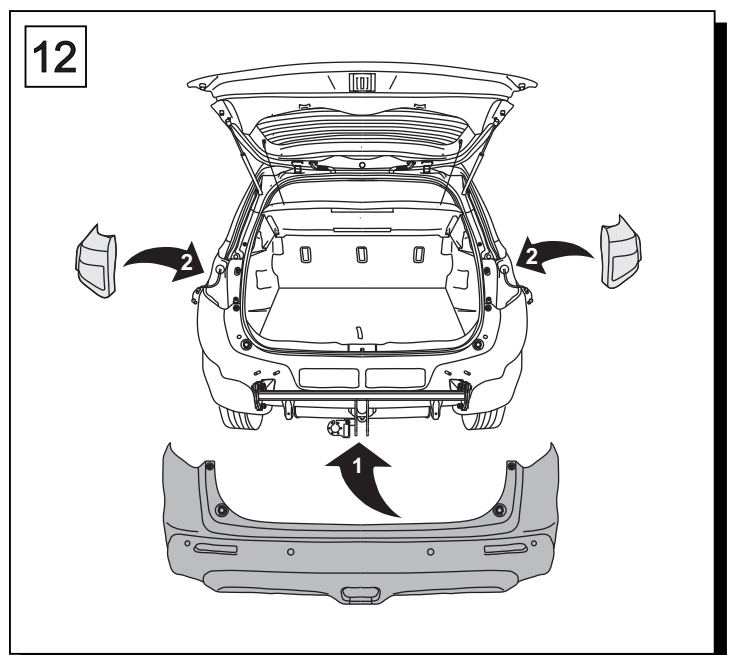
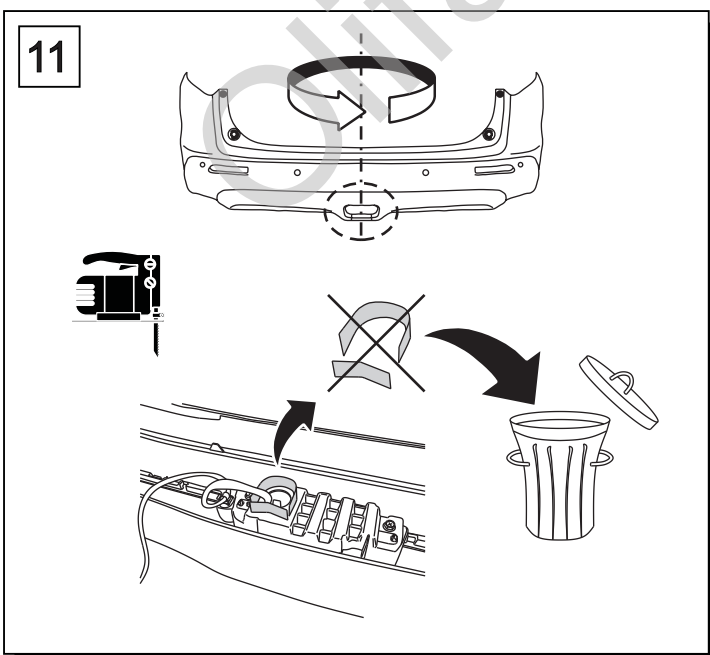
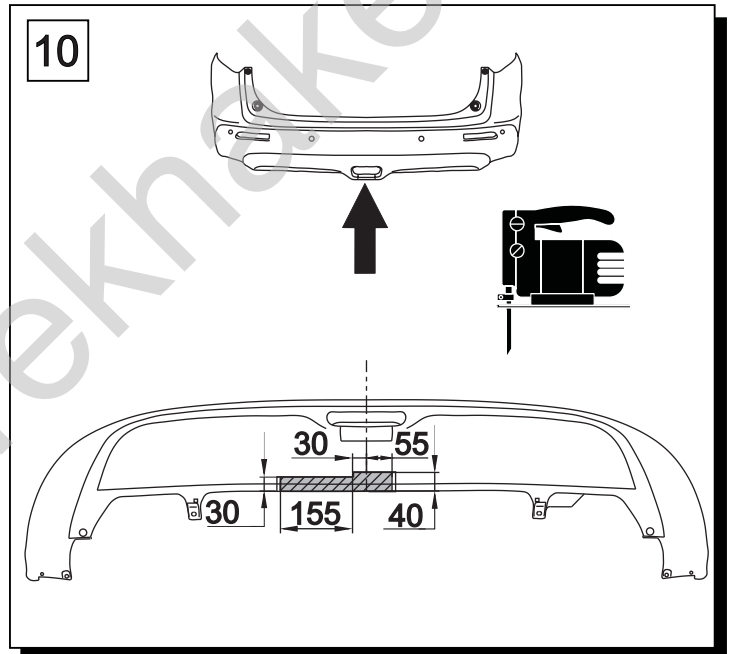
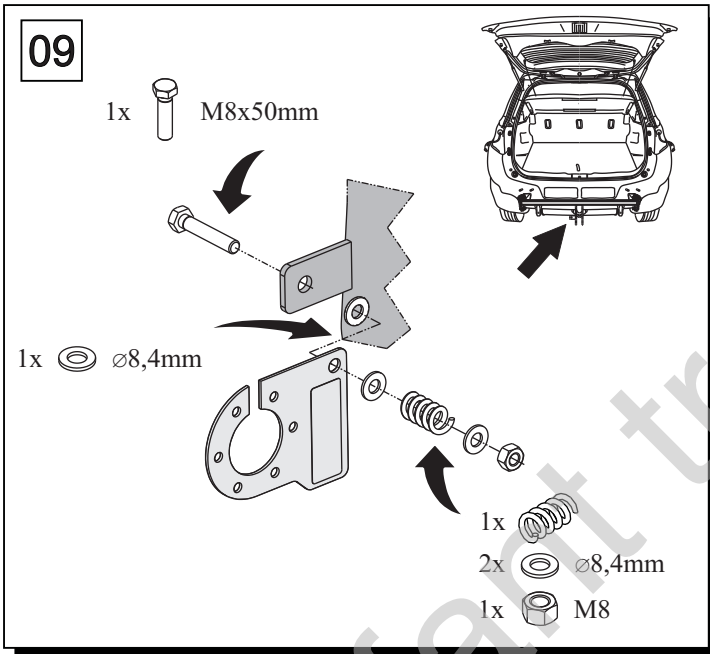
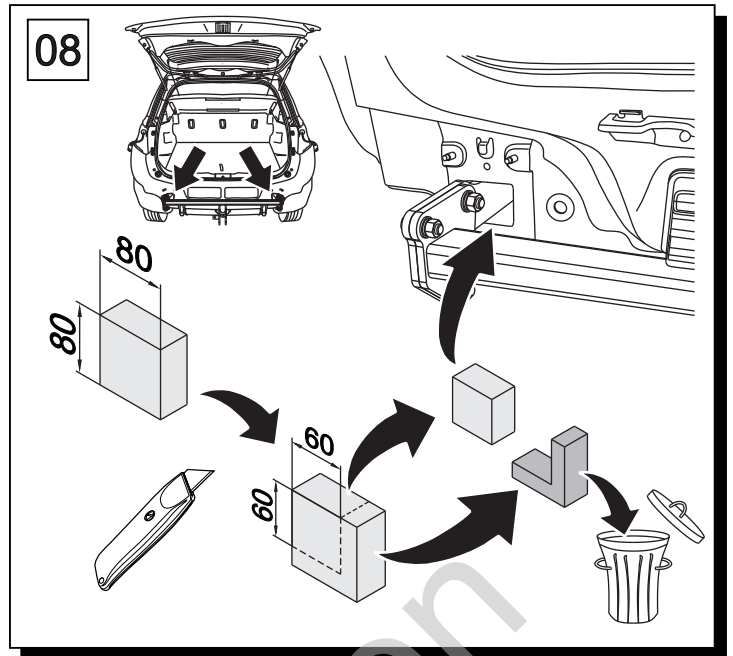
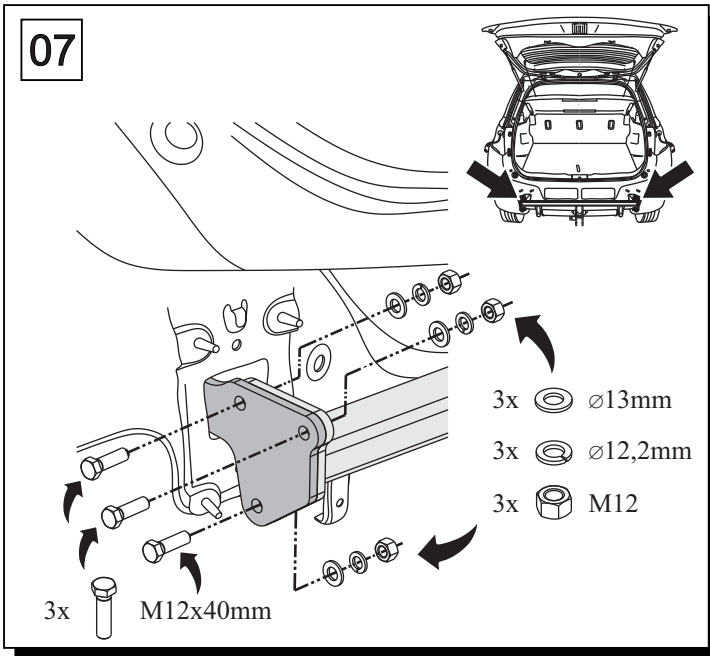
śruba	Nm	M6	M8	M10	M12	M14	M16
klasa 8.8		9,9	24	48	83	132	200
klasa 10.9		14	34	67	117	185	285

 0 km →  1000 km

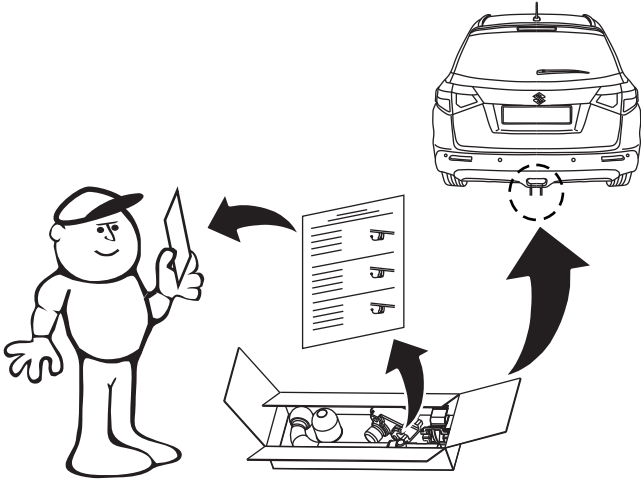


1		x 1		7	M 12x40	x 6
				8	M 10x35	x 4
2		x 1		9	M 8x50	x 1
				10	∅ 13	x 6
3		x 1		11	∅ 30x∅10.5x2.5 10 DIN 9021	x 4
				12	∅ 8.4	x 3
4		x 1		13	∅ 12.2	x 6
				14	∅ 10.2	x 4
5		x 1		15	M 12	x 6
				16	M 8	x 1
6		x 1		17		x 1
				18		x 2





13



Olifant trekhaken