

AUTO-HAK Sp. z o.o.

ul. Słoneczna 16K 76-200 SŁUPSK
POLAND

tel/fax +48 59 8 414 414; +48 59 8 414 413

e-mail: office@autohak.com.pl

www.autohak.com.pl



AUTO-HAK

SUZUKI Sx4 S-CROSS 5D

Nr kat.

W30A



10.2013 → 12.2021

01.2022 →



E20-55R-01 3494

D

8,3 kN



2h



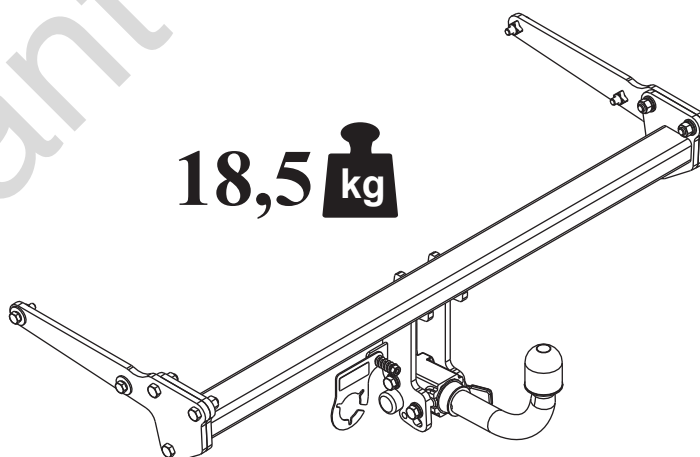
R=1500 kg



S=75 kg



18,5 kg



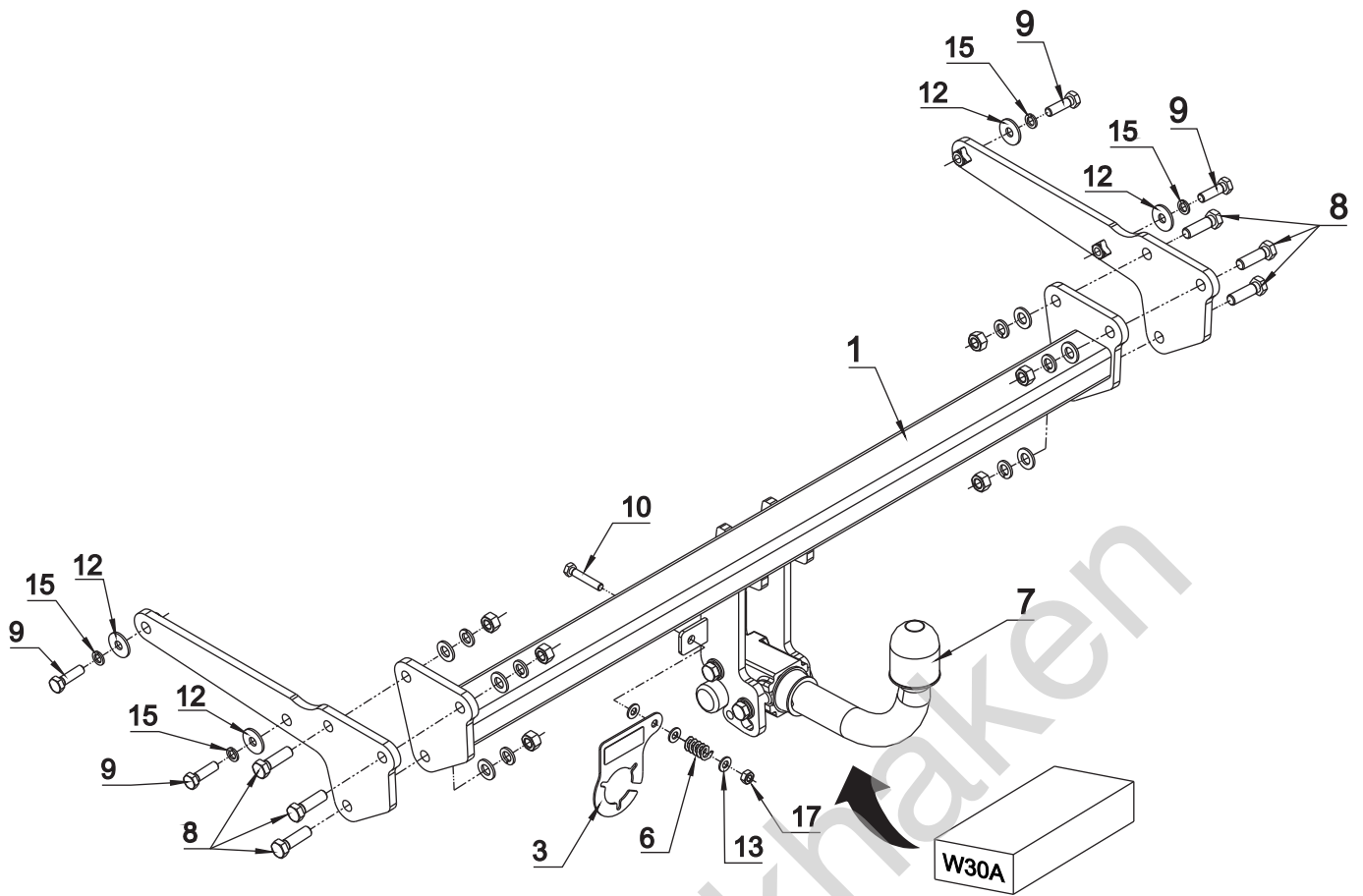
śruba	Nm	M6	M8	M10	M12	M14	M16
klasa 8.8		9,9	24	48	83	132	200
klasa 10.9		14	34	67	117	185	285

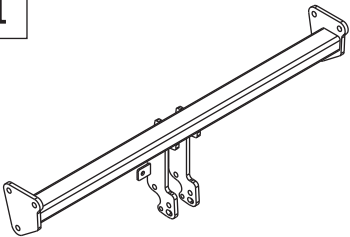

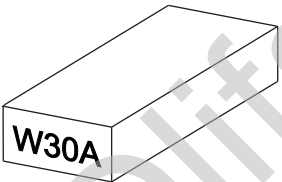



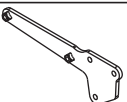
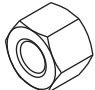
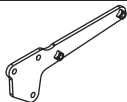
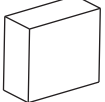

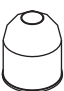


0 km →

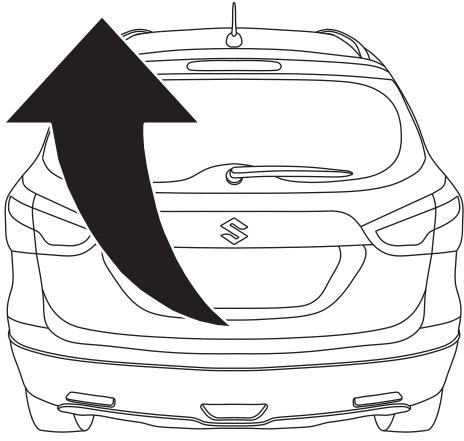


1000 km

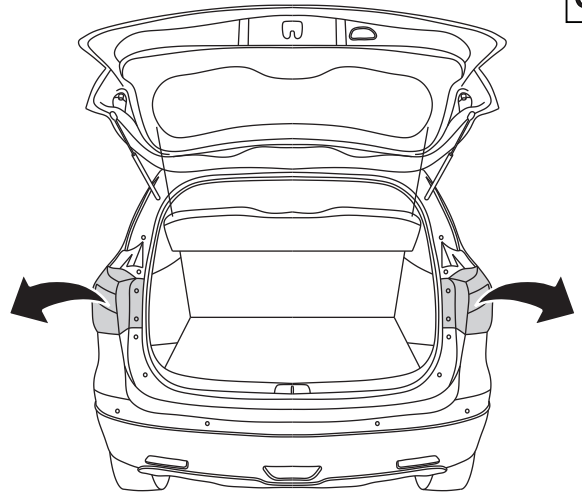


1		x 1		8	M 12x40	x 6
2	 Art.nr-KL1W30A	x 1		9	M 10x35	x 4
				10	M 8x50	x 1
3	 Art.nr-BL12W30A	x 1		11	∅ 13	x 6
				12	∅ 30x∅10.5x2.5 10 (DIN 9021)	x 4
				13	∅ 8.3	x 2
4		x 1		14	∅ 12.2	x 6
				15	∅ 10.2	x 4
5		x 1	18		x 2	
6		x 1				
7		x 1				

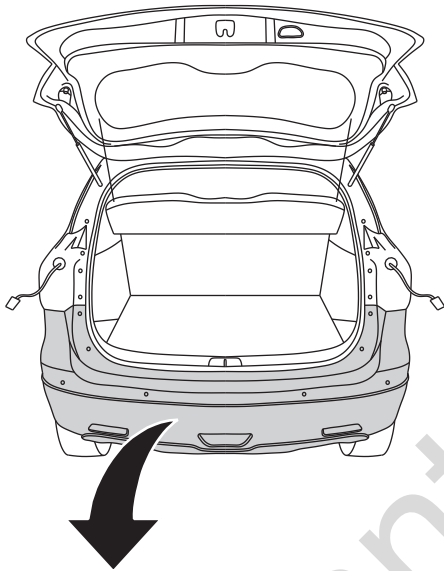
01



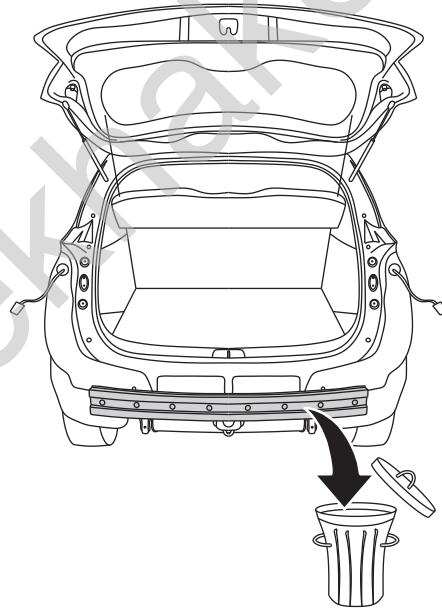
02



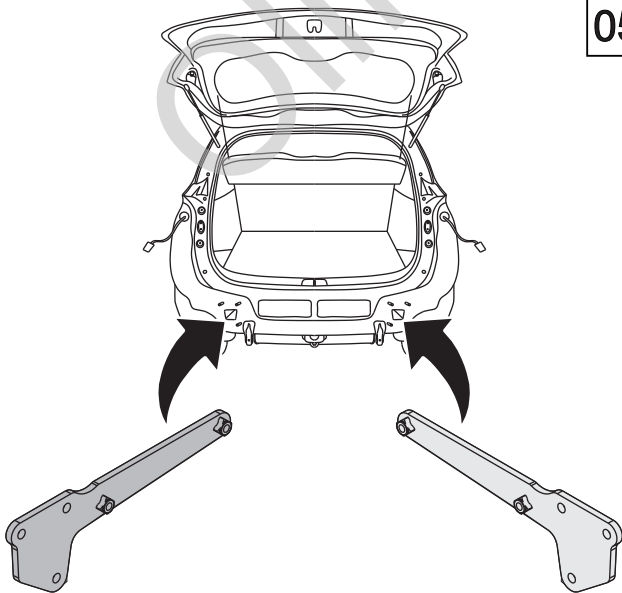
03



04



05



06

