

PPUH AUTO-HAK Sp.J.

Henryk i Zbigniew Nejman
ul. Słoneczna 16K 76-200 SŁUPSK
POLAND

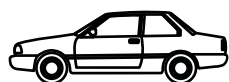
tel/fax +48 59 8 414 414; +48 59 8 414 413

e-mail: office@autohak.com.pl

www.autohak.com.pl



AUTO-HAK



SUZUKI SX4 4WD, 5D

⌚ 06.2006 →

FIAT SEDICI 4WD, 5D

⌚ 04.2006 →

Cat. no:

W26A

E20

E20-55R-01 5329



3h

D

7,30 kN

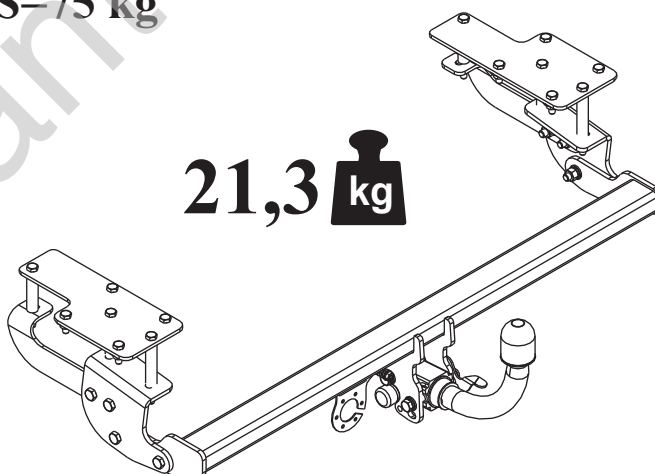


R=1250 kg



S=75 kg

21,3 kg



M6 - 11 Nm
M10 - 50 Nm
M14 - 138 Nm

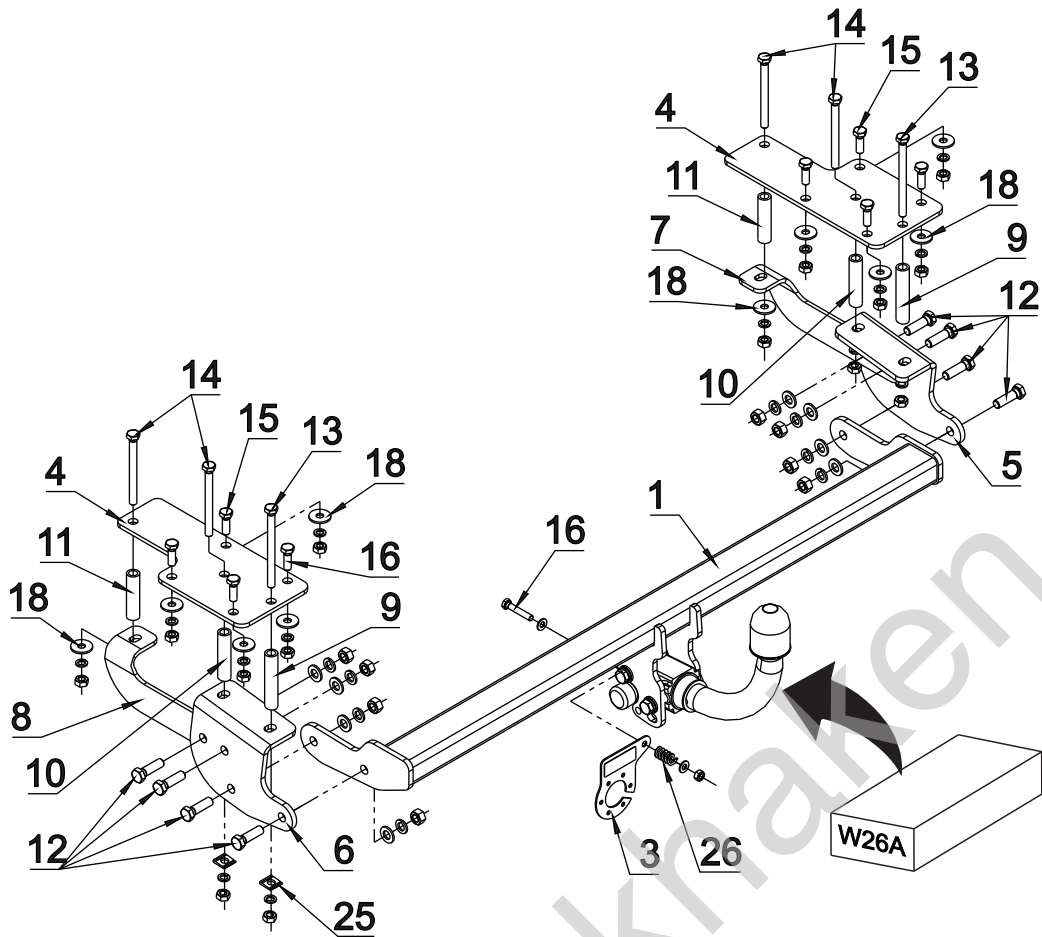
M8 - 25 Nm
M12 - 87 Nm
M16 - 210 Nm

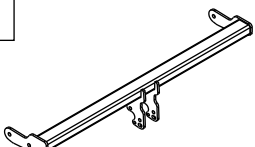

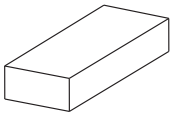



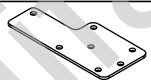
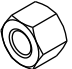
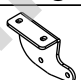
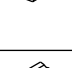
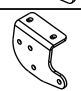

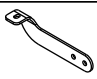
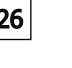


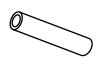

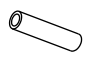

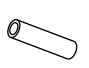







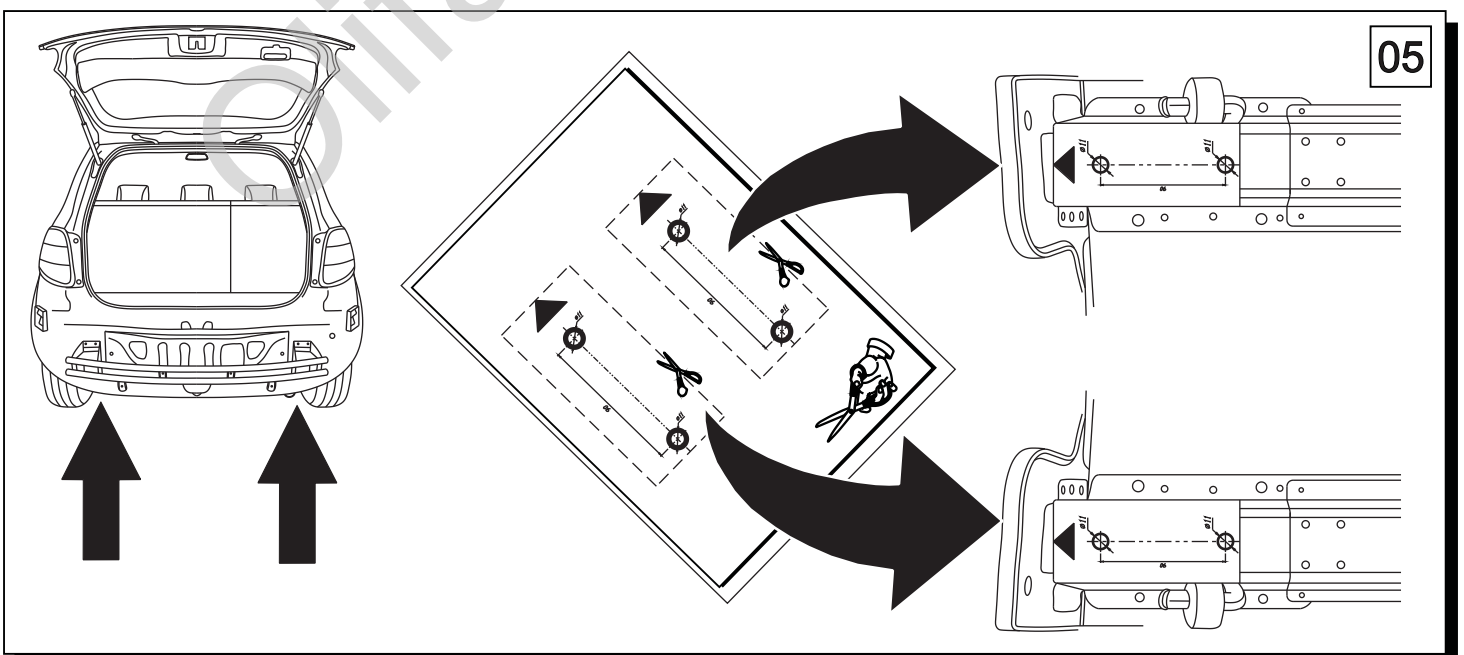
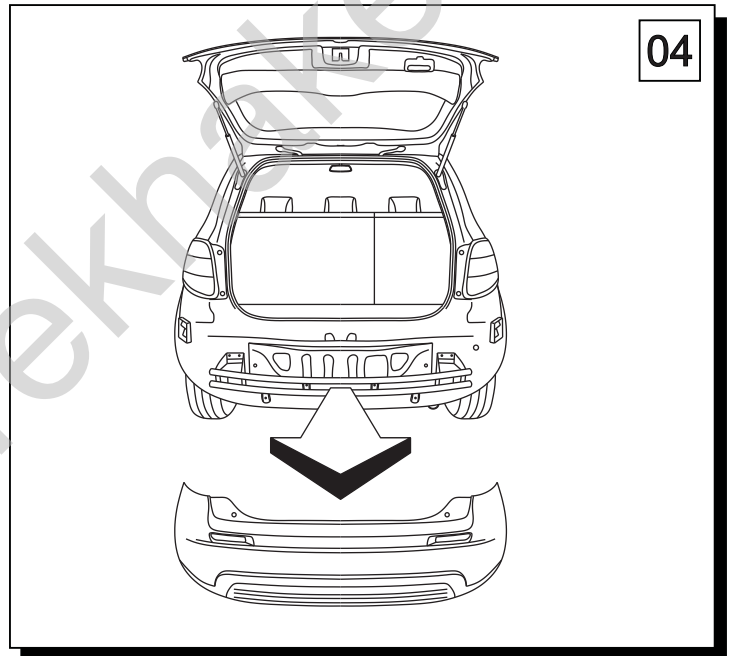
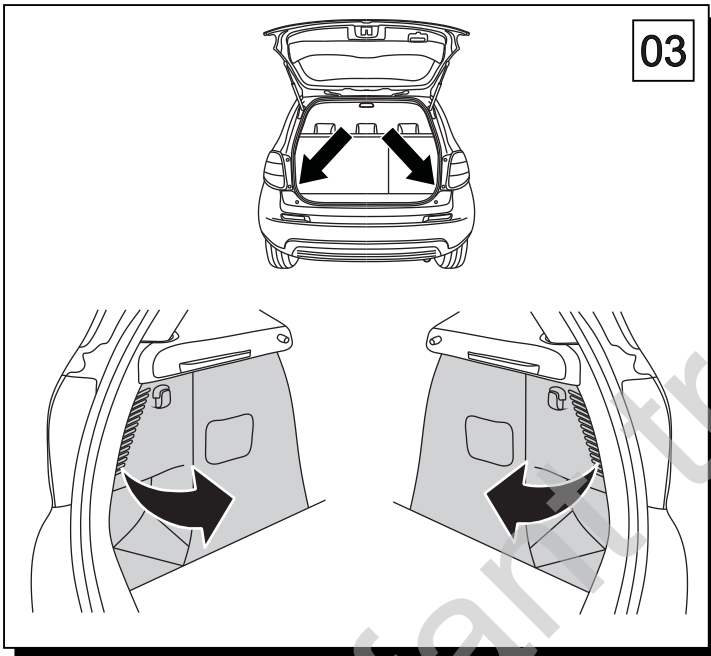
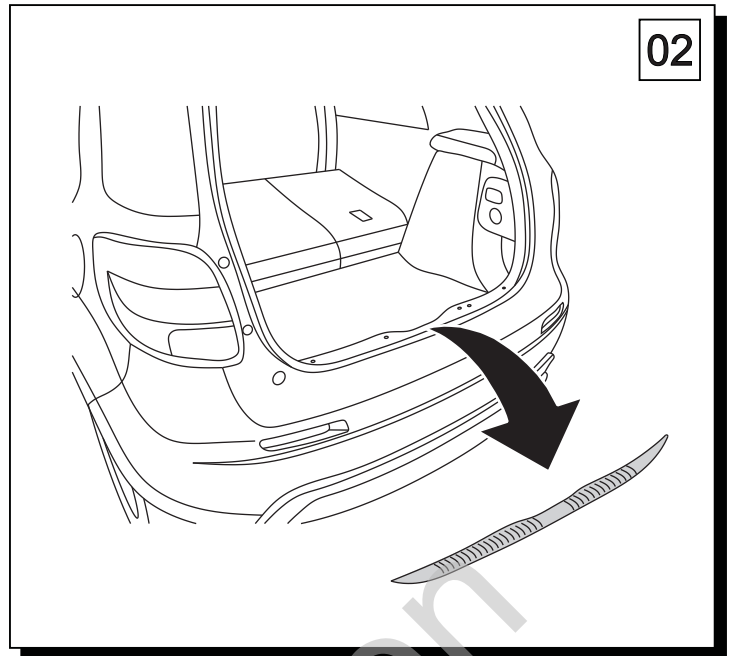
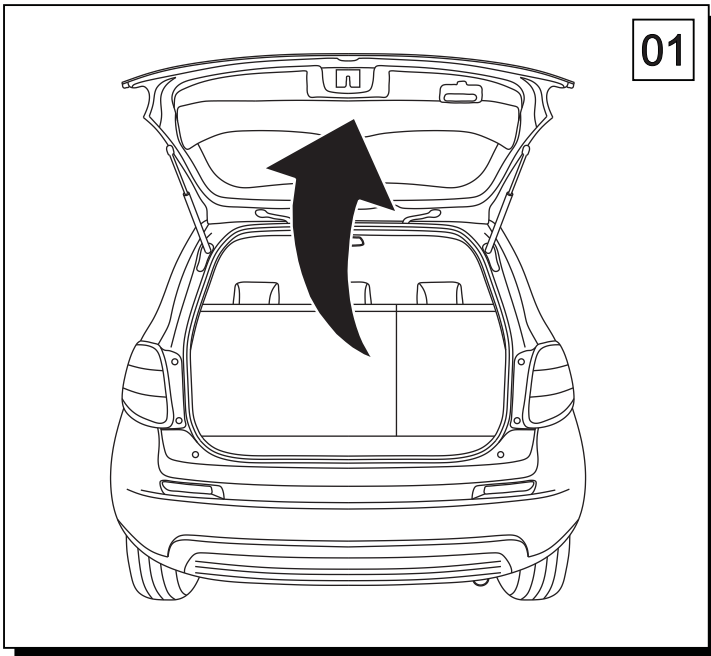
0 km →

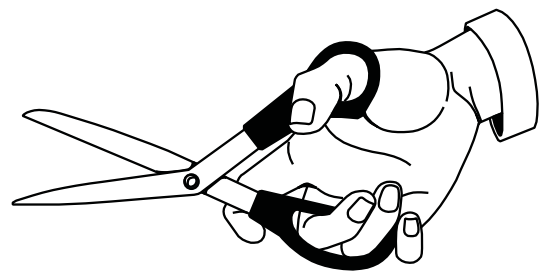
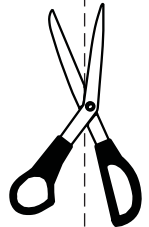
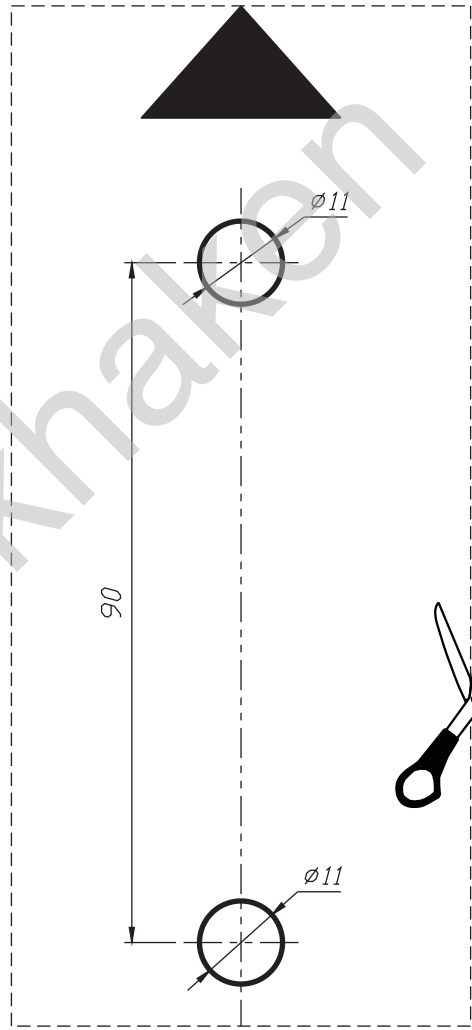
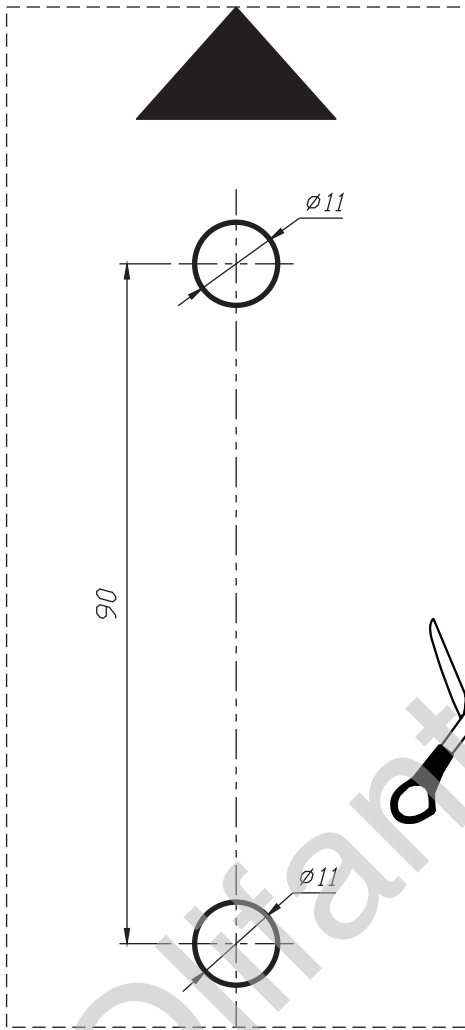


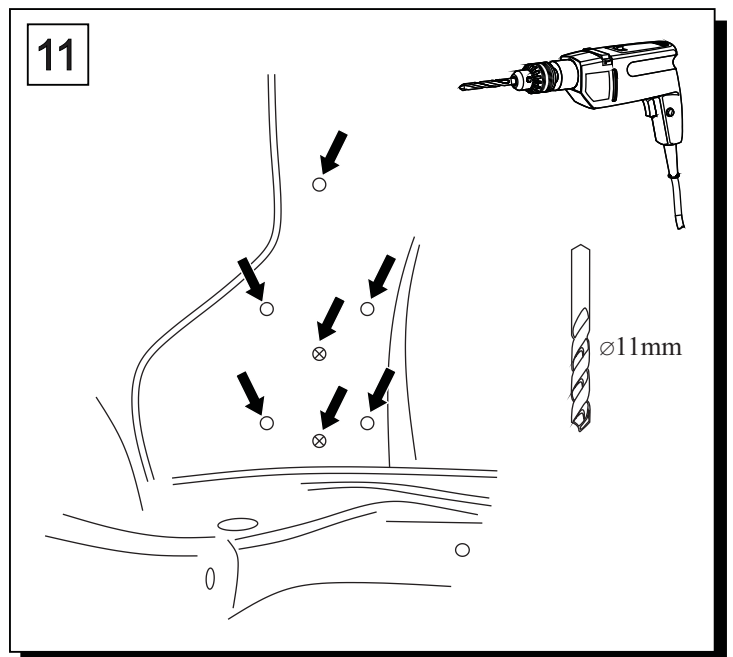
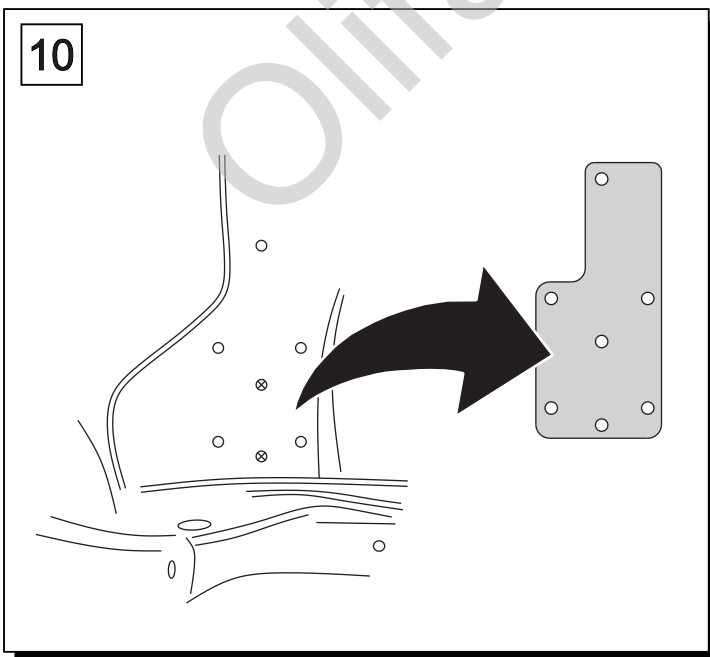
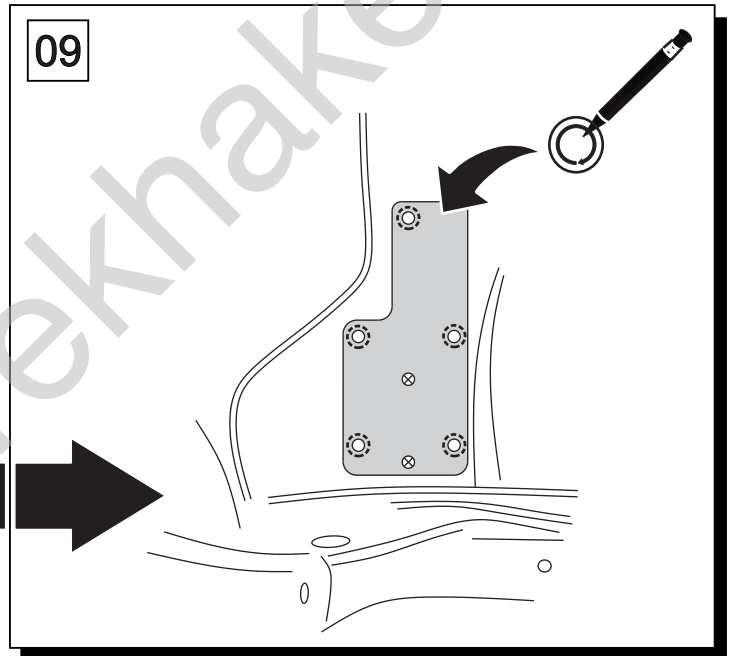
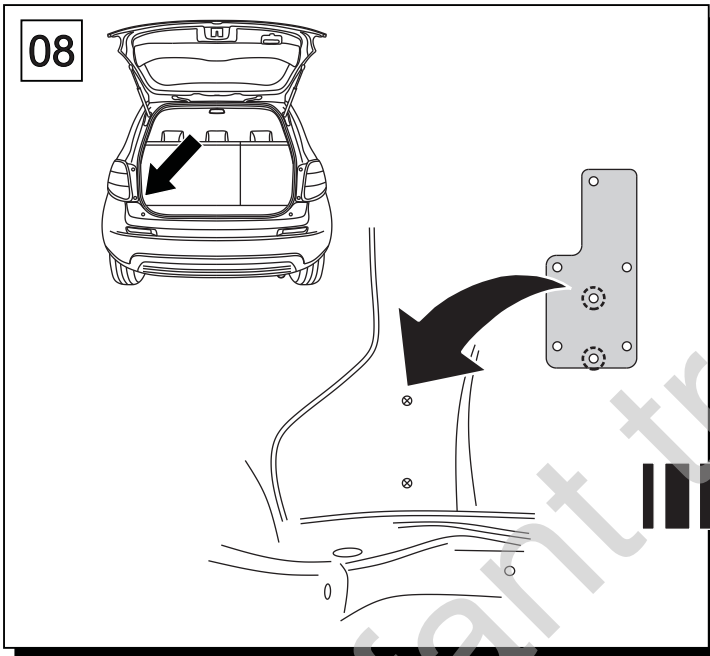
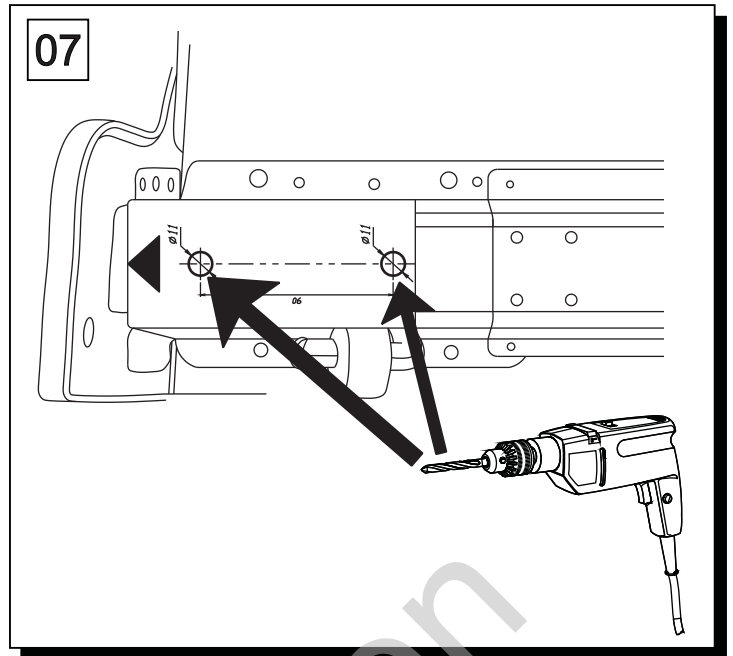
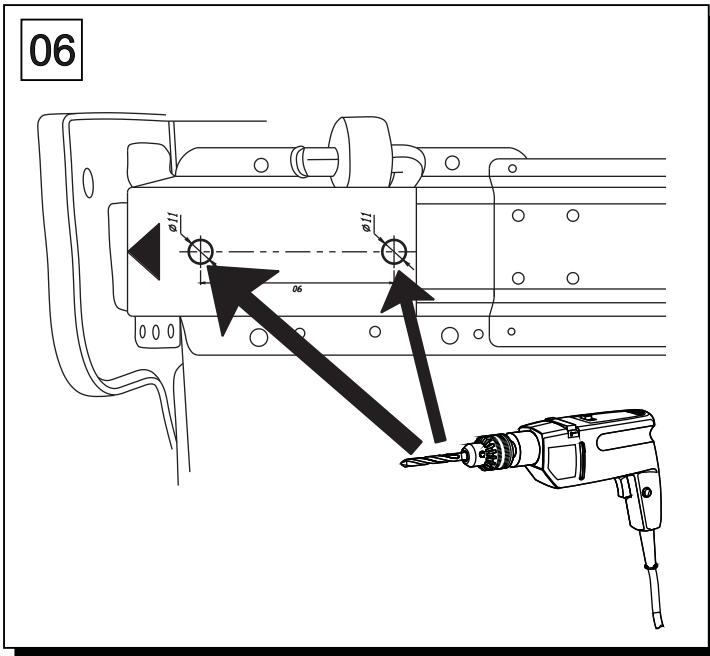
1000 km

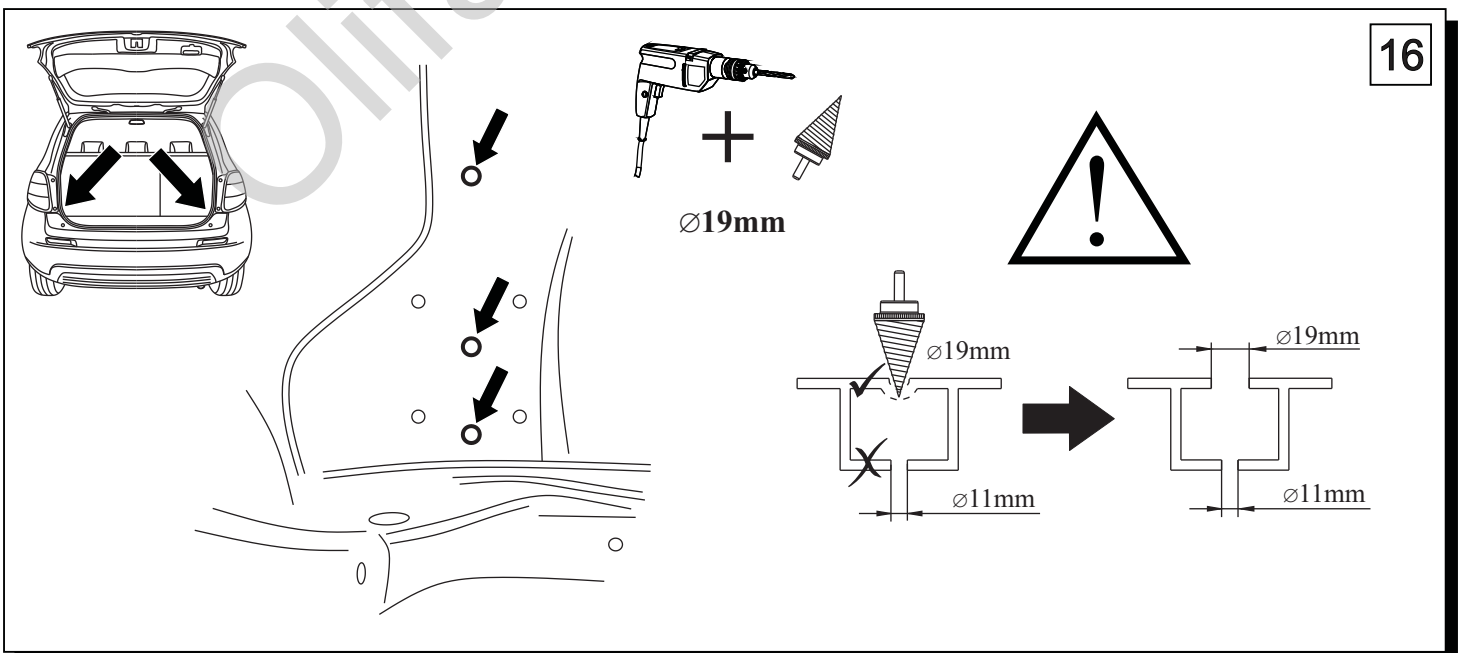
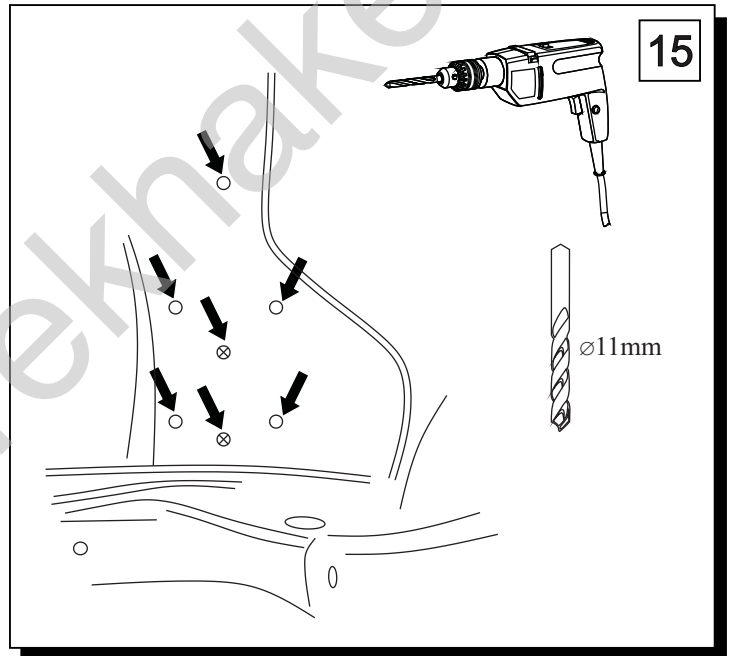
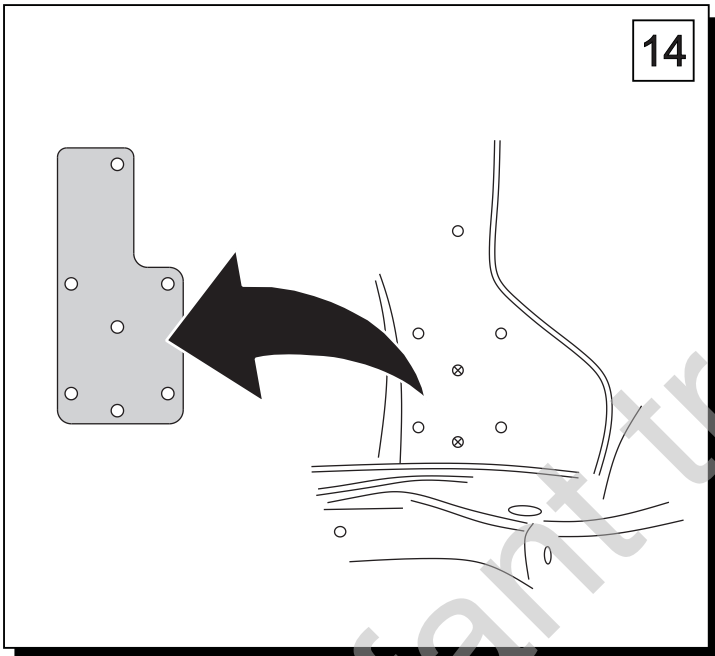
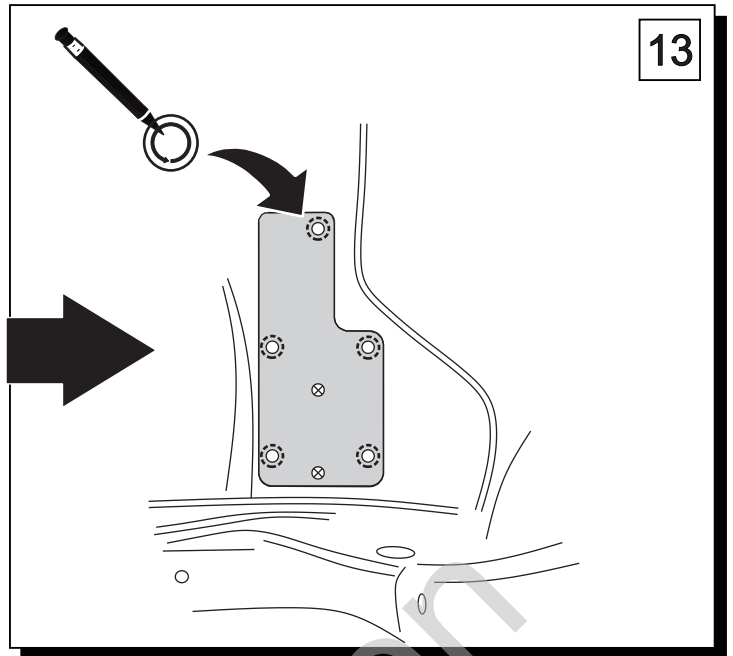
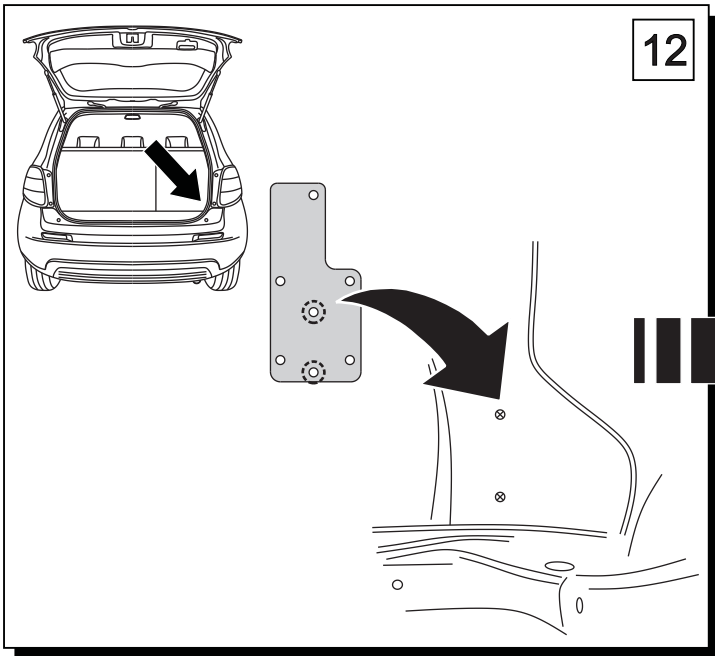


1		x1		12 M12x40	8
2	 Art.nr-KL1W26A	x1		13 M10x125	2
3	 Art.nr-BL1W26A	x1		14 M10x110	4
4		x2		15 M10x30	8
5		x1		16 M8x45	1
6		x1		17 \varnothing 13	8
7		x1		18 \varnothing 30x \varnothing 10.5x2.5 10 DIN 9021	10
8		x1		19 \varnothing 8.4	2
9	 \varnothing 18x3mm L=88.5mm	x2		20 \varnothing 12.2	8
10	 \varnothing 18x3mm L=76mm	x2		21 \varnothing 10.2	14
11	 \varnothing 18x3mm L=72mm	x2		22 M12	8
				23 M10	14
				24 M8	1
				25 M10 DIN 434	4
				26	x1













17

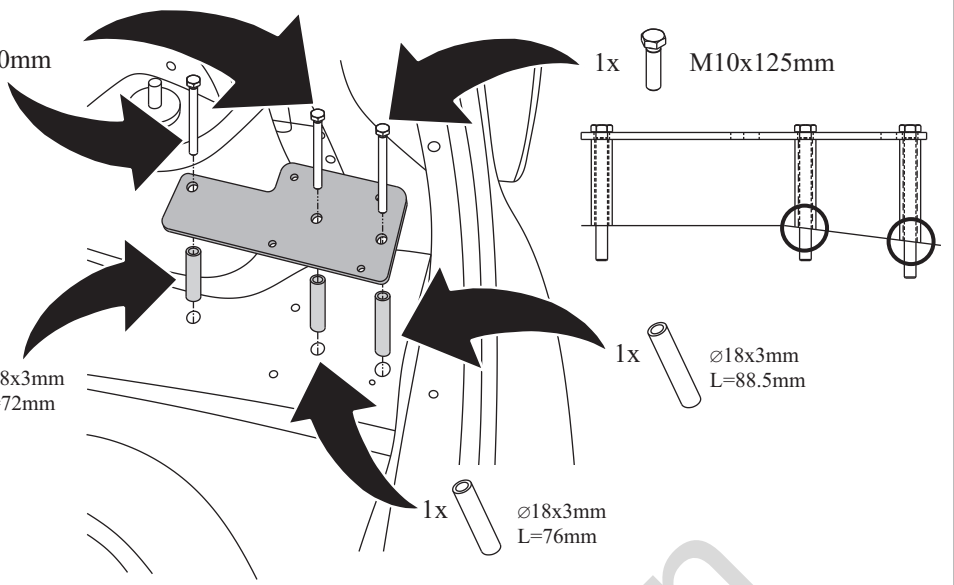
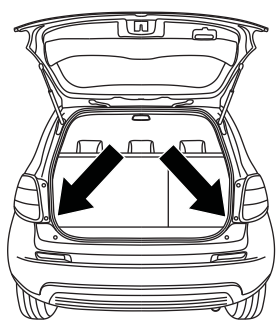
2x  M10x110mm

1x  M10x125mm


1x  ø18x3mm
L=72mm

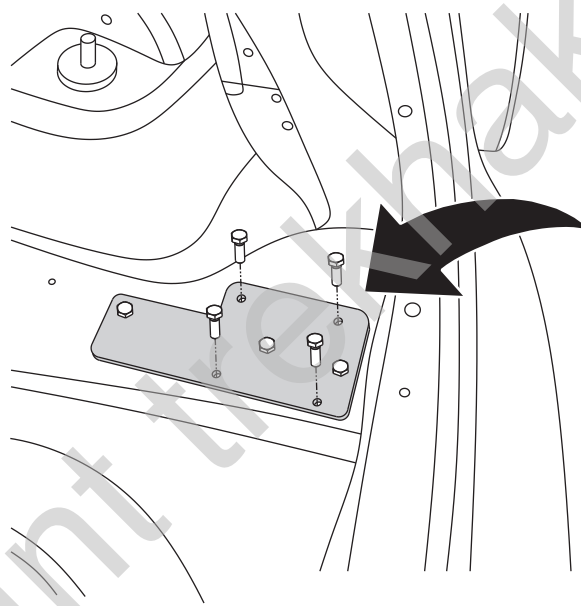
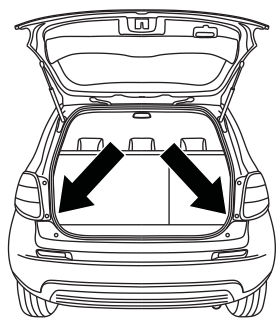
1x  ø18x3mm
L=88.5mm

1x  ø18x3mm
L=76mm



18

4x  M10x30mm

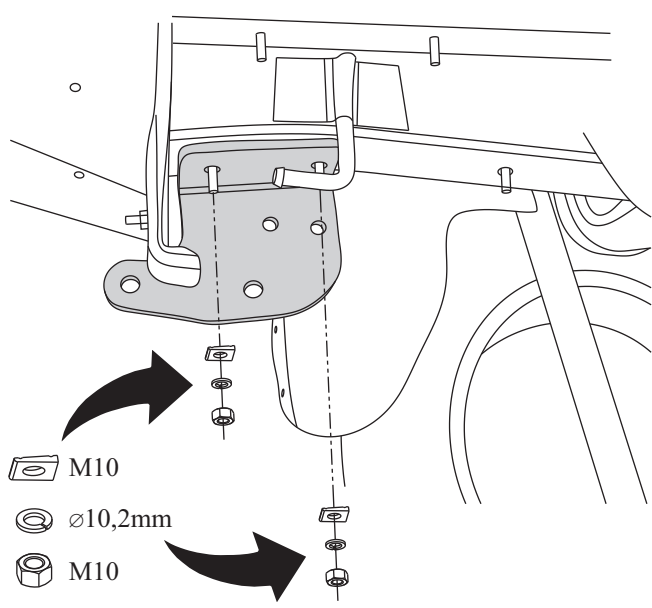
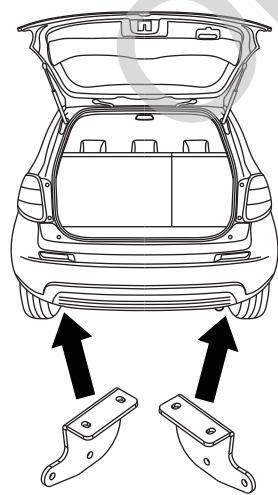


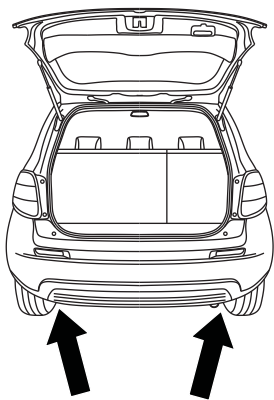
19




2x  M10

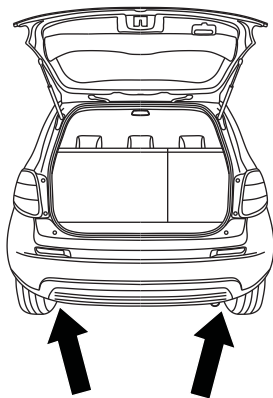
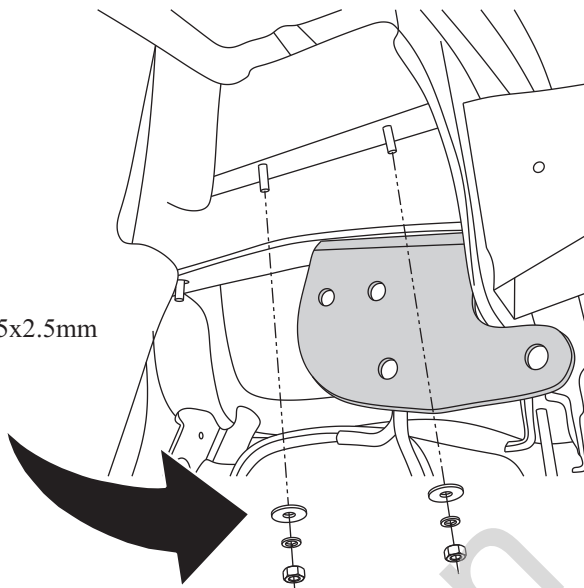
2x  ø10,2mm




2x  M10

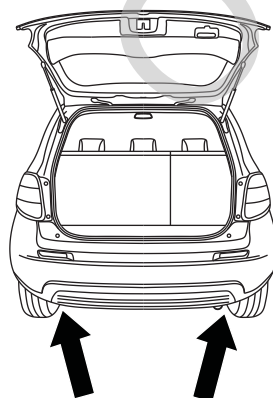
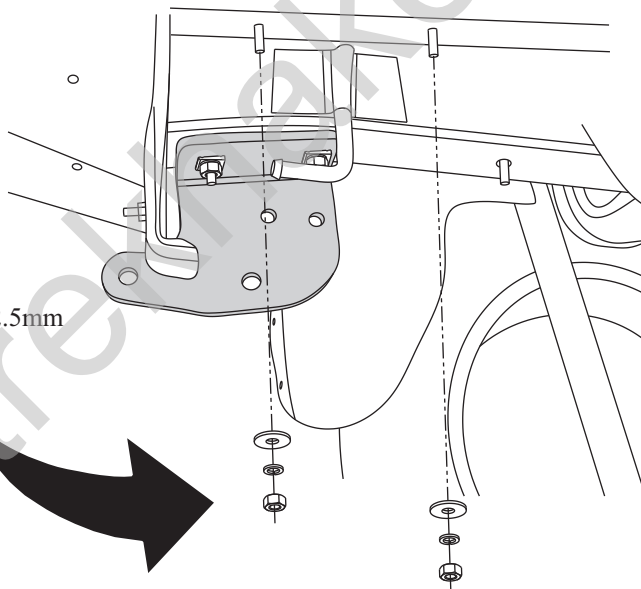




- 2x  $\varnothing 30 \times 10.5 \times 2.5 \text{mm}$
- 2x  $\varnothing 10,2 \text{mm}$
- 2x  M10

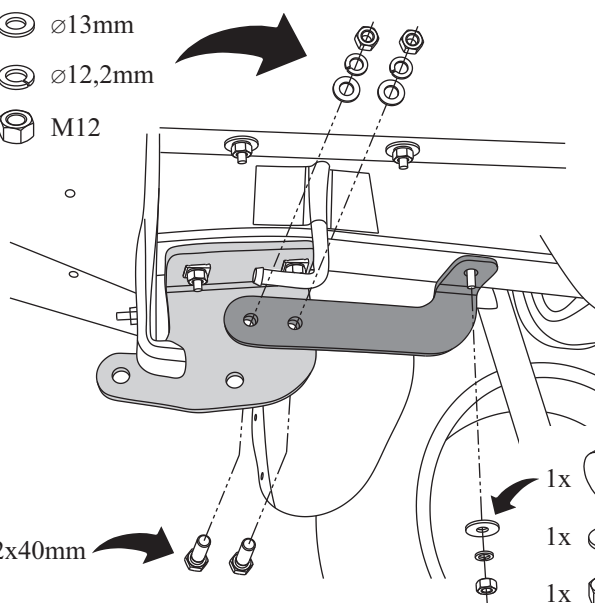





- 2x  $\varnothing 30 \times 10.5 \times 2.5 \text{mm}$
- 2x  $\varnothing 10,2 \text{mm}$
- 2x  M10



- 2x  $\varnothing 13 \text{mm}$
- 2x  $\varnothing 12,2 \text{mm}$
- 2x  M12

- 2x  M12x40mm



- 1x  $\varnothing 30 \times 10.5 \times 2.5 \text{mm}$
- 1x  $\varnothing 10,2 \text{mm}$
- 1x  M10

