

PPUH AUTO-HAK Sp.J.

Henryk i Zbigniew Nejman
ul. Słoneczna 16K 76-200 SŁUPSK
POLAND

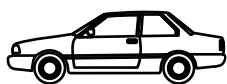
tel/fax +48 59 8 414 414; +48 59 8 414 413

e-mail: office@autohak.com.pl

www.autohak.com.pl



AUTO-HAK



SUZUKI SX4 2WD, 5D

06.2006 →

FIAT SEDICI 2WD, 5D

04.2006 →

Cat. no:

W25A

E20

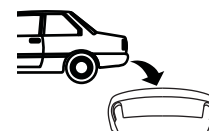
E20-55R-01 5326



3h

D

7,30 kN

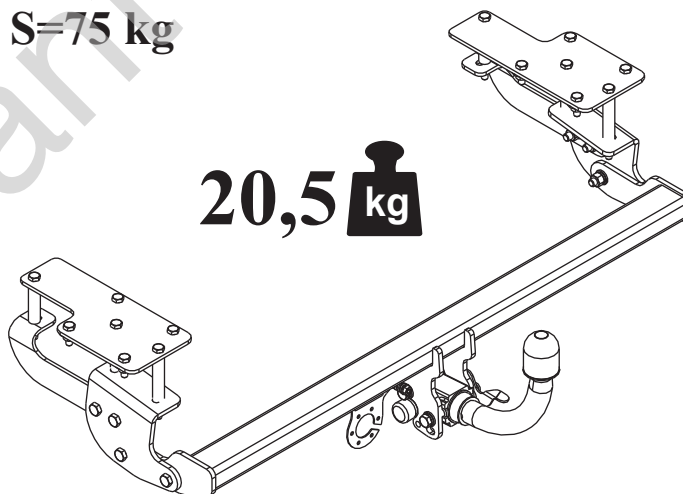


R=1250 kg



S=75 kg

20,5 kg



M6 - 11 Nm
M10 - 50 Nm
M14 - 138 Nm

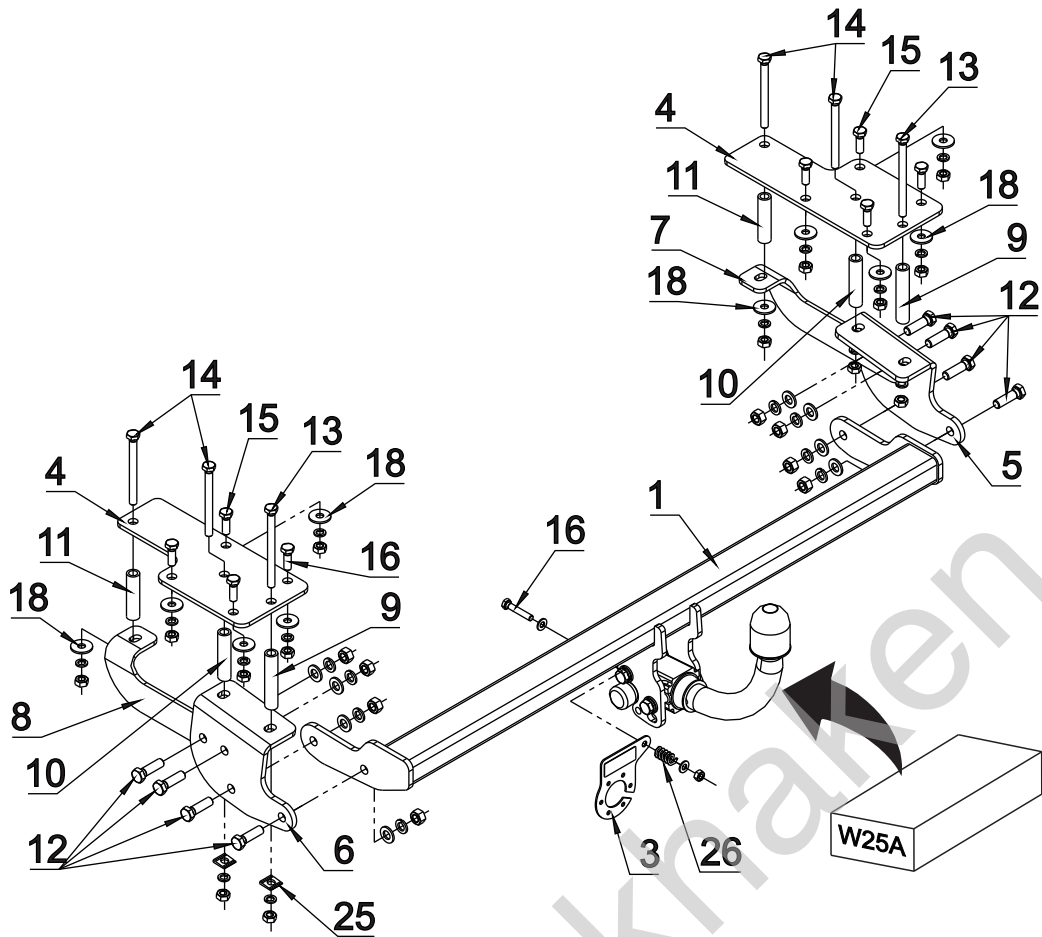
M8 - 25 Nm
M12 - 87 Nm
M16 - 210 Nm

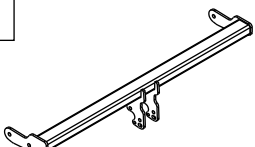

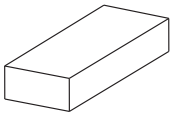



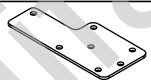
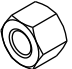

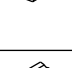


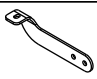
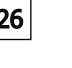


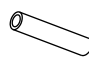

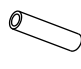
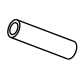


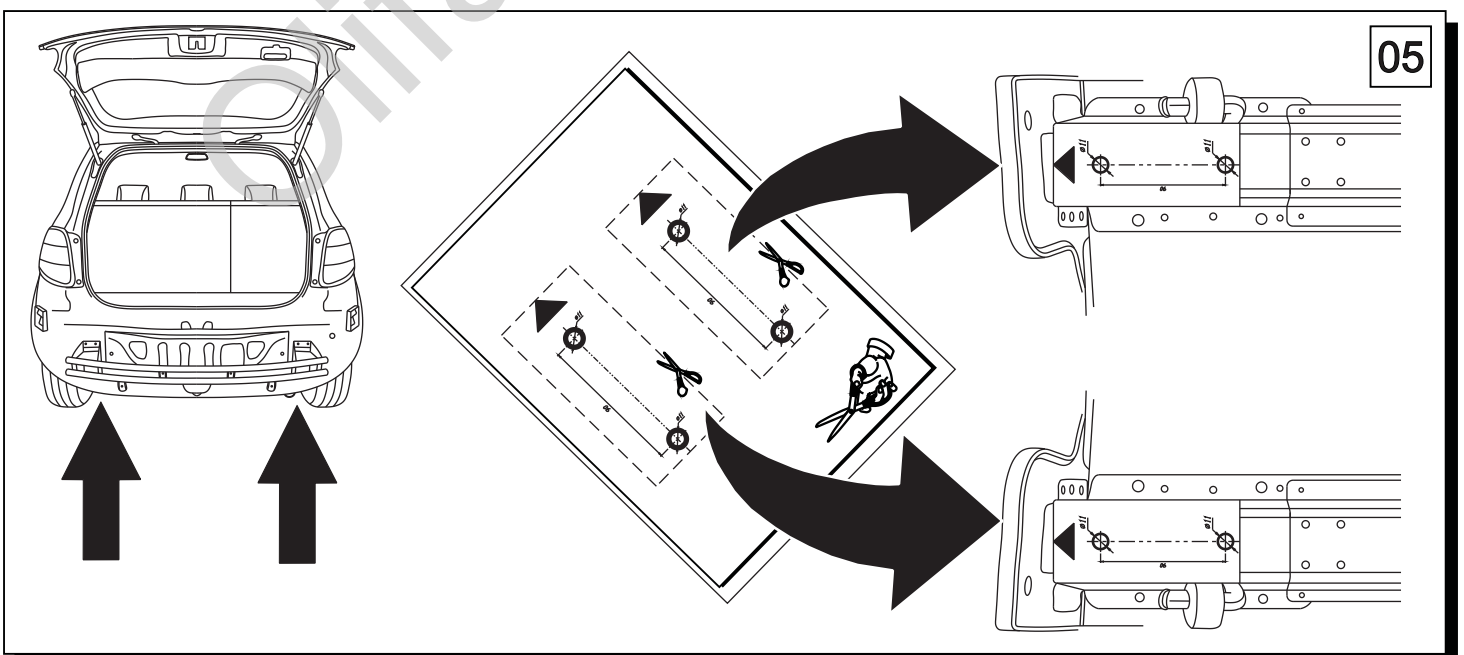
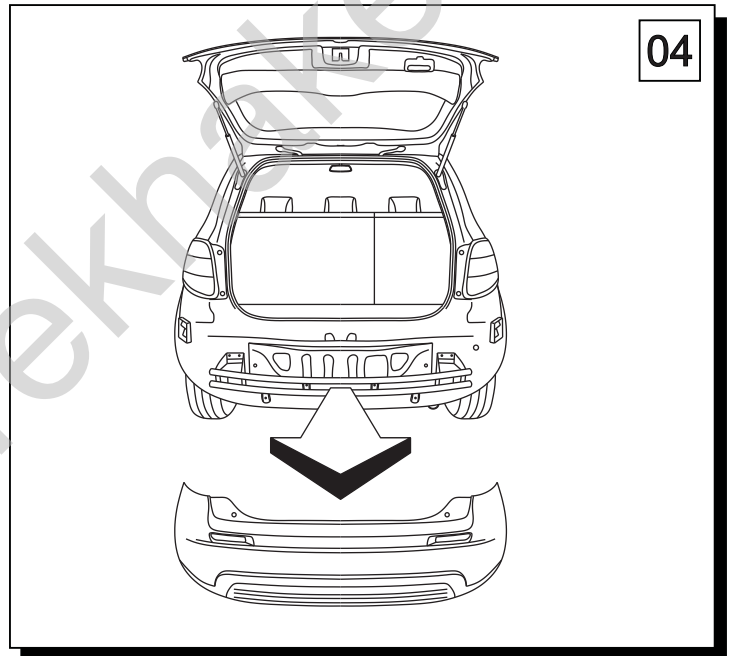
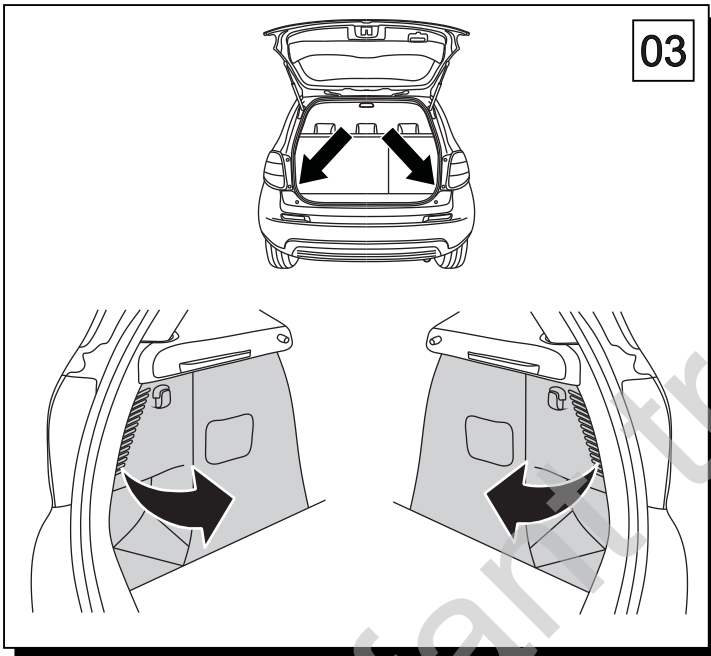
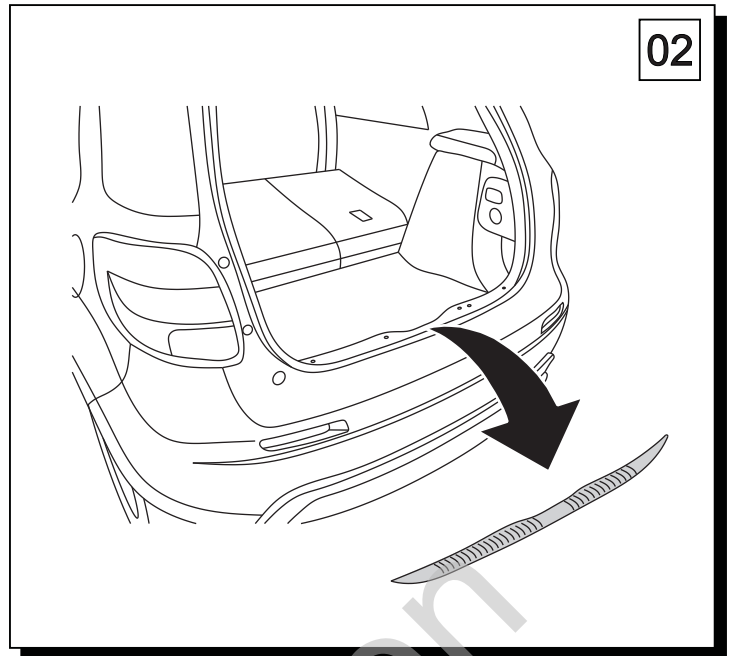
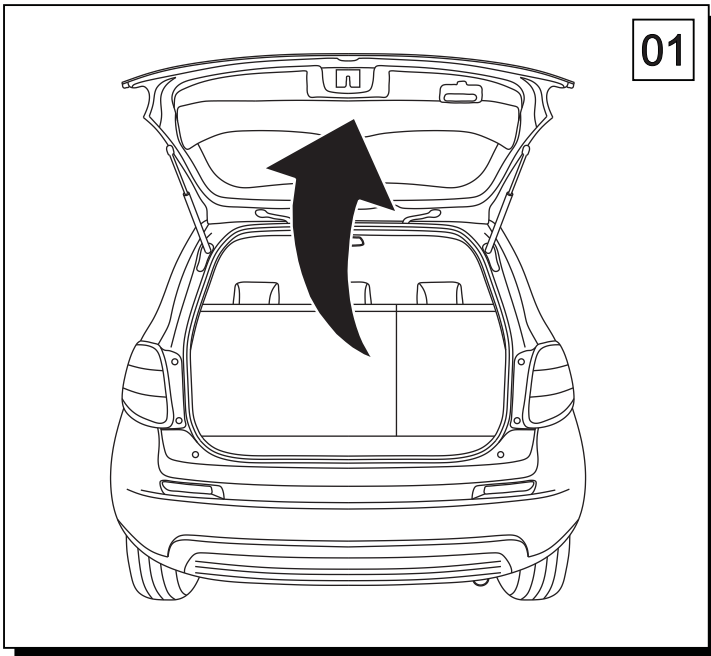
0 km →

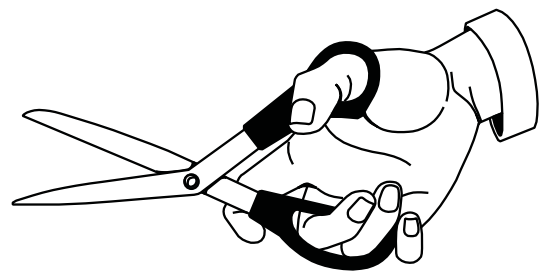
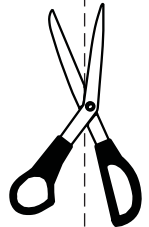
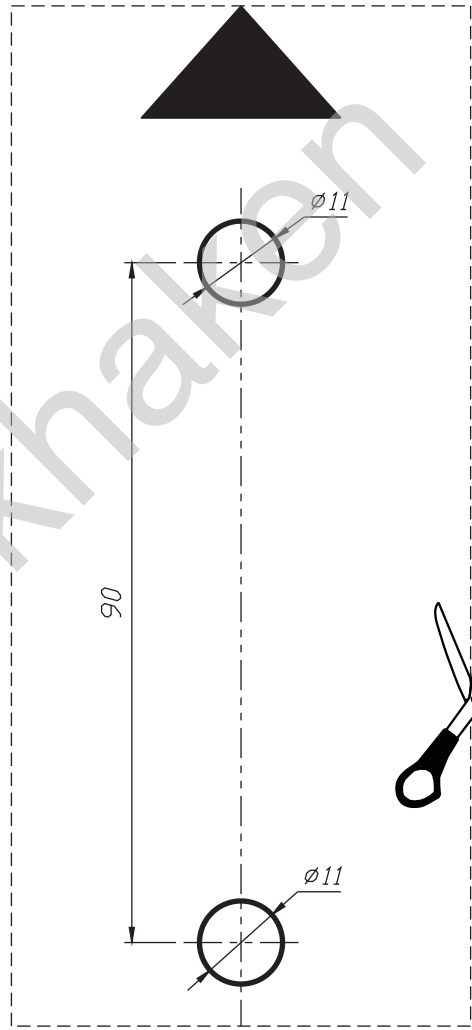
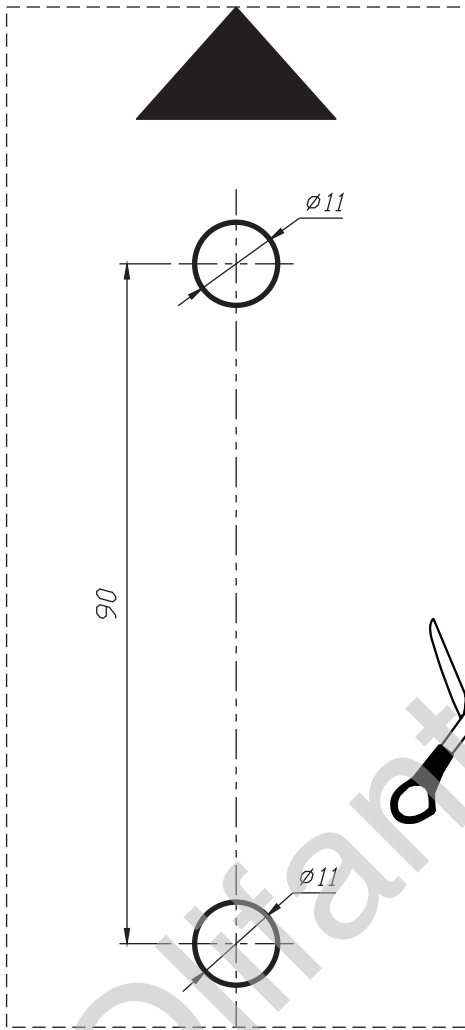


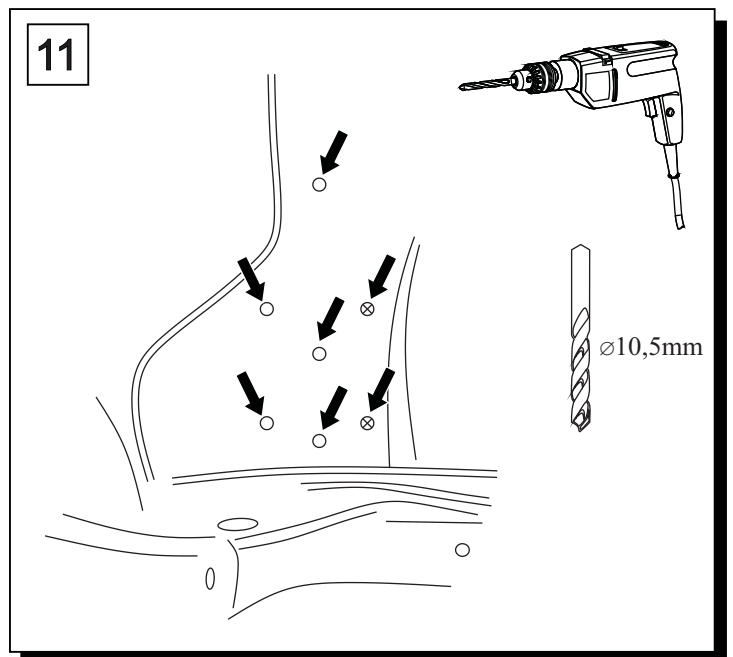
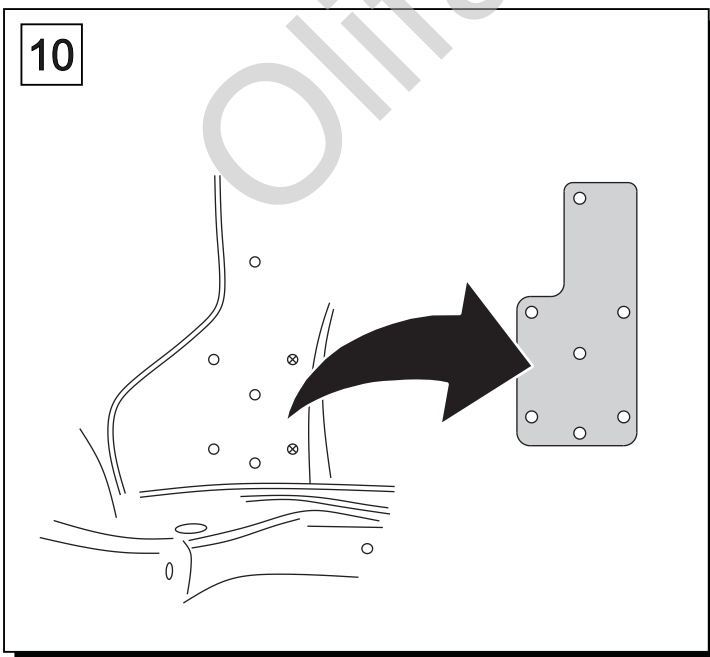
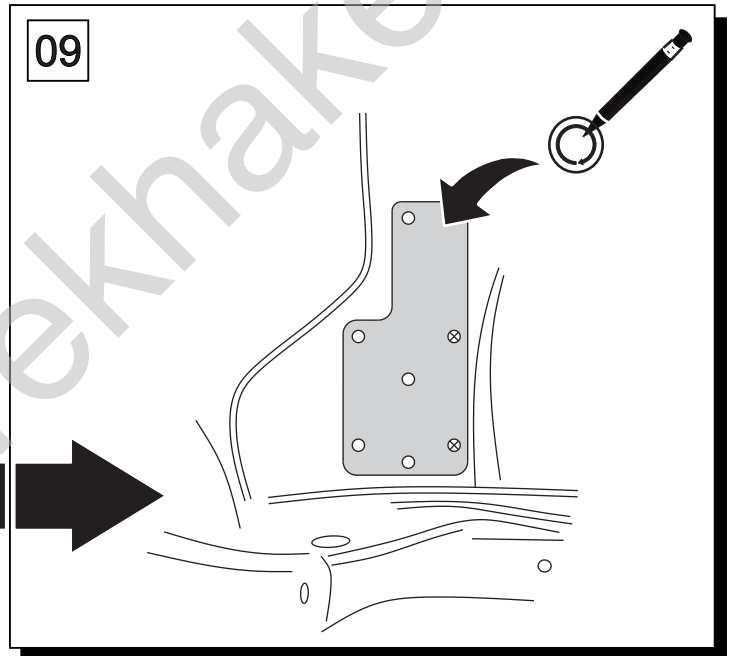
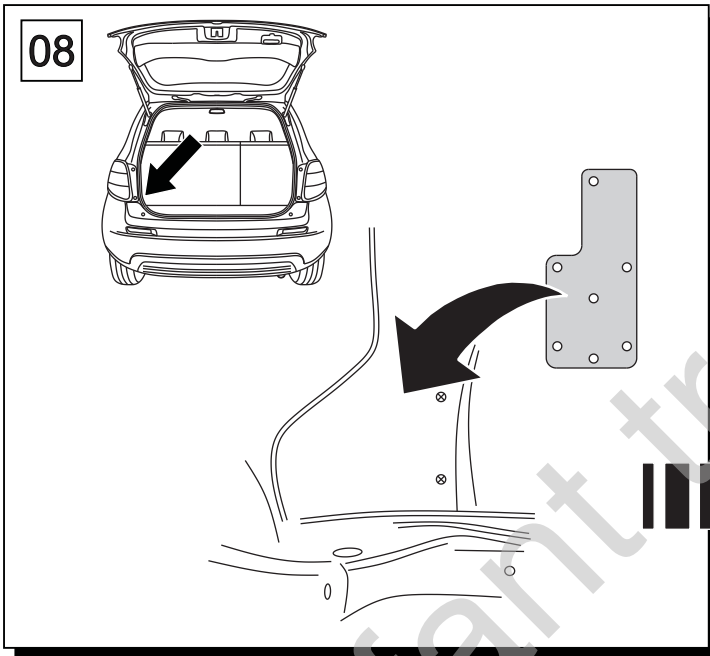
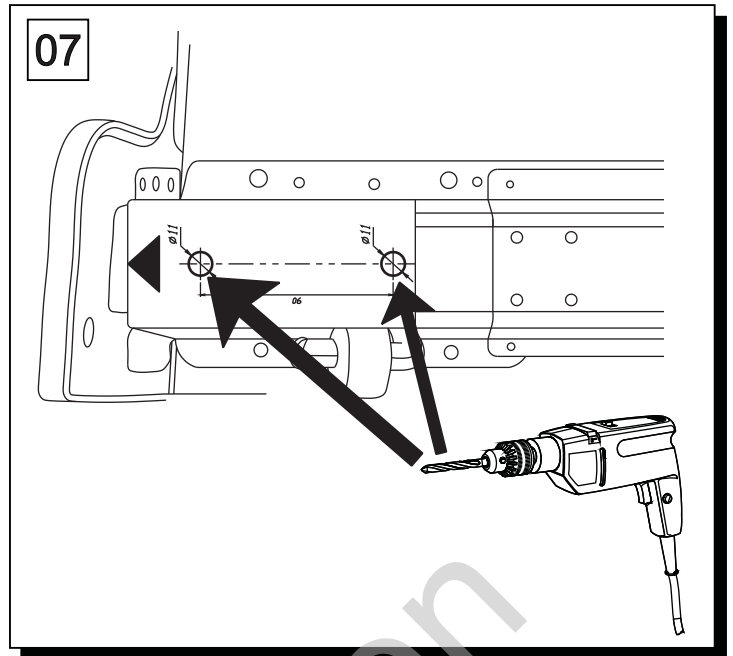
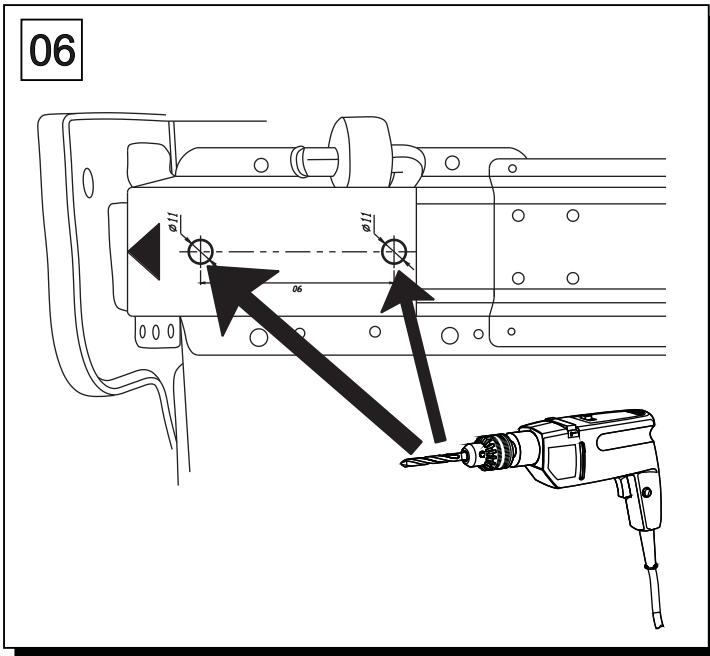
1000 km

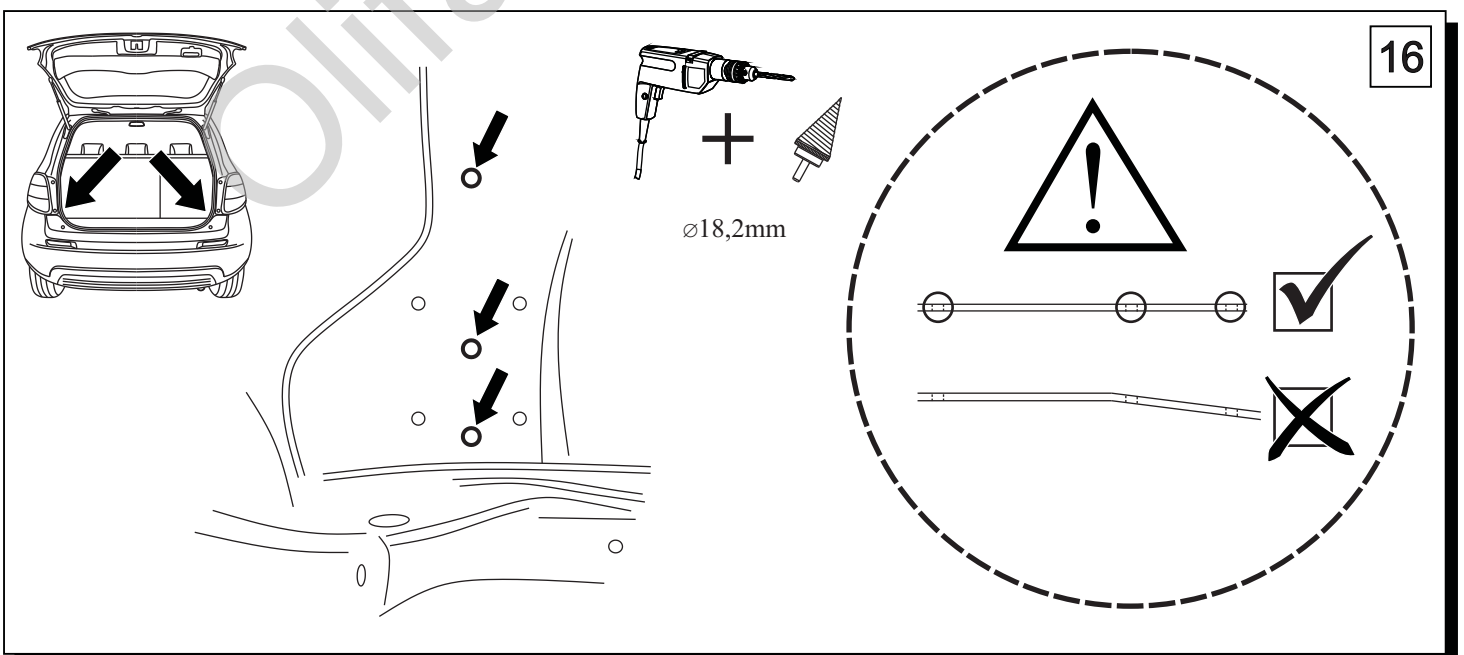
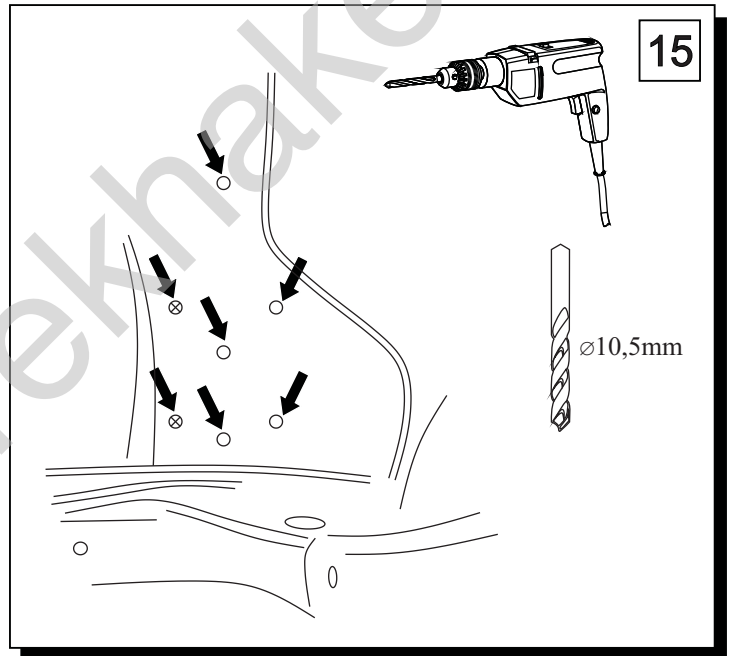
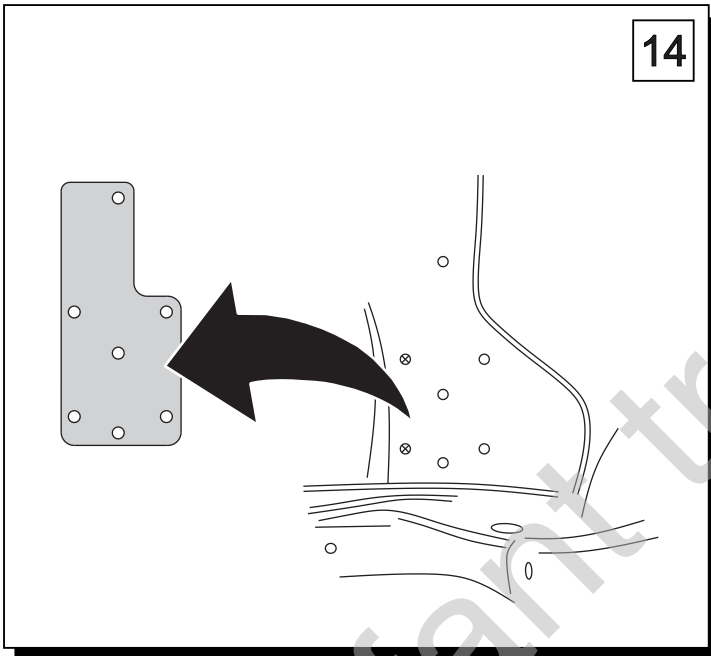
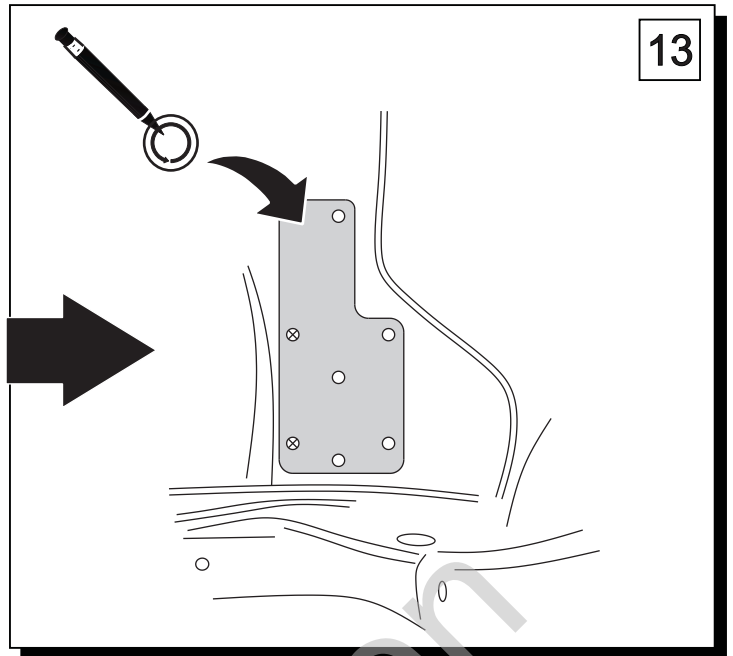
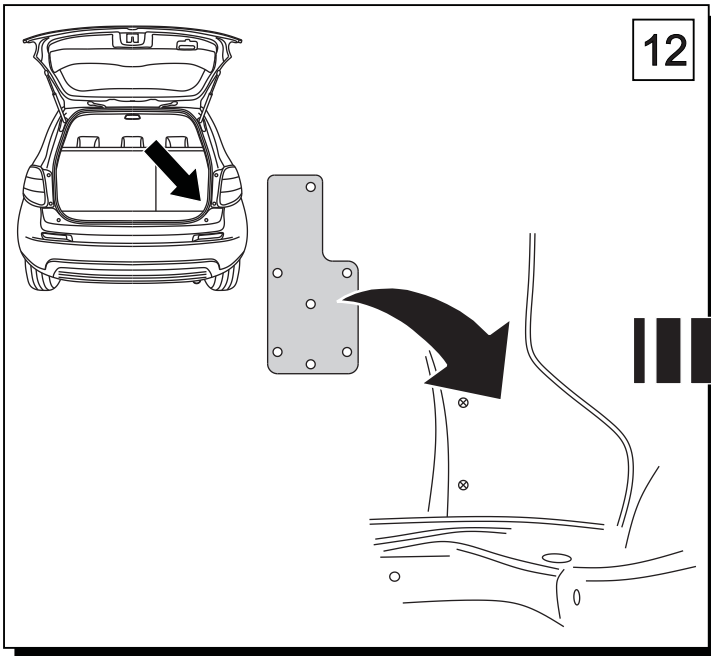


1		x1		12	M12x40	8
2	 Art.nr-KL1W25A	x1		13	M10x125	2
				14	M10x110	4
3	 Art.nr-BL1W25A	x1		15	M10x30	8
				16	M8x45	1
4		x2		17	∅ 13	8
5		x1		18	∅ 30x∅10.5x2.5 10 DIN 9021	10
				19	∅ 8.4	2
6		x1		20	∅ 12.2	8
				21	∅ 10.2	14
7		x1		22	M12	8
				23	M10	14
8		x1		24	M8	1
				25	M10 DIN 434	4
9		x2		26		x1
10		x2				
11		x2				













17

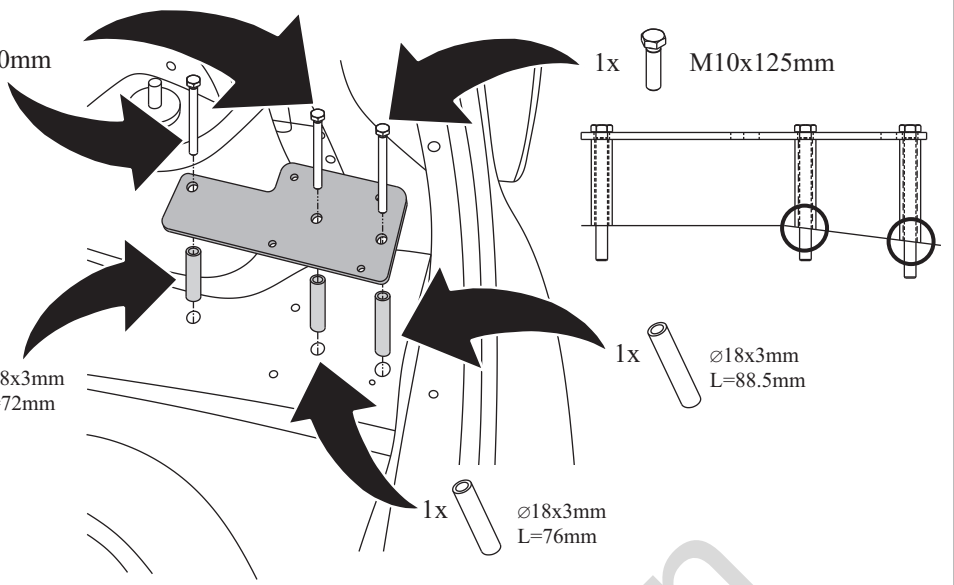
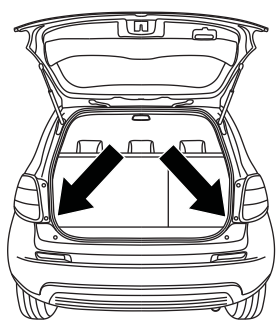
2x  M10x110mm

1x  M10x125mm


1x  ø18x3mm
L=72mm

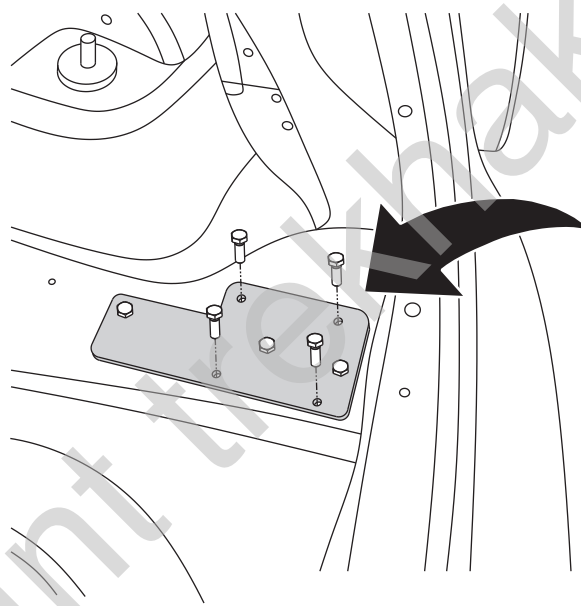
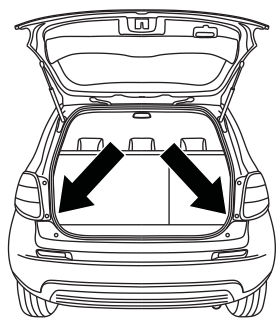
1x  ø18x3mm
L=88.5mm

1x  ø18x3mm
L=76mm



18

4x  M10x30mm

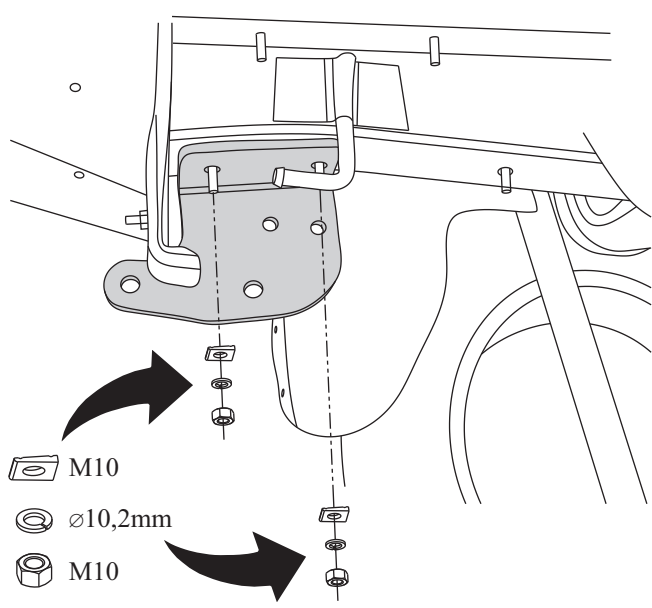
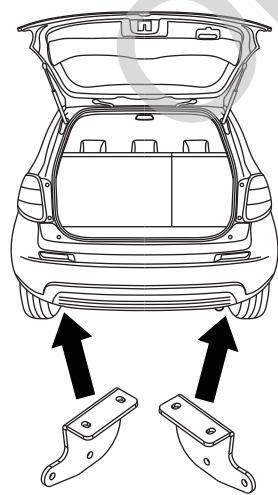


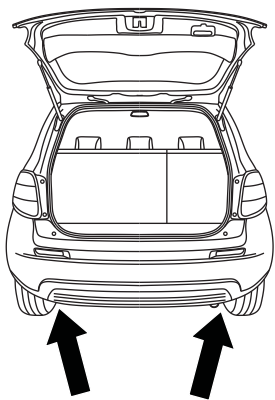
19




2x  M10

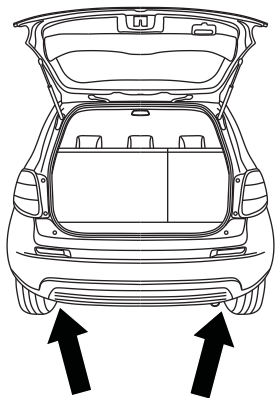
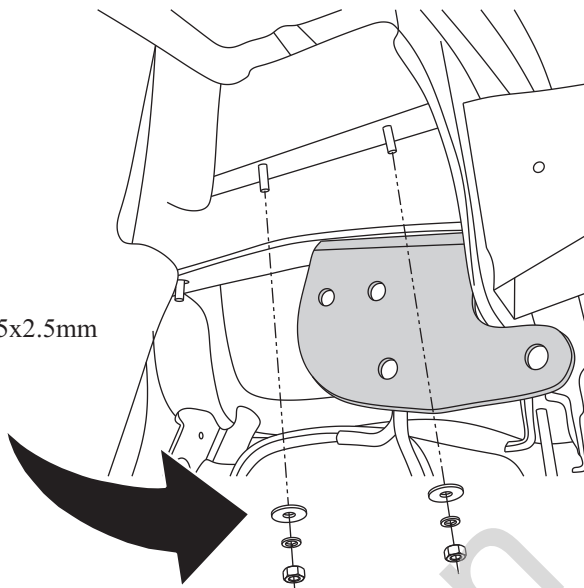
2x  ø10,2mm




2x  M10

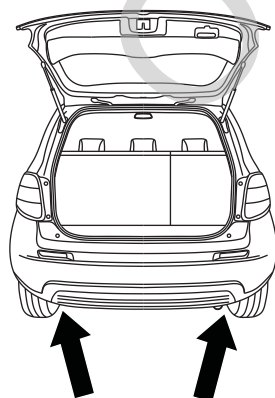
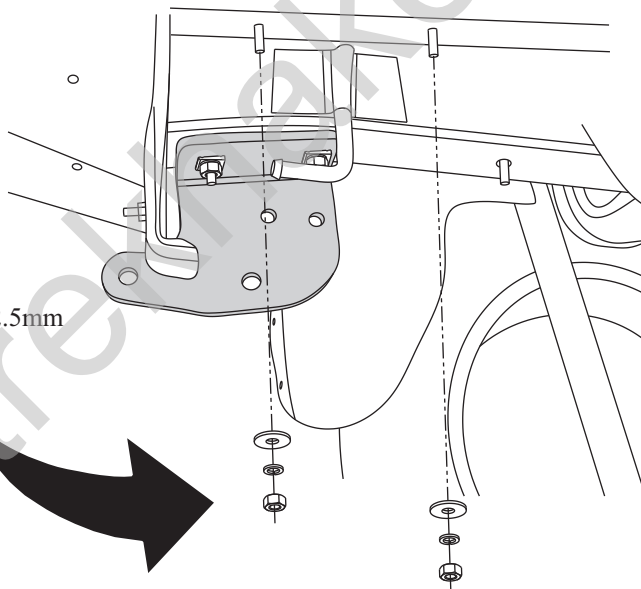


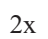

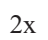






- 2x  $\varnothing 30 \times 10.5 \times 2.5 \text{mm}$
- 2x  $\varnothing 10,2 \text{mm}$
- 2x  M10



- 2x  $\varnothing 30 \times 10.5 \times 2.5 \text{mm}$
- 2x  $\varnothing 10,2 \text{mm}$
- 2x  M10



- 2x  $\varnothing 13 \text{mm}$
 - 2x  $\varnothing 12,2 \text{mm}$
 - 2x  M12
-
- 2x  M12x40mm
-
- 1x  $\varnothing 30 \times 10.5 \times 2.5 \text{mm}$
 - 1x  $\varnothing 10,2 \text{mm}$
 - 1x  M10

