

AUTO-HAK Sp. z o.o.

ul. Słoneczna 16K 76-200 SŁUPSK
POLAND

tel/fax +48 59 8 414 414; +48 59 8 414 413

e-mail: office@autohak.com.pl

www.autohak.com.pl



AUTO-HAK

SUZUKI GRAND VITARA 3D (JT)

Nr kat.

W24A



10.2005 → 07.2010

e20

e20*94/20*0016*00



2h

D

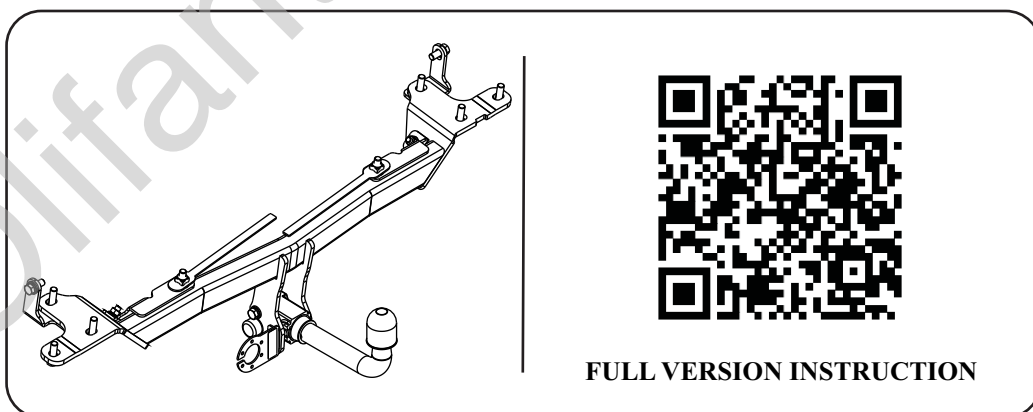
8,85 kN



R=1600 kg



S=85 kg



FULL VERSION INSTRUCTION



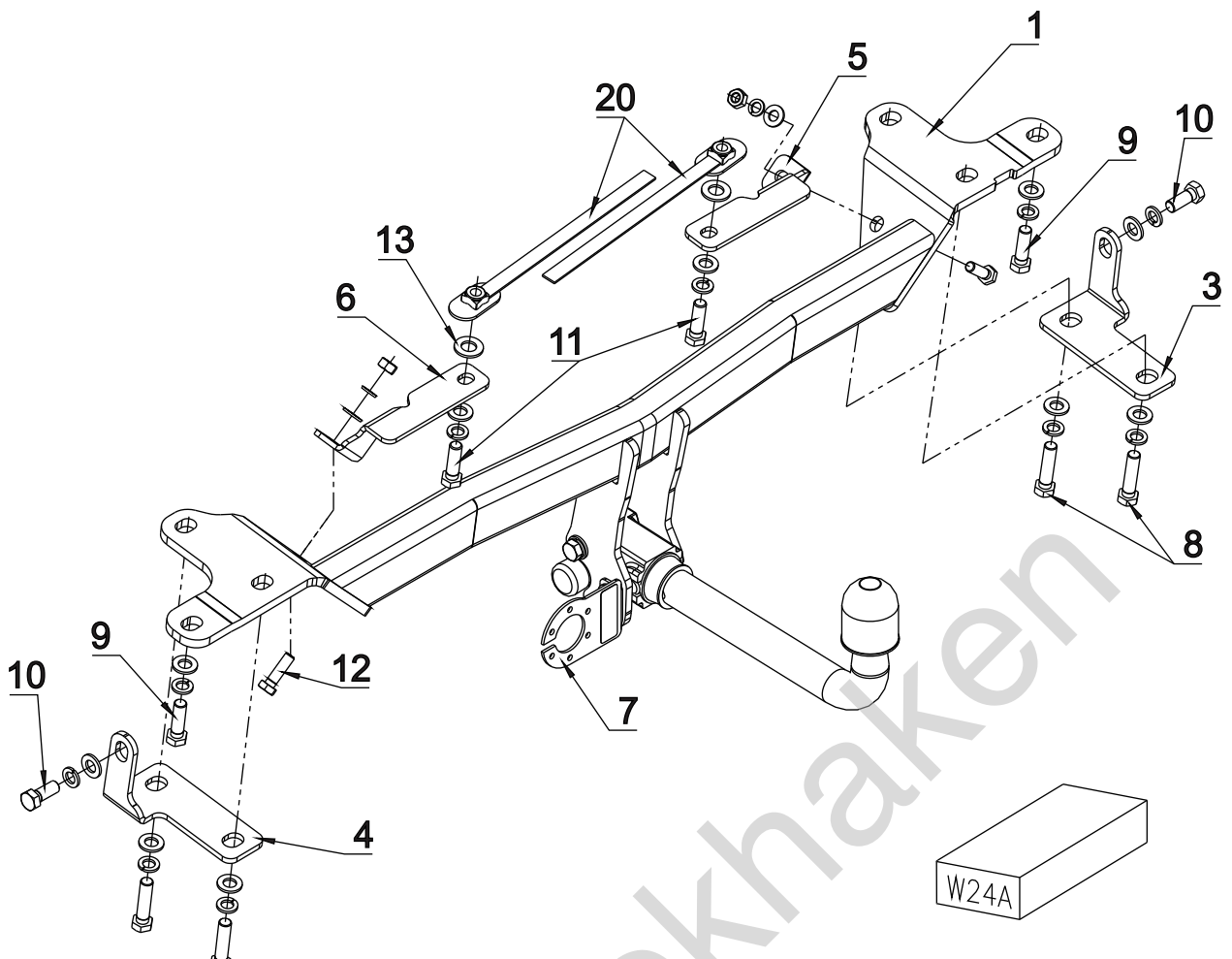
śruba	Nm	M6	M8	M10	M12	M14	M16
klasa 8.8		9,9	24	48	83	132	200
klasa 10.9		14	34	67	117	185	285

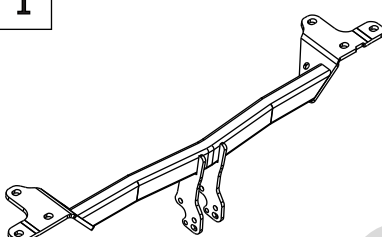
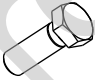
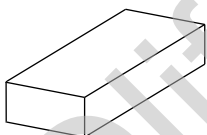

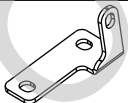

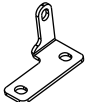
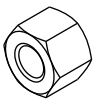
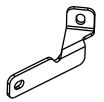


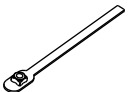
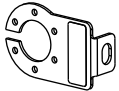


0 km →



1000 km



1		x 1		8 M 12x1,25x50	x 4
2	 Art.nr-KL1W24A	x 1		9 M 12x1,25x40	x 2
				10 M 12x1,25x30	x 2
				11 M 12x40	x 2
				12 M 10x35	x 2
3		x 1		13 \varnothing 15	x 2
				14 \varnothing 13	x 10
				15 \varnothing 10,5	x 2
4		x 1		16 \varnothing 12.2	x 10
				17 \varnothing 10.2	x 2
5		x 1	19		x 1
6		x 1	20		x 2
7	 Art.nr-BL1W24A	x 1			

