

# PPUH AUTO-HAK Sp.J.

Henryk & Zbigniew Nejman  
ul. Słoneczna 16K 76-200 SŁUPSK  
POLAND

tel/fax +48 059 8-414-414; 8-414-413

e-mail: [office@autohak.com.pl](mailto:office@autohak.com.pl)

[www.autohak.com.pl](http://www.autohak.com.pl)



# AUTO-HAK



## SUZUKI GRAND VITARA 5D, (JT), include engine 2,4l

Cat. no:

**W23A**



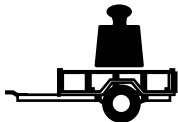
10.2005 → 2015



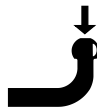
**E20-55R-01 4202**



10,5 kN



R=2000 kg



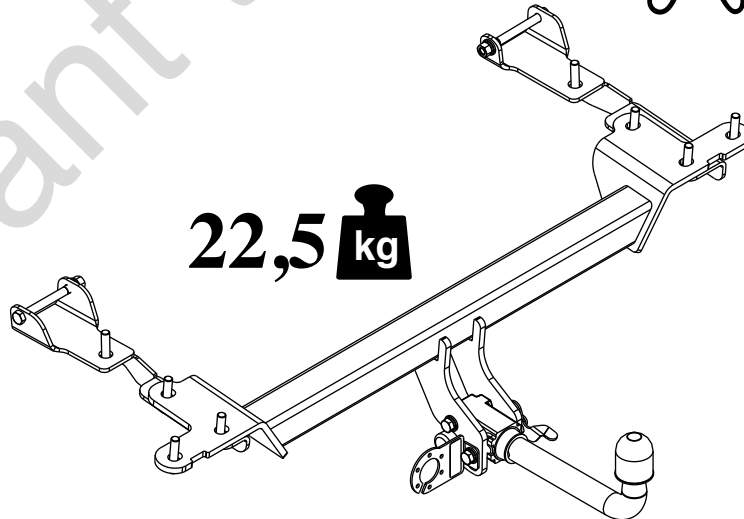
S=85 kg



1,5h



22,5 kg



M6 - 11 Nm  
M10 - 50 Nm  
M14 - 138 Nm

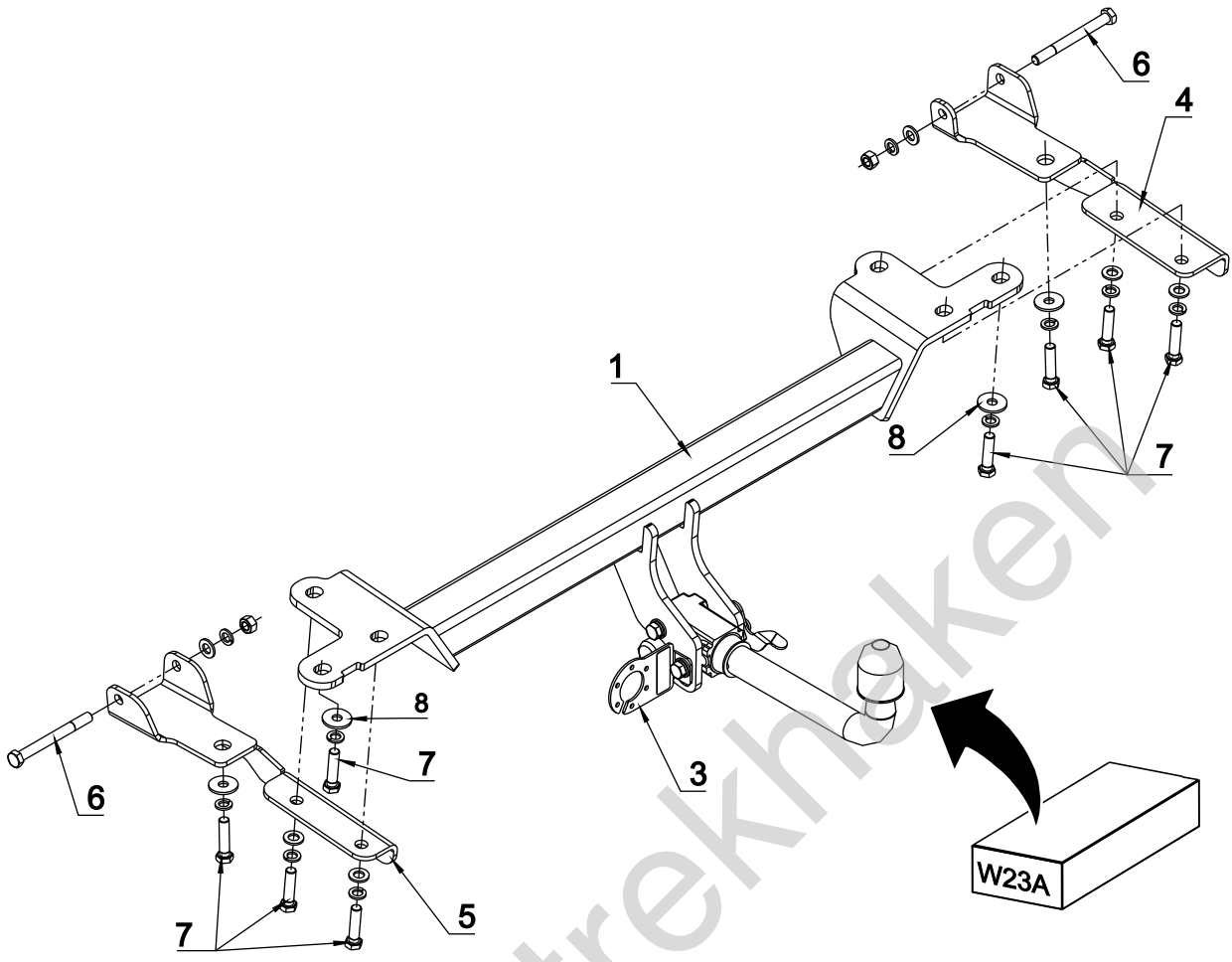
M8 - 25 Nm  
M12 - 87 Nm  
M16 - 210 Nm

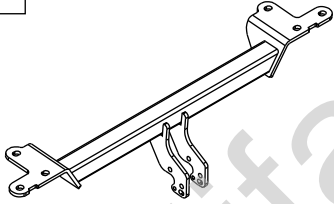
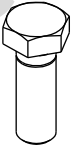

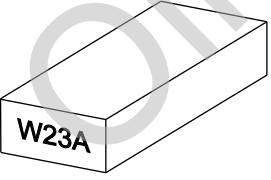


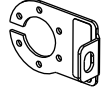

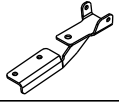
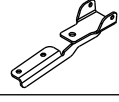


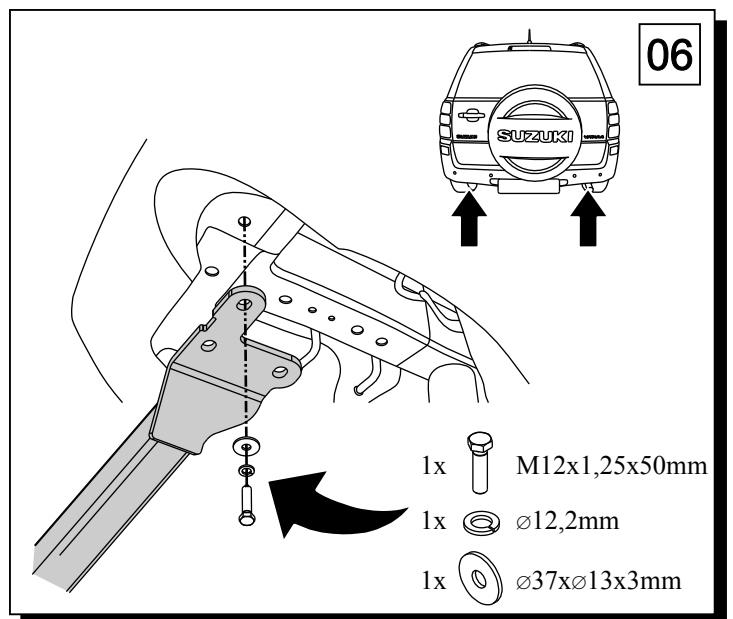
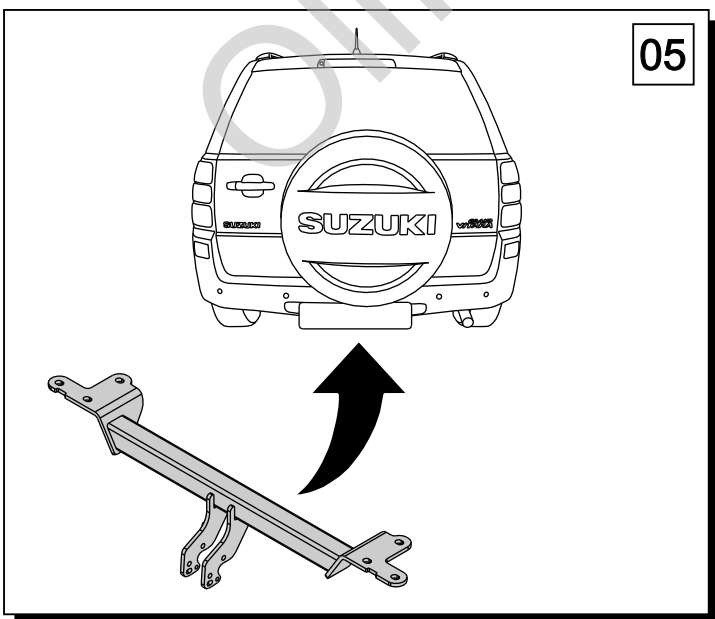
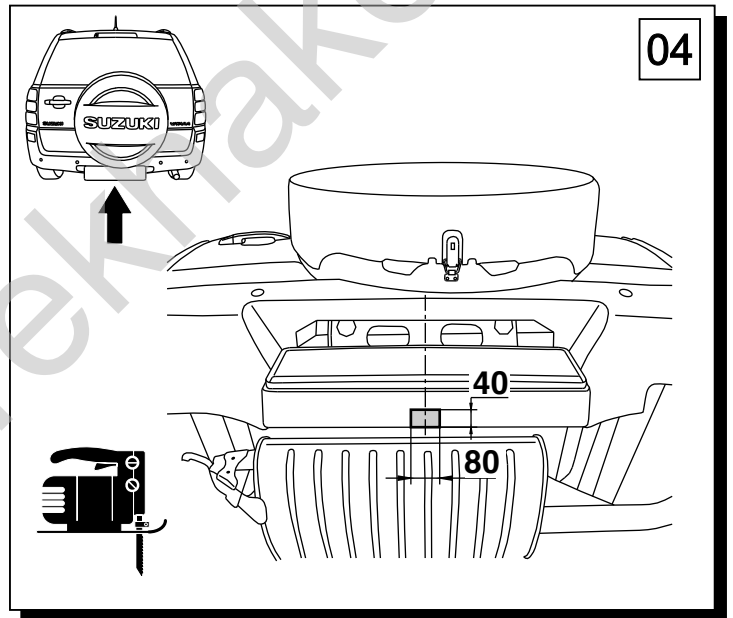
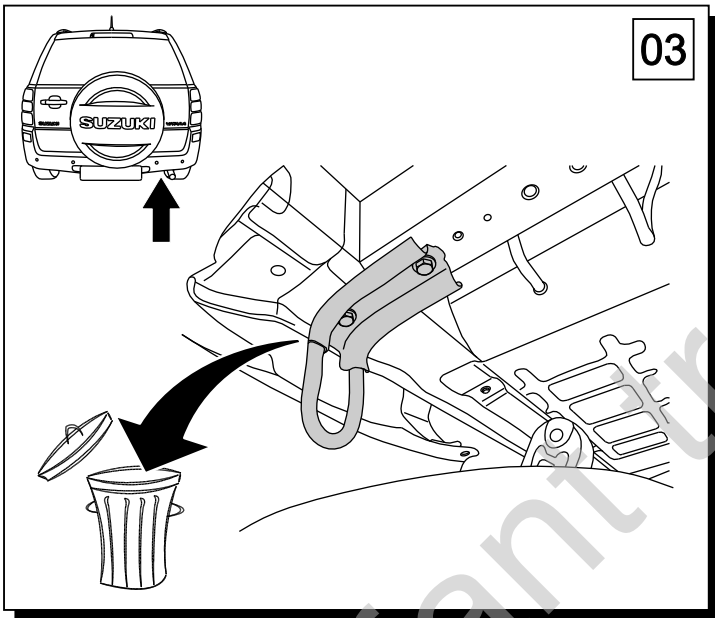
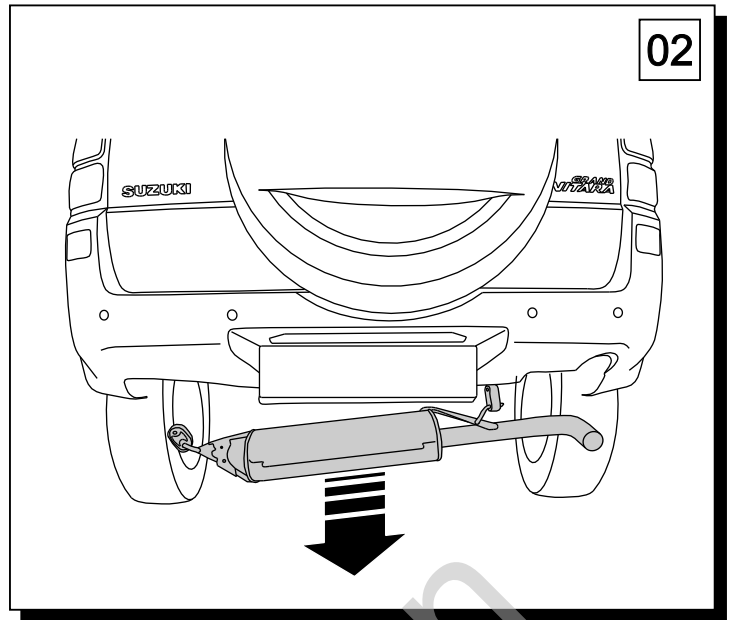
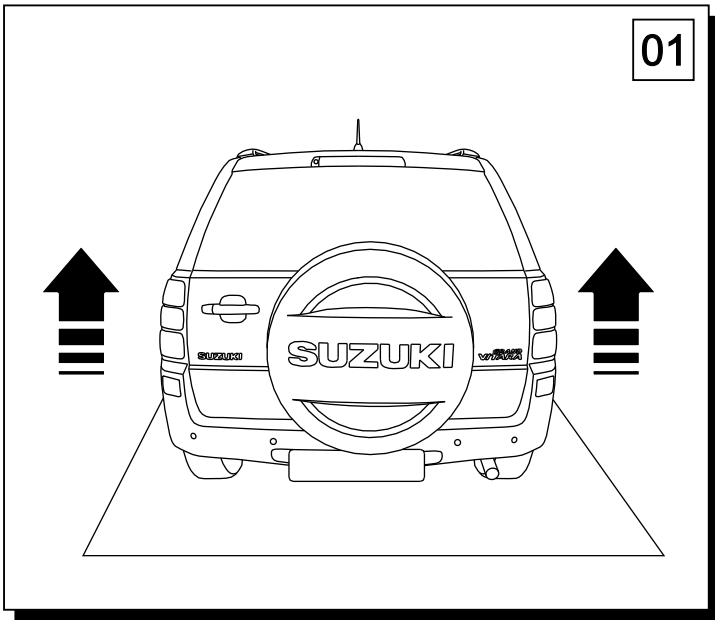
0 km →

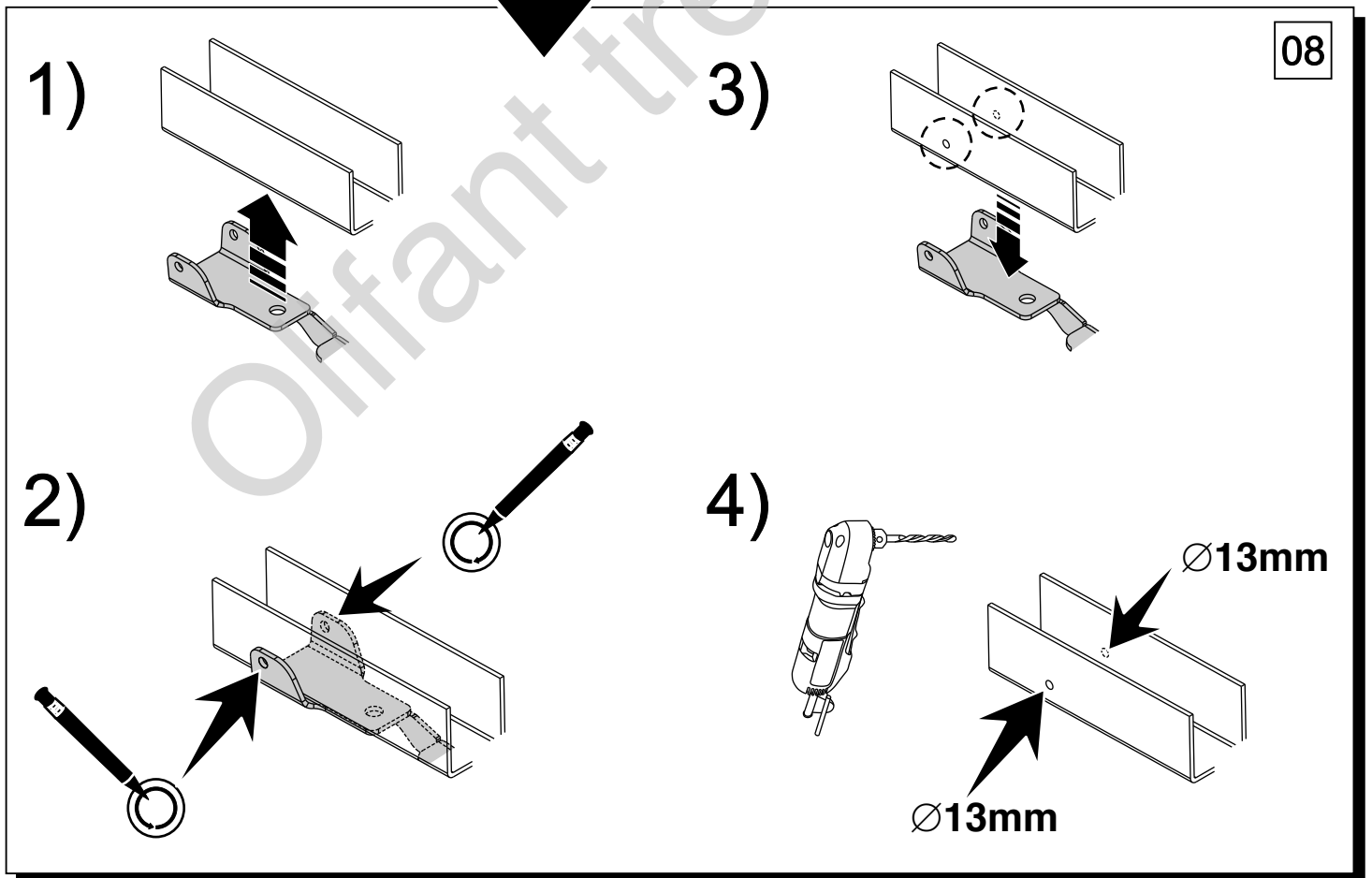
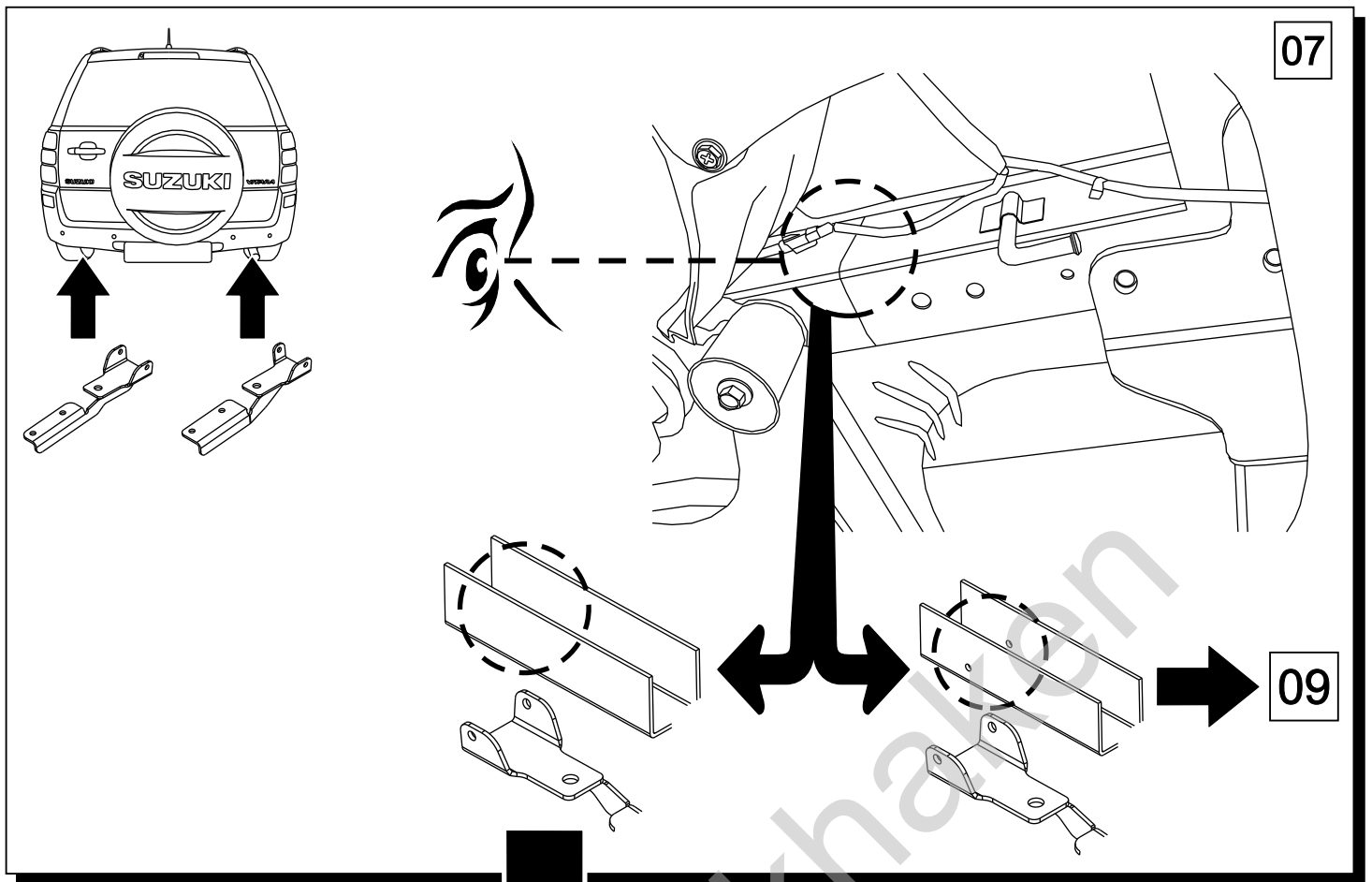


1000 km

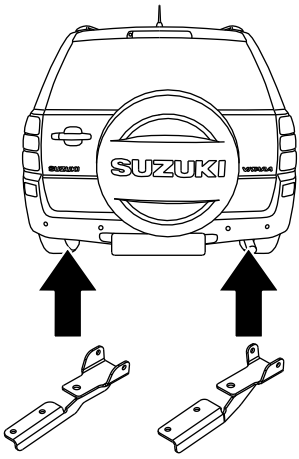


	<b>x1</b>		<b>6</b> M12x120	<b>x2</b>
			<b>7</b> M12x1,25x50	<b>x8</b>
			<b>8</b> $\varnothing$ 37x $\varnothing$ 13x3 13 (DIN 9021)	<b>x4</b>
	<b>x1</b> Art.nr-KL1W23A		<b>9</b> $\varnothing$ 13	<b>x6</b>
			<b>10</b> $\varnothing$ 12.2	<b>x10</b>
	<b>x1</b> Art.nr-BL1W23A		<b>11</b> M12	<b>x2</b>
	<b>x1</b>			
	<b>x1</b>			

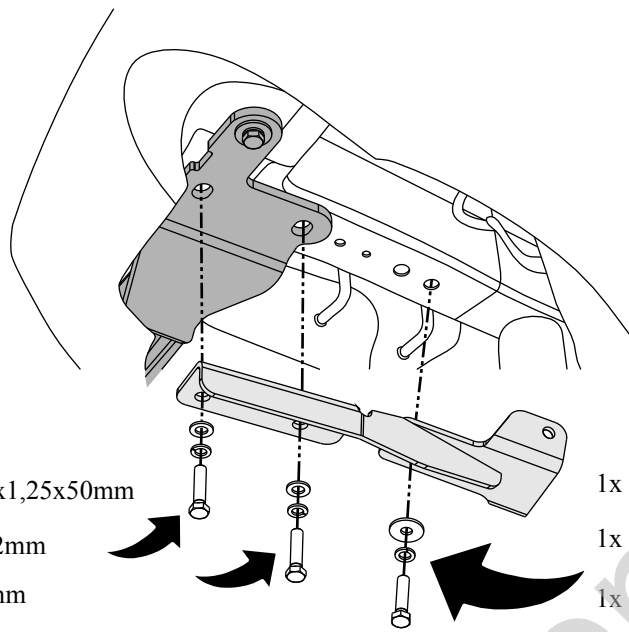




09

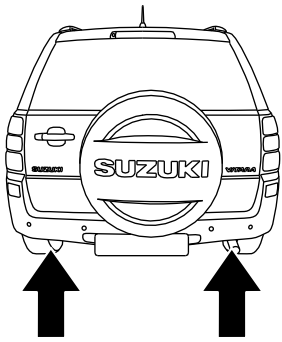


- 2x M12x1,25x50mm
- 2x ø12,2mm
- 2x ø13mm



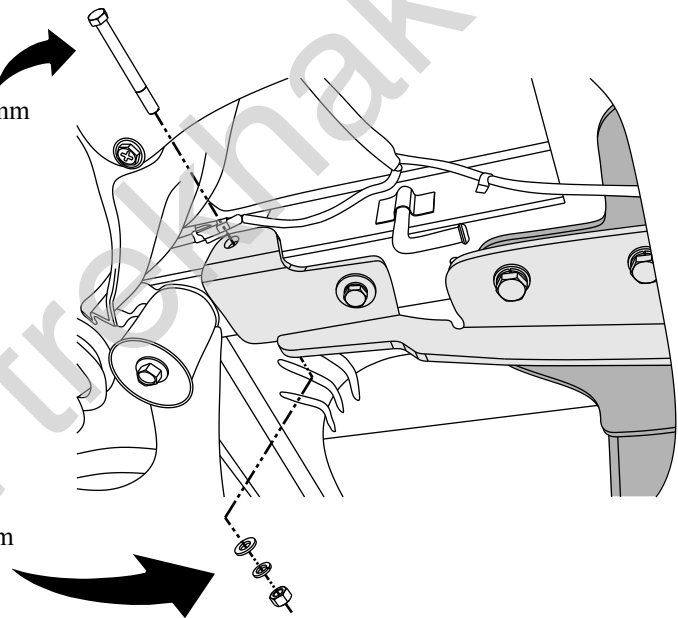
- 1x M12x1,25x50mm
- 1x ø12,2mm
- 1x ø37xø13x3mm

10



- 1x M12x120mm

- 1x ø13mm
- 1x ø12,2mm
- 1x M12



11

