

PPUH AUTO-HAK Sp.J.

Henryk & Zbigniew Nejman
ul. Słoneczna 16K 76-200 SŁUPSK
POLAND

tel/fax +48 059 8-414-414; 8-414-413

e-mail: office@autohak.com.pl

www.autohak.com.pl



AUTO-HAK



SUZUKI VITARA 5D

Cat. no:

W22A



2005 → 2015

e20

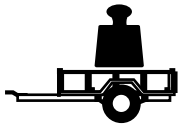
e20*94/20*1531*00



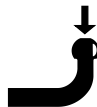
1,5h

D

10,5 kN



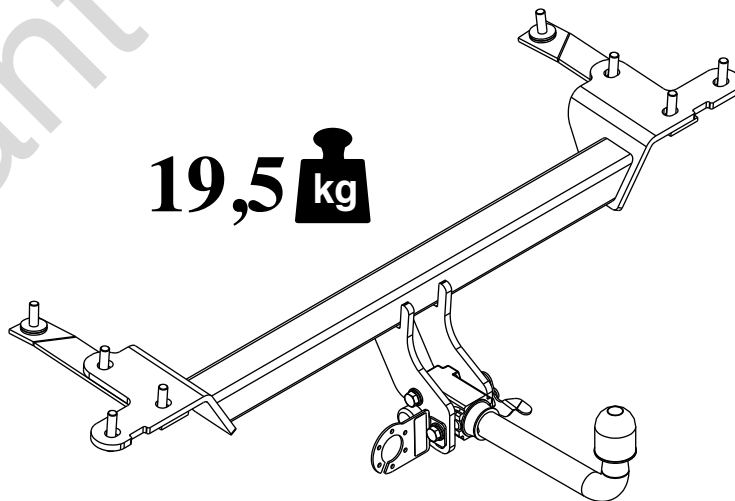
R=2000 kg



S=85 kg



19,5 kg



M6 - 11 Nm
M10 - 50 Nm
M14 - 138 Nm

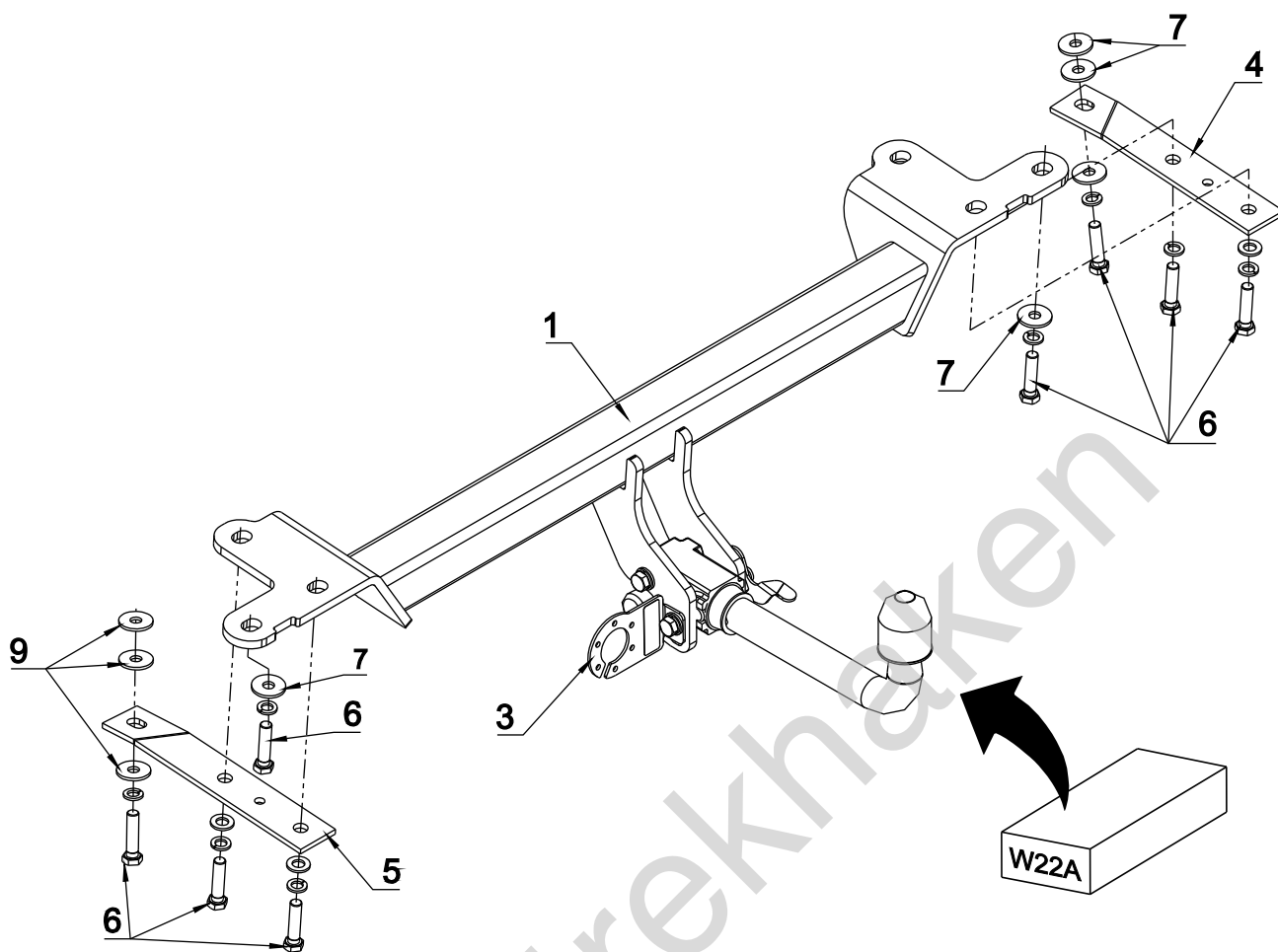
M8 - 25 Nm
M12 - 87 Nm
M16 - 210 Nm

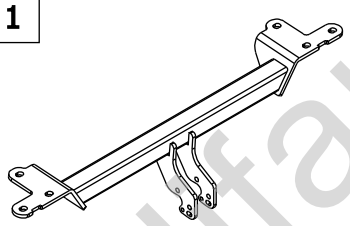
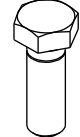
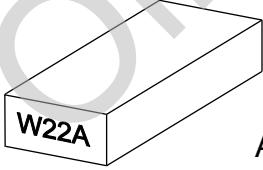

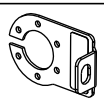


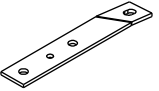

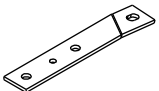


0 km →



1000 km



1		x1		6 M12x1,25x50	x8
2		x1		7 \varnothing 37x \varnothing 13x3 13 (DIN 9021)	x8
3		x1		8 \varnothing 13	x4
	Art.nr-KL1W22A			9 \varnothing 12.2	x8
4		x1		10 M12	x2
5		x1			

